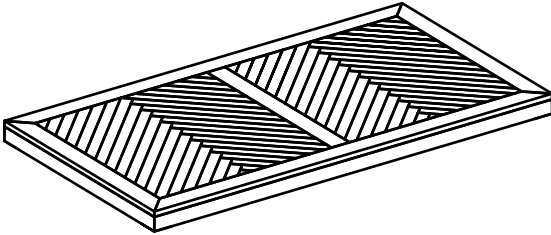


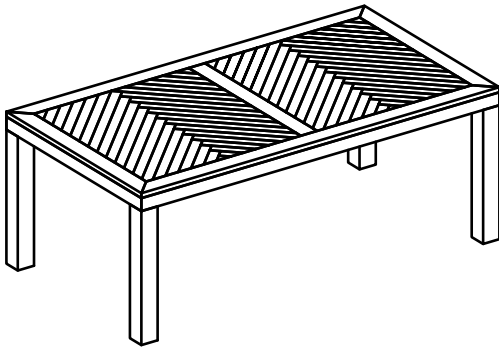
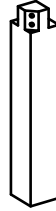
DINING TABLE ASSEMBLY INSTRUCTIONS

PARTS PACKING CONFIGURATIONS





A. TABLE TOP (1 PC)

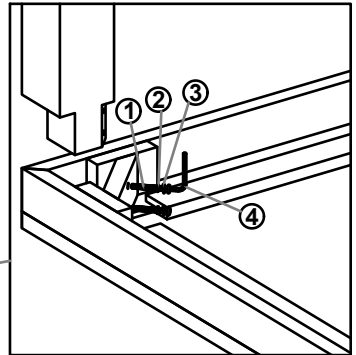
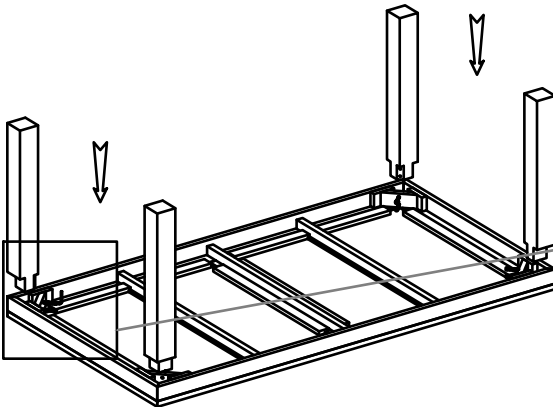


B. LEG (4 PCS)



HARDWARE LIST:

No.	Description	Photo	Quantity
1	ALLEN BOLT (M6X90)		8 PCS
2	FLAT WASHERS (M8)		8 PCS
3	SPRING WASHERS (M8)		8 PCS
4	ALLEN KEY		1 PC



DINING TABLE ASSEMBLY INSTRUCTIONS

DINING TABLE FULLY ASSEMBLED :

