

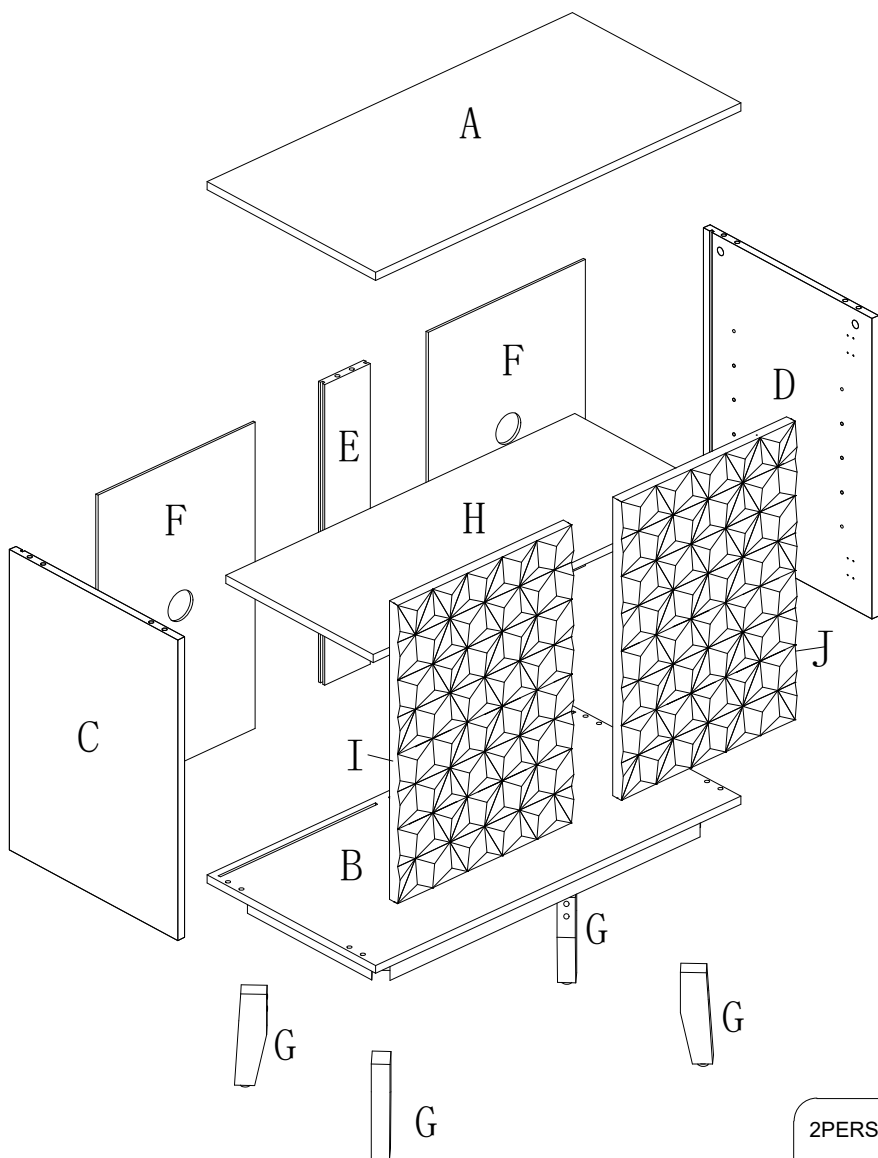
NOTE:

This brochure contains IMPORTANT safety info. Please read and keep for future reference.

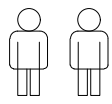
MAINTAINANCE AND WARNING

- 1.Keep furniture away from heat sources.
- 2.Do not clean furniture with harsh cleaner or polishes.Do not use detergents,solvents,abrasives,spray packs or leather cleaner. Use non-color mild soa with warm water to clean spills(Mix 1:10 soap to water).
- 3.Do not place furniture under direct sunlight,material will possibly fade over time.
- 4.Do not use on site dry cleaning machine.Children should not climb or jump on the furniture.
- 5.Do not write on furniture that is not protectedby a padded barrier.
- 6.Not for commercial use,only for residential use.

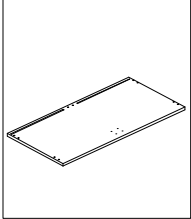
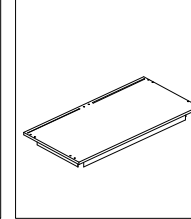
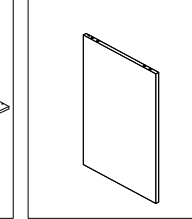
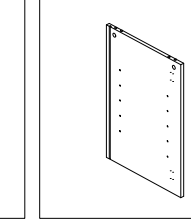
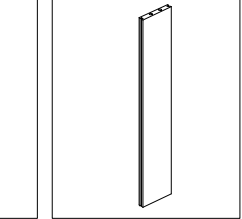
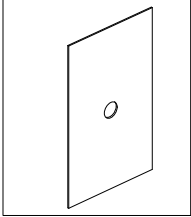
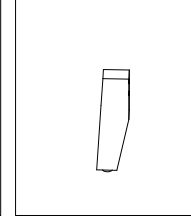
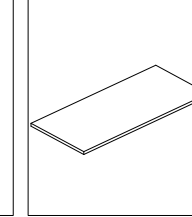
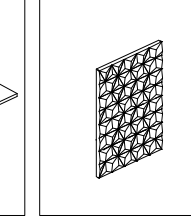
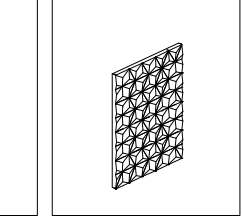







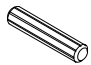



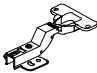



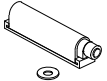

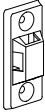

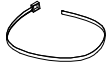
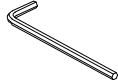
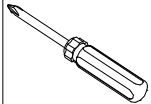
2 PERSONENS






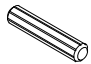




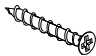

PARTS LIST 1

| | | | | |
|--|---|---|---|--|
| A x1  | B x1  | C x1  | D x1  | E x1  |
| F x2  | G x4  | H x1  | I x1  | J x1  |

HARDWARE LIST

| | | | | | | | | | | | |
|---|----|---|----|---|----|---|----|---|-----|--|----|
| #1 | x6 | #2 | x6 | #3 | x5 | #4 | x9 | #5 | x42 | #6 | x8 |
|  | |  | |  | |  | |  | |  | |
| φ6*35mm | | φ15*11mm | | M7*40mm | | φ8*30mm | | M3.5*14mm | | M6*35mm | |
| #7 | x8 | #8 | x4 | #9 | x8 | #10 | x4 | #11 | x6 | #12 | x2 |
|  | |  | |  | |  | |  | |  | |
| M8 | | | | | | φ5*17mm | | φ21*0.1mm | | | |
| #13 | x4 | #14 | x4 | #15 | x4 | #16 | x2 | #17 | x1 | #18 | x1 |
|  | |  | |  | |  | |  | |  | |
| M4*35mm | | | | φ8*30mm | | | | M4 | | | |

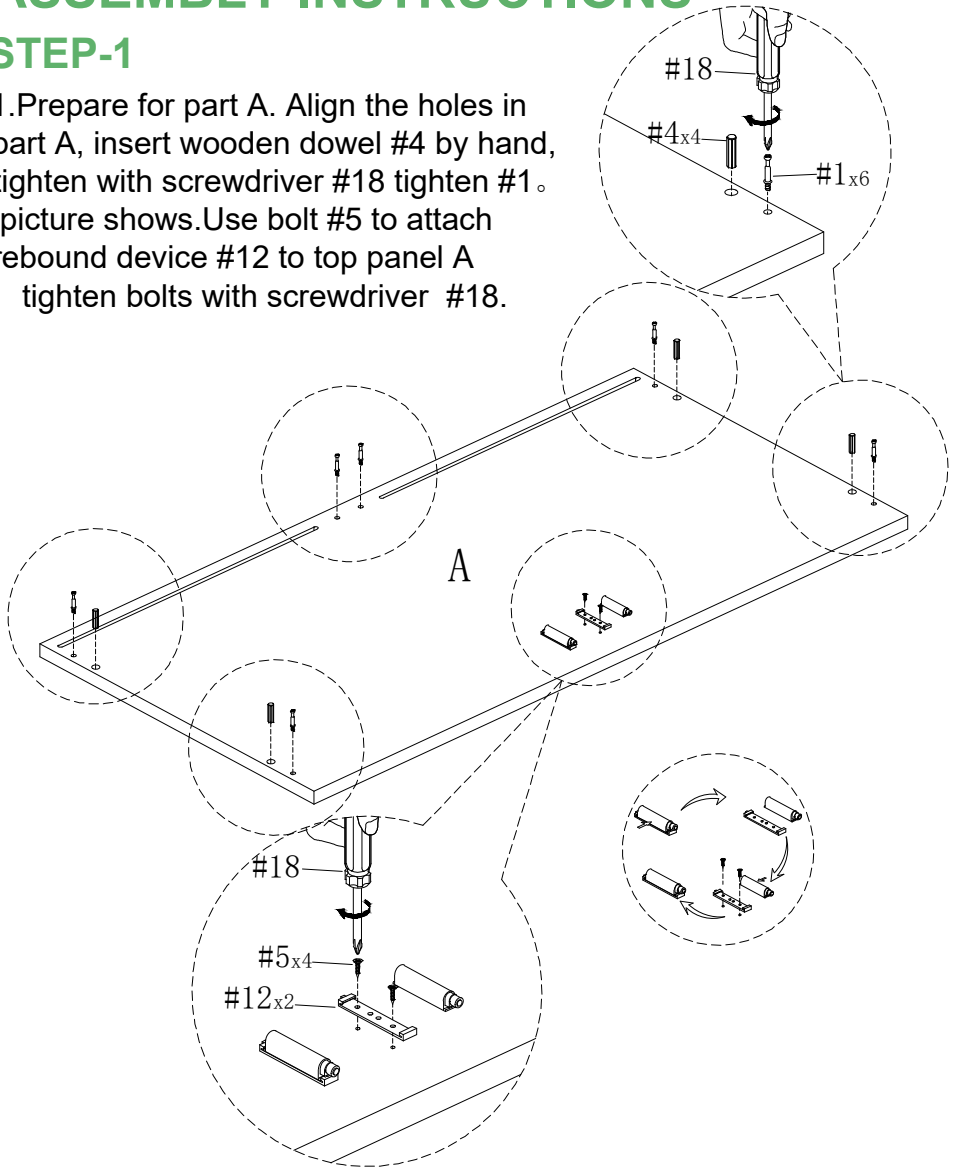
HARDWARE SPARE LIST


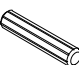

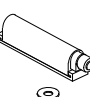
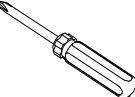
| | | | | | | | | | | | |
|---|----|---|----|---|----|---|----|---|----|--|----|
| #1 | x1 | #2 | x1 | #3 | x1 | #4 | x1 | #5 | x4 | #6 | x1 |
|  | |  | |  | |  | |  | |  | |
| φ6*35mm | | φ15*11mm | | M7*40mm | | φ8*30mm | | M3.5*14mm | | M6*35mm | |
| #7 | x1 | #11 | x1 | #13 | x1 | #15 | x1 | | | | |
|  | |  | |  | |  | | | | | |
| M8 | | φ21*0.1mm | | M4*35mm | | φ8*30mm | | | | | |

ASSEMBLY INSTRUCTIONS

STEP-1

1.Prepare for part A. Align the holes in part A, insert wooden dowel #4 by hand, tighten with screwdriver #18 tighten #1. .picture shows.Use bolt #5 to attach rebound device #12 to top panel A , tighten bolts with screwdriver #18.

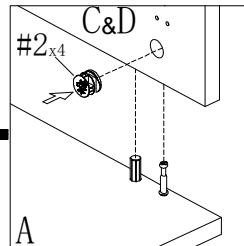
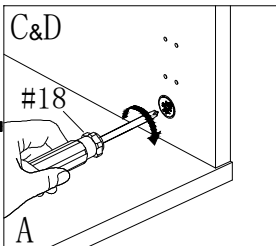
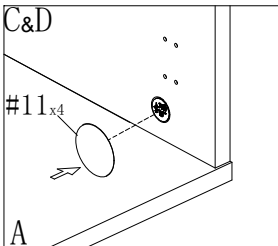
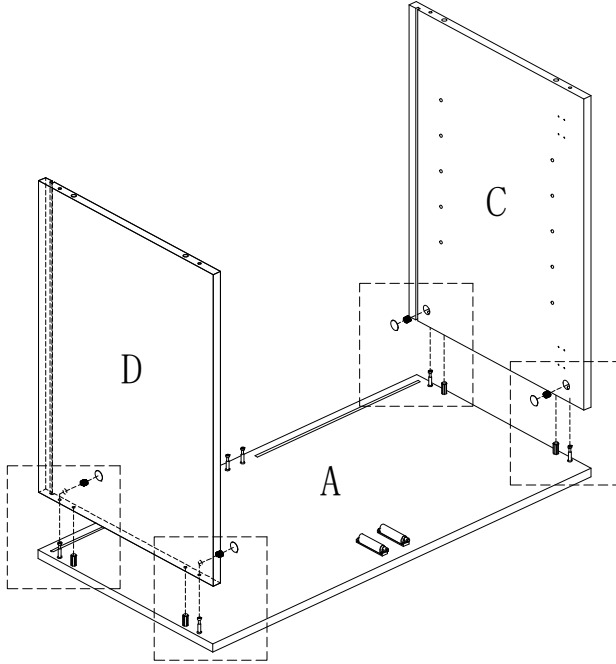




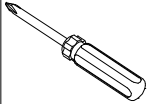
| | | | | | | | | | |
|---|----|---|----|---|----|---|----|--|----|
| #1 | x6 | #4 | x4 | #5 | x4 | #12 | x2 | #18 | x1 |
|  | |  | |  | |  | |  | |
| φ6*35mm | | φ8*30mm | | M3.5*14mm | | | | | |

ASSEMBLY INSTRUCTIONS

STEP-2

1. Connect the part A with part C&D. align the hole in the part C&D, insert the bolt #1 and wooden dowel #4 in part A into part C&D. insert cam bolt #2 into the corresponding hole of side panel C&D, and tighten the nuts #2 with a screwdriver #18. After installation, cover the screw holes with #11. Make sure the groove is in same side as picture show.

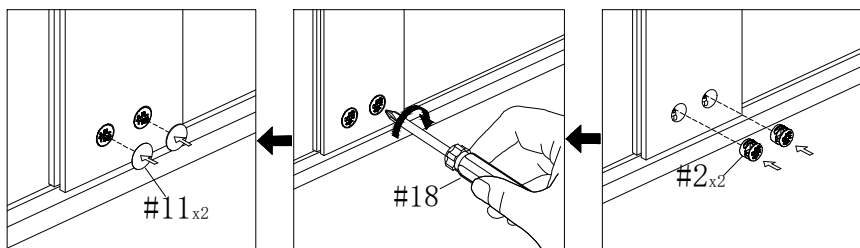
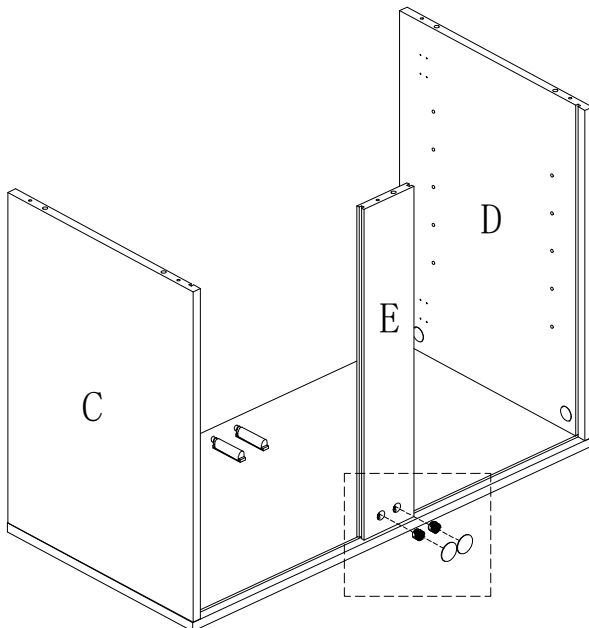


| | | | | | |
|---|----|---|----|--|----|
| #11 | x4 | #2 | x4 | #18 | x1 |
|  | |  | |  | |
| φ21*0.1mm | | φ15*11mm | | | |

ASSEMBLY INSTRUCTIONS

STEP-3

1. Connect the part A with part E. align the hole in the part E, insert the bolt #1 and wooden dowel #4 in part A into part E. insert cam bolt #2 into the corresponding hole of side panel E, and tighten the nuts #2 with a screwdriver #18. After installation, cover the screw holes with #11. Make sure the groove is in same side as picture show.

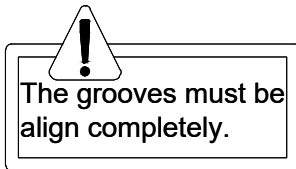
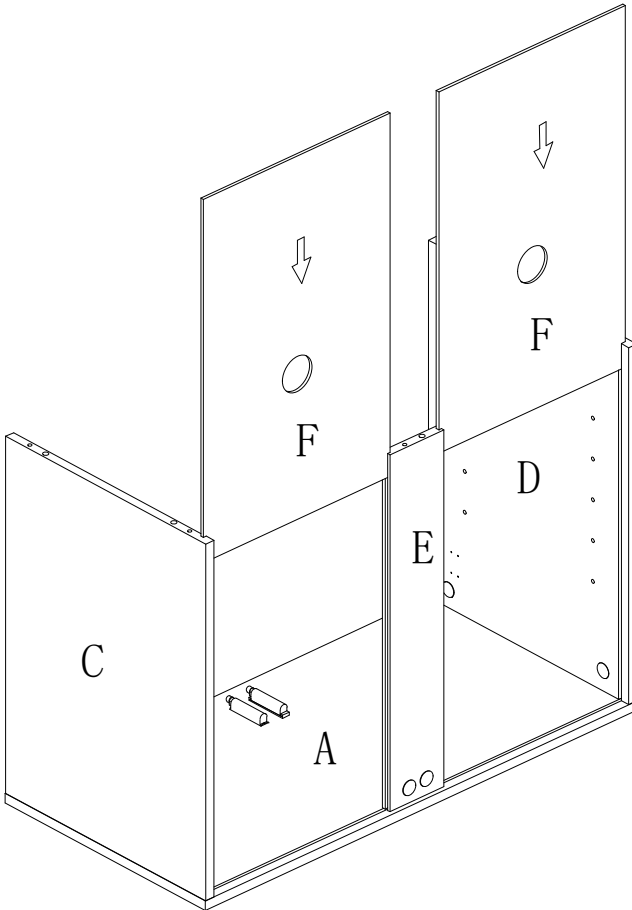


| | | | | | |
|-----------|----|----------|----|-----|----|
| #11 | x2 | #2 | x2 | #18 | x1 |
| | | | | | |
| φ21*0.1mm | | φ15*11mm | | | |

ASSEMBLY INSTRUCTIONS

STEP-4

1. slide in the part F into the groove in part C,E and E,D . make sure they are also in groove in part A.

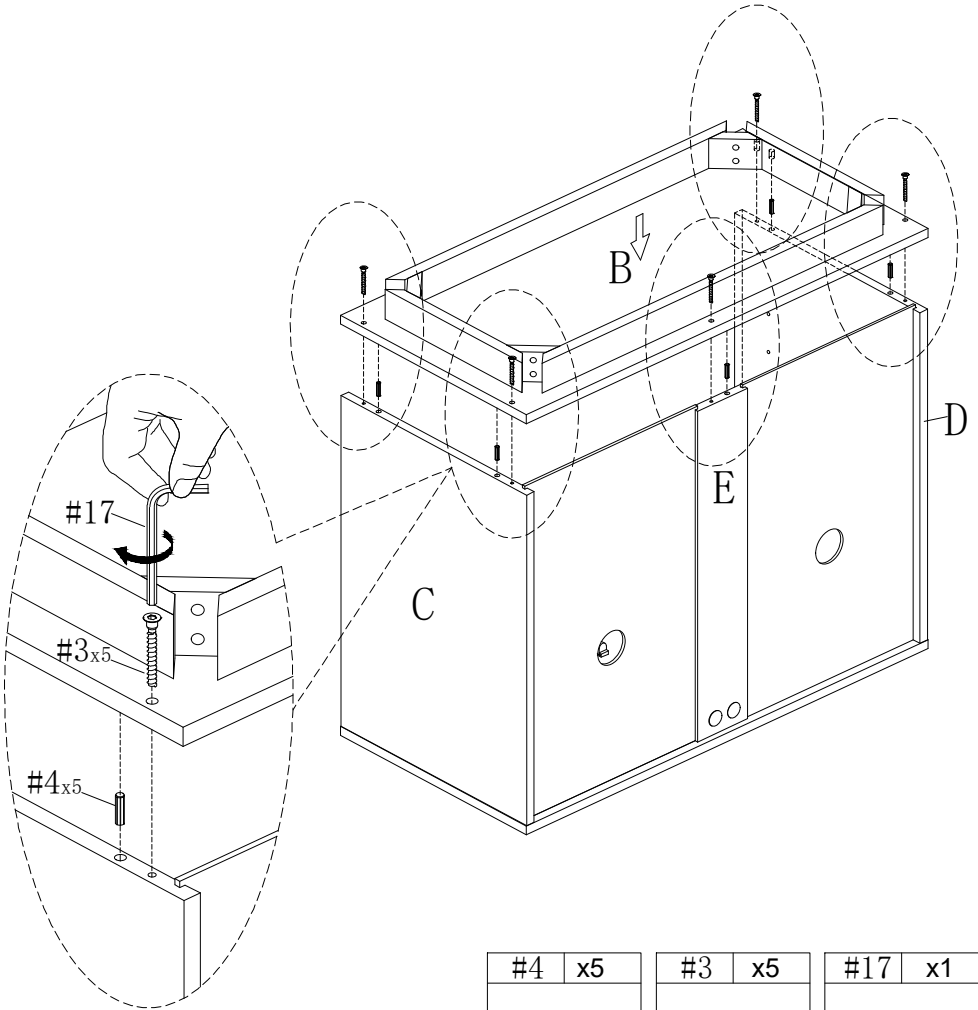


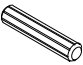

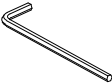
The grooves must be align completely.

ASSEMBLY INSTRUCTIONS

STEP-5

Insert the wooden dowel #4 into the part C&D&E as the picture show. Connect the part B the pre-assembled unit in step 4. Then align the holes in part B, Insert screw #3 and push it down so that it connects to parts C&D&E. Next, and tighten the screw #3 with an Allen key #17.

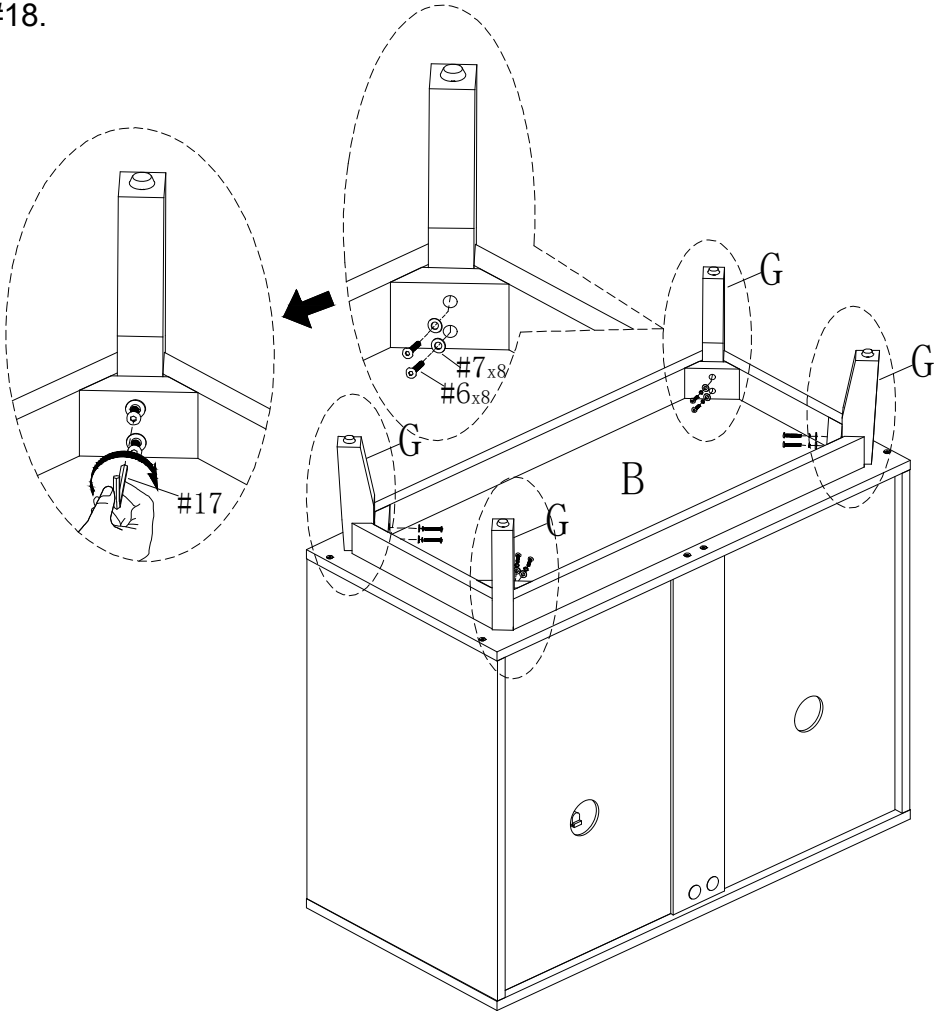




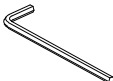
| | | | | | |
|---|----|---|----|--|----|
| #4 | x5 | #3 | x5 | #17 | x1 |
|  | |  | |  | |
| φ8*30mm | | M7*40mm | | M4 | |

ASSEMBLY INSTRUCTIONS

STEP-6

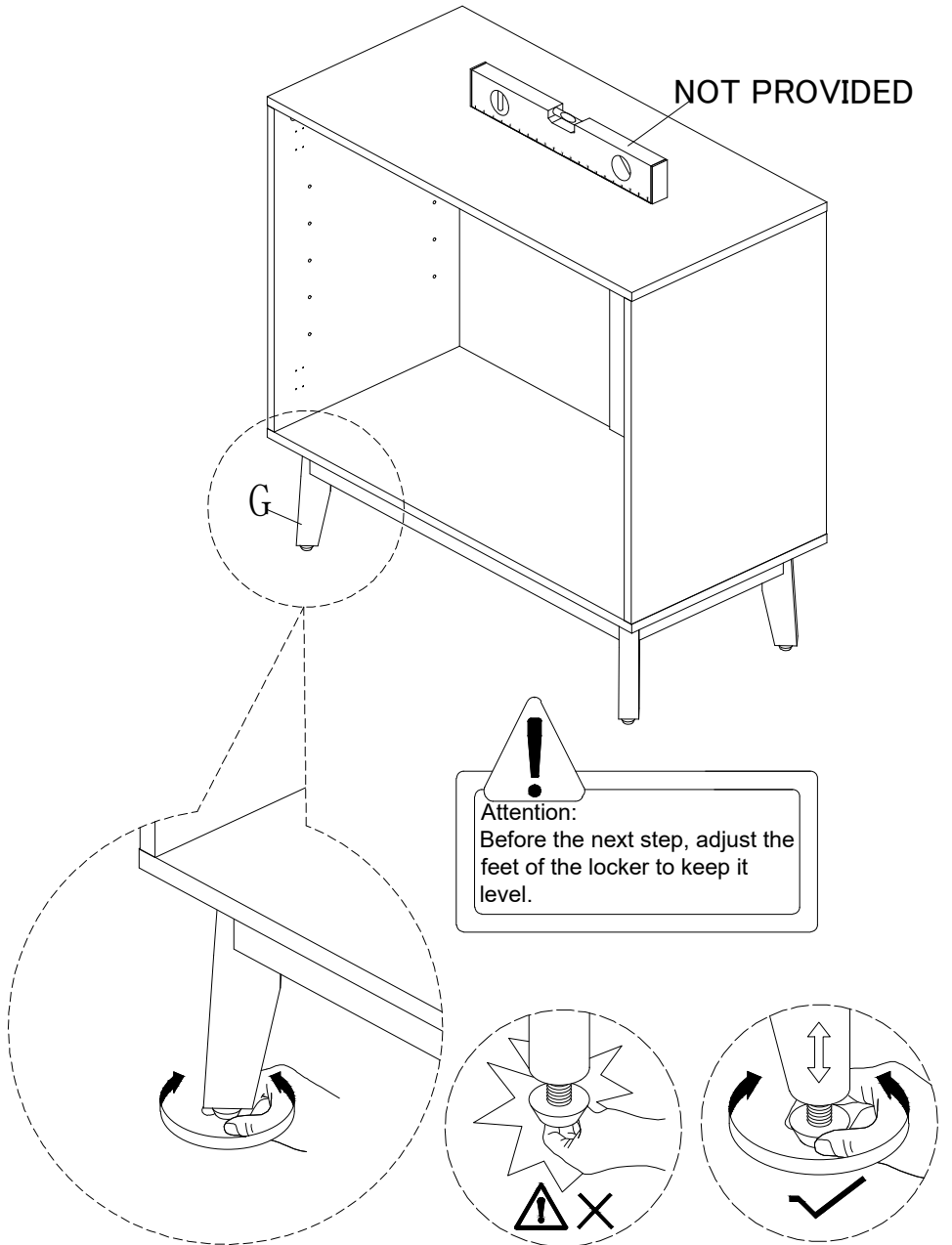
1.install leg N on of part M , ensure the corresponding holes are aligned and fix with screw #6, then tighten the screw with an Allen key #18.



| | | | | | |
|---|----|---|----|--|----|
| #7 | x8 | #6 | x8 | #17 | x1 |
|  | |  | |  | |
| M8 | | M6*35mm | | M4 | |

ASSEMBLY INSTRUCTIONS

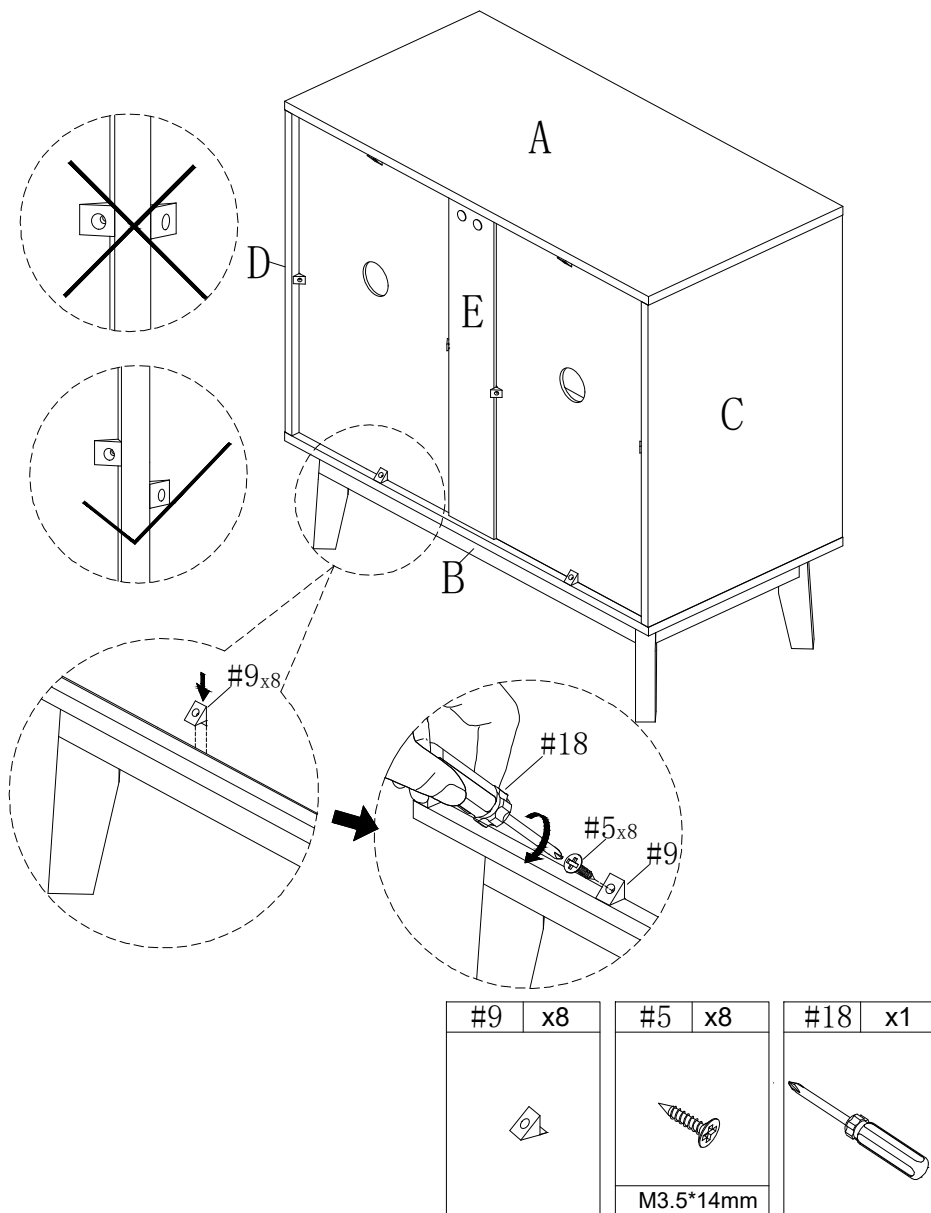
STEP-7



ASSEMBLY INSTRUCTIONS

STEP-8

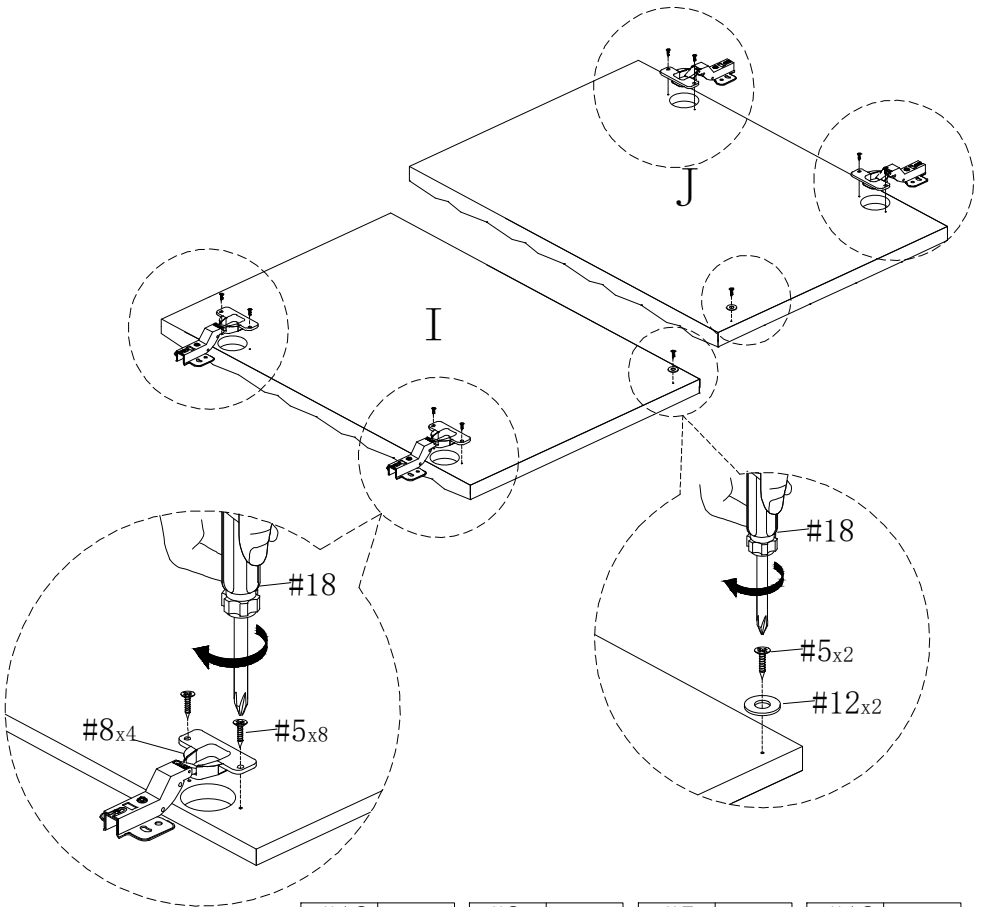
1. Insert hardware #9 into part F as shown, screw in screw #5 using screwdriver #18 and tighten fully.

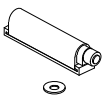
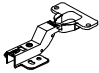

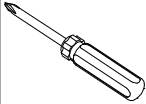


ASSEMBLY INSTRUCTIONS

STEP-9

1. Use screw #5 to attach the hinges #8 to door panel (I&J), tighten screws #5 with screwdriver #19. Use bolt #5 to attach rebound device #12 to door panel (I&J), tighten bolts with screwdriver #18.

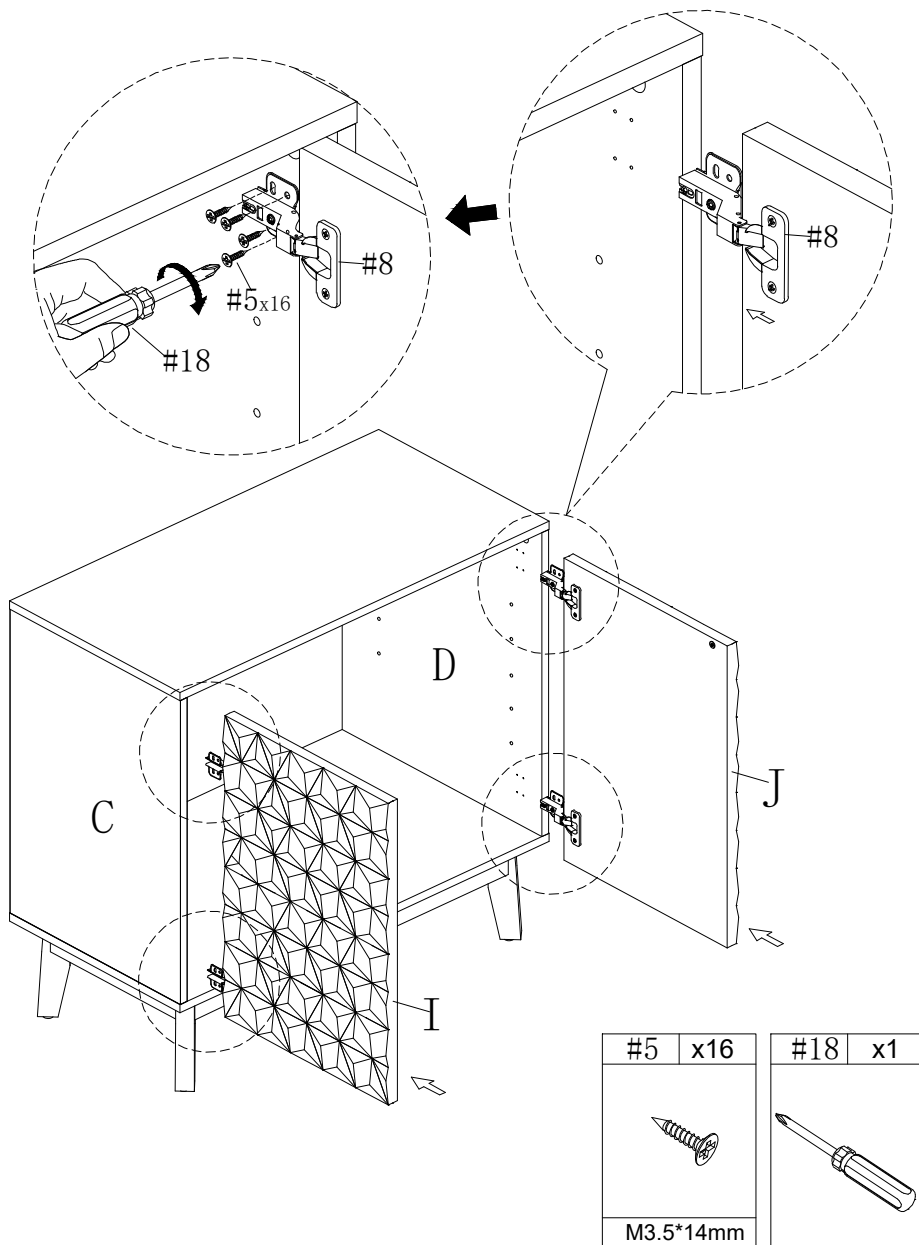


| | | | | | | | |
|---|----|---|----|--|-----|--|----|
| #12 | x2 | #8 | x4 | #5 | x10 | #18 | x1 |
|  | |  | |  M3.5*14mm | |  | |

ASSEMBLY INSTRUCTIONS

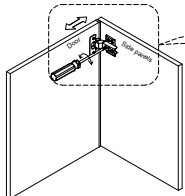
STEP-10

1. Use screw #5 to attach left door (I) and right door (J) to pre-assemble unit at step 8, tighten screw #5 with screwdriver #18

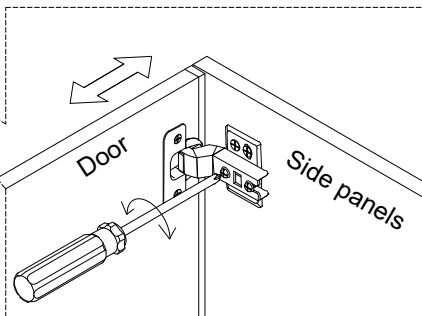


ASSEMBLY INSTRUCTIONS

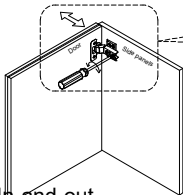
Concealed hinges are three-way adjustable:



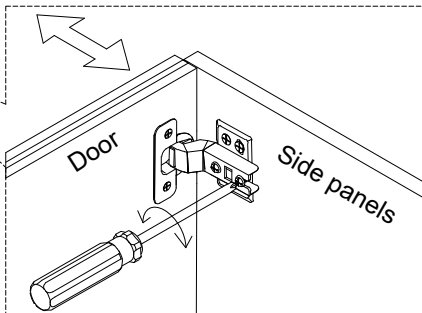
Horizontal
by screw adjustment!



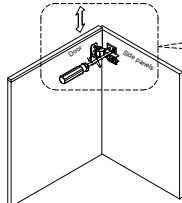
Concealed hinges are three-way adjustable:



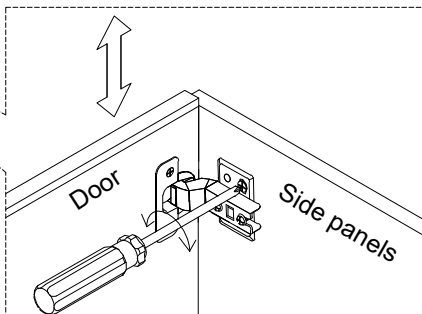
In-and-out
by loosening the hinge arm
mounting screw or via cam
adjustment!



Concealed hinges are three-way adjustable:



Vertical via slots in
the mounting plate
or via cam adjustment!



Hinge adjustment method

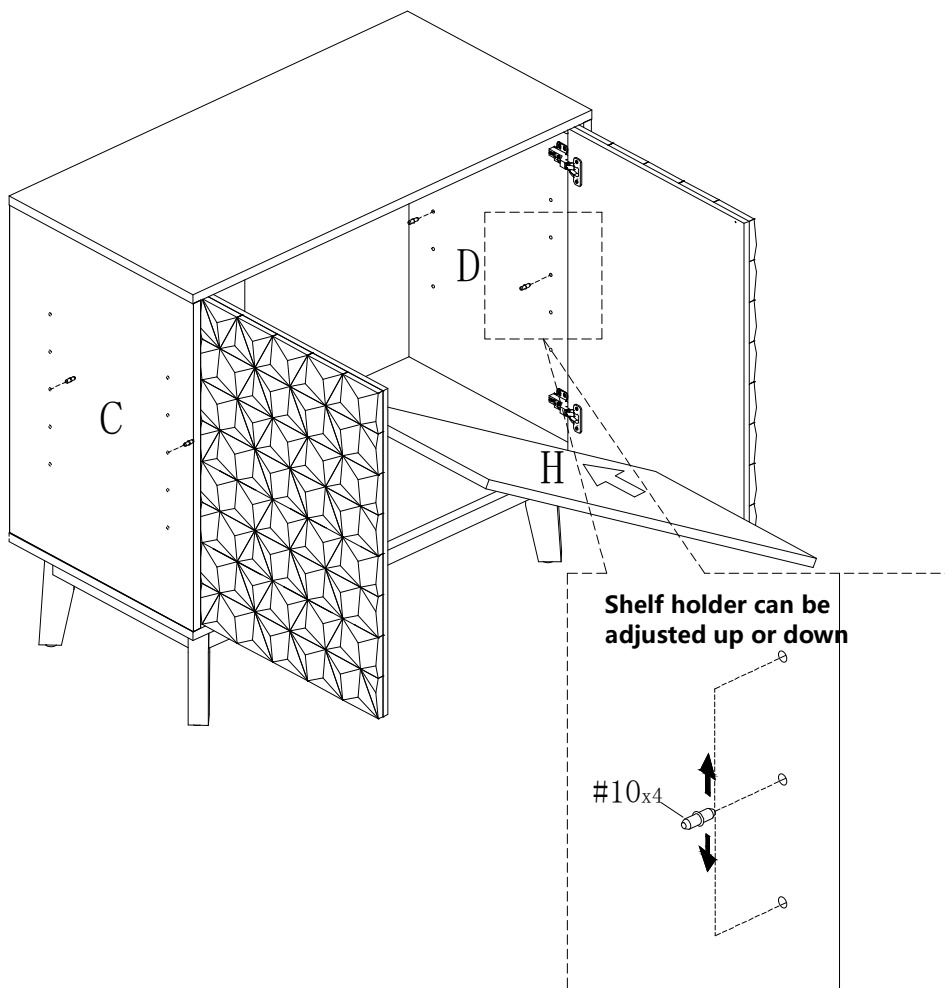



Video for door adjustment

ASSEMBLY INSTRUCTIONS

STEP-11

1. Insert shelf pin #10 into pre-assemble unit at step 10 .attach adjustable shelf H to pin #10.

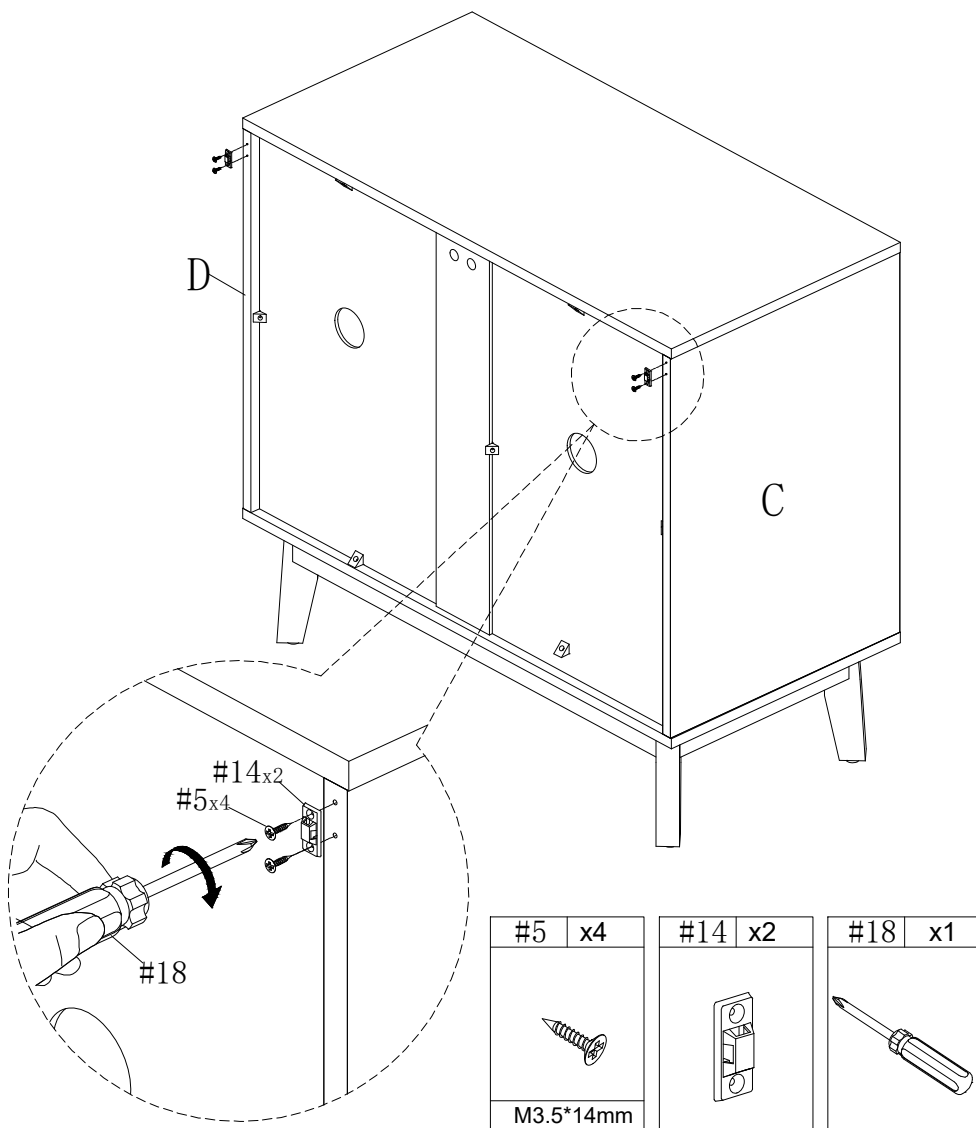


| | |
|--|----|
| #10 | x4 |
|  | |
| φ5*17mm | |

ASSEMBLY INSTRUCTIONS

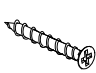


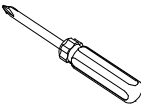
STEP-12

1. Use screw #5 to attach part #14 to side panel (D&C), tighten screw #5 with screwdriver #18.

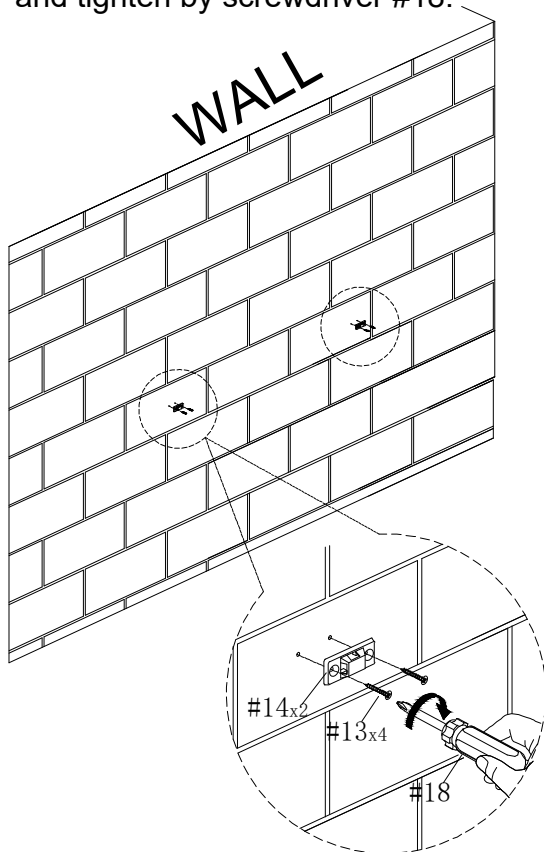


ASSEMBLY INSTRUCTIONS

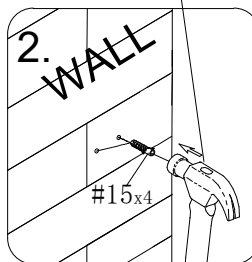
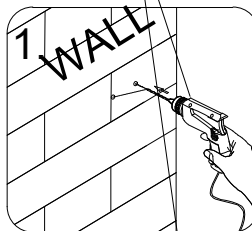
STEP-13

| | | | |
|---|---|---|--|
| #13 x4 | #14 x2 | #15 x4 | #18 x1 |
|  |  |  |  |
| M4*35mm | | φ8*30mm | |

1. Install the anti-collapse device.
2. Mark the position on the wall, that corresponds to the location of part #15 on the side panel (C&D); Drill and insert the expandable screw #15 by hammer.
3. Assemble the part #14 to the wall. Align the hole in the part #14 with the expandable screw #15, use screw #13 to attach it and tighten by screwdriver #18.

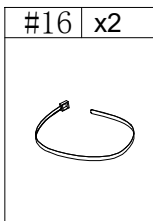


NOT PROVIDED

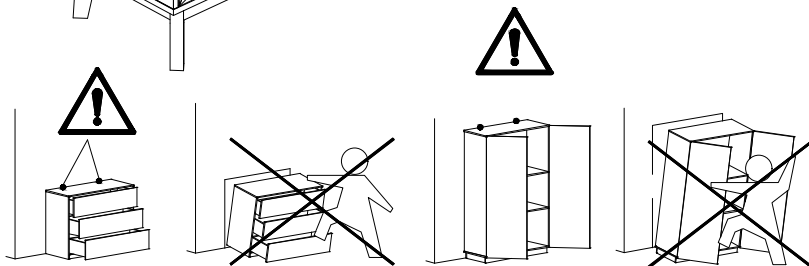
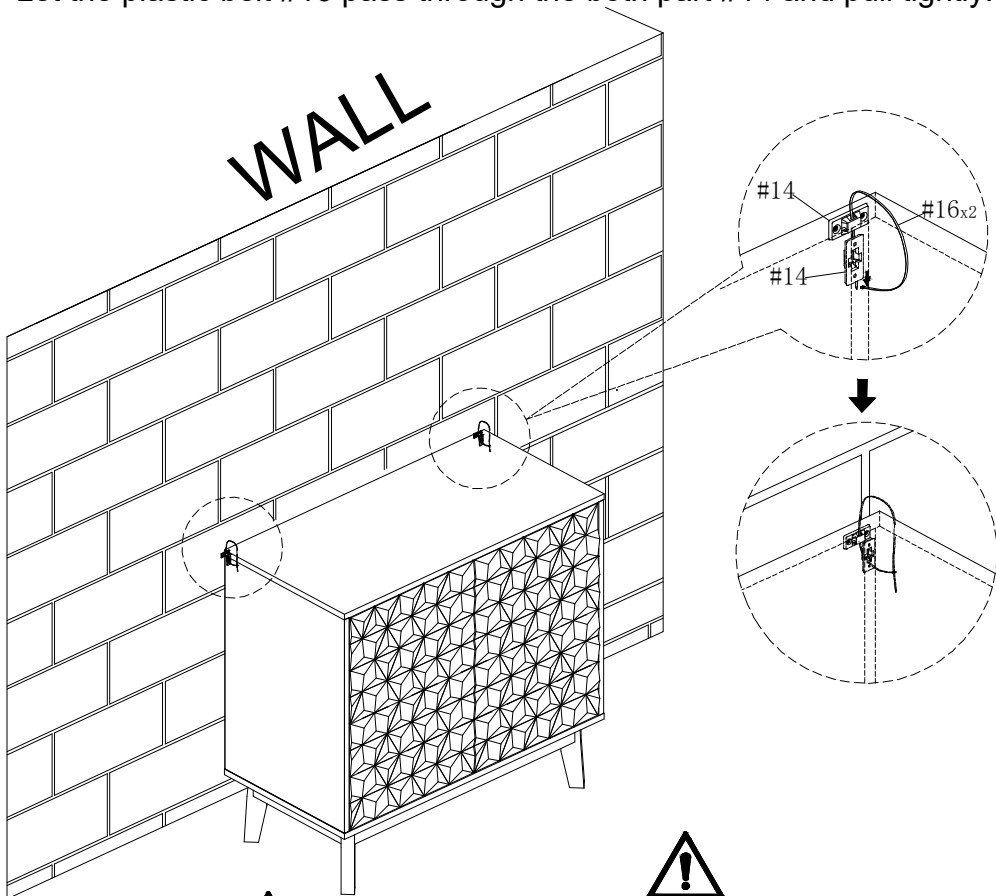


ASSEMBLY INSTRUCTIONS

STEP-14



Let the plastic belt #16 pass through the both part #14 and pull tightly.



WARRANTY

1. We strive to offer high-quality products, and we also try our best to satisfy each and every customer that orders from us with product or service as needed.
2. We provide 30 days warranty starting from the time you receive the item. Each customer must provide a record of their order such as the order number, or item receipt for any items that are out of the warranty period you may also still receive.
3. Replacement parts by purchasing them with our company if they are available.

Appreciate your purchasing from us.
Pop up your life by our furniture piece!