

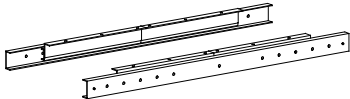

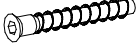

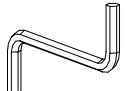



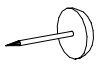
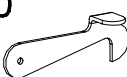


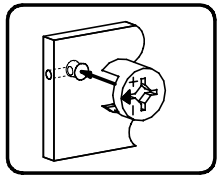
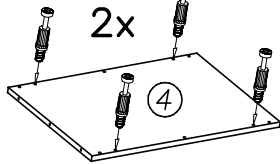


I10	B6
	
x6	x10
H13	G10
	
x1	x34
A1	K5
	
7 x 50 x20	x14
W2	I11
	
x1	x10
K1	B7
	
x14	8 x 30 x20
P4	J10
	
x6	x4
G40	G10
	
4 x 15 x8	6,3 x 13 x34

I



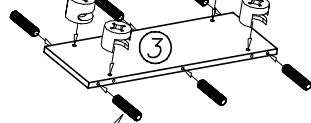
K5



2x

4

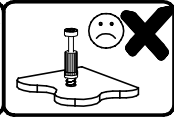
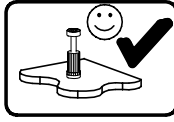
2x



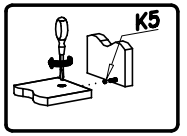
K1

3

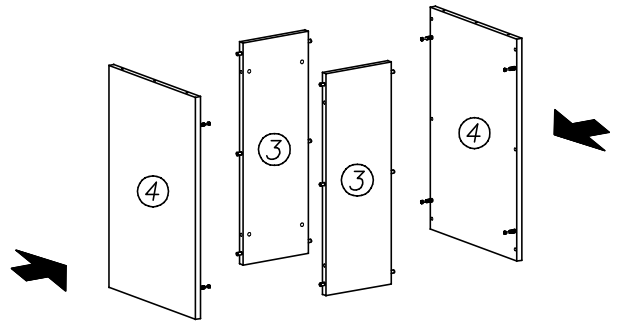
B7



II



K5



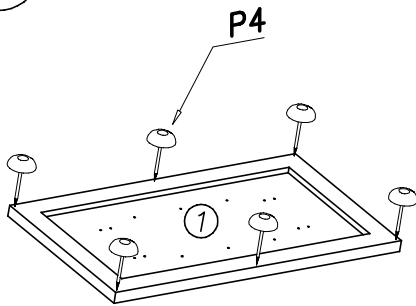
4

3

3

4

III

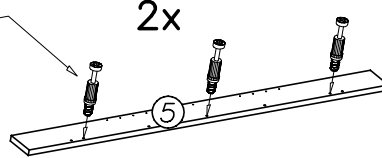


P4

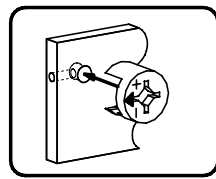
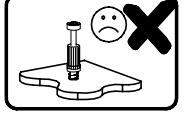
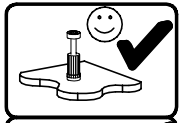
1

K5

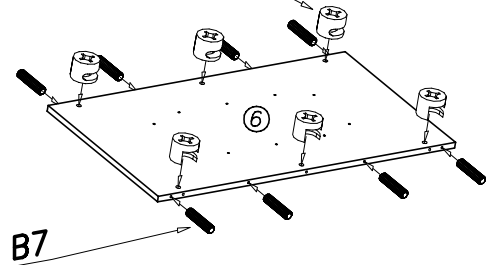
2x



5



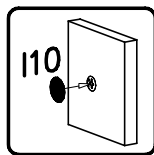
K1



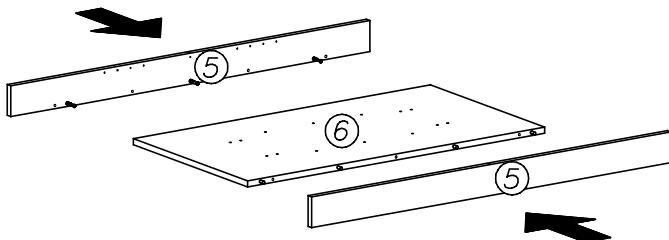
6

B7

IV



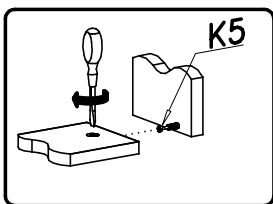
110



5

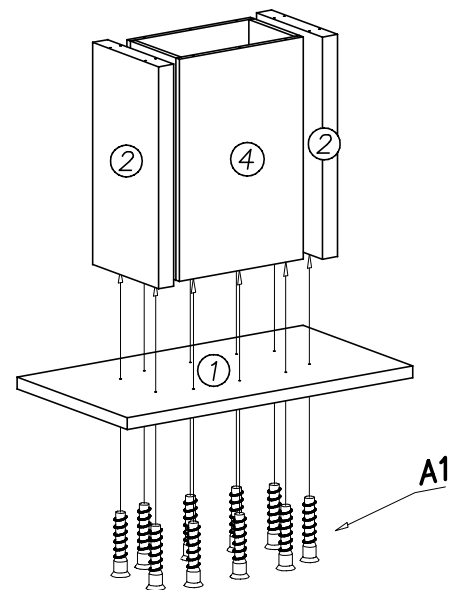
6

5



K5

V



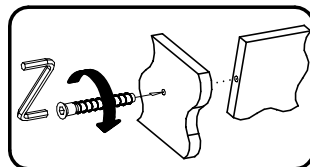
2

4

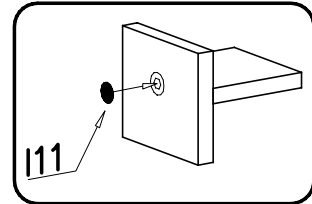
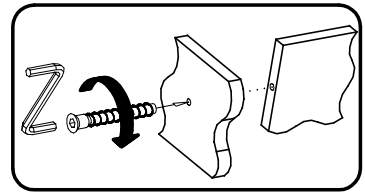
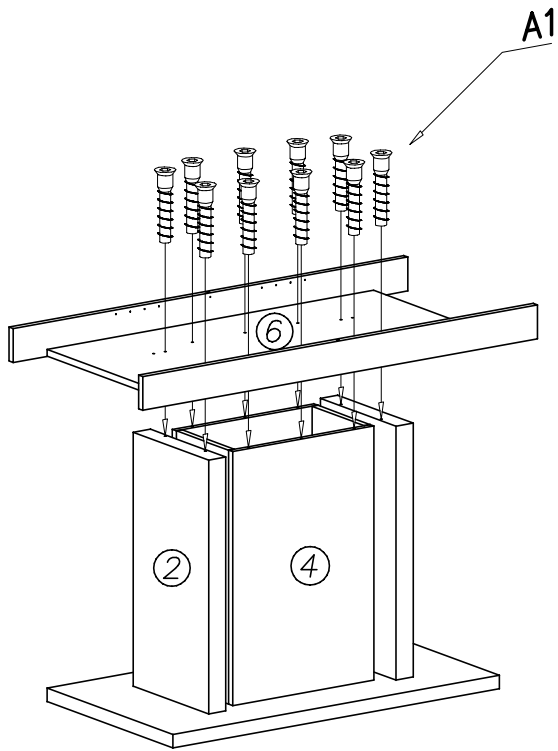
2

7

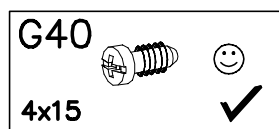
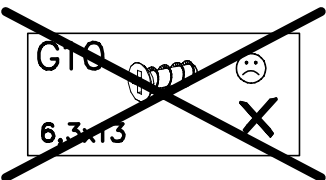
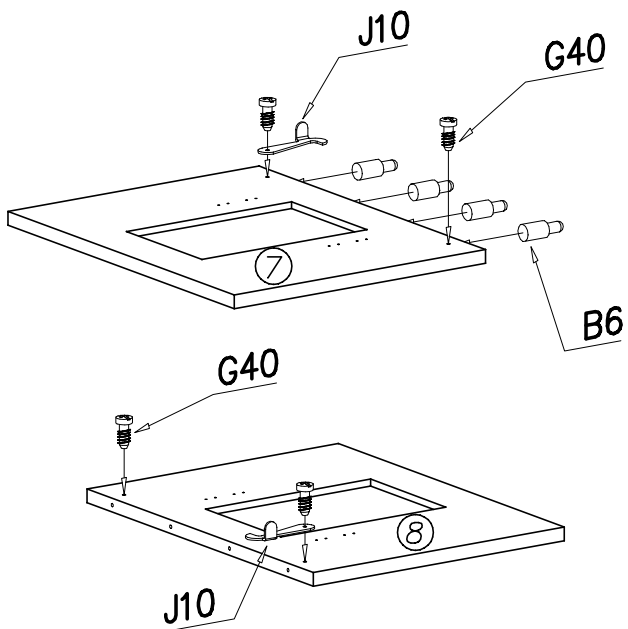
A1



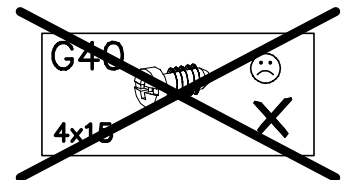
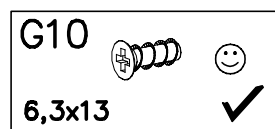
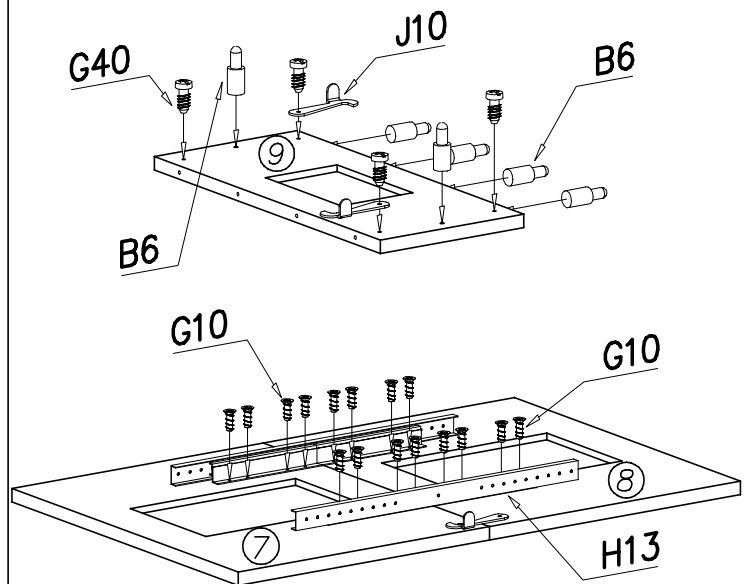
VI



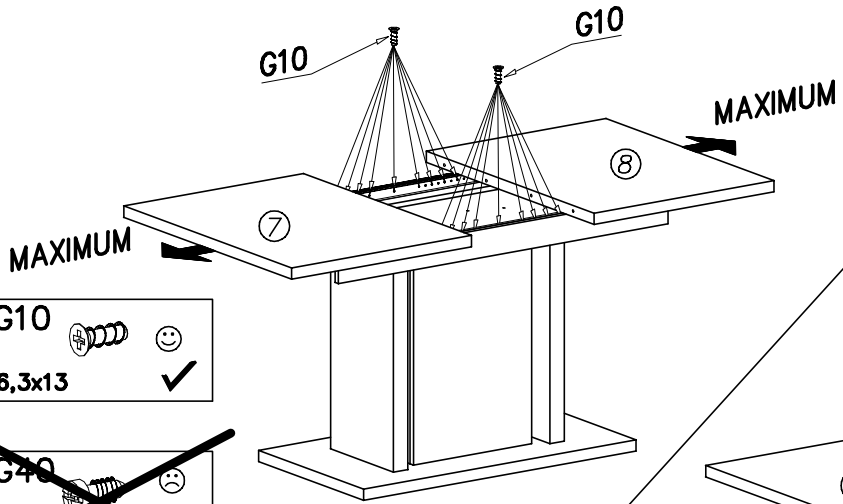
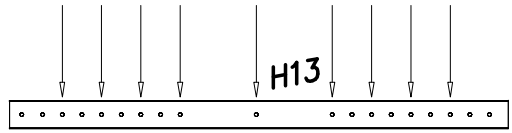
VII



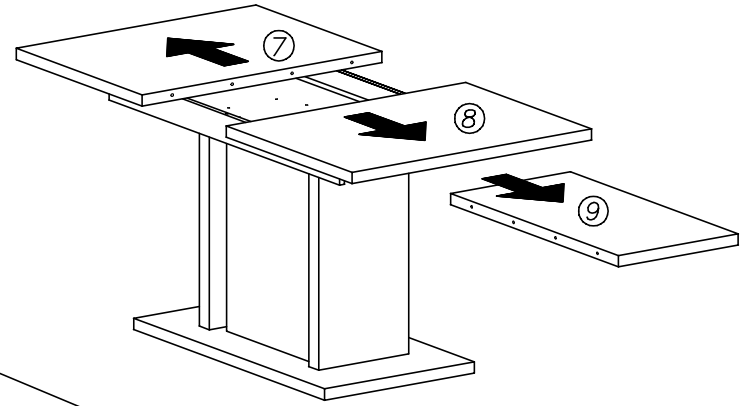
VIII



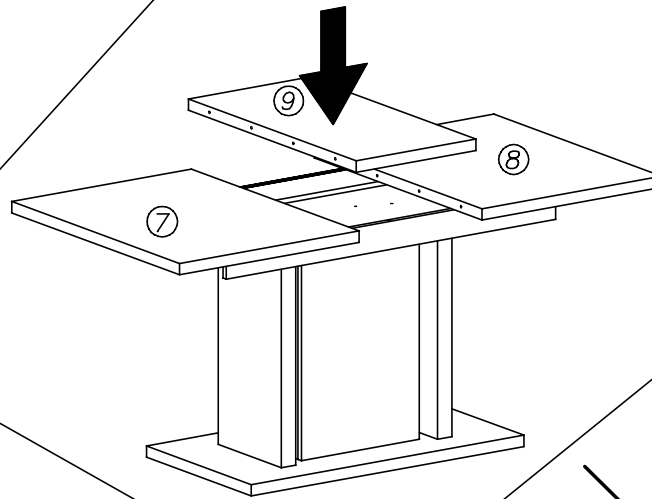
IX



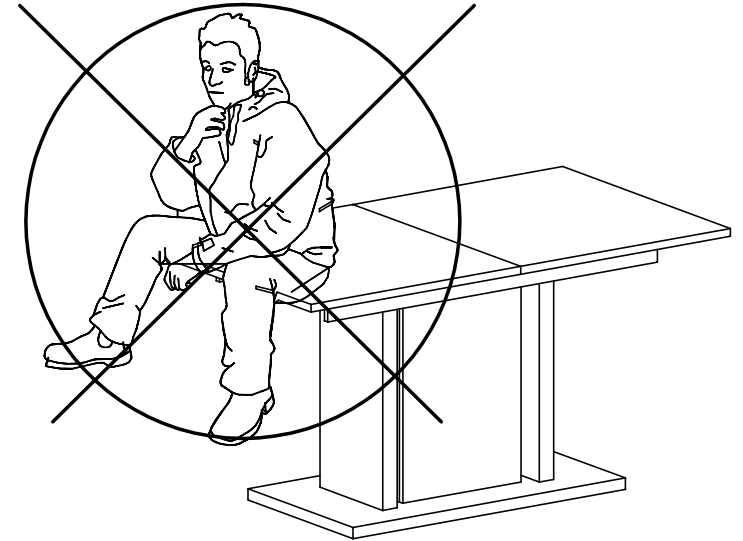
X



XI



XIII



XII

