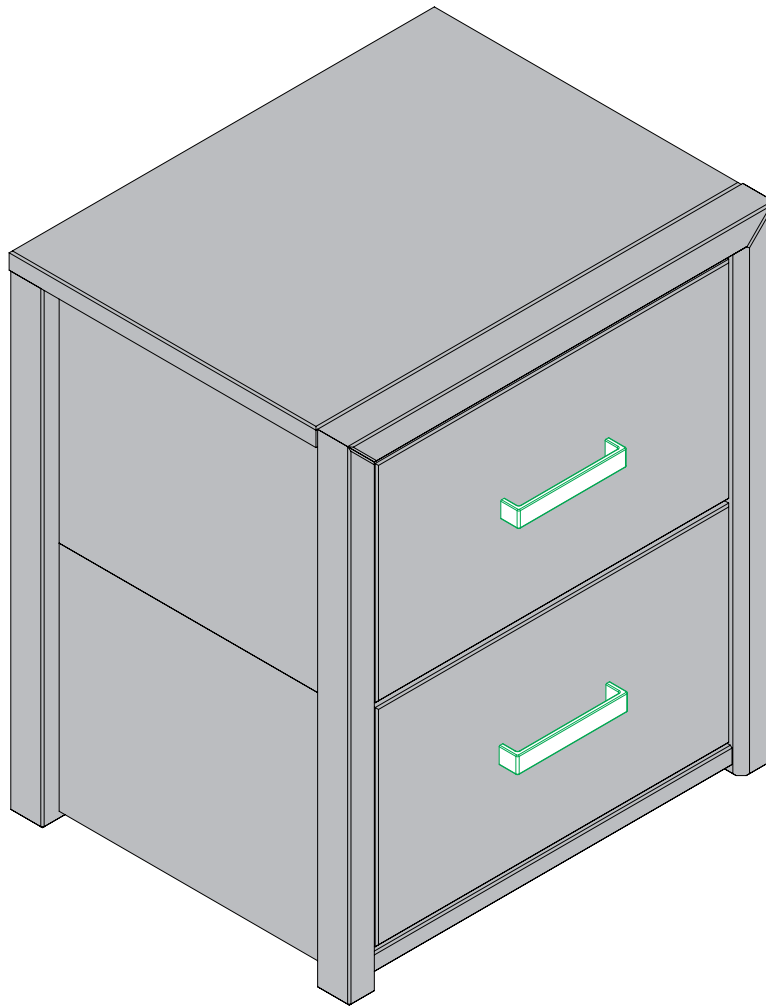


NightStand



Assembly
01 person



Time
50 minutes approximately

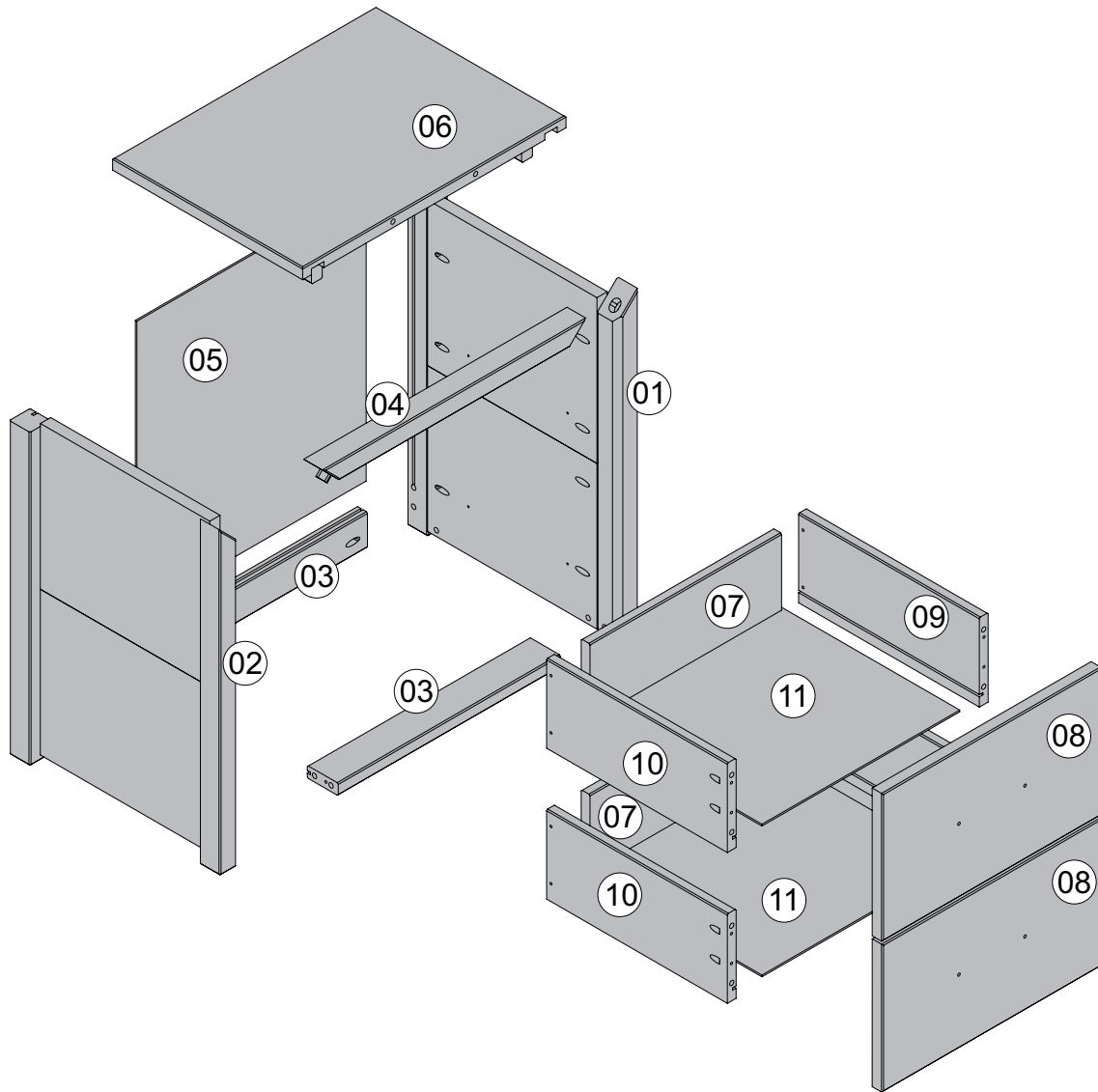


Tools
philips key, rubber hammer



Volume quantity
01 boxes


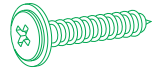

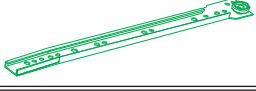
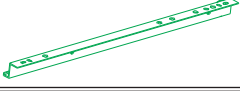
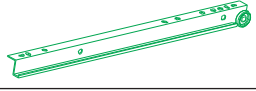
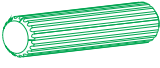
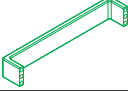

Parts list for assembly. Please confirm all parts available before assembly



ATTENTION

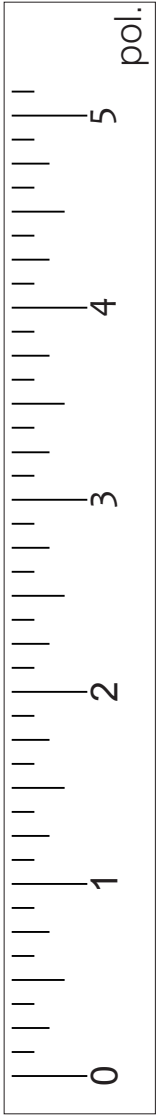
- * Read and observe carefully all the assembly instructions before beginning assembly.
- * The assembly of the product must be done on a clean and flat surface. We suggest to use the packaging to cover the floor to avoid damages.
- * The screws must be tightened periodically.
- * Avoid contact with sharp objects.
- * Avoid banging pieces together.

Hardware list for assembly.
Please confirm all hardware available before assembly

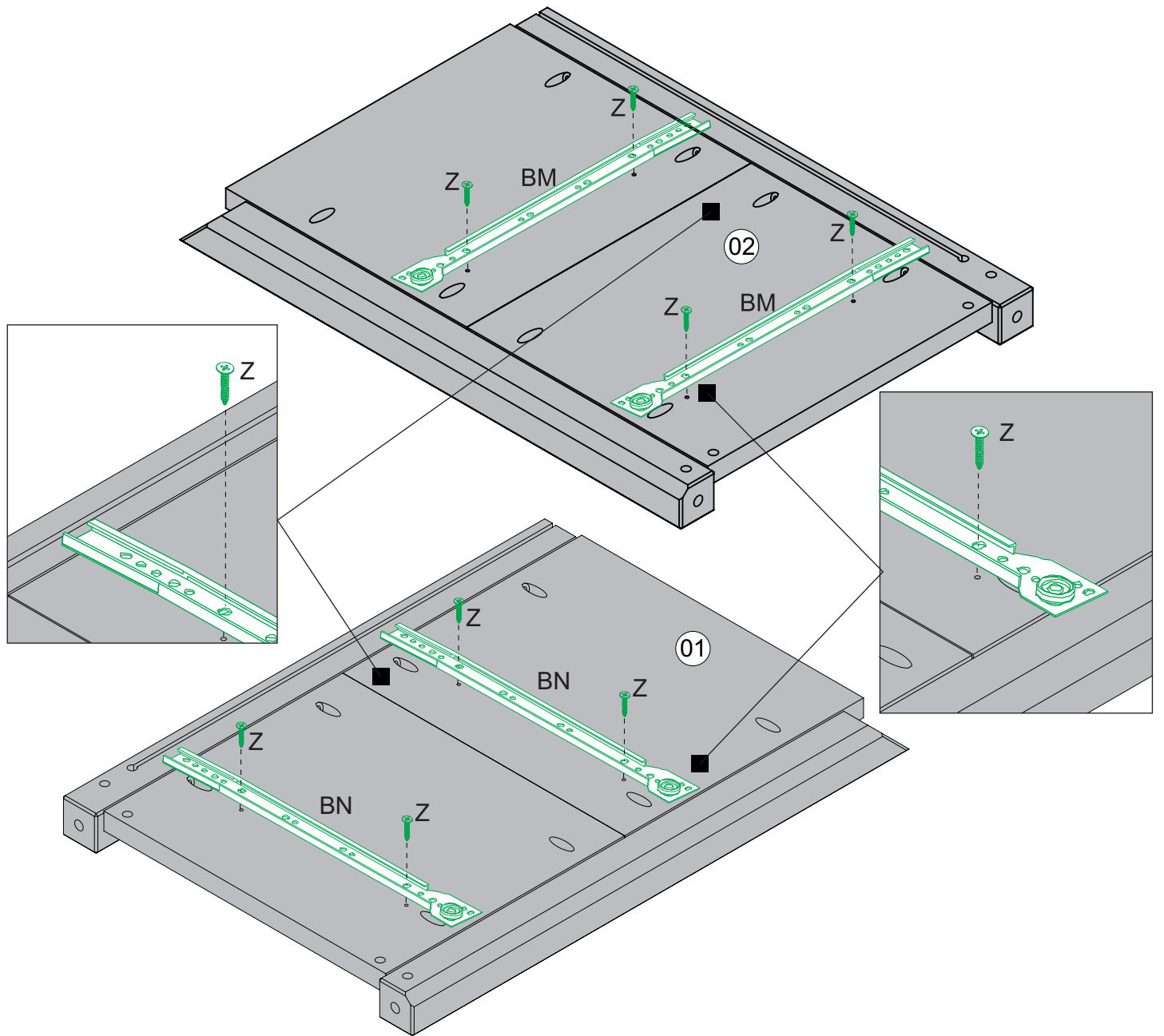
Z	 $\emptyset 1/8" \times 5/8"$	16x
BA	 $\emptyset 1/8" \times 1' 3/8"$	24x
BM	 13' 3/4"	02x
BN	 13' 3/4"	02x
BO	 13' 3/4"	02x
BP	 13' 3/4"	02x
BR	 $\emptyset 5/16" \times 1' 1/4"$	18x
BX		02x
BT	 M4 x 1"	04x



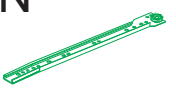
SPARE

+	02x
+	02x
+	02x

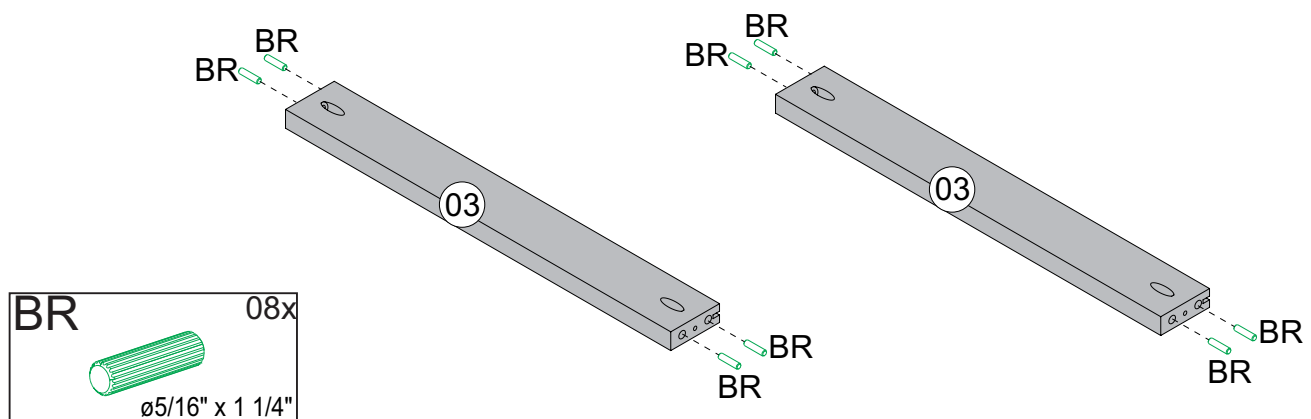


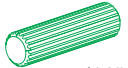
Step - 01



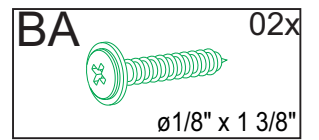
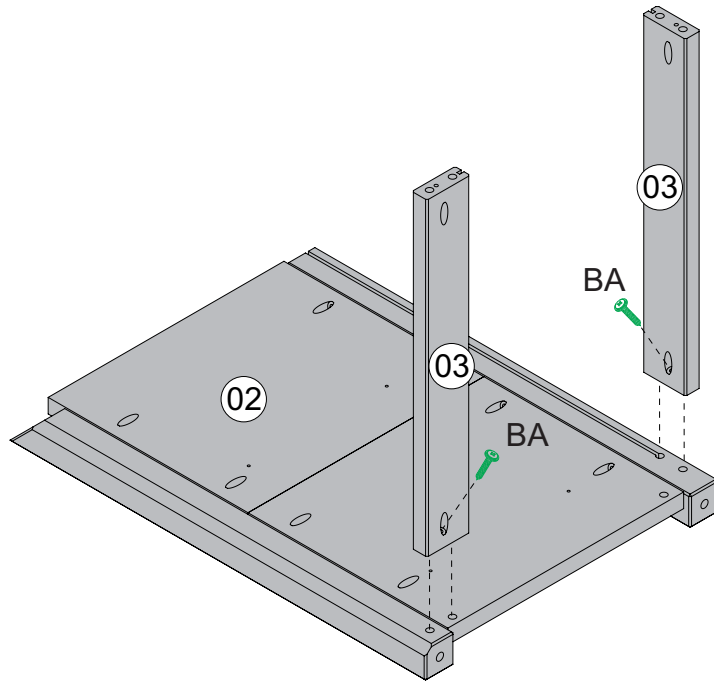
Z	08x	BM	02x	BN	02x
	$\phi 1/8" \times 5/8"$		13 3/4"		13 3/4"

Step - 02

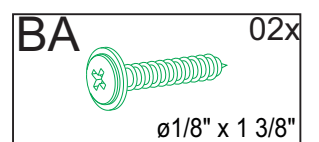
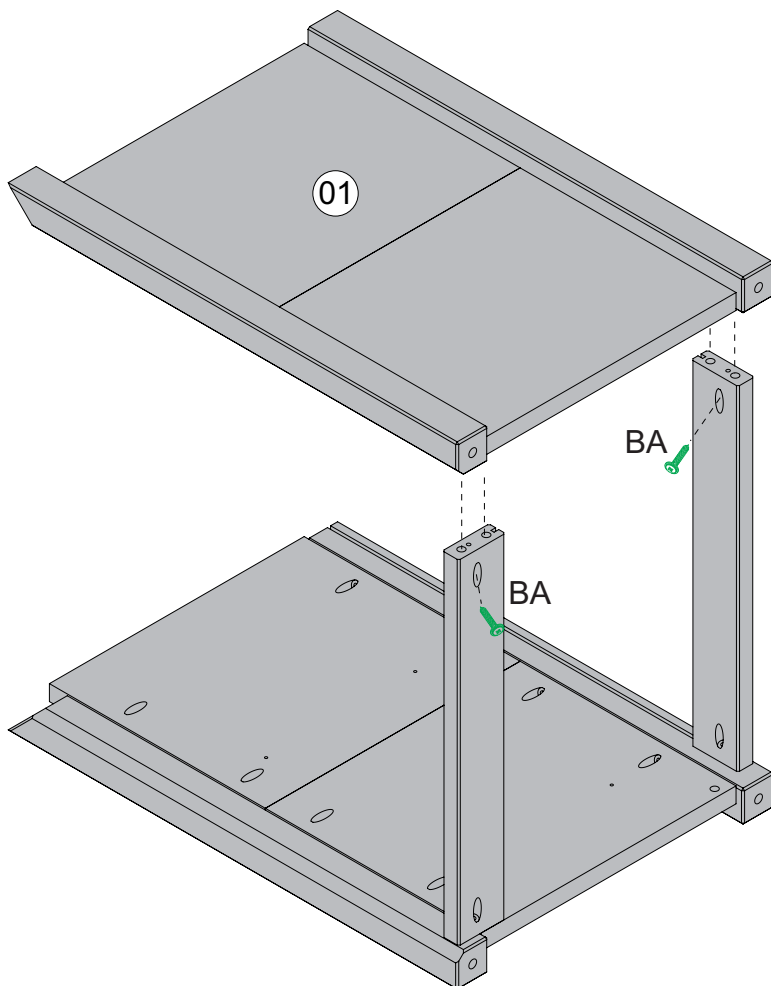


BR	08x
	$\phi 5/16" \times 1 1/4"$

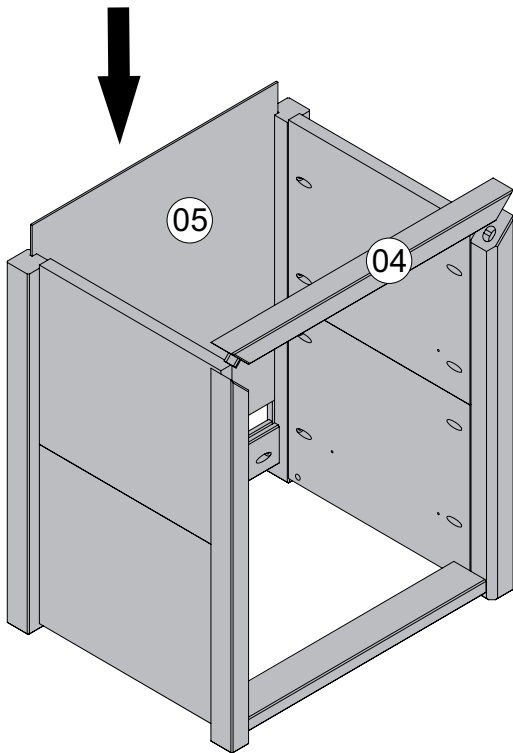
Step - 03



Step - 04



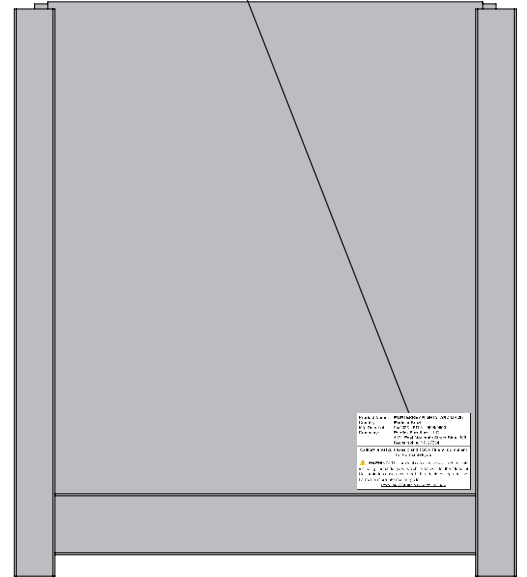
Step - 05



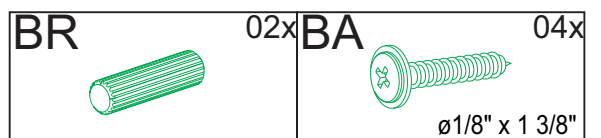
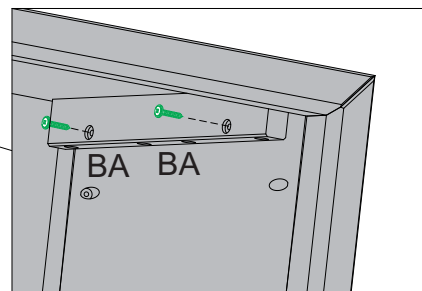
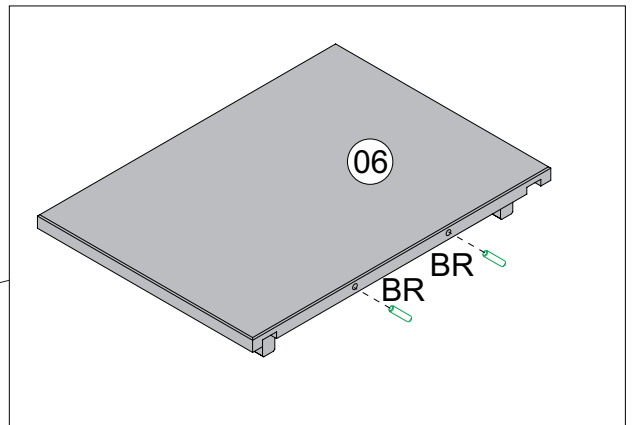
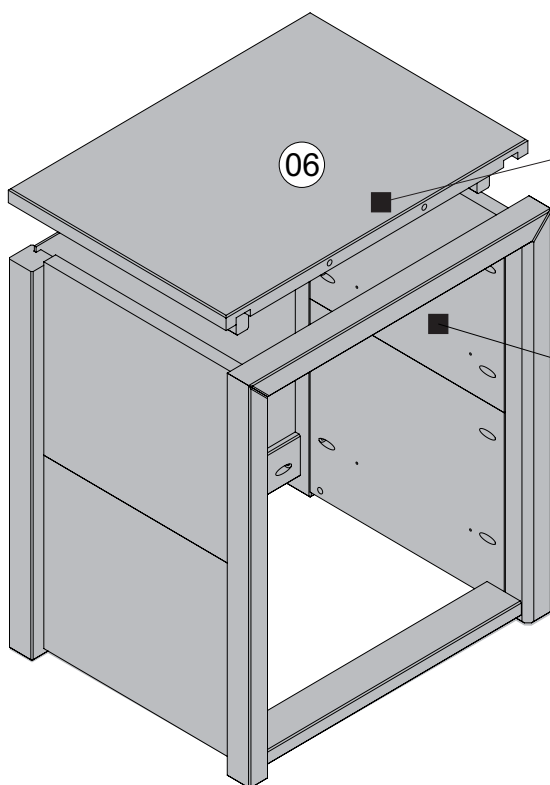
Product Name: NIGHTSTAND
 Country: Made in Brazil
 Mfg Date/Lot: 04/2023
 Company:

California 93120 Phase 2 and TSCA Title VI Compliant
 for Formaldehyde

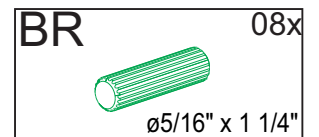
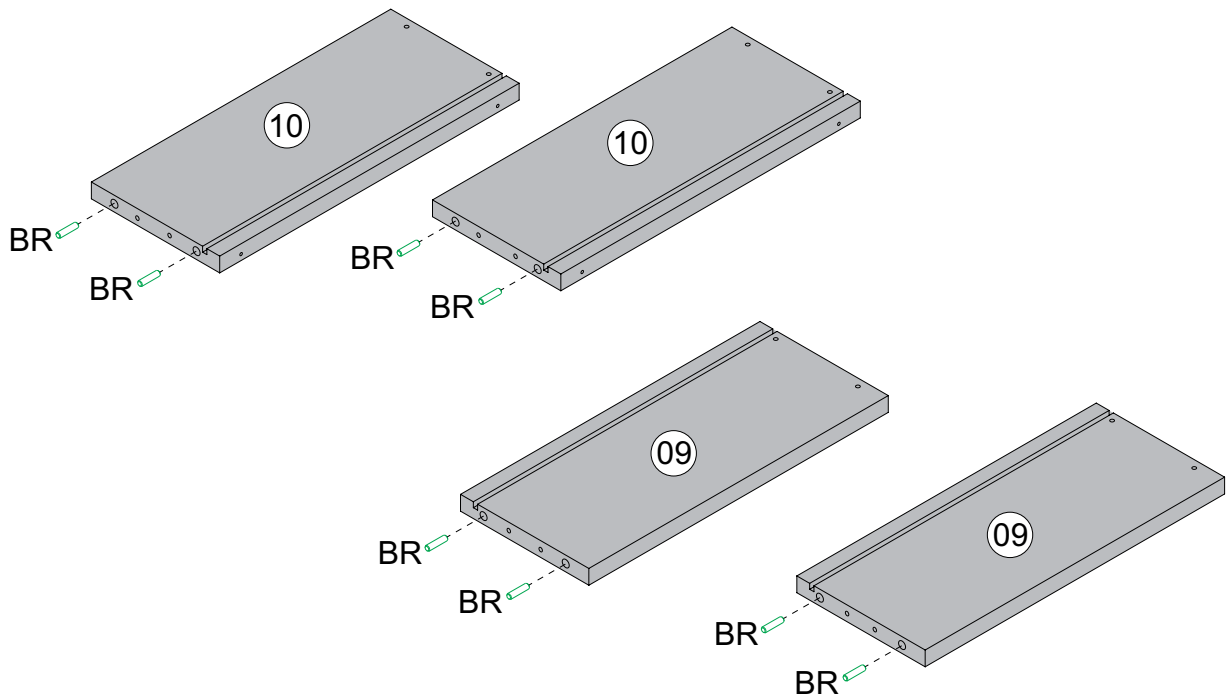
⚠ WARNING: This product can expose you to chemicals including formaldehyde, which is known to the State of California to cause cancer or birth defects or reproductive harm. For more information, go to: www.p65Warnings.ca.gov/furniture



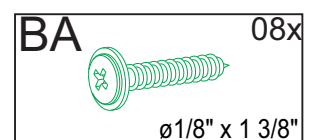
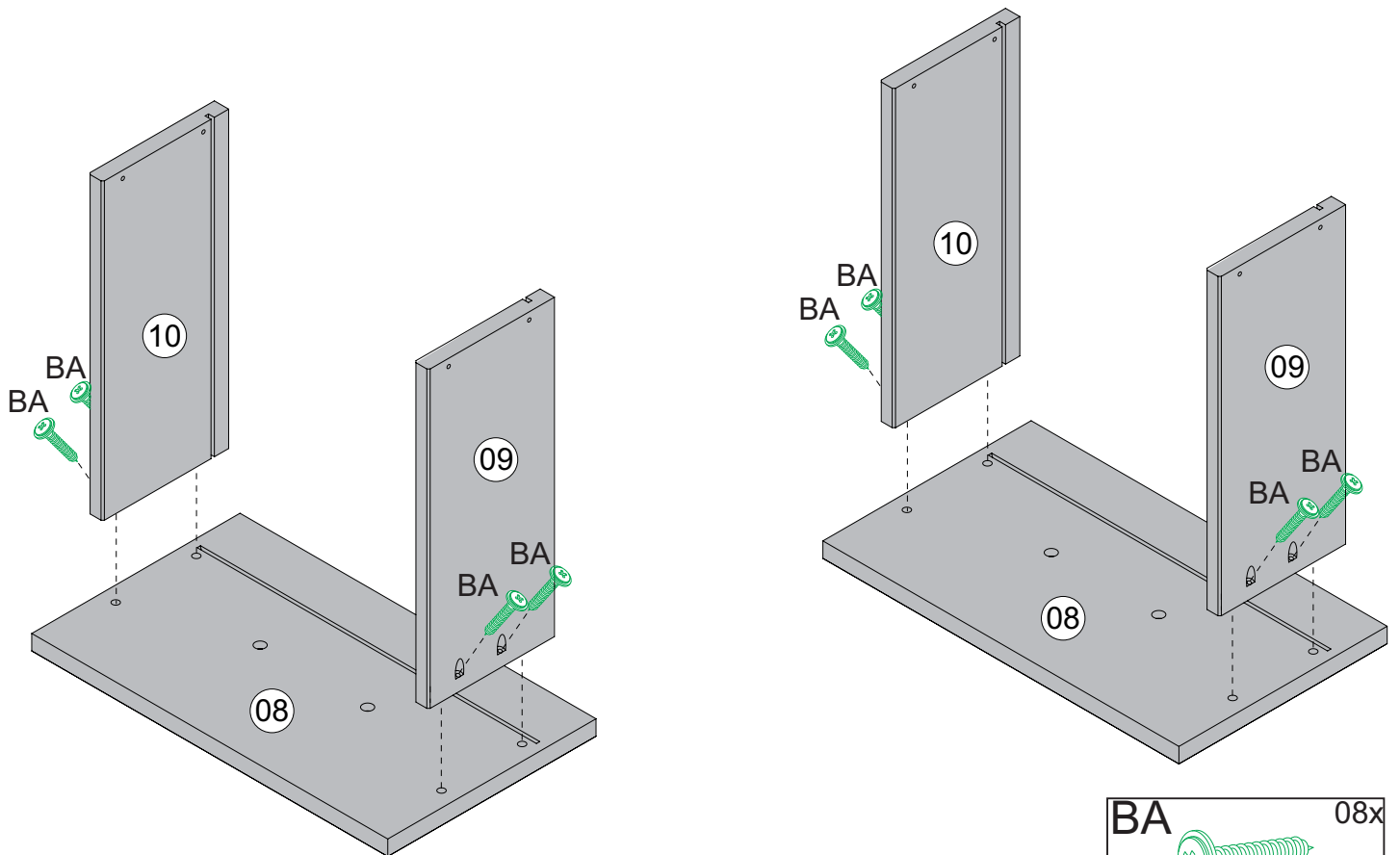
Step - 06



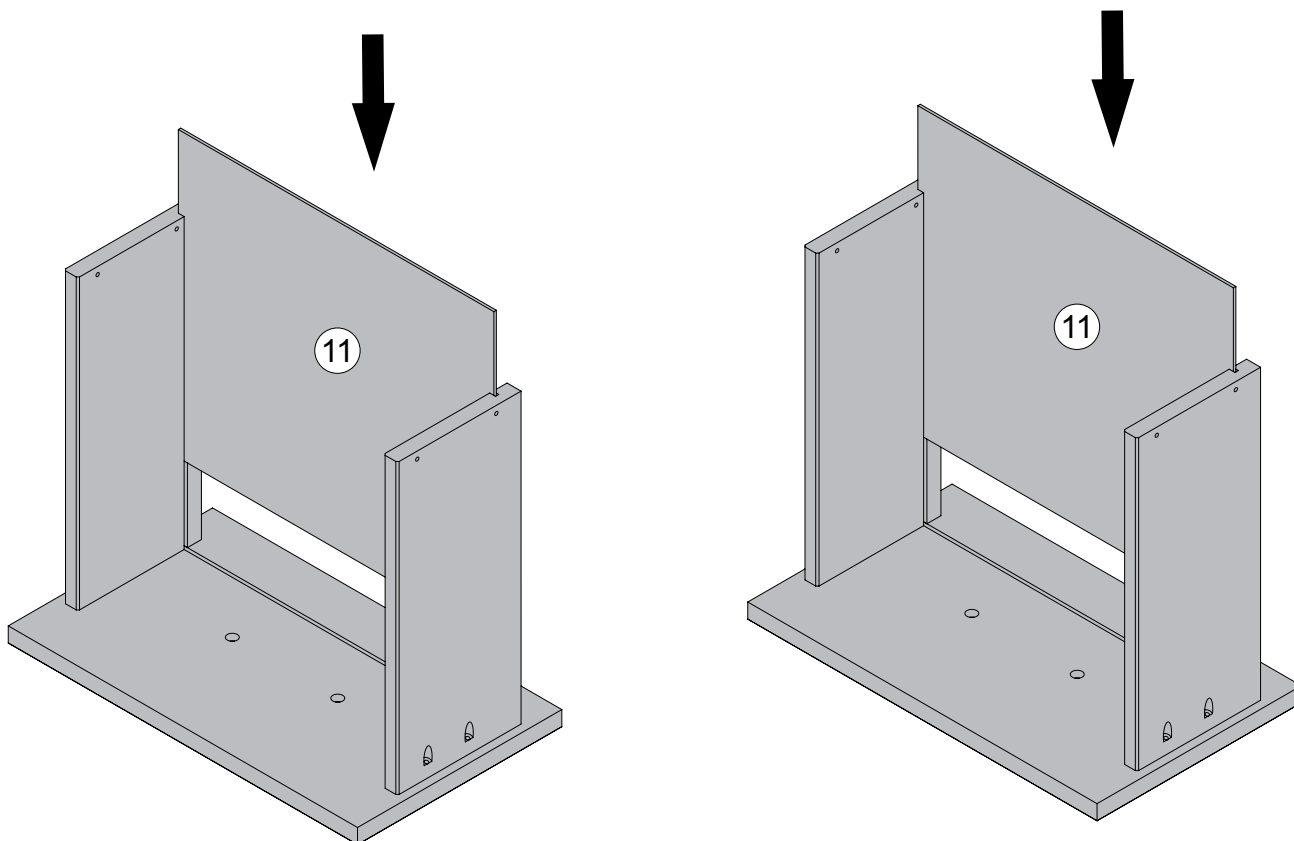
Step - 07



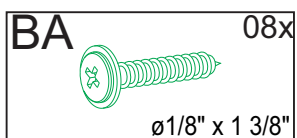
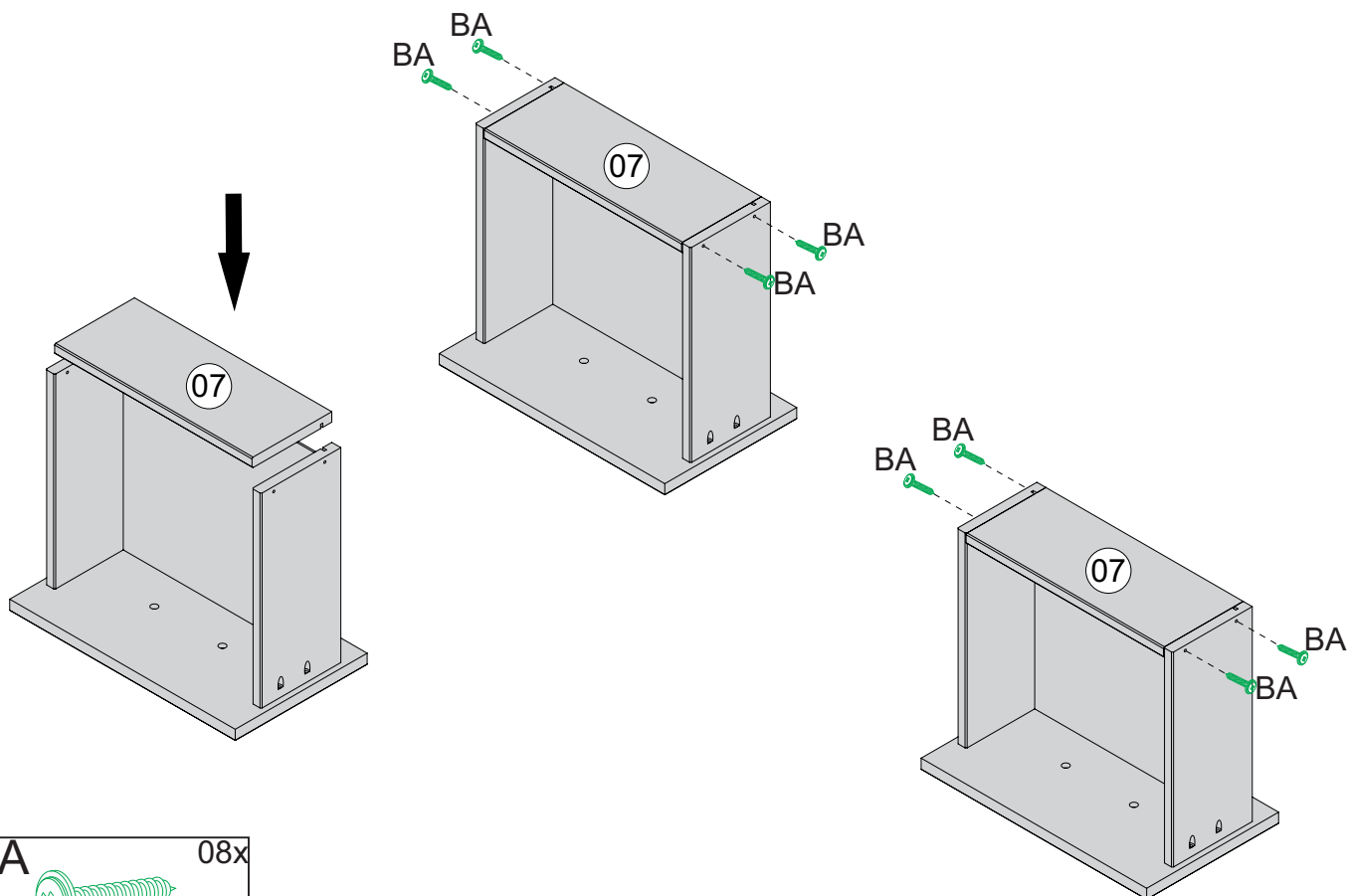
Step - 08



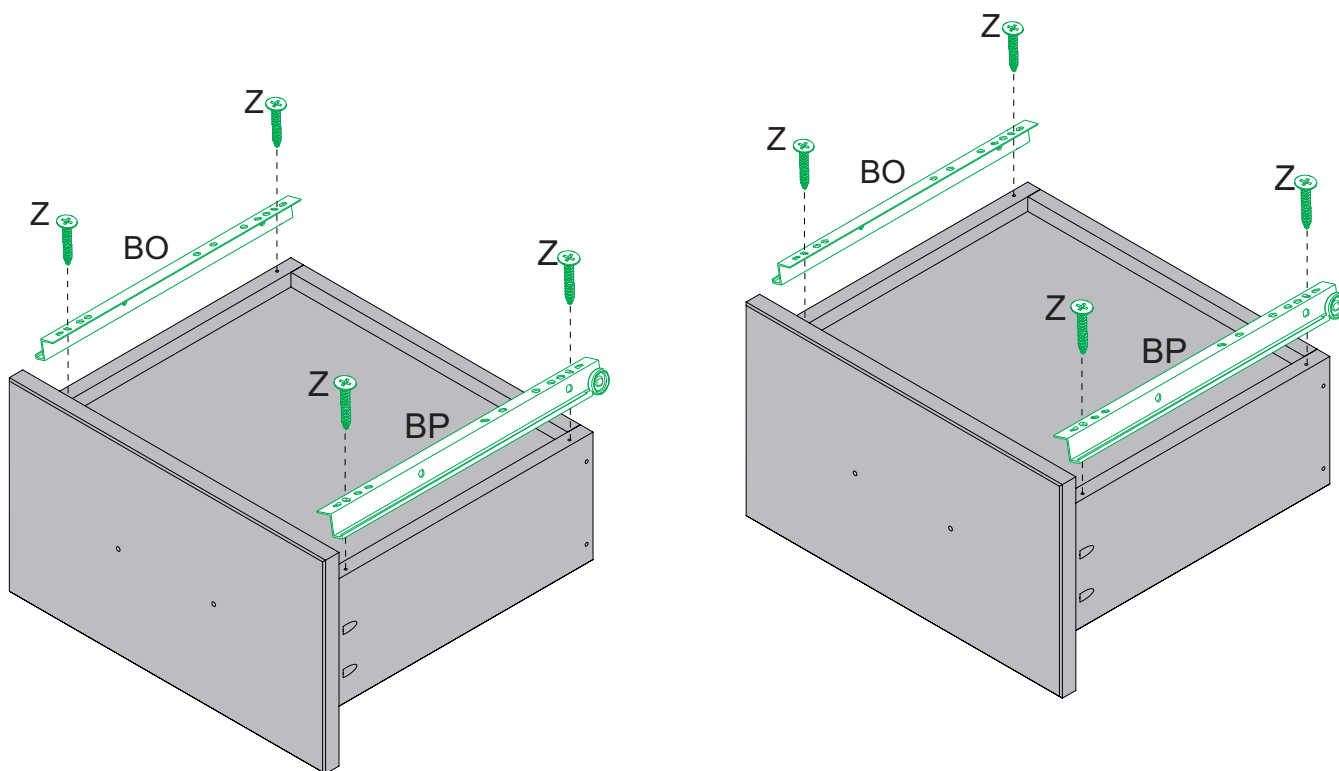
Step - 09



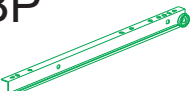


Step - 10

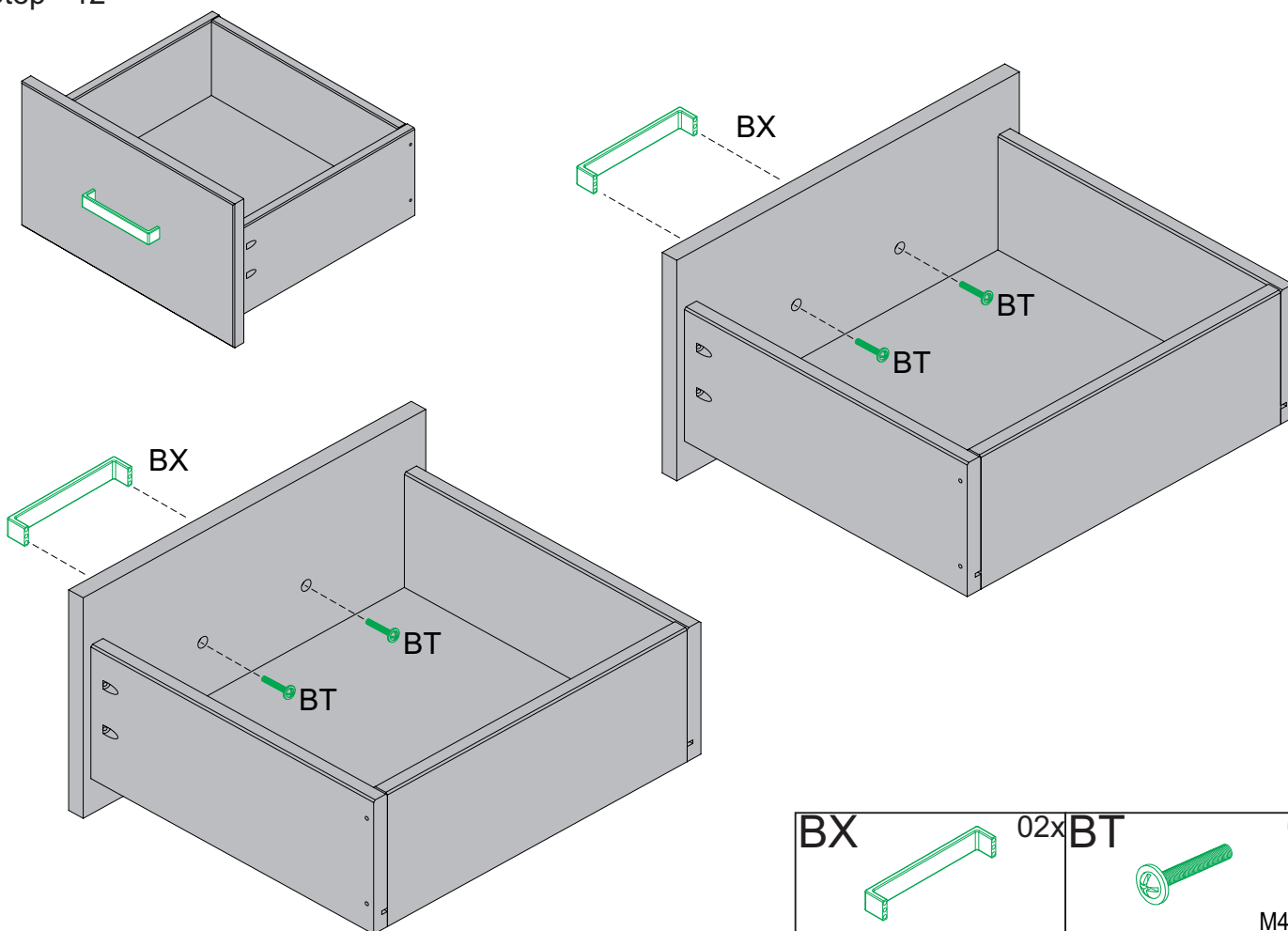


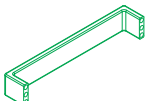

Step - 11



Z	08x	BO	02x	BP	02x
					
	ø1/8" x 5/8"		13 3/4"		13 3/4"

Step - 12



BX	02x	BT	04x
			
			M4 x 1"

