

ASSEMBLY INSTRUCTIONS



END TABLE

ASSEMBLY INSTRUCTIONS

ASSEMBLY TIPS:

1. Remove hardware from box and sort by size.
2. Please check to see that all hardware and parts are present prior to start of assembly.
3. Please follow attached instructions in the same sequence as numbered to assure fast & easy assembly.



WARNING!

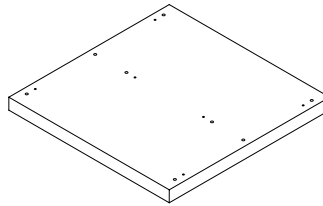
1. Don't attempt to repair or modify parts that are broken or defective. Please contact the store immediately.
2. This product is for home use only and not intended for commercial establishments.

ASSEMBLY TIME

30 MINUTES

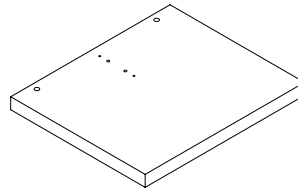
PARTS IDENTIFICATION

A TOP



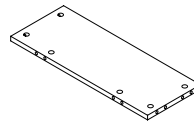
1 PC

B SIDE PANEL



2 PCS

C BACK PANEL



1 PC

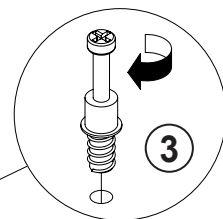
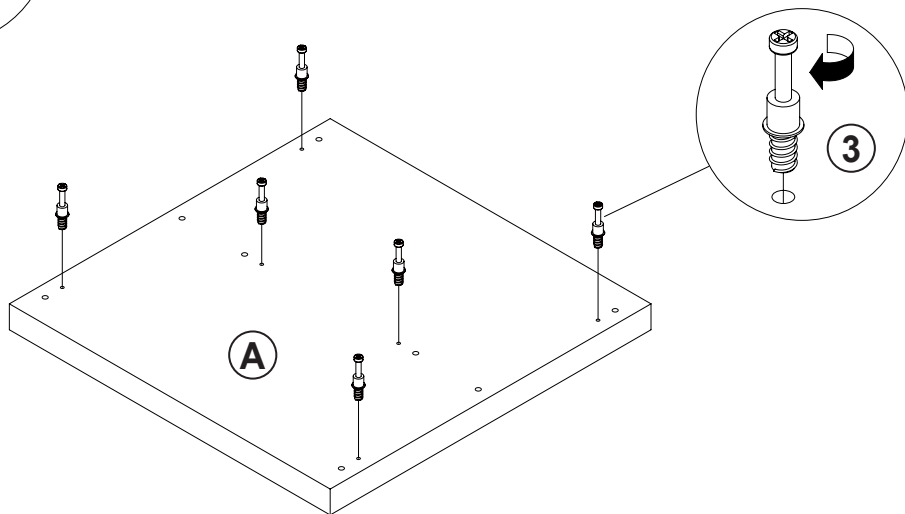
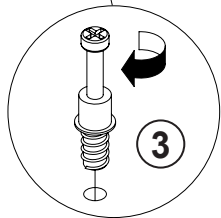
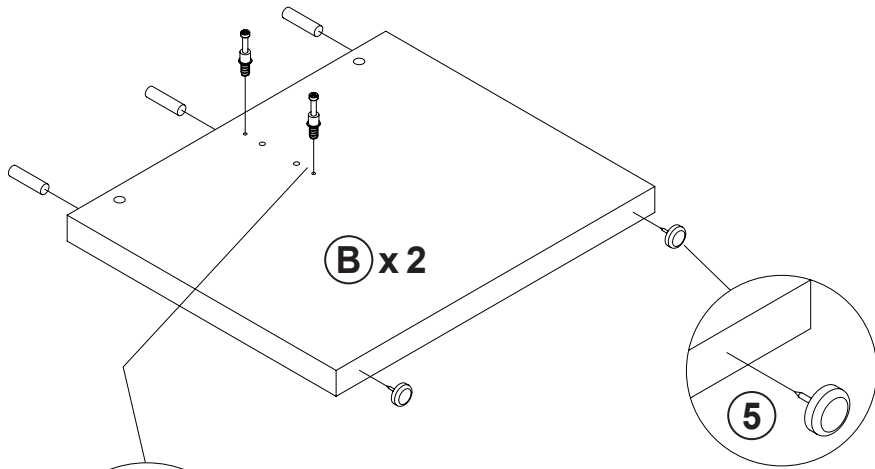
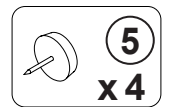
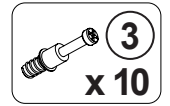
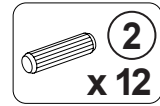
HARDWARE IDENTIFICATION

Z							
NO	DESCRIPTION	FIGURE	Q'TY	NO	DESCRIPTION	FIGURE	Q'TY
1	GLUE 15g		1 PC	4	CAM LOCK Ø15x12mm SR		10 PCS
2	WOODEN DOWEL Ø8x30mm		12 PCS	5	PLASTIC FEET Ø15mm		4 PCS
3	CAM BOLT Ø7x35.5mm SR		10 PCS	6	STICKER Ø20mm		2 PCS

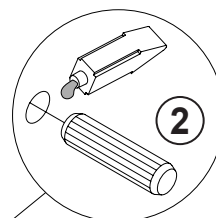
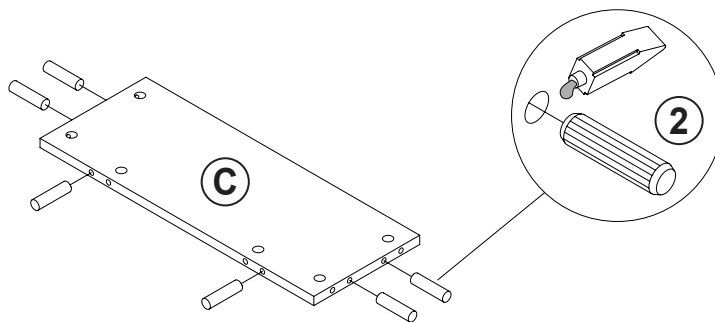
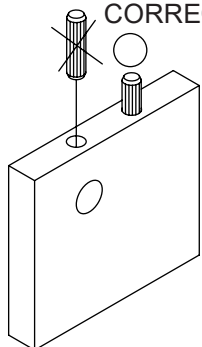
NOTE:

Phillips head screw driver is required in the assembly process; however, manufacturer does not provide this item.

STEP 1

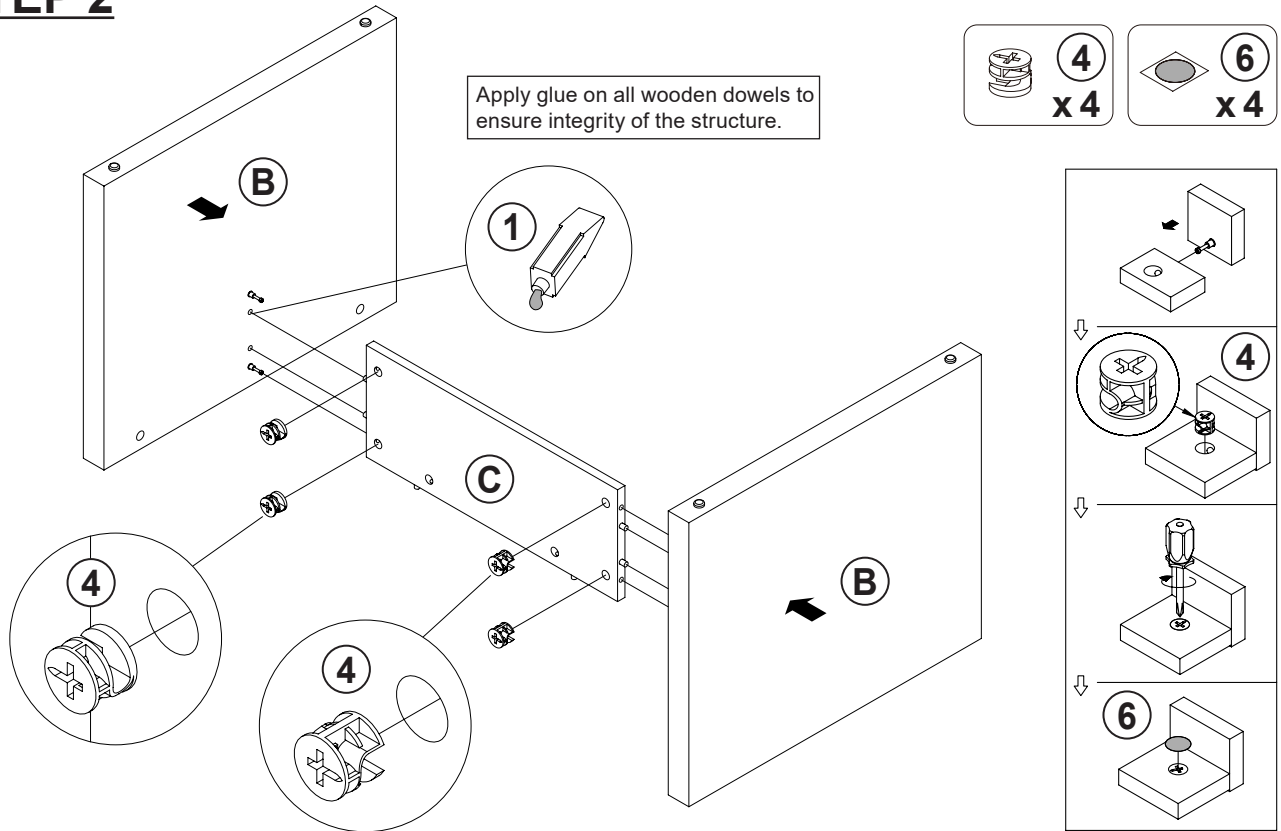


INCORRECT
CORRECT

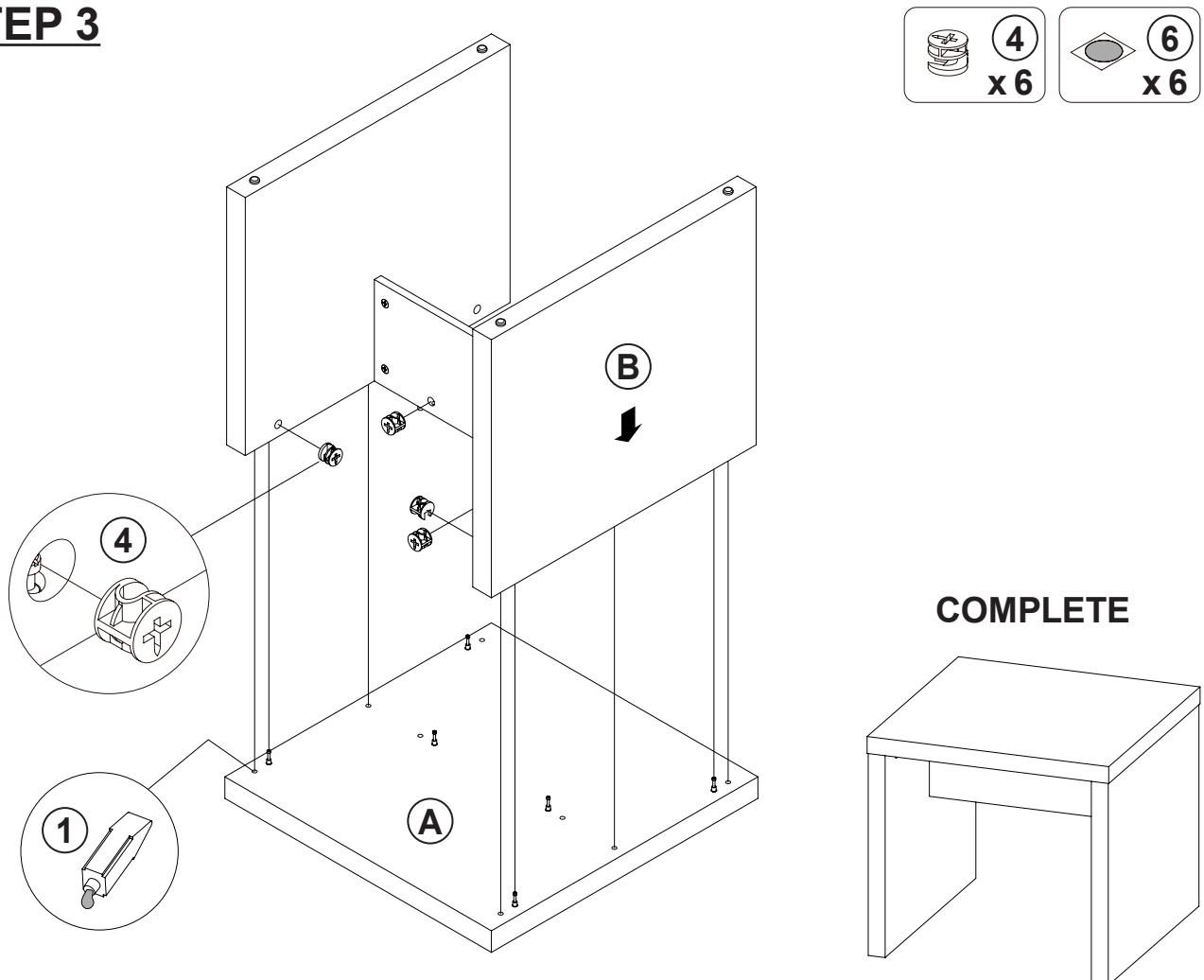


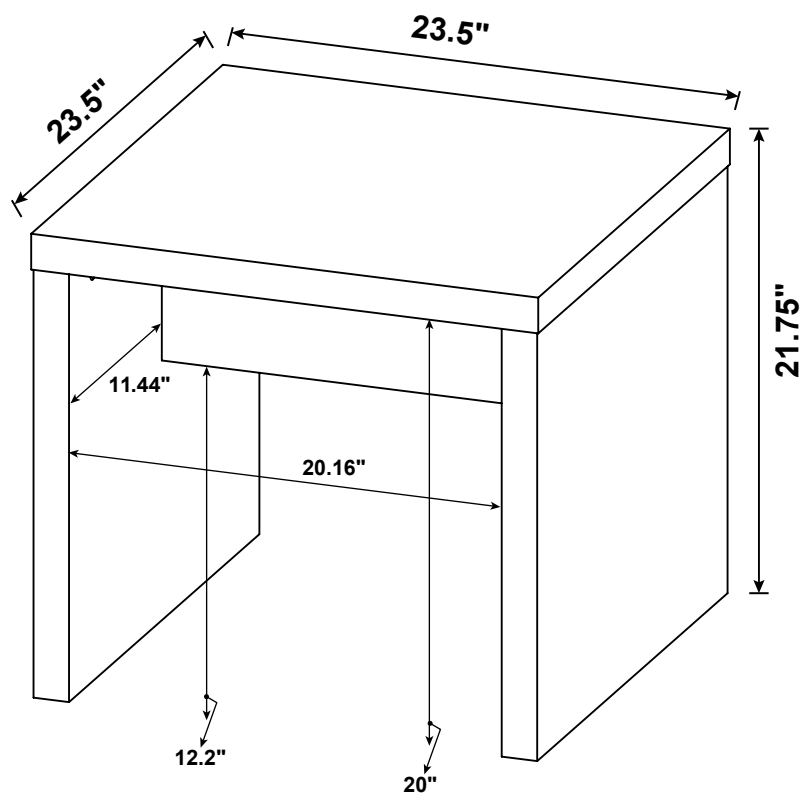
Apply glue on all wooden dowels to ensure integrity of the structure.

STEP 2



STEP 3





Note : Dimension tolerance $\pm 5\%$