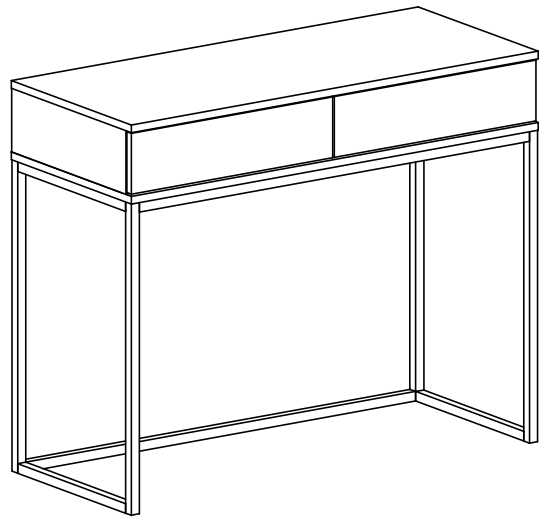
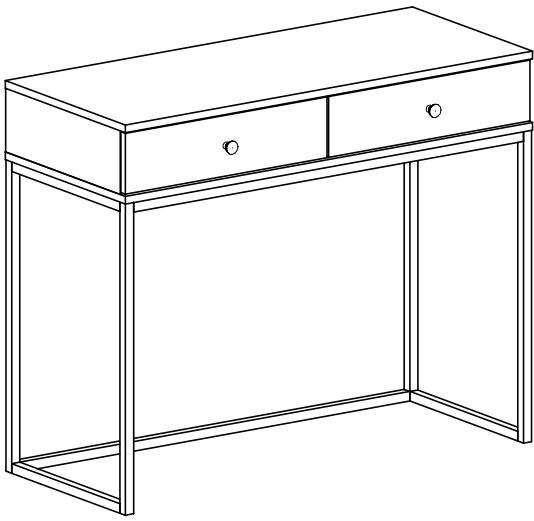
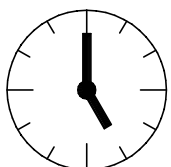
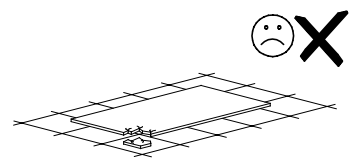
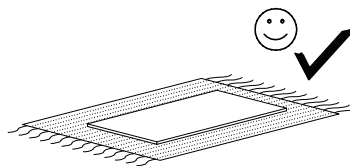
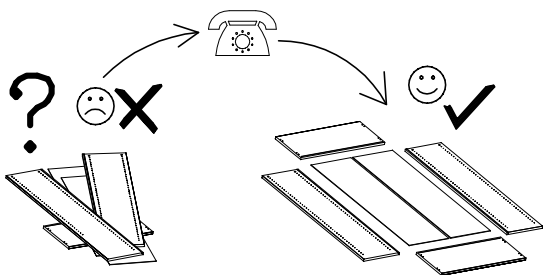
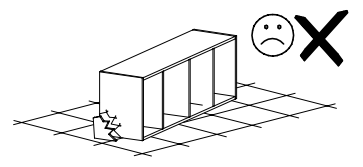
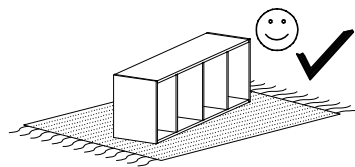
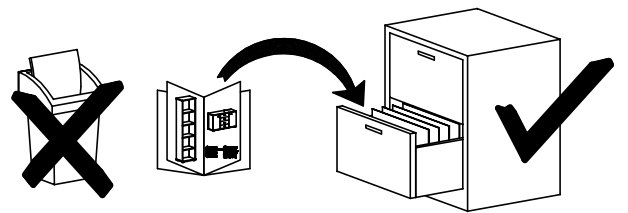
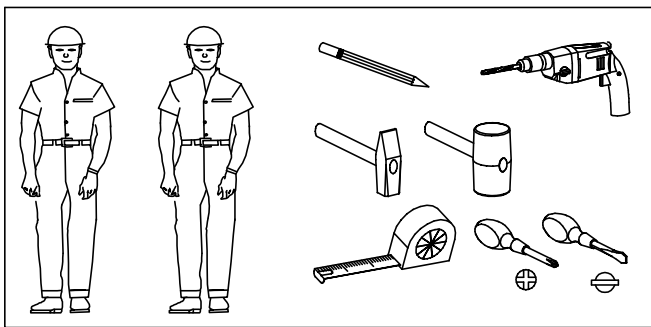


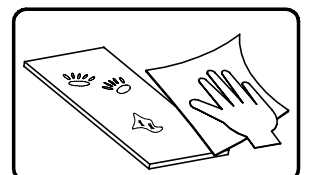
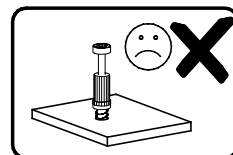
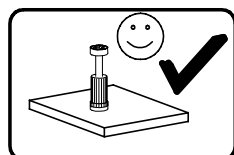
table

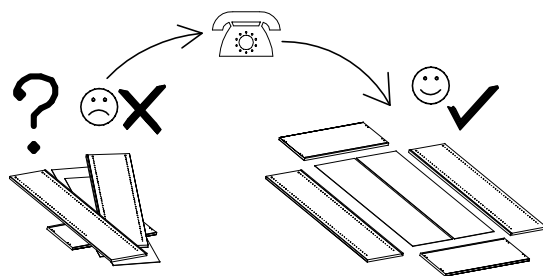
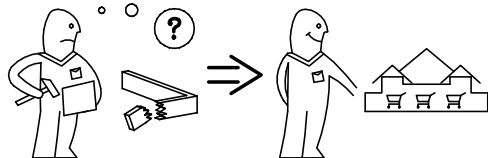
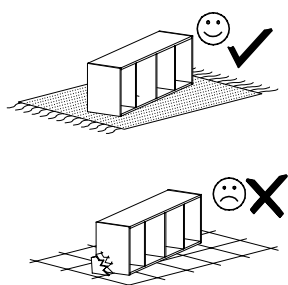


PUSH

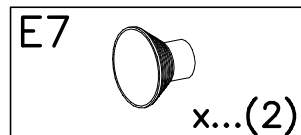


1,5h

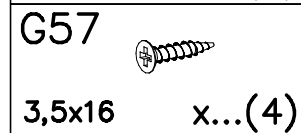
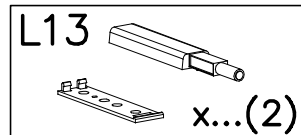
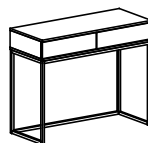




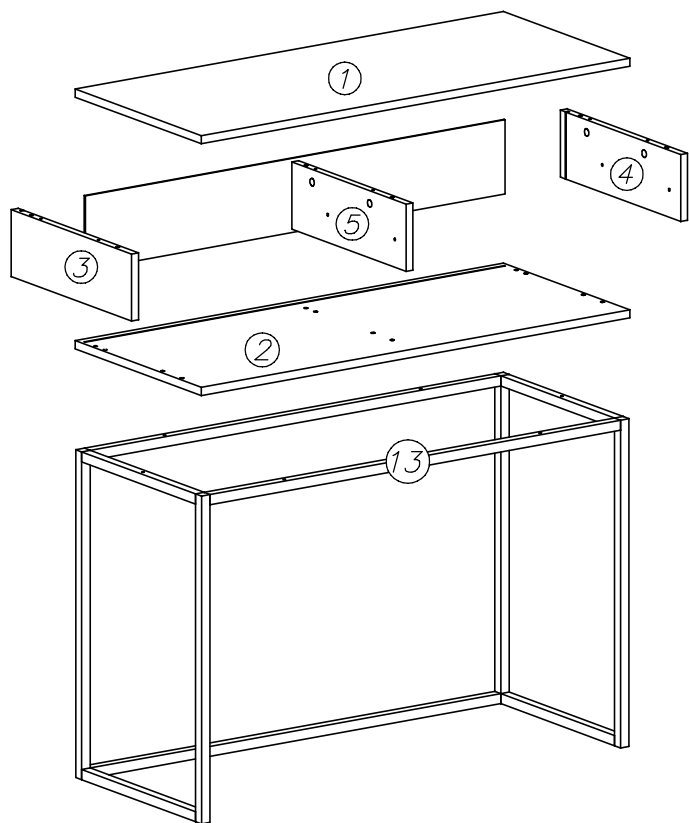
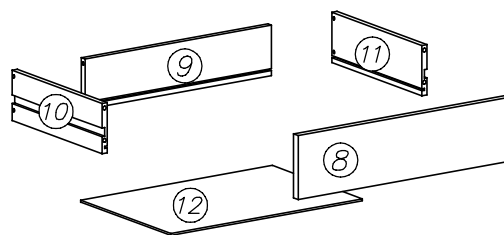
OPCJA A



OPCJA B

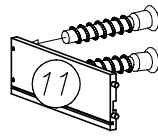
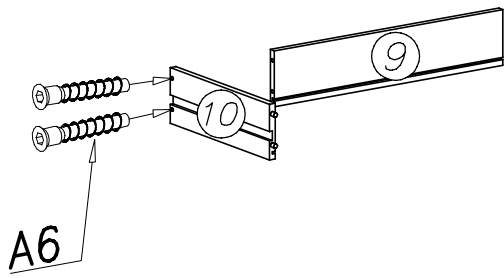


PUSH

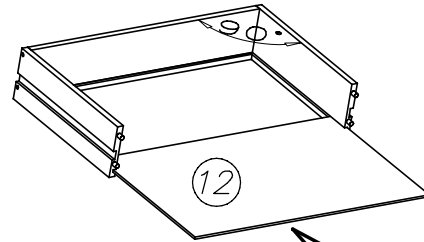
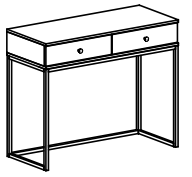


	G34 3,5x16 x...(2)	M11 x...(1)	G28 4x60 x...(1)	U6 ø8x40 x...(1)
I22 x...(4)	G49 6x20 x...(4)	H3 280mm x...(4)	G50 6x13 x...(4)	
K1 ø15x12 x...(6)	G8 4x30 x...(8)	N1 M4x9 x...(4)	I1 x...(4)	W1 x...(1)
K10 x...(6)	B1 ø8x35 x...(20)	W2 x...(1)	A6 ø7x40 x...(8)	A1 ø7x50 x...(6)

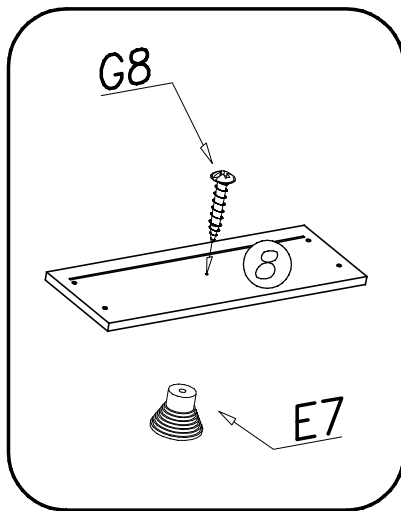
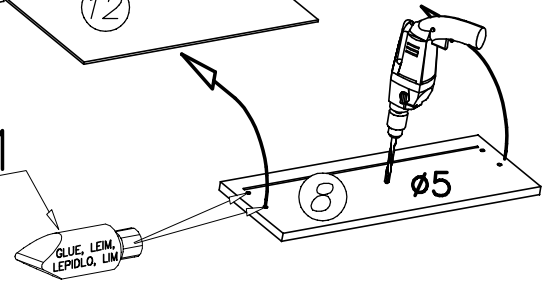
I



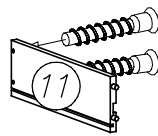
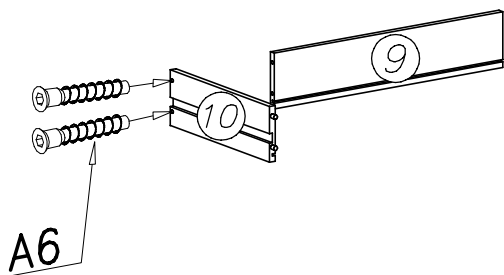
OPCJA A



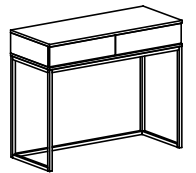
W1



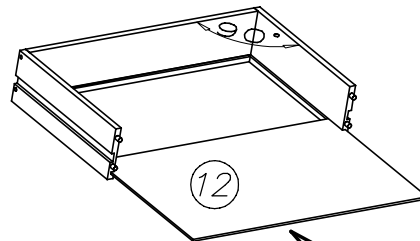
II



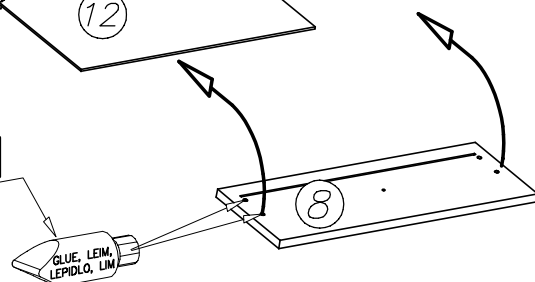
OPCJA B



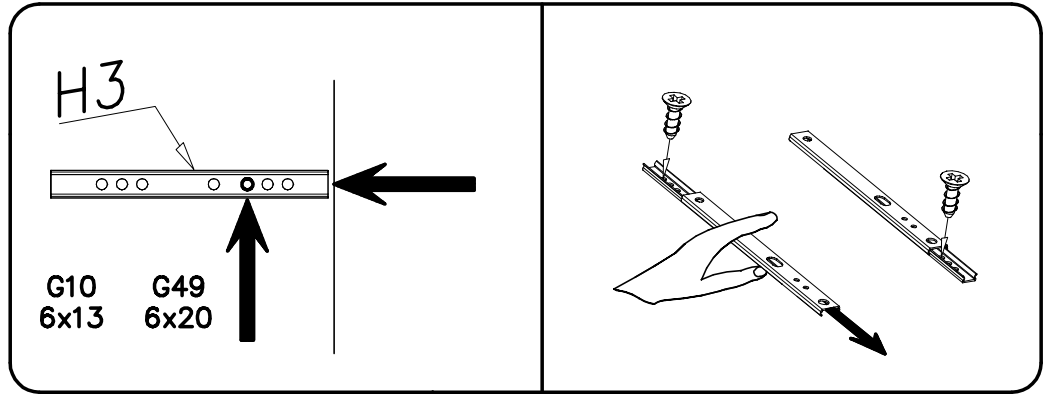
PUSH



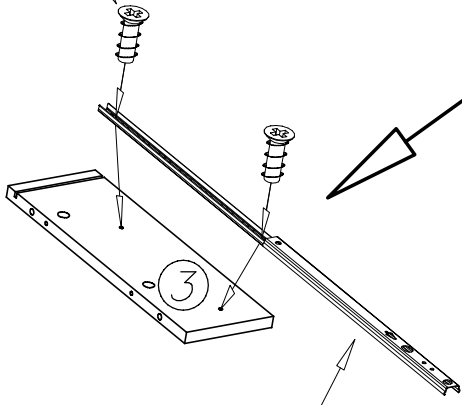
W1



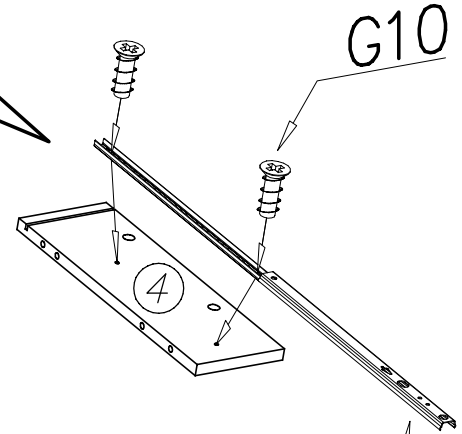
III



G10

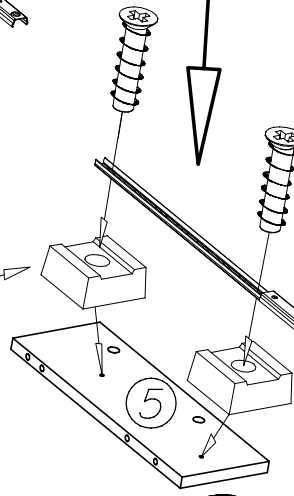


H3



G10

I22



G49

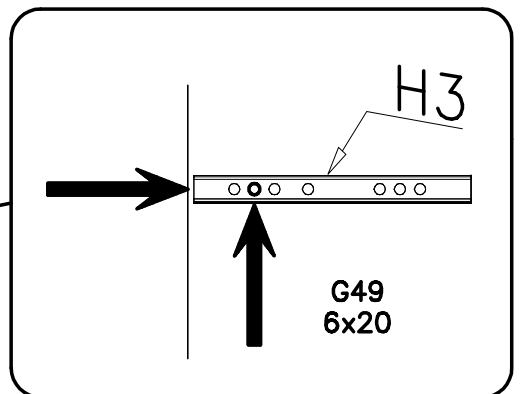
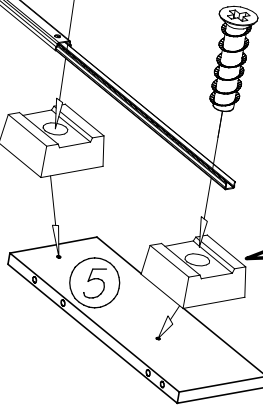
H3

H3

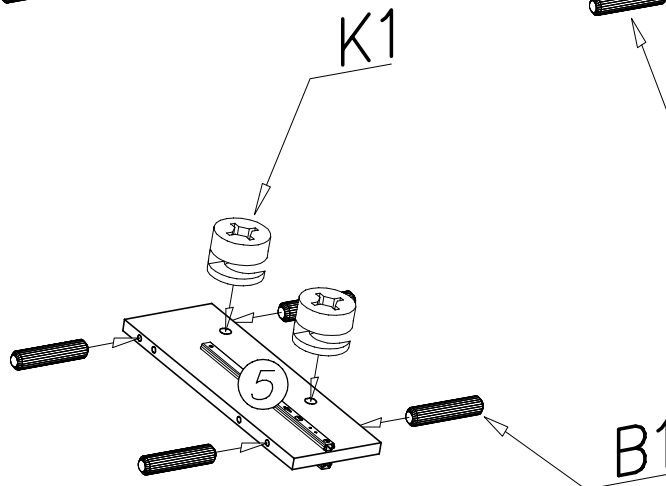
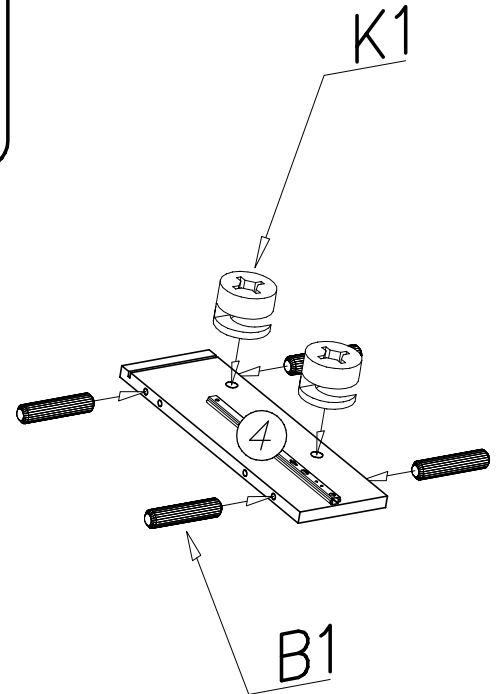
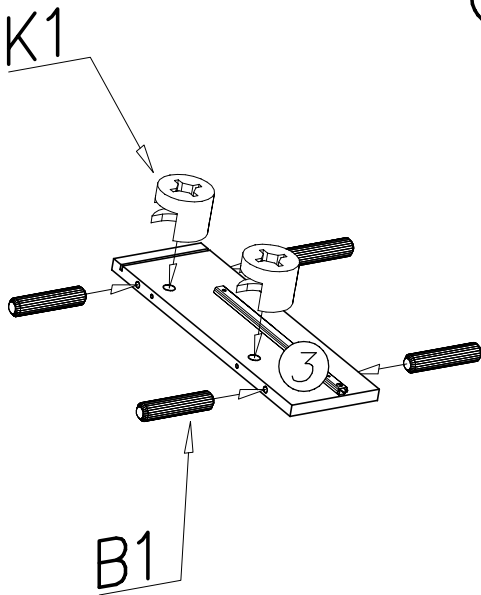
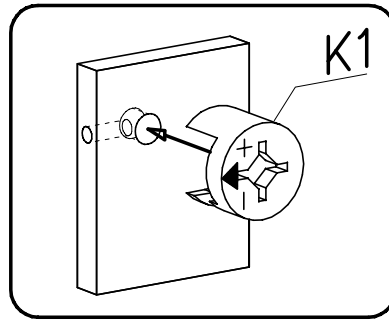
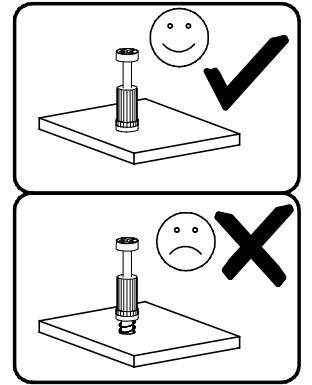
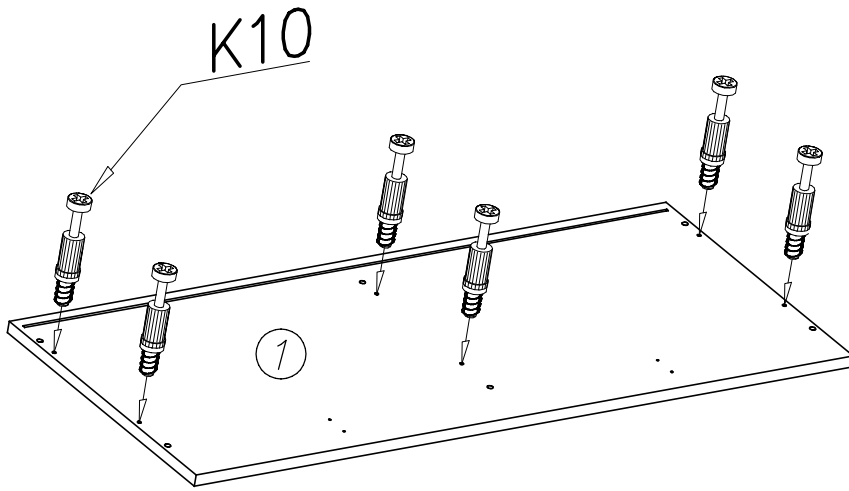
G49

H3

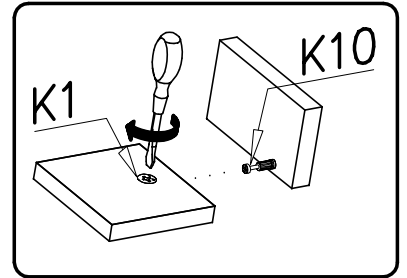
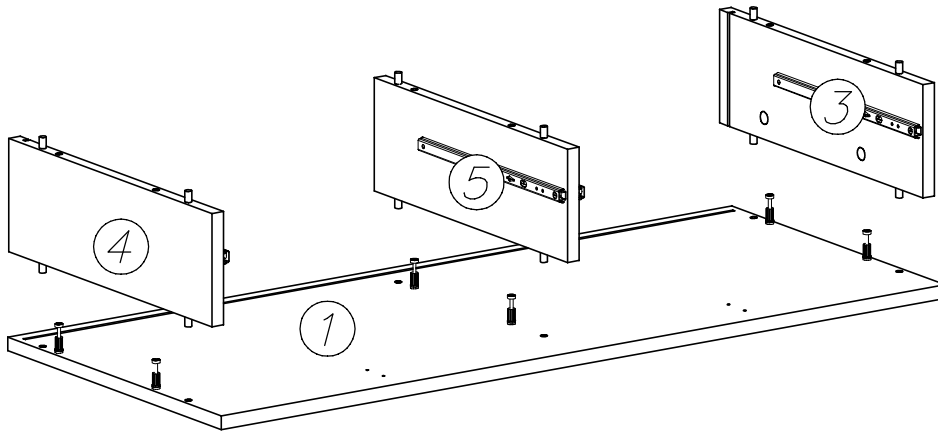
I22



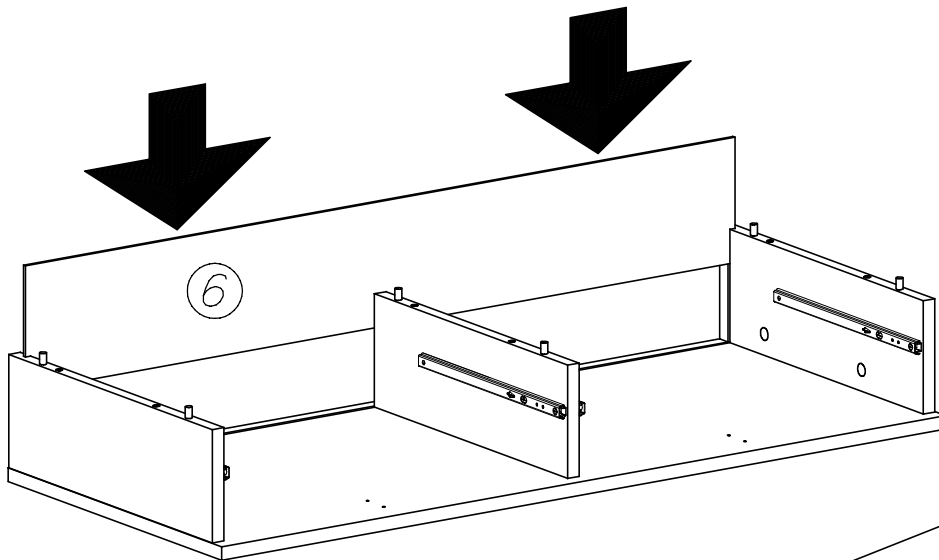
IV



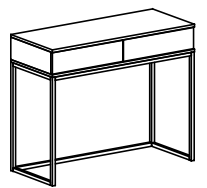
V



VI

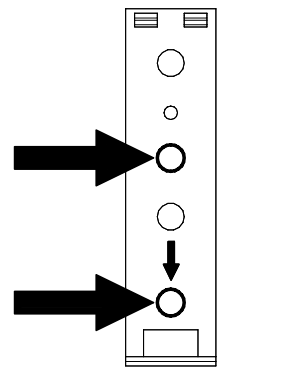
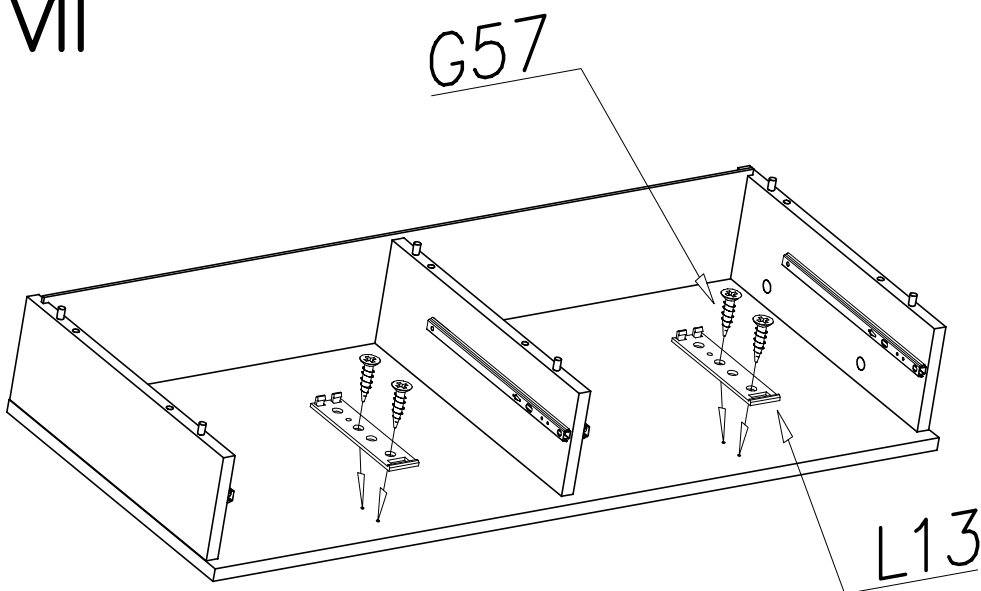


OPCJA B



PUSH

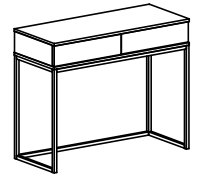
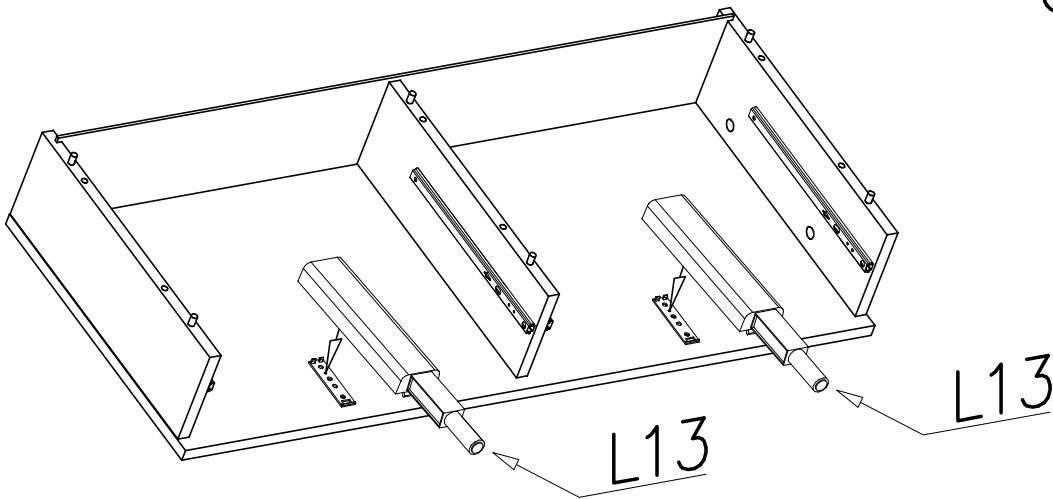
VII



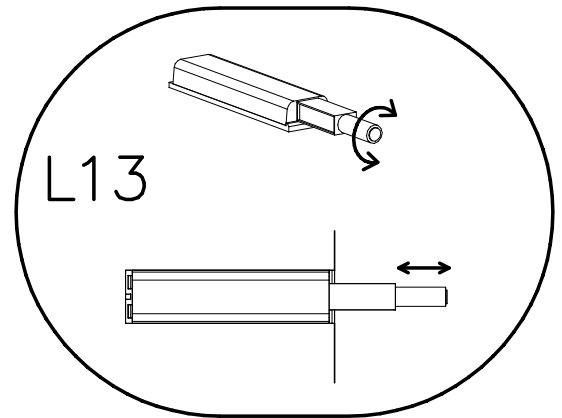
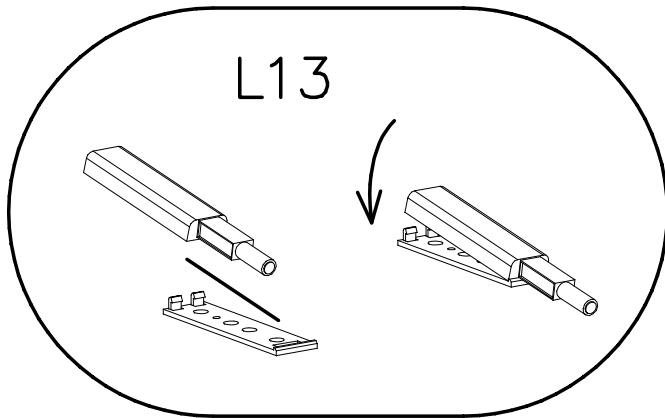
front

VIII

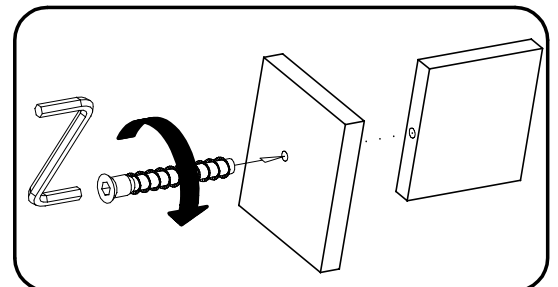
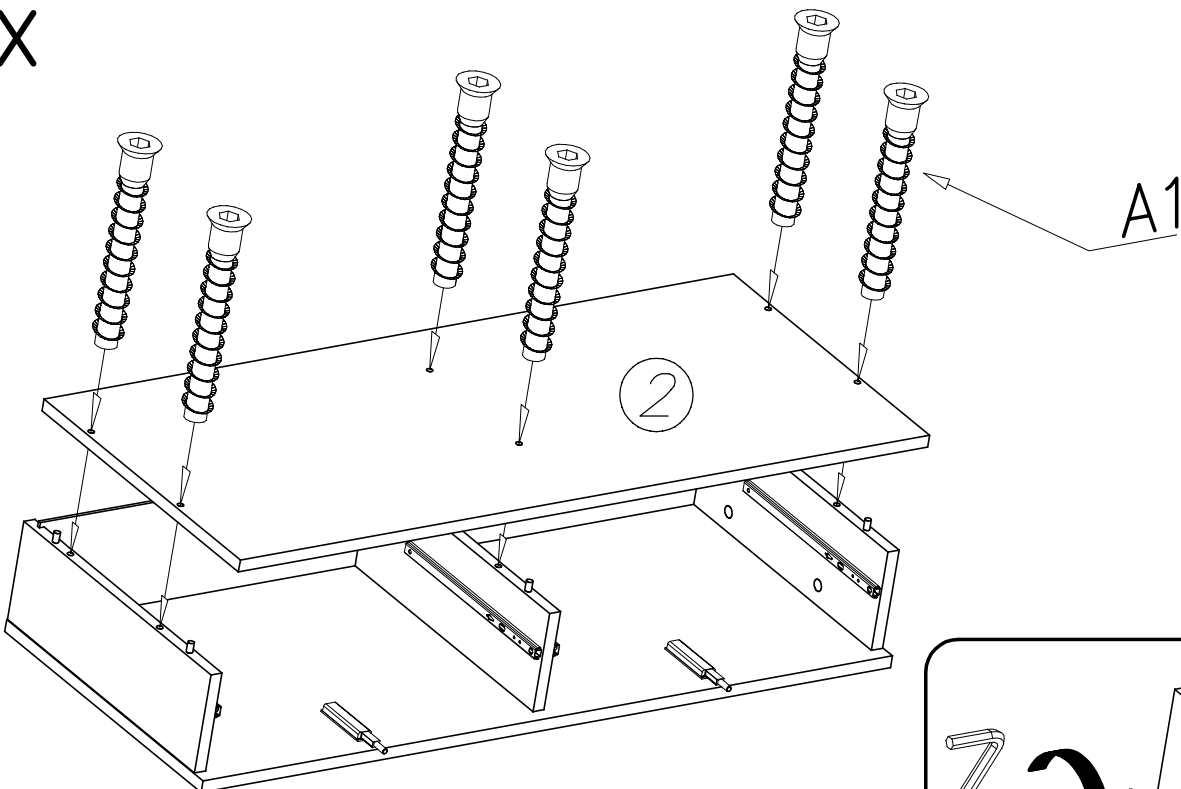
OPCJA B



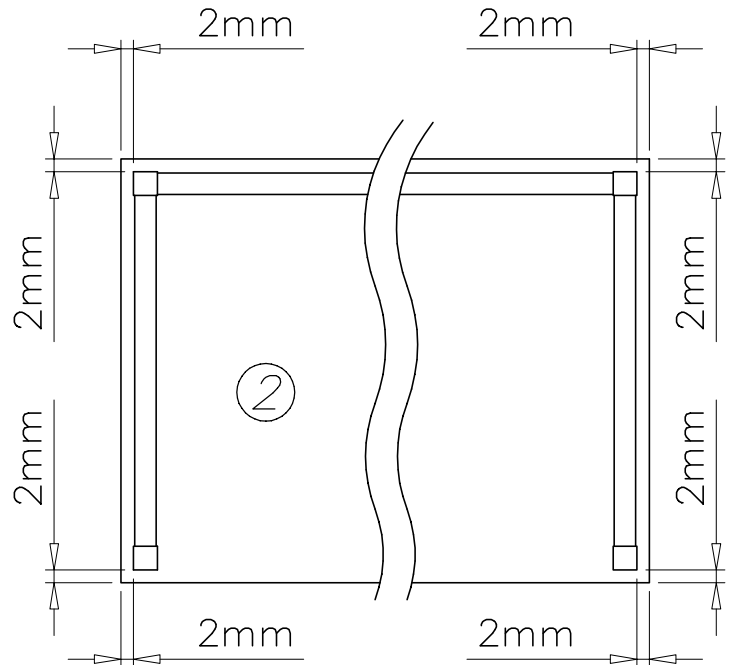
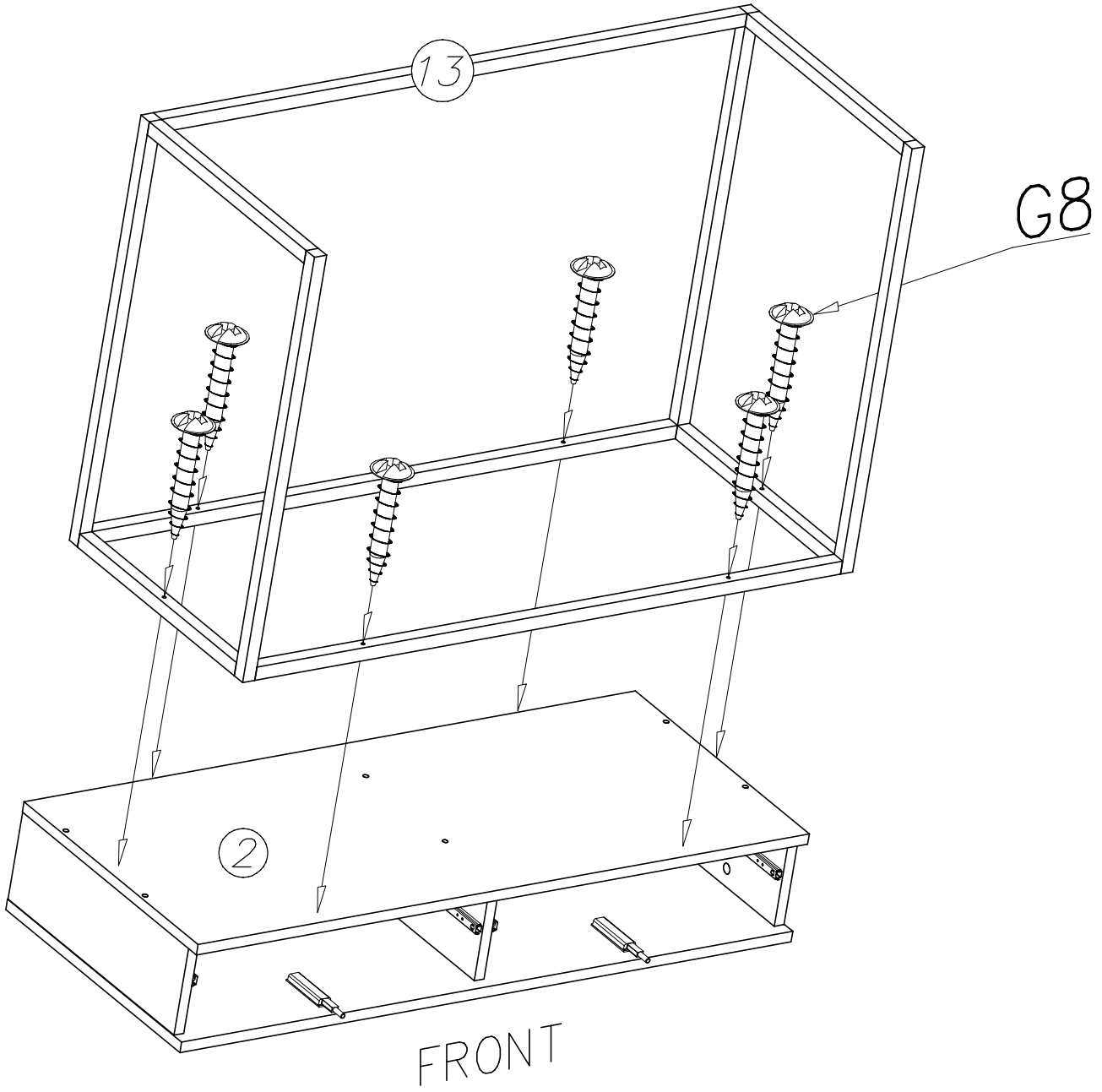
PUSH



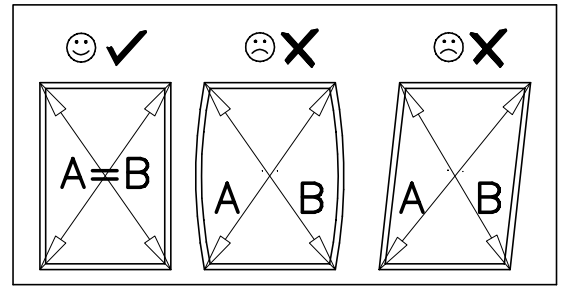
IX



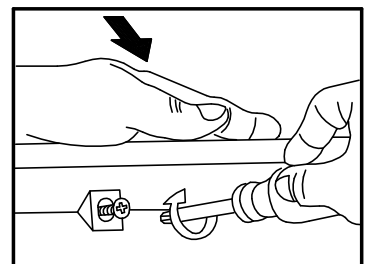
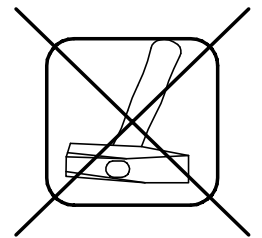
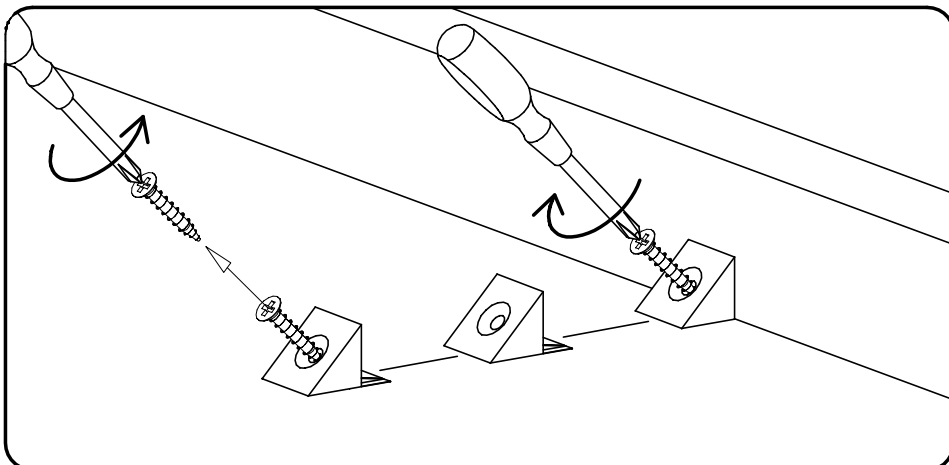
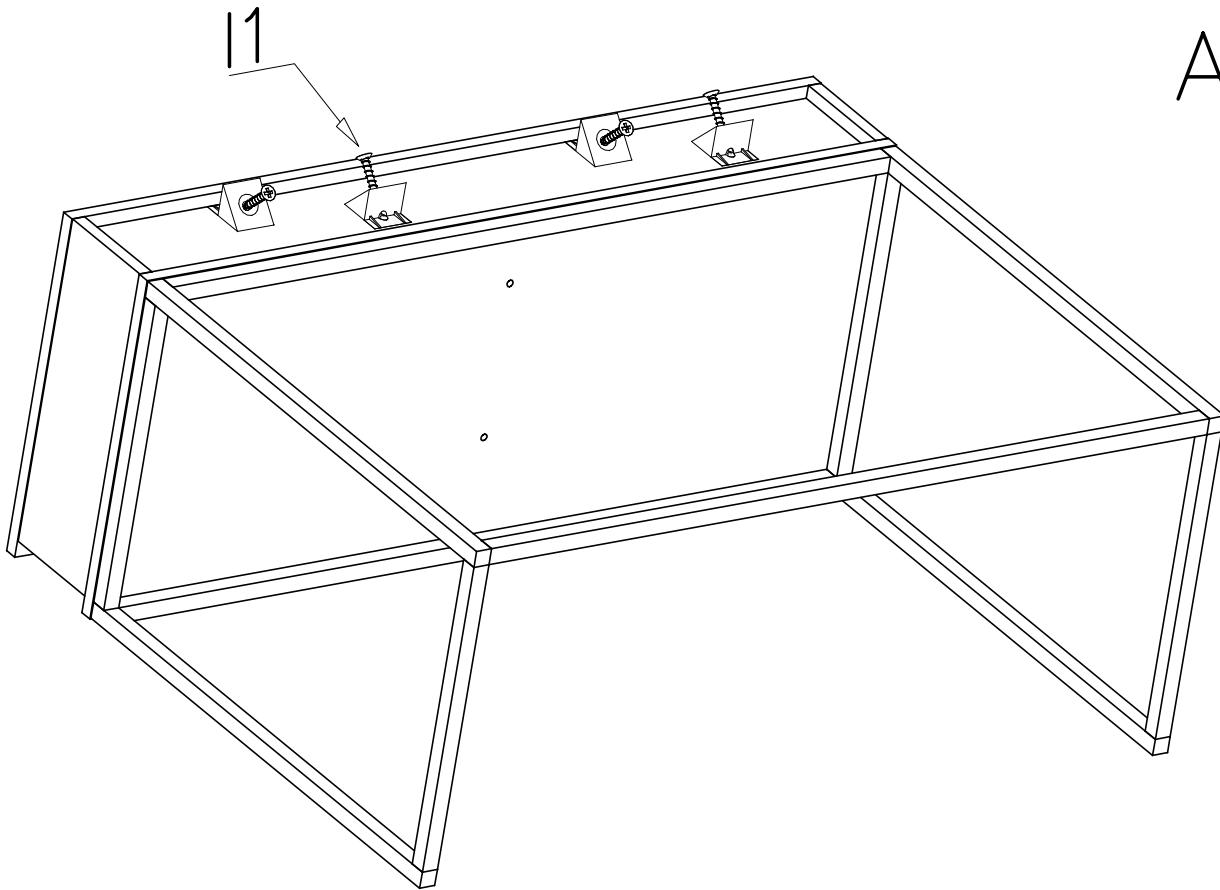
X

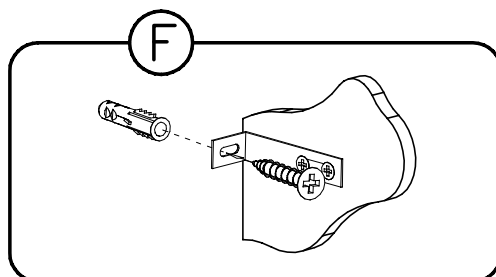
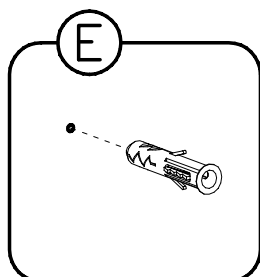
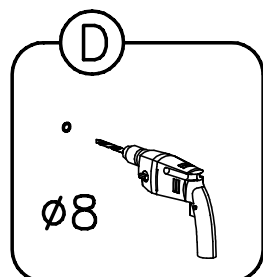
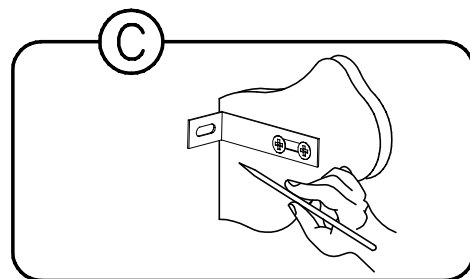
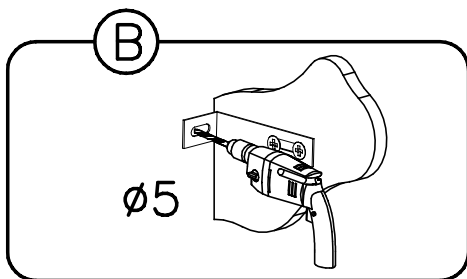
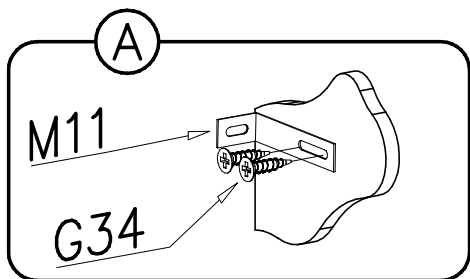


XI

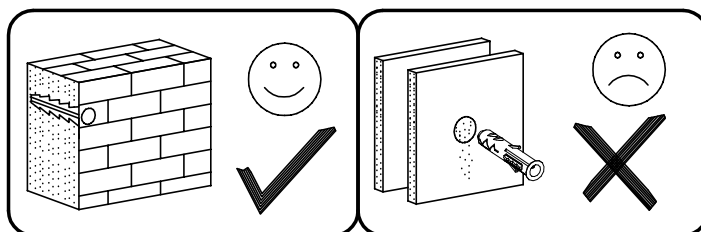
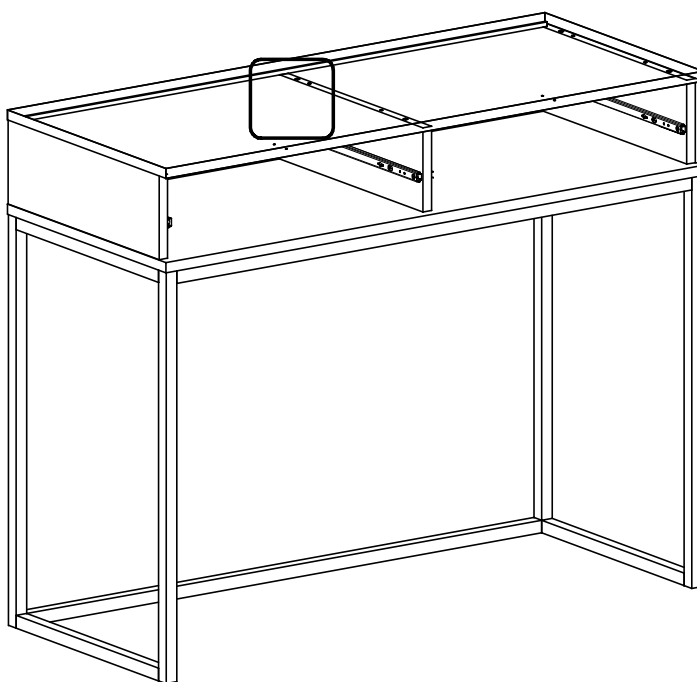


A=B

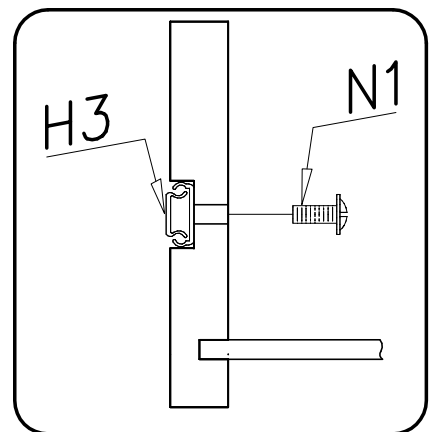
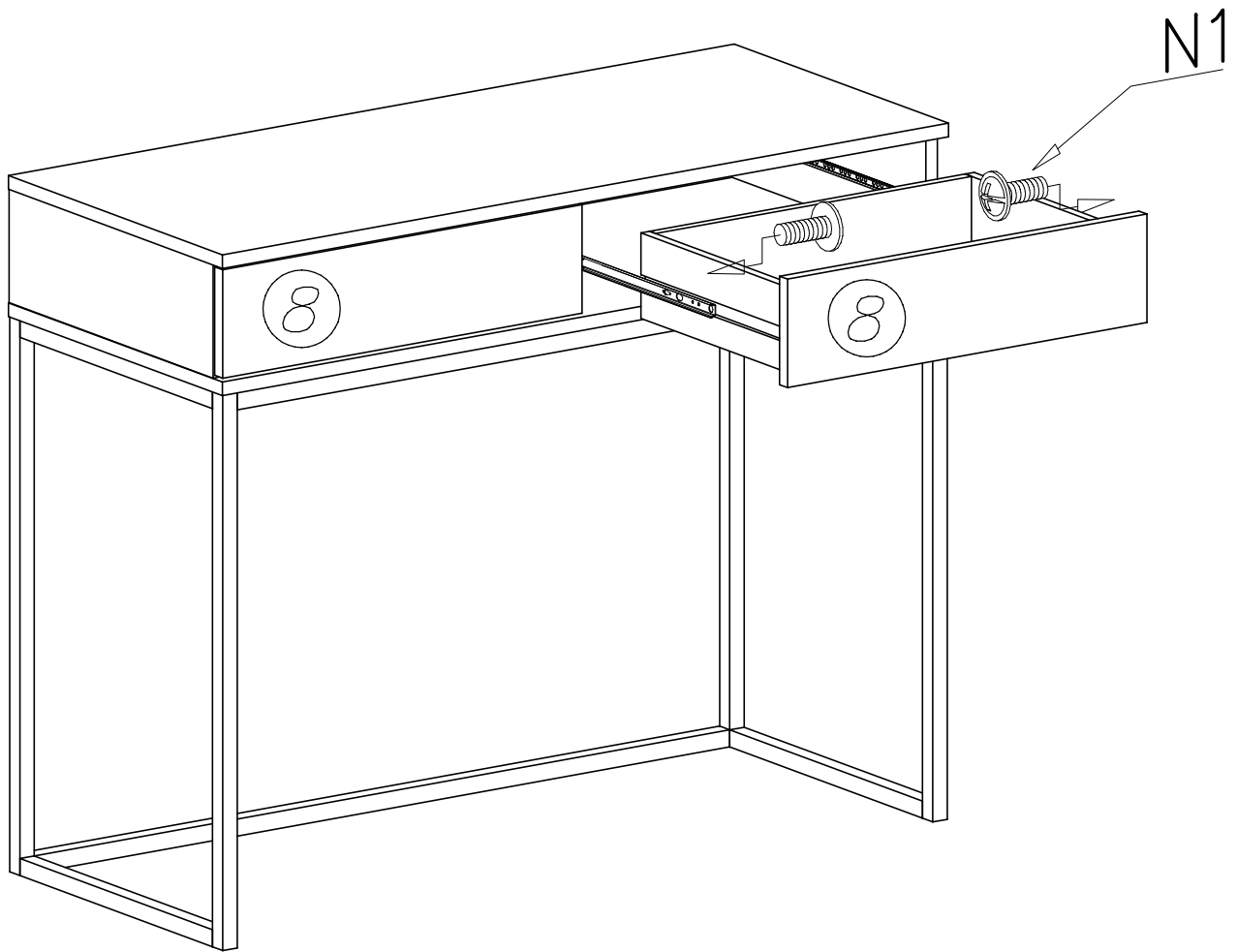


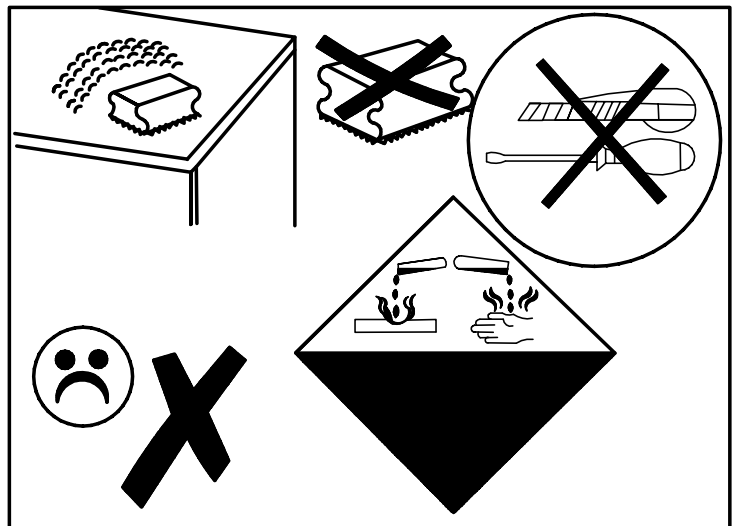
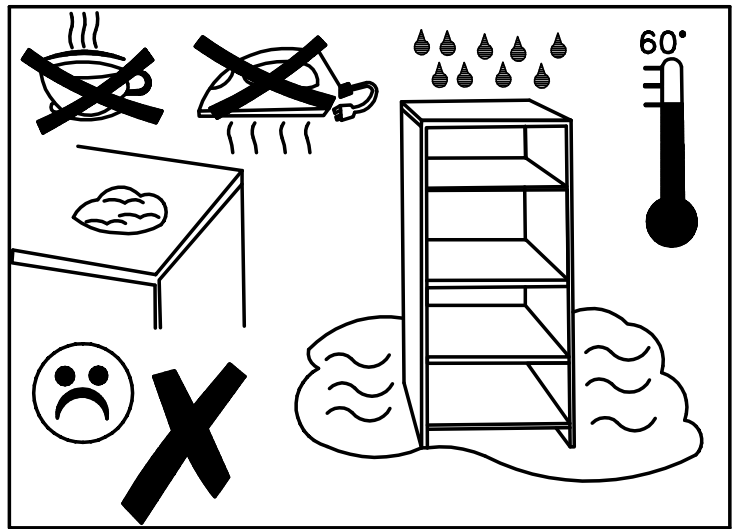
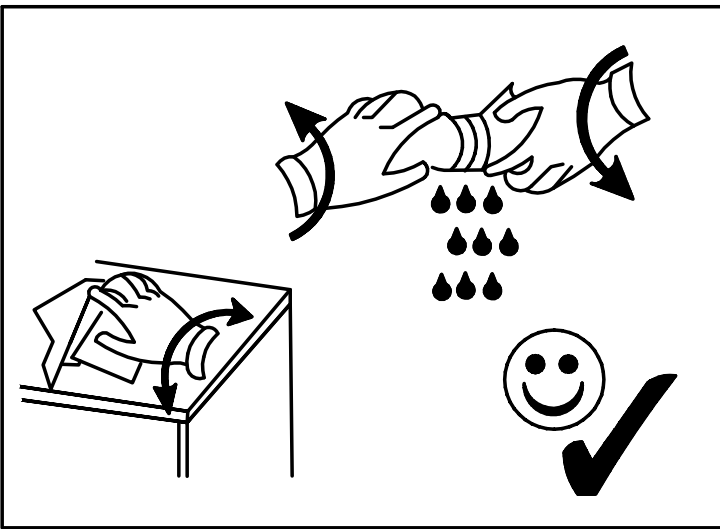
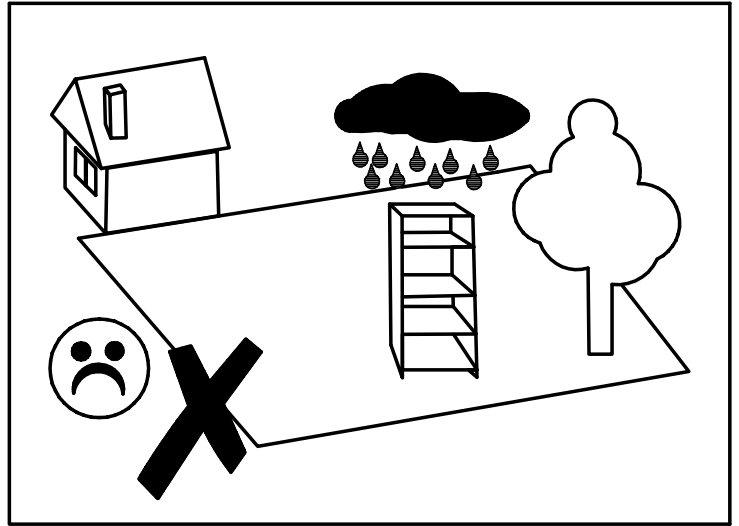
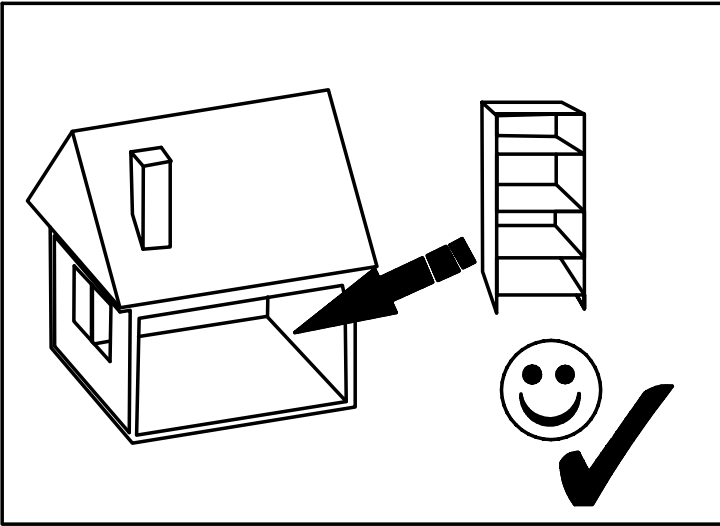
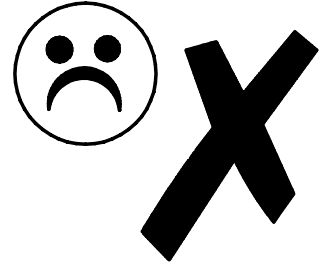


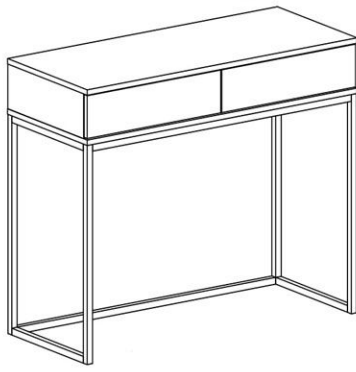
XII



XIII







1

A



x1

B



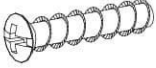
x1

C



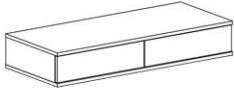
x4

D



x8

E

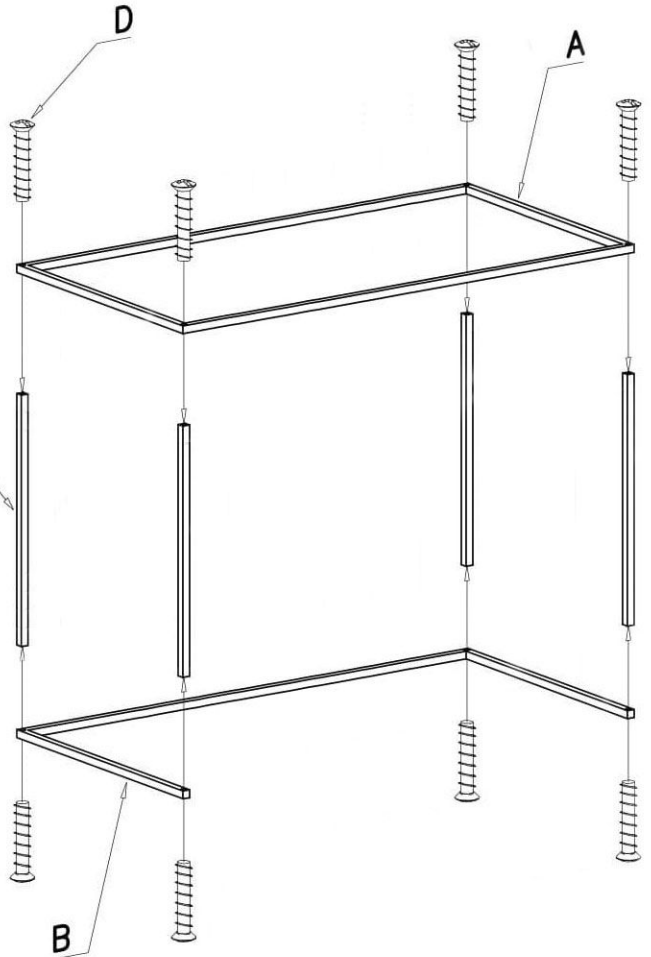
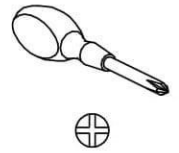


x1

F



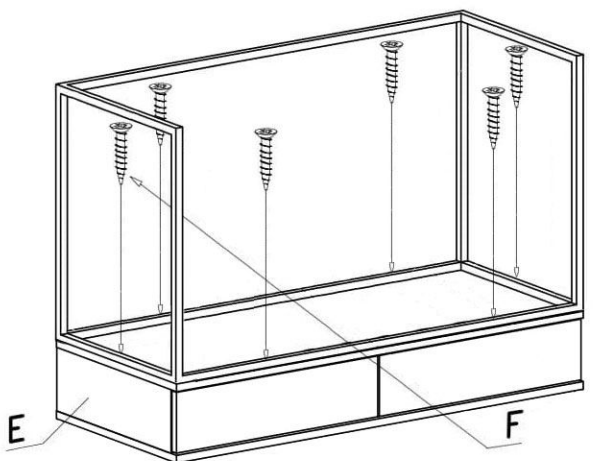
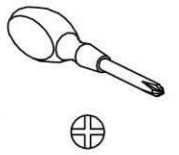
x6



C

B

2



E

F