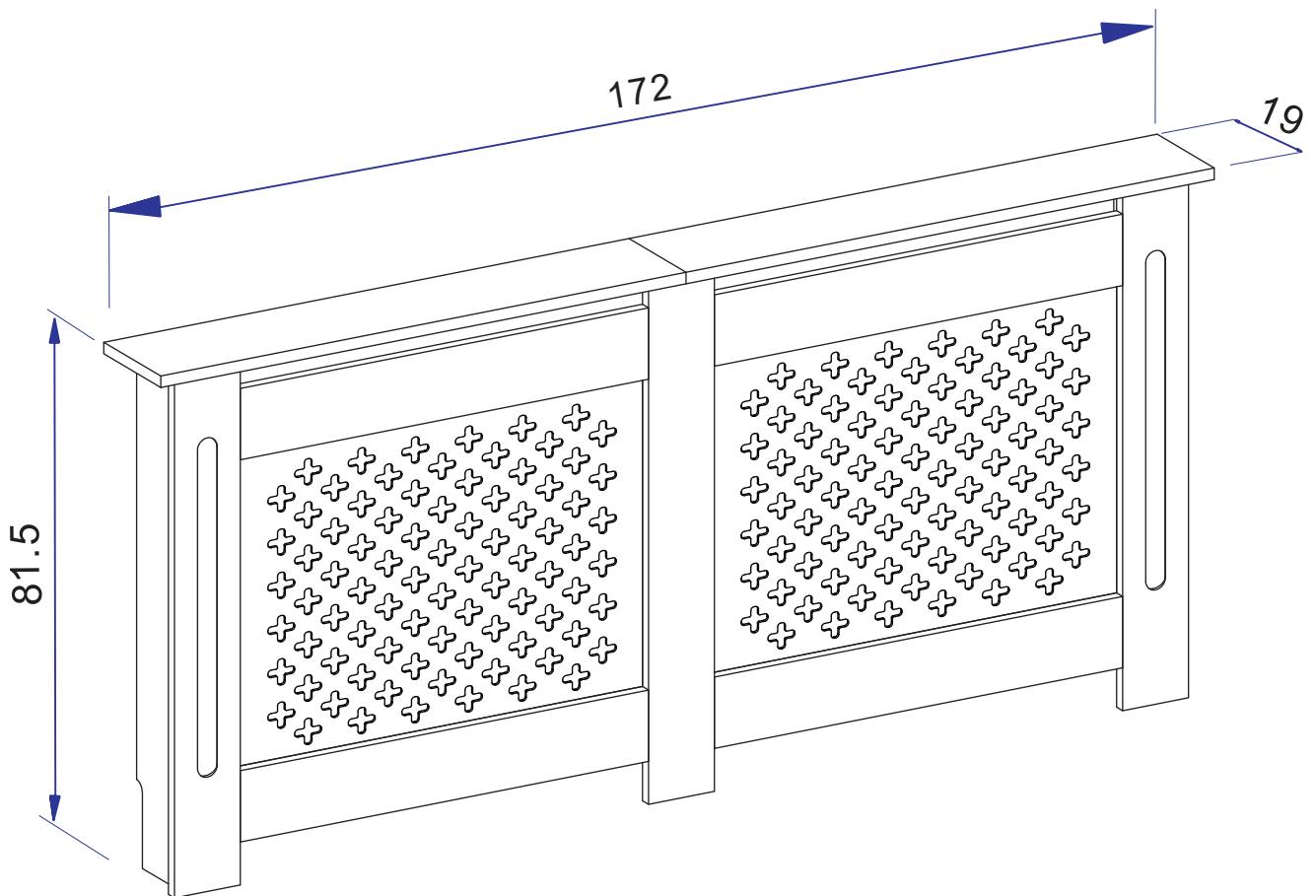


Extra Large Cross Radiator Cover

Assembly Instructions – Please keep for future reference



Dimensions	No. people	Assembly Time
Width: 172 cm Depth: 19 cm Height: 81.5 cm		30 mins (approx.)

Important

- PLEASE READ THESE INSTRUCTIONS FULLY BEFORE STARTING ASSEMBLY
- PLEASE DO NOT THROW THE PACKAGING AWAY UNTIL YOU ARE SATISFIED WITH PURCHASE, GOODS NEED TO BE RETURNED IN ORIGINAL PACKAGING.

! Safety and Care Advice

Important

- PLEASE READ THESE INSTRUCTIONS FULLY BEFORE STARTING ASSEMBLY
- PLEASE DO NOT THROW THE PACKAGING AWAY UNTIL YOU ARE SATISFIED WITH PURCHASE, GOODS NEED TO BE RETURNED IN ORIGINAL PACKAGING.

- Check you have all the components and tools listed on pages 4 and 5.
- Remove all fittings from the plastic bags and separate them into their groups.
- Keep children and animals away from the work area, small parts could choke if swallowed.
- Make sure you have enough space to lay out the parts before starting.
- Do not stand or put weight on the product, this could cause damage.
- Assemble the item as close to its final position (in the same room) as possible.
- Assemble on a soft, level surface to avoid damaging the unit or your floor.
- We do not recommend the use of power drill/drivers for inserting screws, as this could damage the unit. Only use hand screwdrivers.
- Dispose of all packaging carefully and responsibly.



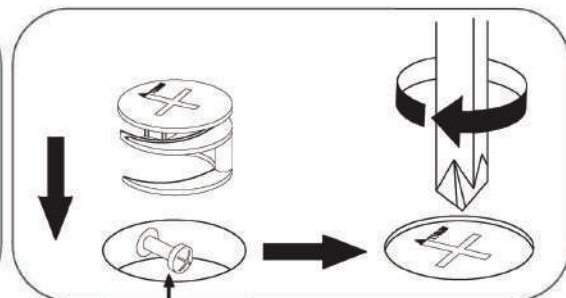
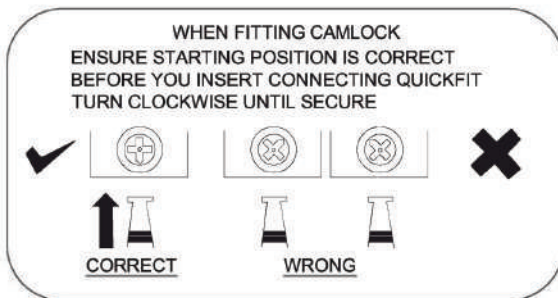
Care and Maintenance

- Only clean using a damp cloth and mild detergent, do not use bleach or abrasive cleaners.
- From time to time check that there are no loose screws on this unit.
- This product should not be discarded with household waste. Take to your local authority waste disposal centre.

If kept outside please ensure in the winter months that the product is correctly covered or put away into a dry environment to prevent corrosion, weathering or damage.

If your product is not designed to be outside, we recommend that it is always kept indoors in a dry environment.

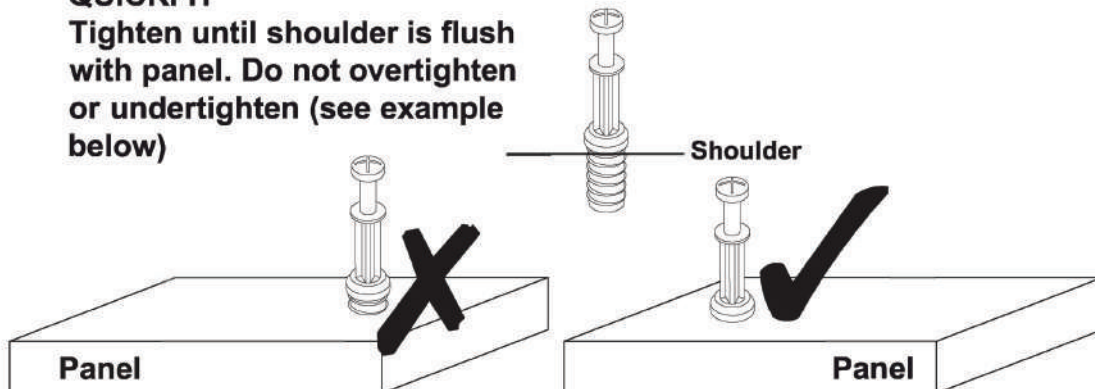
SPECIAL TIPS FOR FITTING CAM-LOCKS AND QUICKFIT



Quickfit head needs to be in centre

QUICKFIT

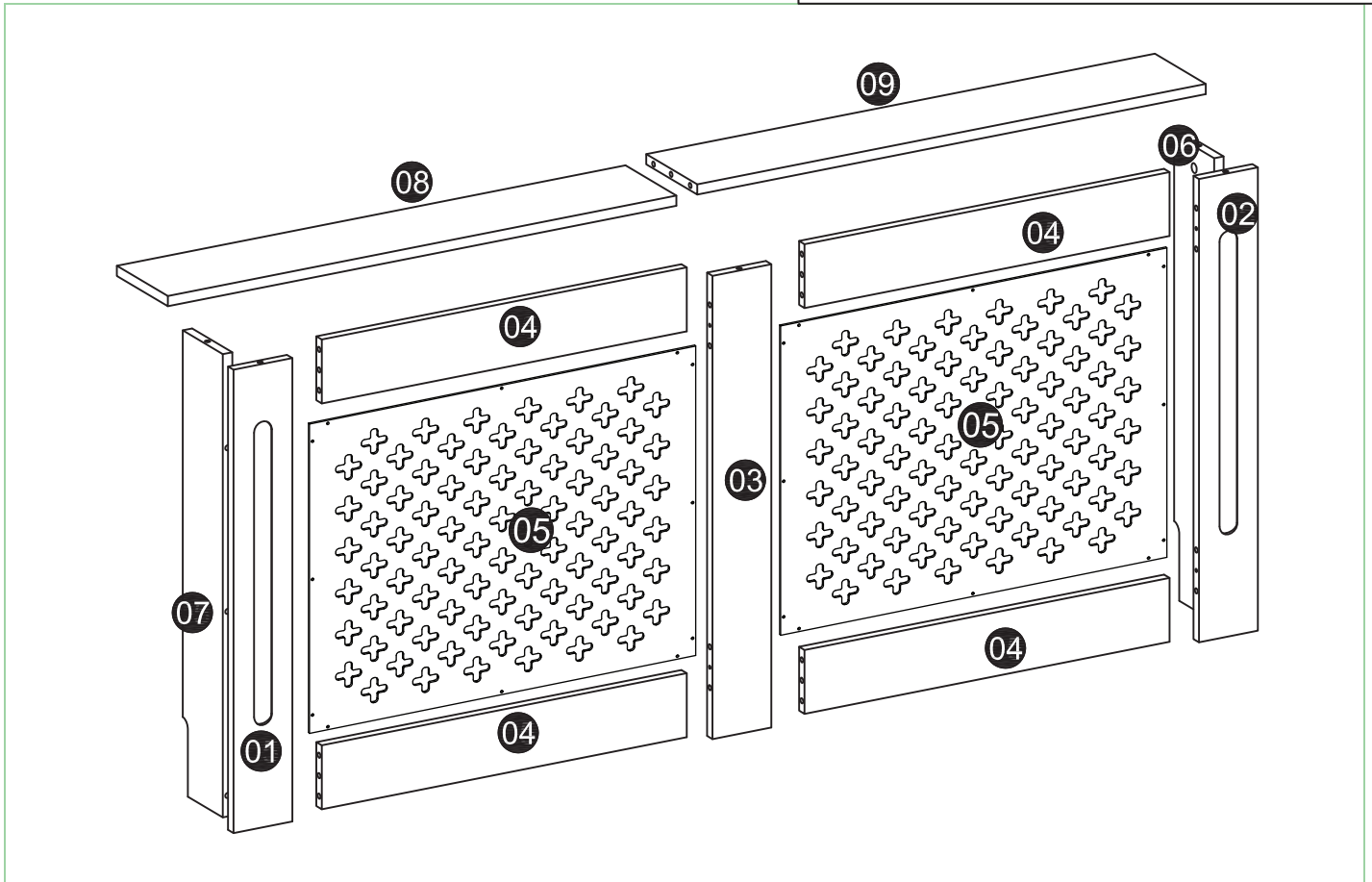
Tighten until shoulder is flush with panel. Do not overtighten or undertighten (see example below)



If you are unhappy with the product and wish to return it, please follow the retailer's returns procedure.

Exploded View

If you have damaged or missing components,
email: aftersales@gpmfurniture.co.uk



Components - Panels

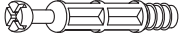



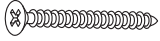


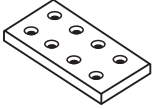

Please check that you have all the components listed below before constructing your item.

Part No	Description	Qty	Size (mm)	Thickness (mm)
1	LEFT FRONT FRAME PANEL	1	810x113	12
2	RIGHT FRONT FRAME PANEL	1	810x113	12
3	CENTRAL PANEL	1	810x113	12
4	TOP AND BOTTOM FRONT PANEL	4	656x105	12
5	CENTRAL CROSS PANEL	2	740x522	5
6	RIGHT SIDE PANEL	1	810x168	12
7	LEFT SIDE PANEL	1	810x168	12
8	LEFT TOP PANEL	1	860x190	12
9	RIGHT TOP PANEL	1	860x190	12

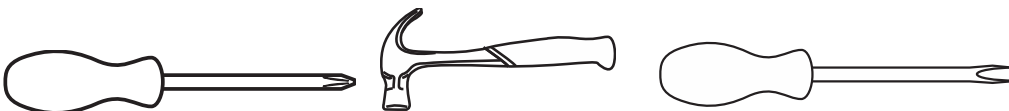
Components - Fixings

Please check that you have all the components listed below before constructing your item.

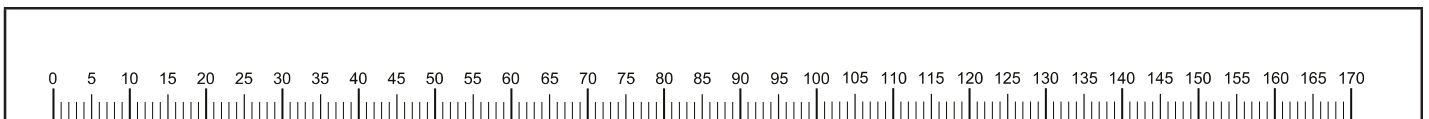
Note: The quantities below are the correct amount to complete the assembly. In some cases more fittings may be supplied than are required.

(A)	CAM lock dowel x20 	(B)	CAM lock x20 	(C)	Wood dowel x19 	(D)	Screw x20  Ø3x14mm
(E)	Screw x4 	(F)	Wall anchor x4 	(G)	Wood block x2 	(I)	Iron sheet x1 
(H)	Screw x8  Ø3x12mm						

Tools Required

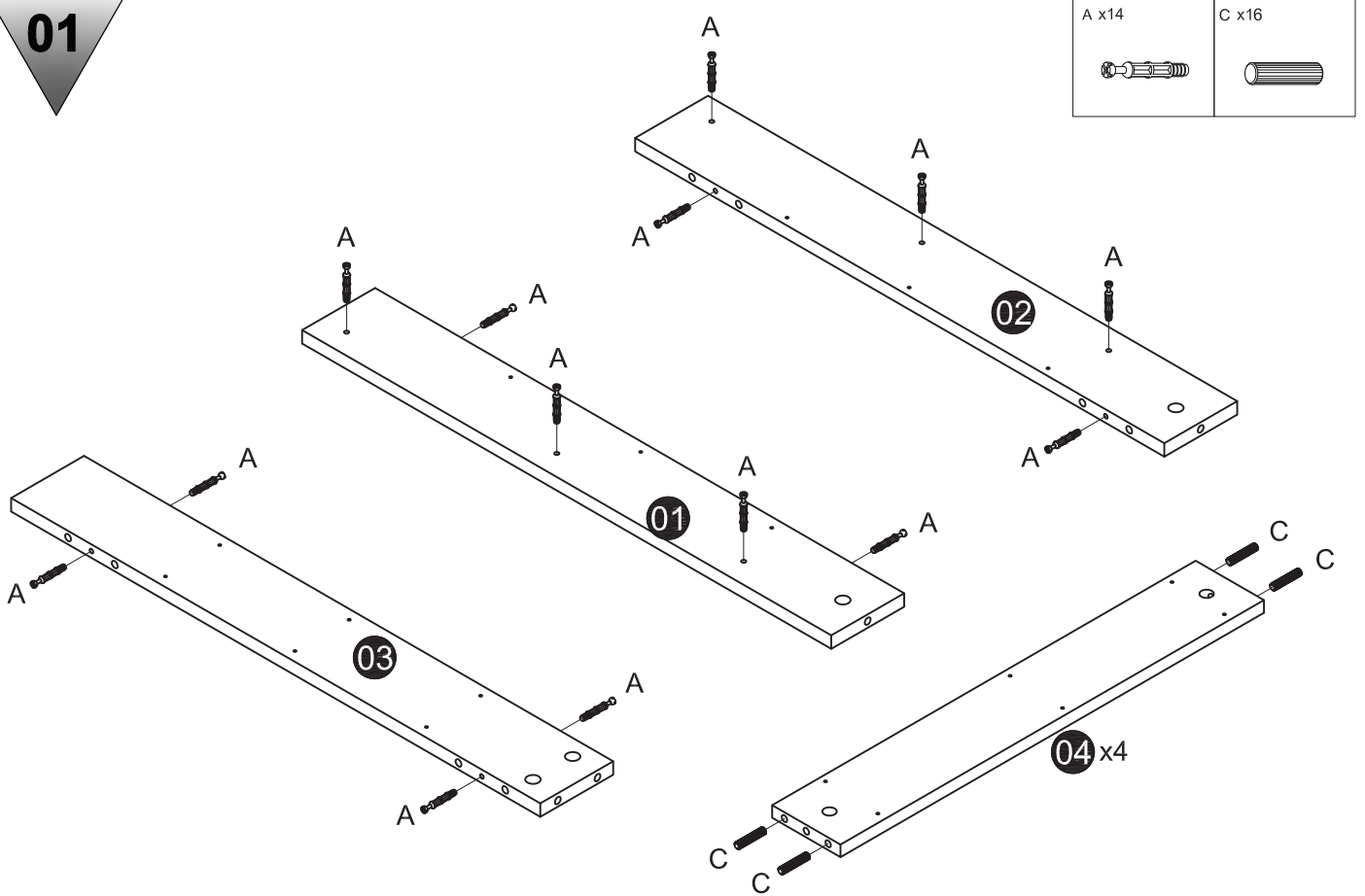


Ruler – Use this to measure your screws (mm)

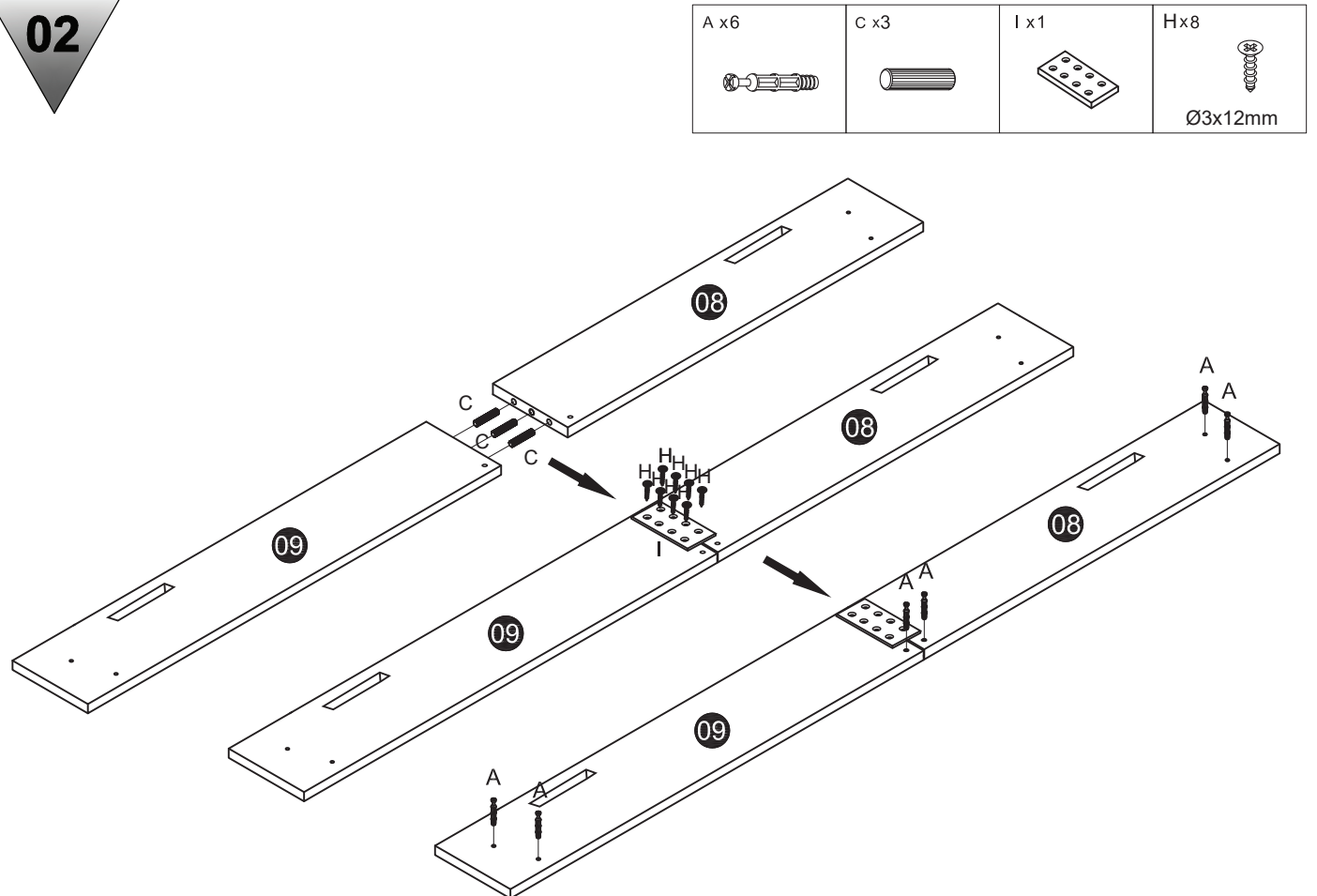


Assembly Instructions

01

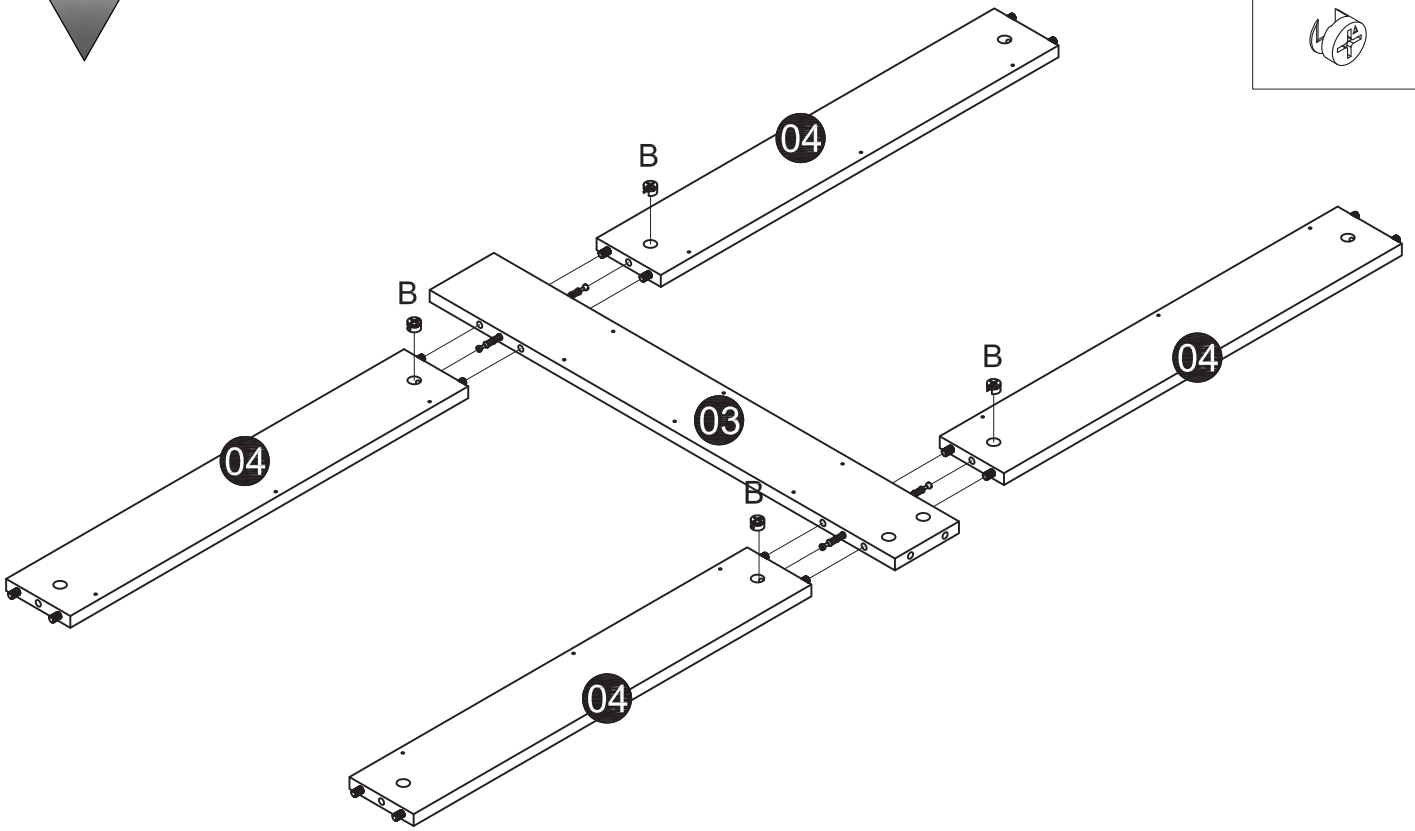


02



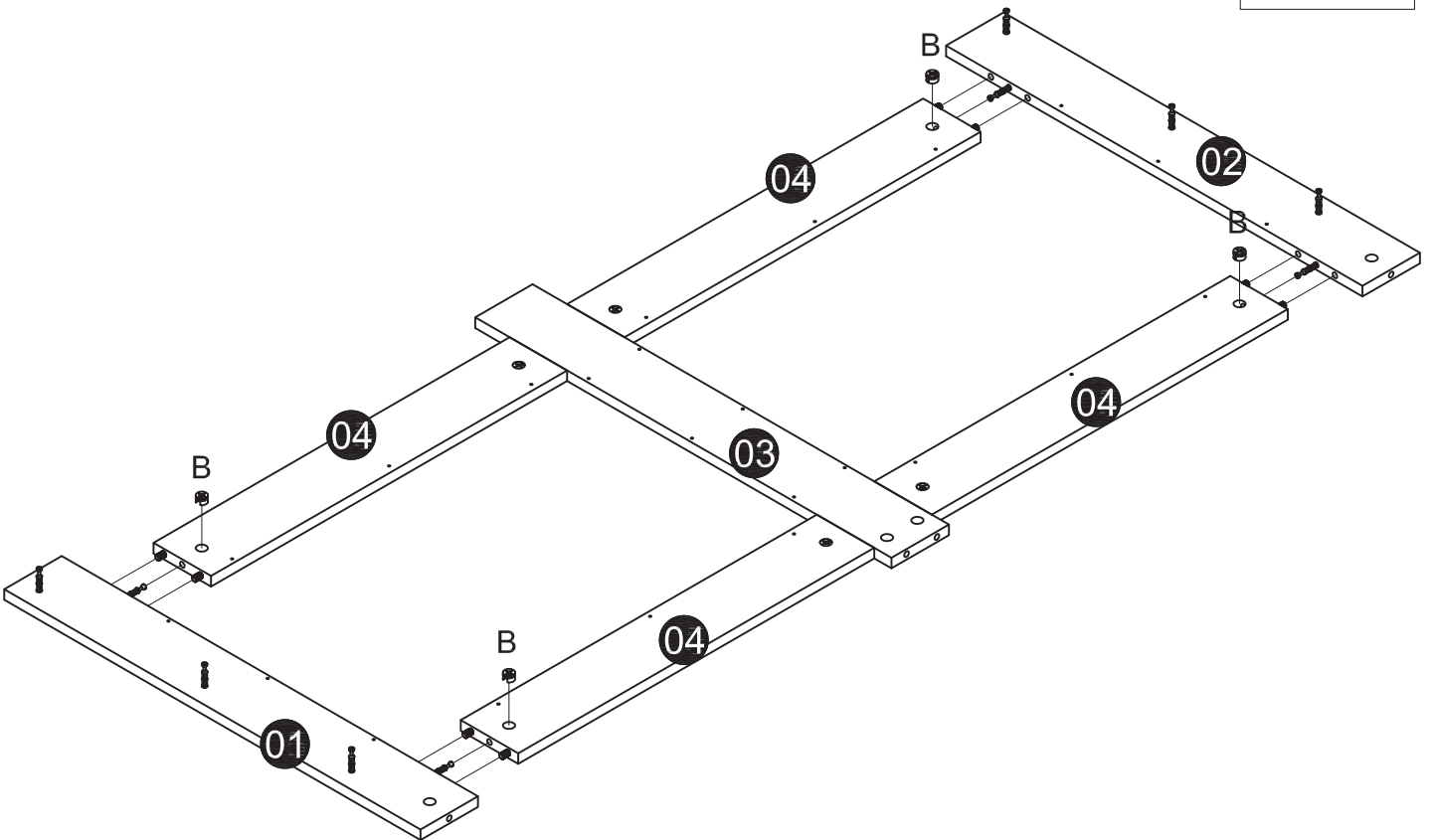
03

B x4




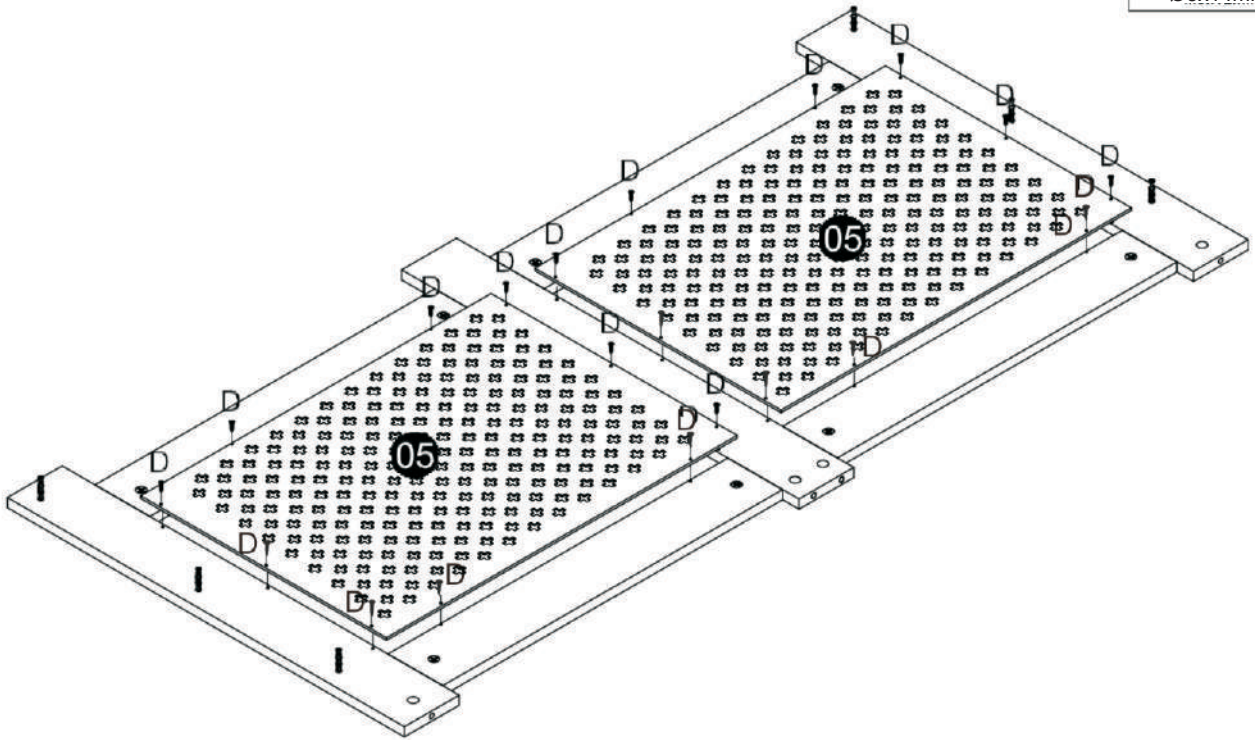
04

B x4



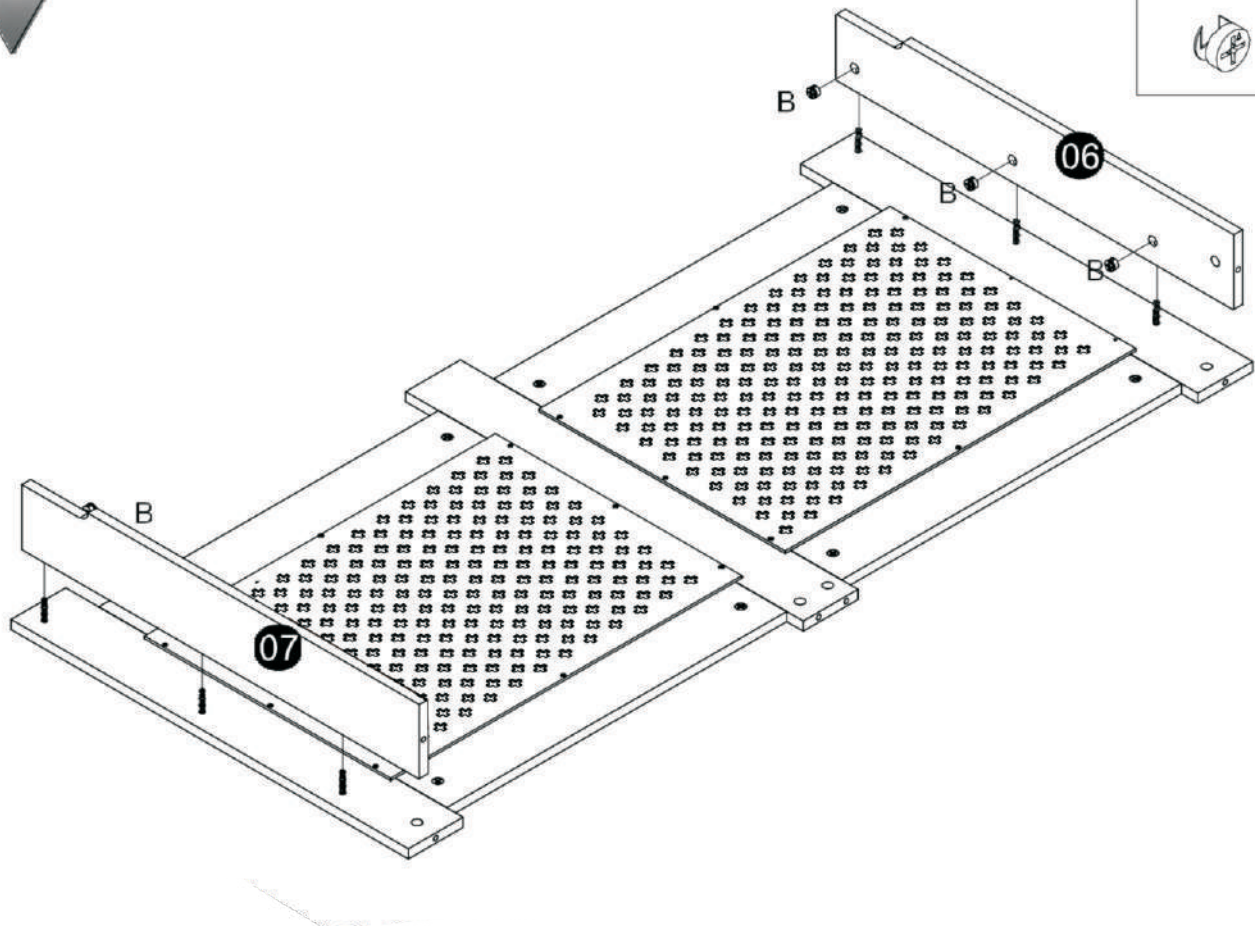
05

D Screw x20

Ø3x14mm



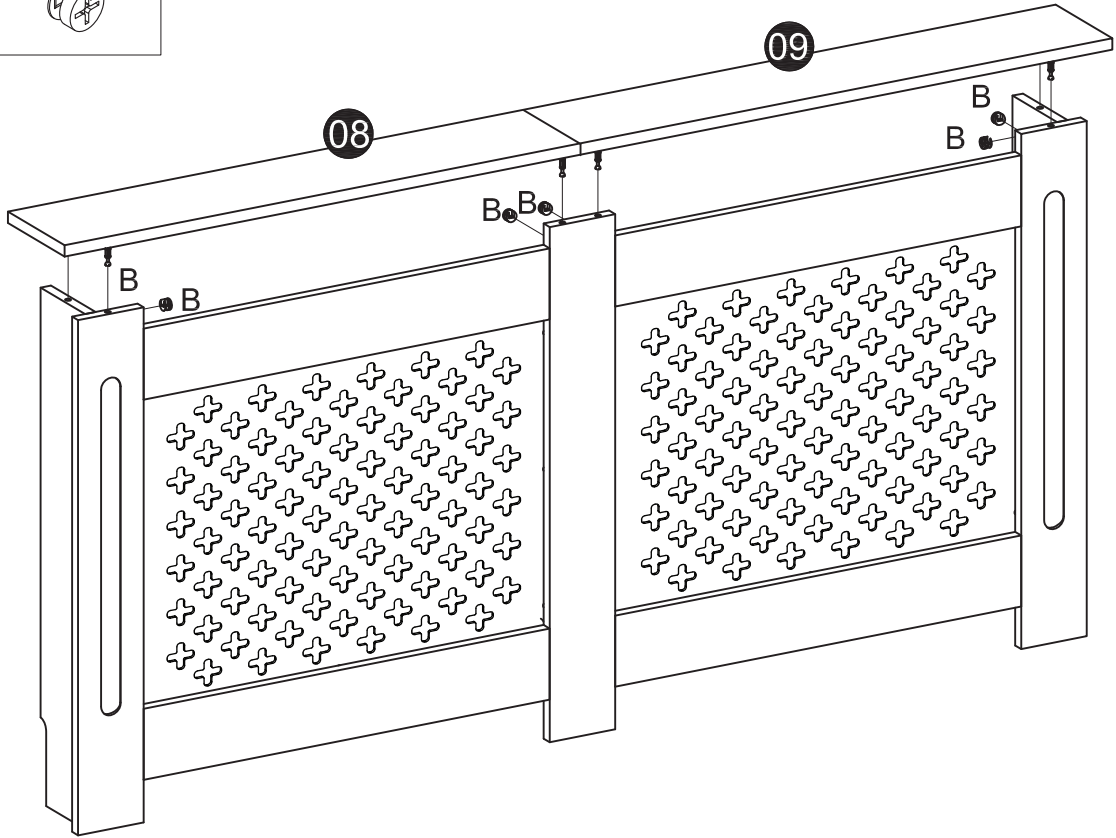
06

B CAM lock x6

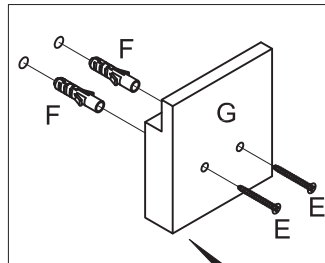



07

B x 6



08



E x 4



F x 4



G x 2

