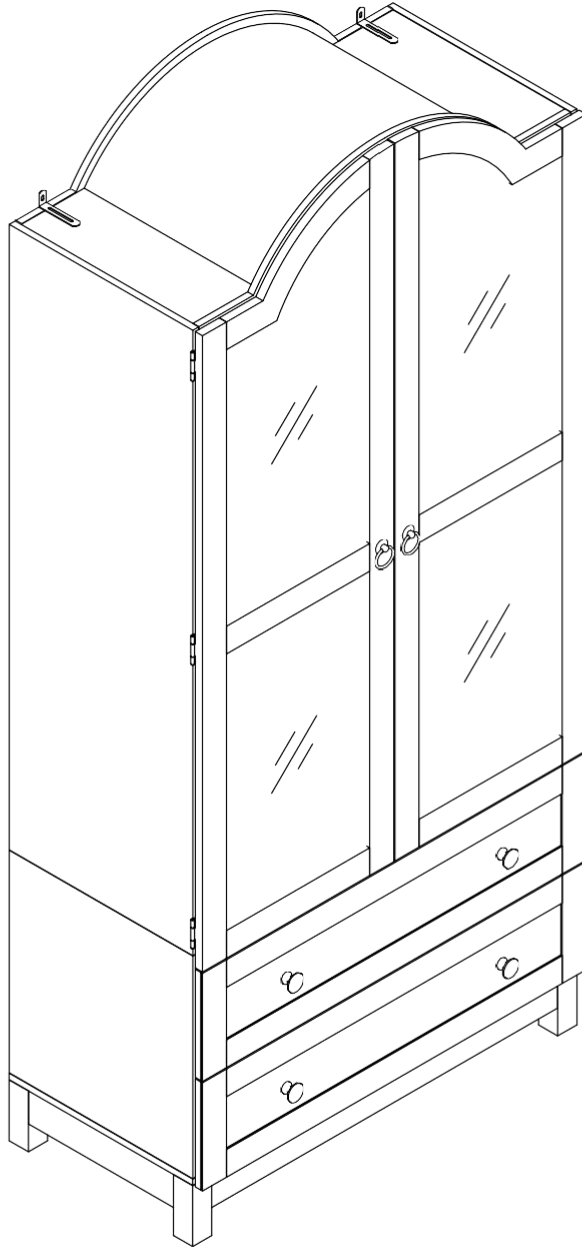
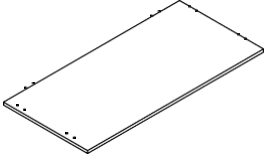
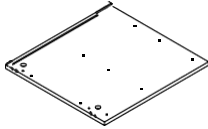
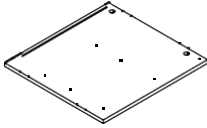
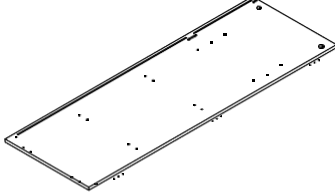
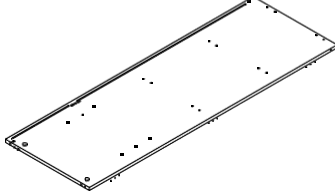
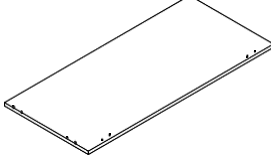
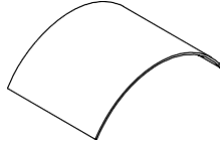
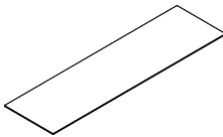
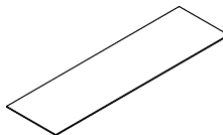


# Assembly Instructions

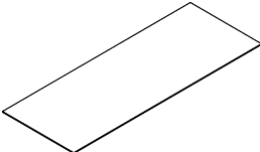
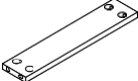
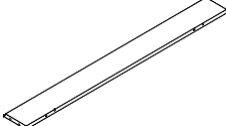
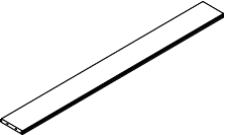
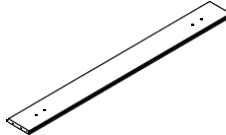
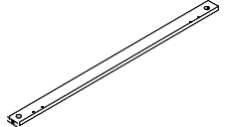
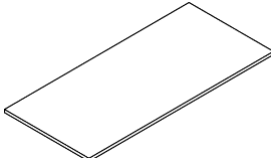
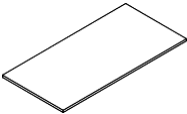



**Two-adults installation required**

## Component

Letter (number)	Part	Design	Quantity
①	Bottom Panel		x1
②	Lower Left Side Panel		x1
③	Lower Right Side Panel		x1
④	Upper Left Side Panel		x1
⑤	Upper Right Side Panel		x1
⑥	Lower Shelf		x1
⑦	Top Cover Panel		x1
⑧	Lower Back Panel		x1
⑨	Central Back Panel		x3


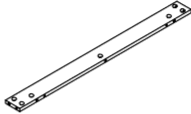
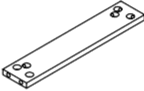


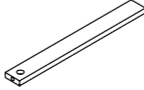
## Component

Letter (number)	Part	Design	Quantity
<b>10</b>	Upper Back Panel		<b>x1</b>
<b>11</b>	Top Reinforcing Strip		<b>x1</b>
<b>12</b>	Back Reinforcing Strip		<b>x1</b>
<b>13</b>	Back Reinforcing Strip		<b>x1</b>
<b>14</b>	Back Reinforcing Strip		<b>x1</b>
<b>15</b>	Front Reinforcing Strip		<b>x1</b>
<b>16</b>	Adjustable Shelf Panel		<b>x1</b>
<b>17</b>	Upper Shelf Panels		<b>x2</b>
<b>18</b>	Arched Top Back Panel		<b>x1</b>







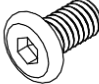
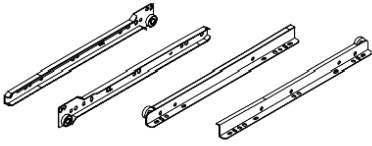
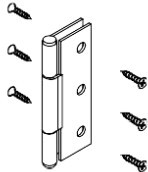
## Component

Letter (number)	Part	Design	Quantity
<b>19</b>	Arched Front Panel		x1
<b>20</b>	Drawer Front Panel		x2
<b>21</b>	Left Drawer Side Panel		x2
<b>22</b>	Right Drawer Side Panel		x2
<b>23</b>	Drawer Back Panel		x2
<b>24</b>	Drawer Bottom Support Rail		x2
<b>25</b>	Drawer Bottom Panel		x2
<b>26</b>	Edge Top Left Panel		x1
<b>27</b>	Edge Top Right Panel		x1

## Component

Letter (number)	Part	Design	Quantity
<b>28</b>	Cabinet Legs		x4
<b>29</b>	Long Apron Panel		x2
<b>30</b>	Short Apron Panel		x2
<b>31</b>	Left Door Panel		x1
<b>32</b>	Right Door Panel		x1
<b>33</b>	Top Edge Reinforcing Rail		x2

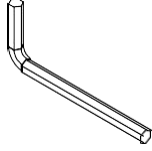
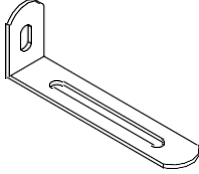
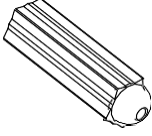
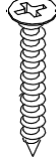

## Component

Letter (number)	Part	Design	Quantity
(A)	Cam Lock Dowels		x74+3
(B)	Camlocks		x82+3
(C)	Wooden Dowels		x38+2
(D)	Flat Head Screws M5*40mm		x38+2
(E)	Pan Head Screws M3×14mm		x24+2
(F)	Pan Head Screws M3×12mm		x20+2
(G)	Flat Head Hex Socket Cap Screw M6*10mm		x9+1
(H)	Drawer Rails 12"		x2
(J)	Hinges 2"		x6

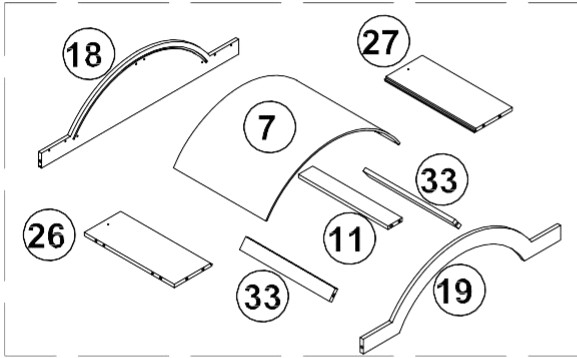
## Component

Letter (number)	Part	Design	Quantity
<b>K</b>	Magnetic Bump		x2
<b>L</b>	Shelf Brackets		x4
<b>M</b>	Back Panel Clips		x22
<b>N</b>	Round Knobs		x4
<b>O</b>	Self-Adhesive Anti-Collision Particles		x4
<b>P</b>	Ring Pull Handles		x2
<b>Q</b>	Double-ended Connector Rods		x4
<b>R</b>	Phillips Screwdriver		x1
<b>S</b>	Hex Key M3		x1

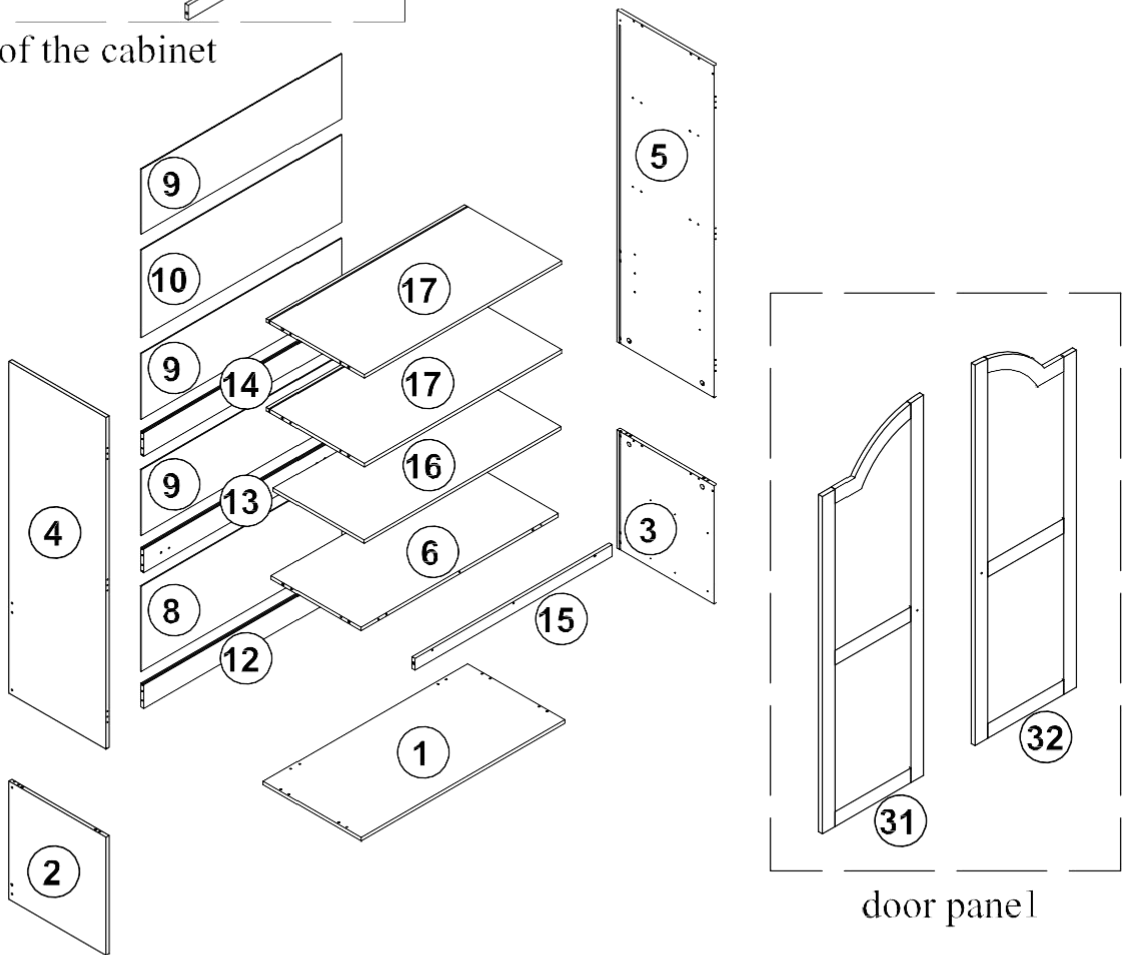
## Component

Letter (number)	Part	Design	Quantity
T	Hex Key M4		x1
U	L-Shaped Corner Codes		x2
V	Wall Plugs		x2
W	Pan Head Screws M3.5×35		x2
X	Pan Head Screws M3.5×12		x2

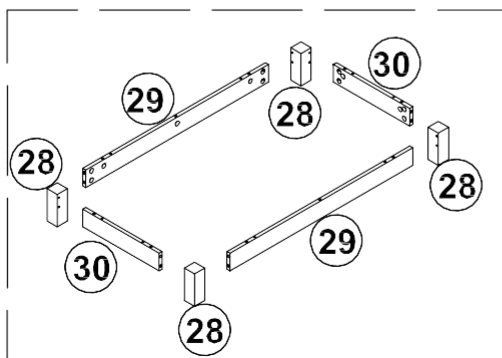
**Before starting the installation, let's have an understanding of the main parts of the product.**



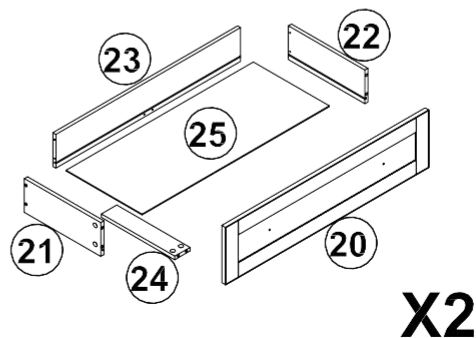
the top of the cabinet



door panel



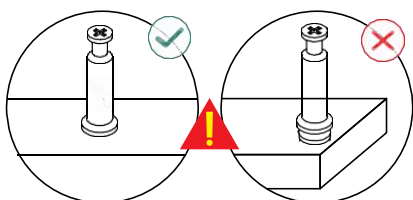
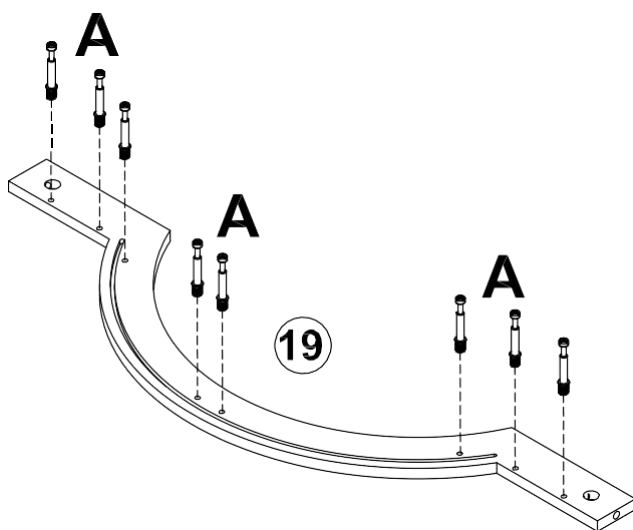
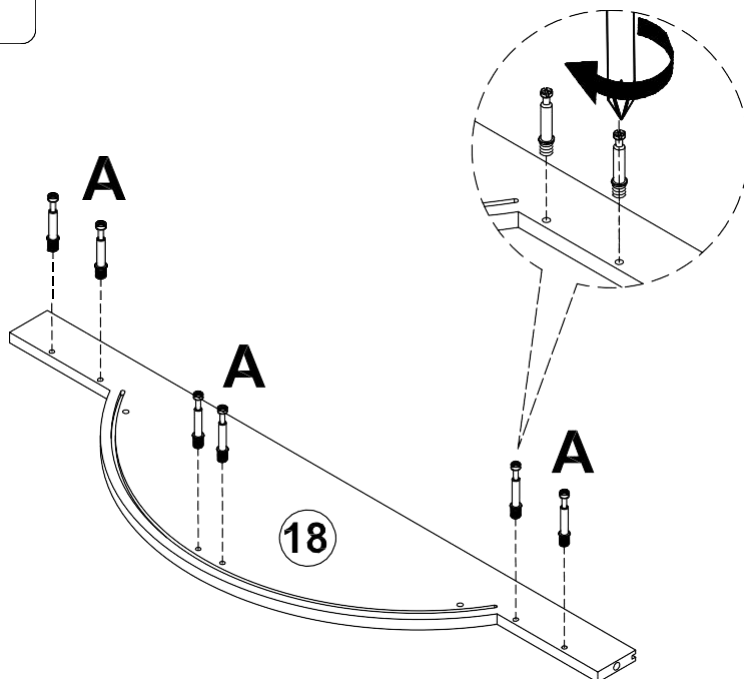
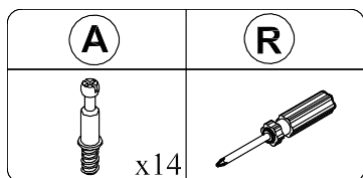
cabinet foot





drawer

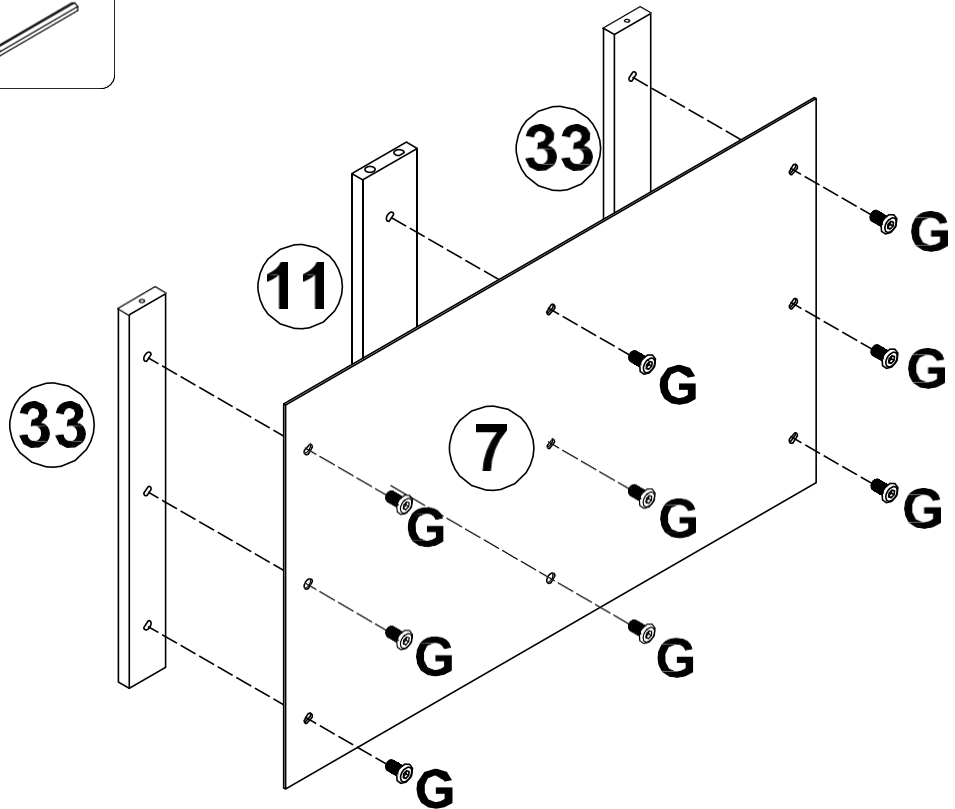
**X2**

# STEP 1

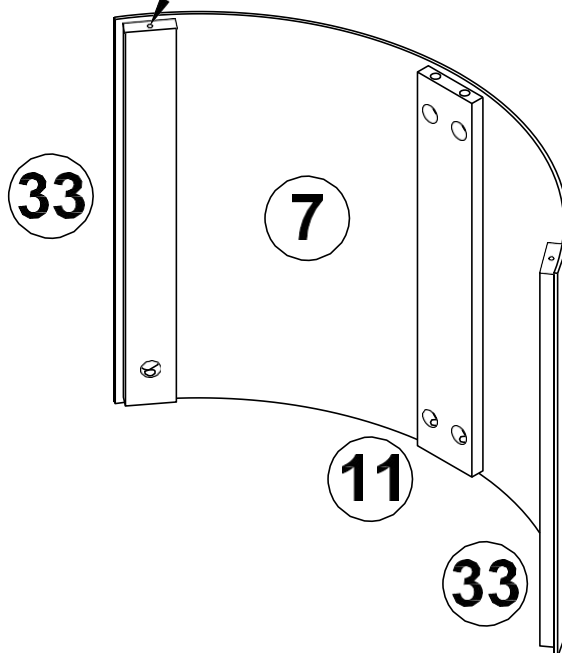


# STEP 2

<b>G</b>	<b>T</b>
 x9	M4 

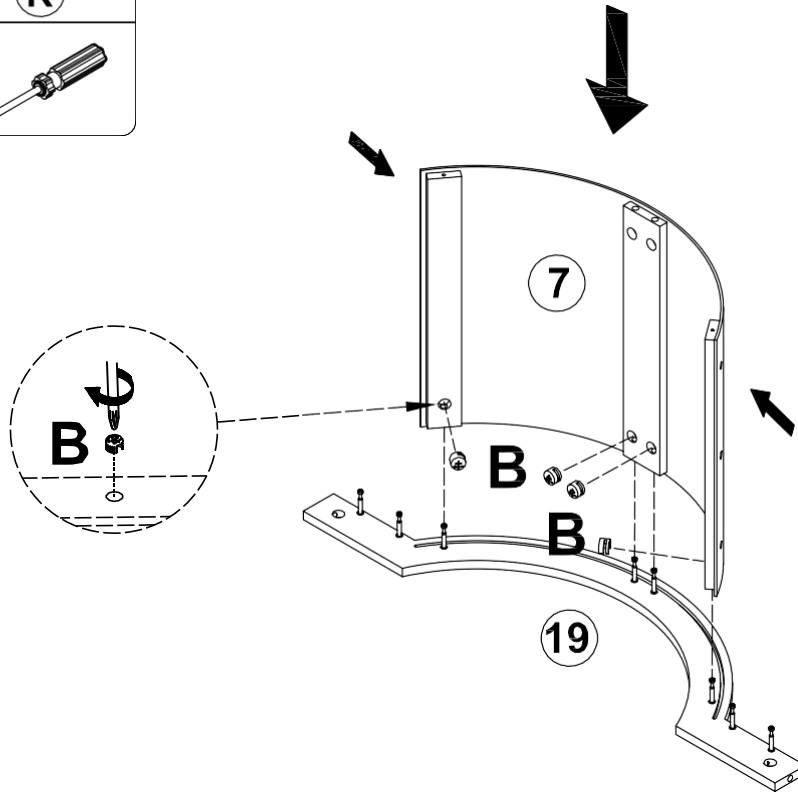
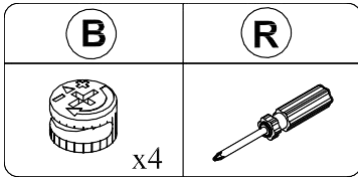


Please note that the hole orientation on both ends of panels **33** must be consistent.

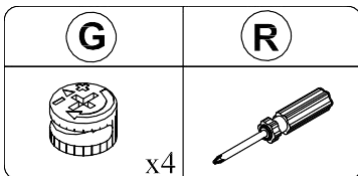


**Note:** Tighten the **(G)** screw to one-third; do not fully tighten it.

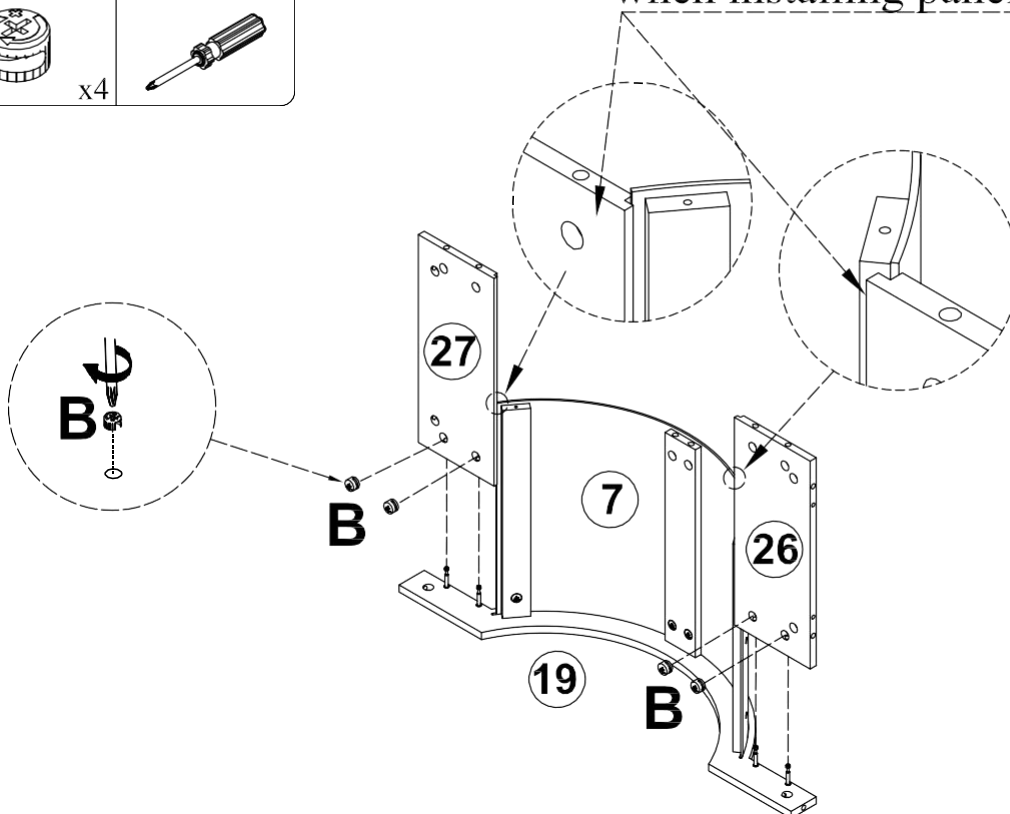
# STEP 3







# STEP 4

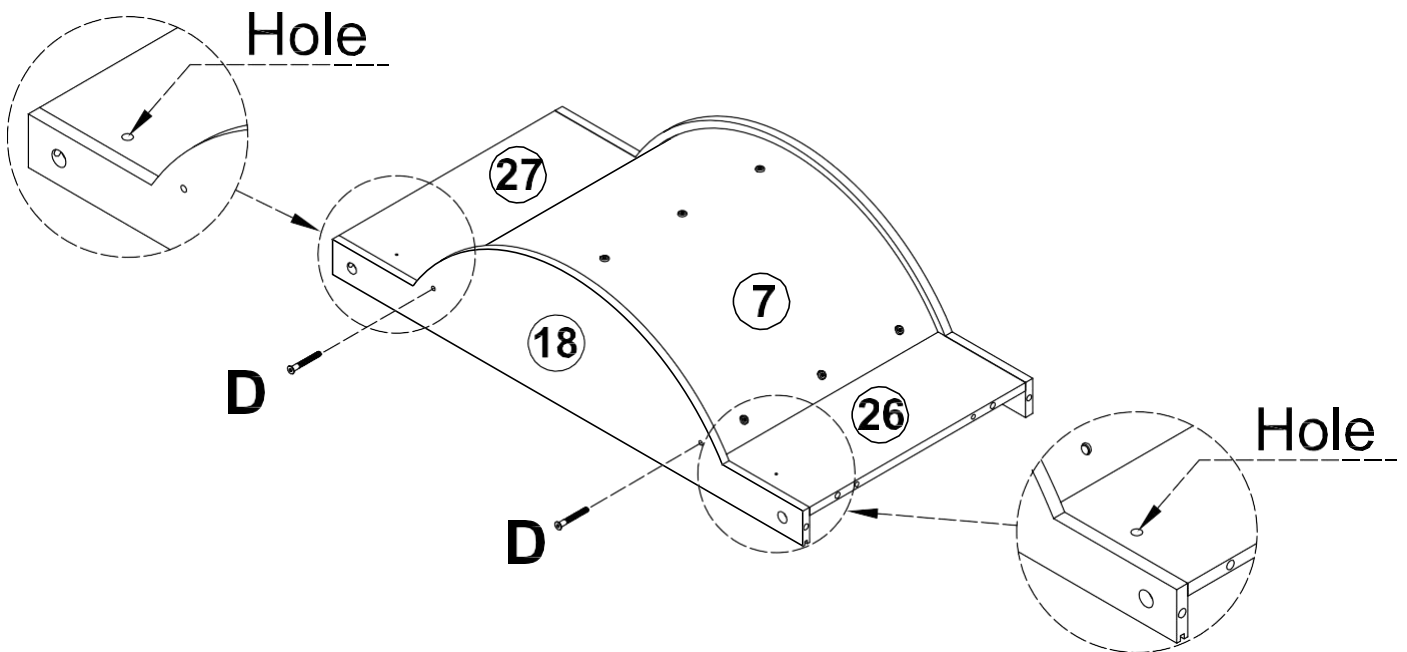
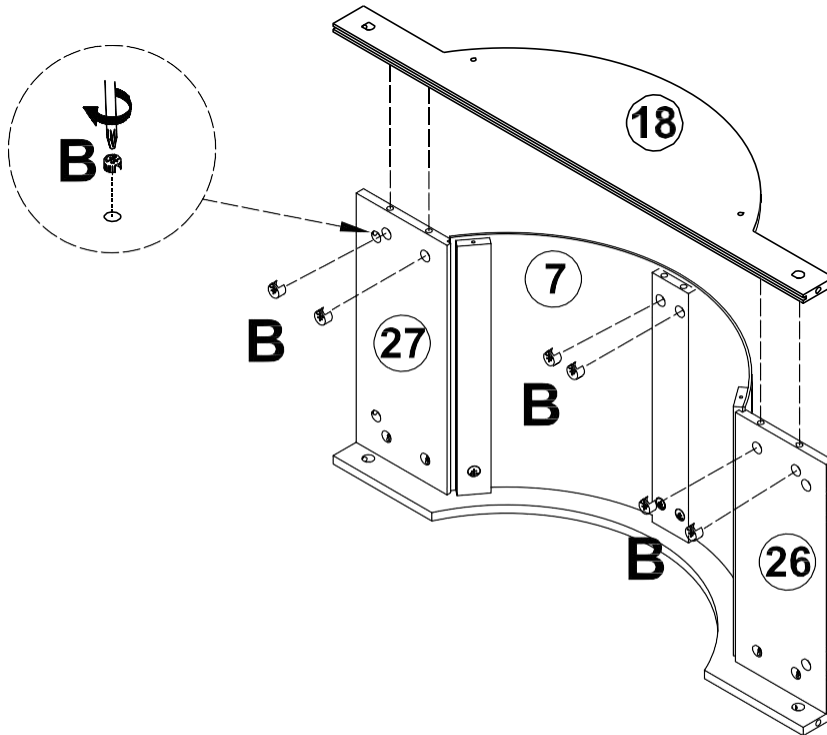


Please note the slot orientation of panels **26** and **27** to avoid gaps when installing panel **7**.





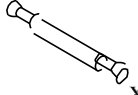
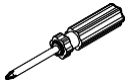
# STEP 5

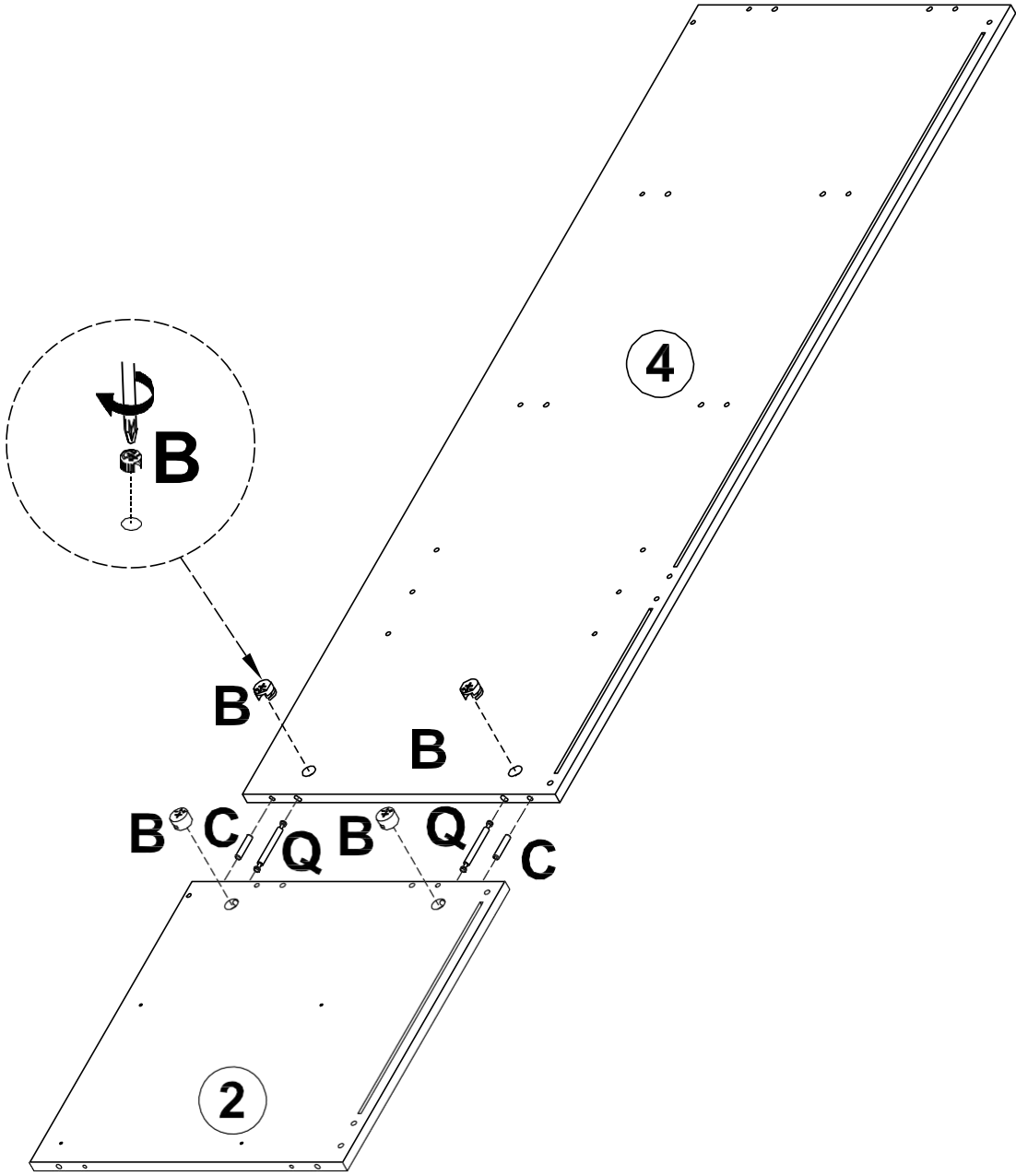
<b>B</b>  x6	<b>D</b>  x2	<b>S</b> M3 	<b>R</b> 
---	---	---	---






Please note the orientation of the anti-tipping component holes on panels # **26** and # **27** to avoid incorrect installation.

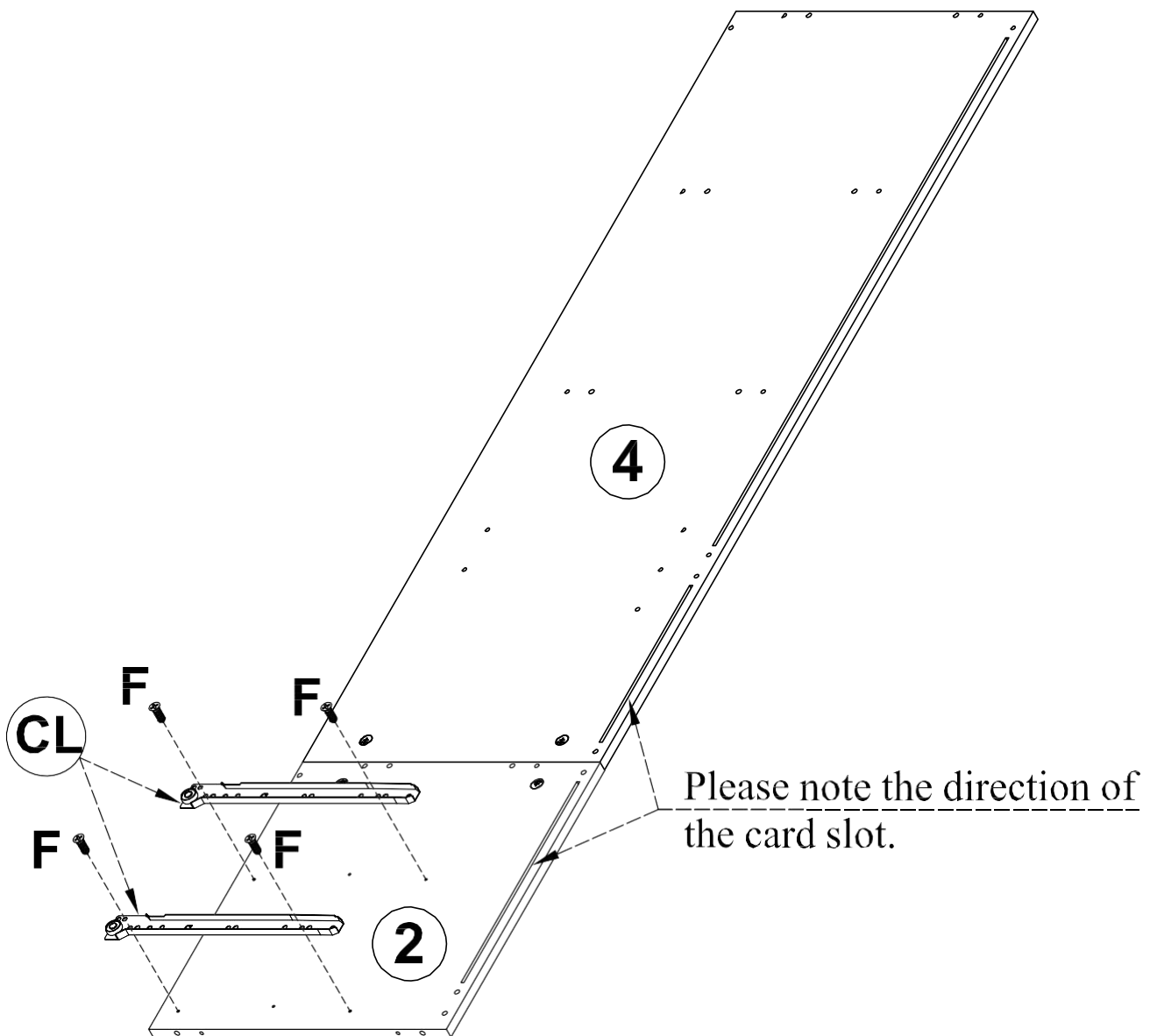
# STEP 6

<b>B</b>  x4	<b>C</b>  x2	<b>Q</b>  x2	<b>R</b> 
---	---	---	---






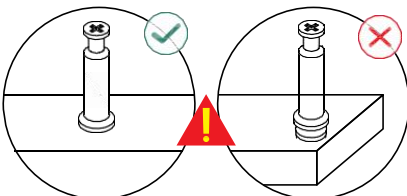
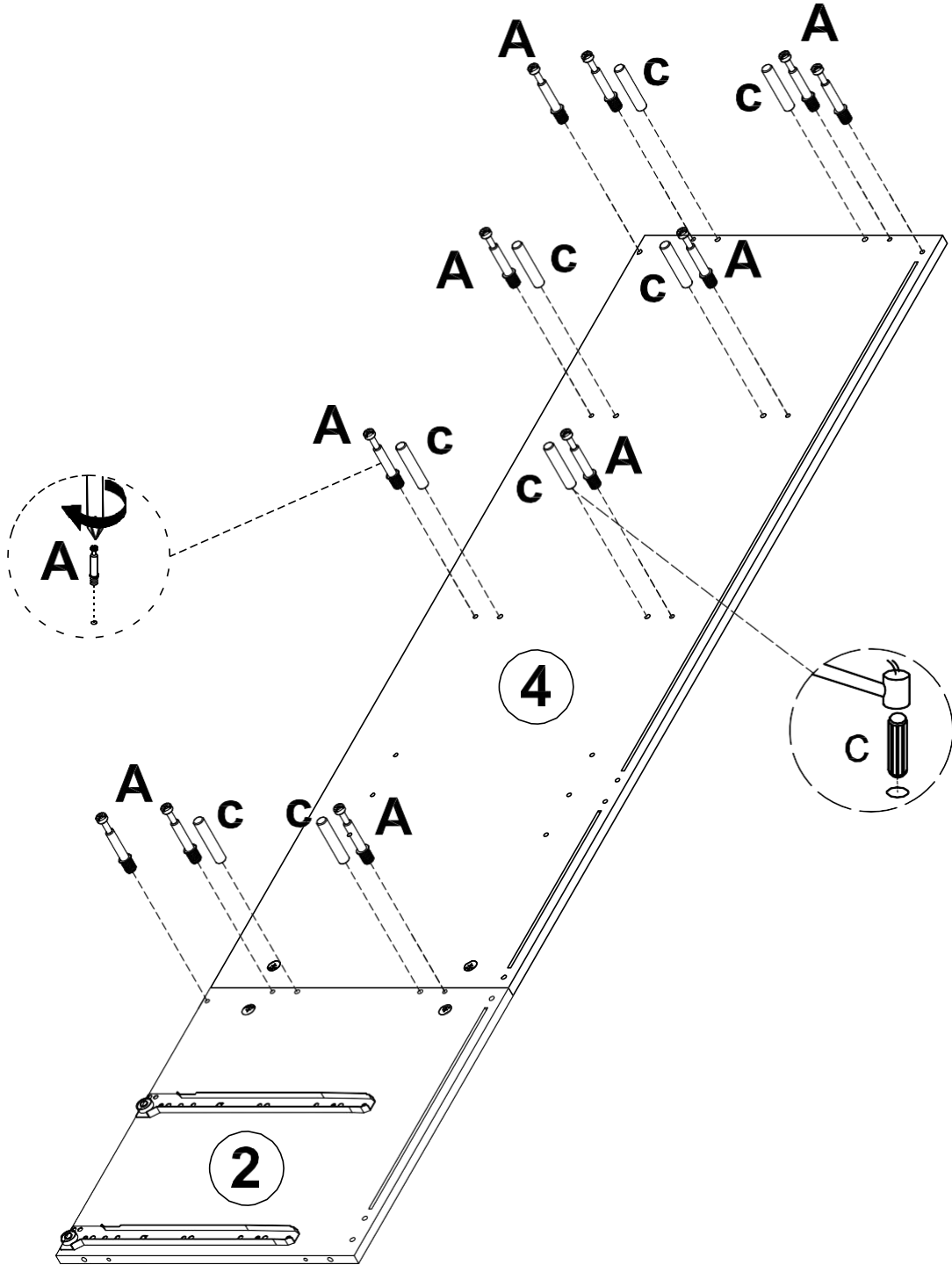
# STEP 7

<b>F</b>  x4	<b>H</b> CL  x2	<b>R</b> 
---	---	---


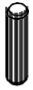
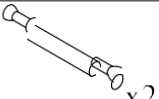
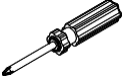


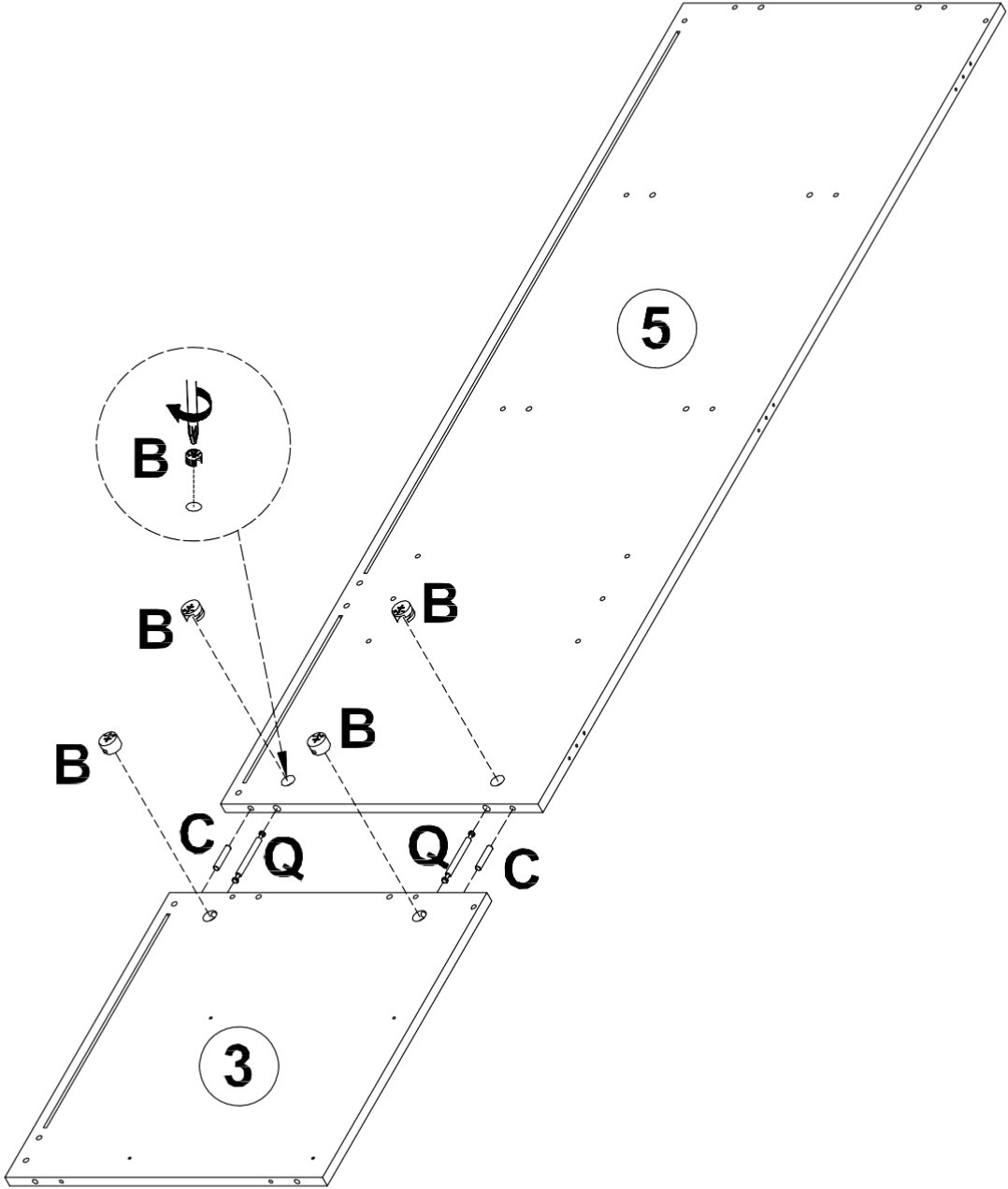
# STEP 8

<b>A</b>  x11	<b>C</b>  x8	<b>R</b> 
--	---	---



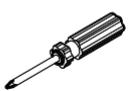


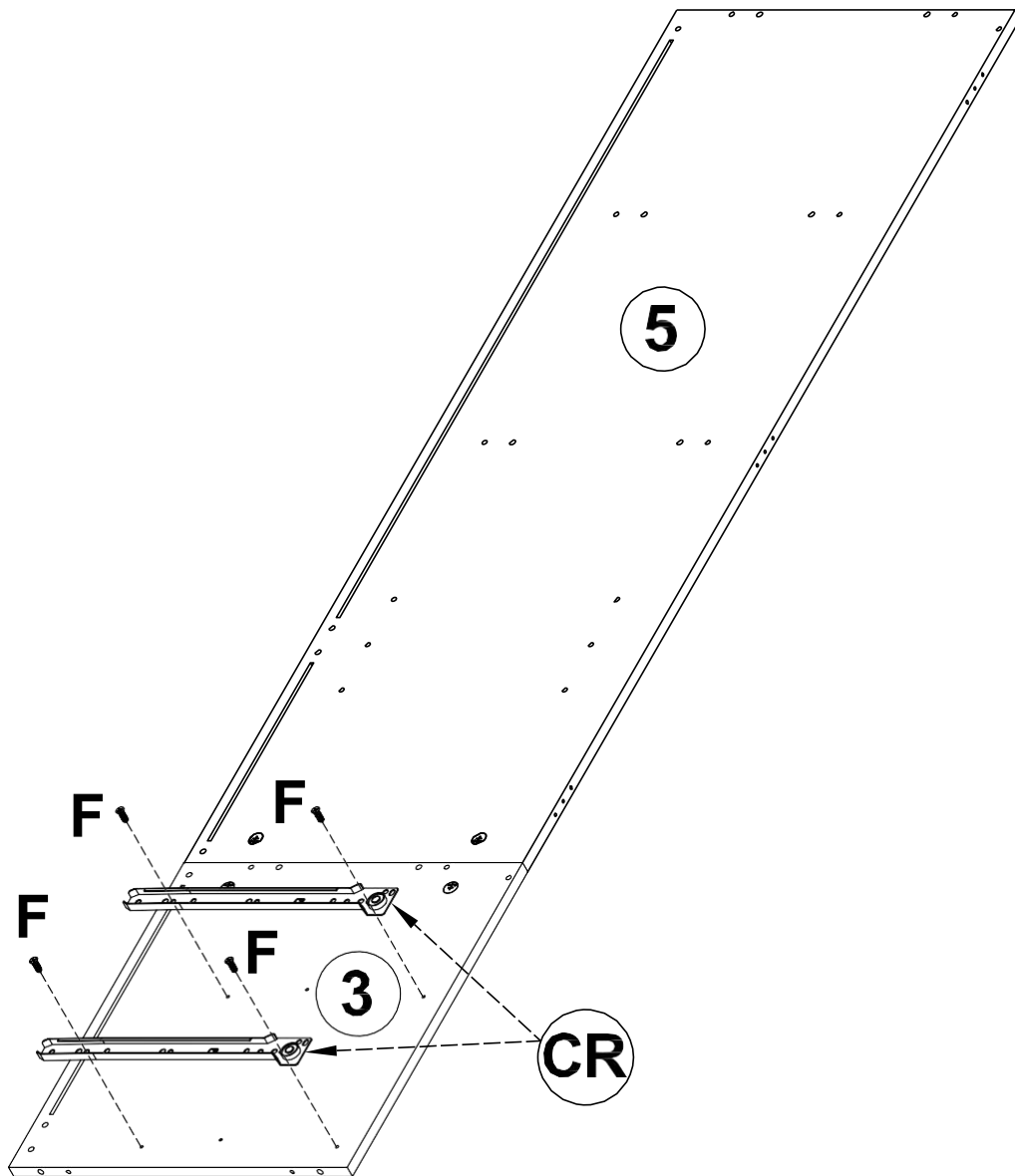
# STEP 9

<b>B</b>  x4	<b>C</b>  x2	<b>Q</b>  x2	<b>R</b> 
---	---	---	---

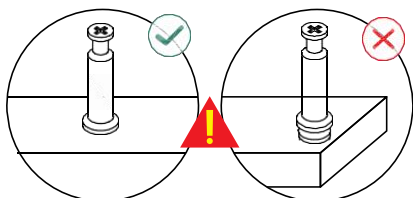
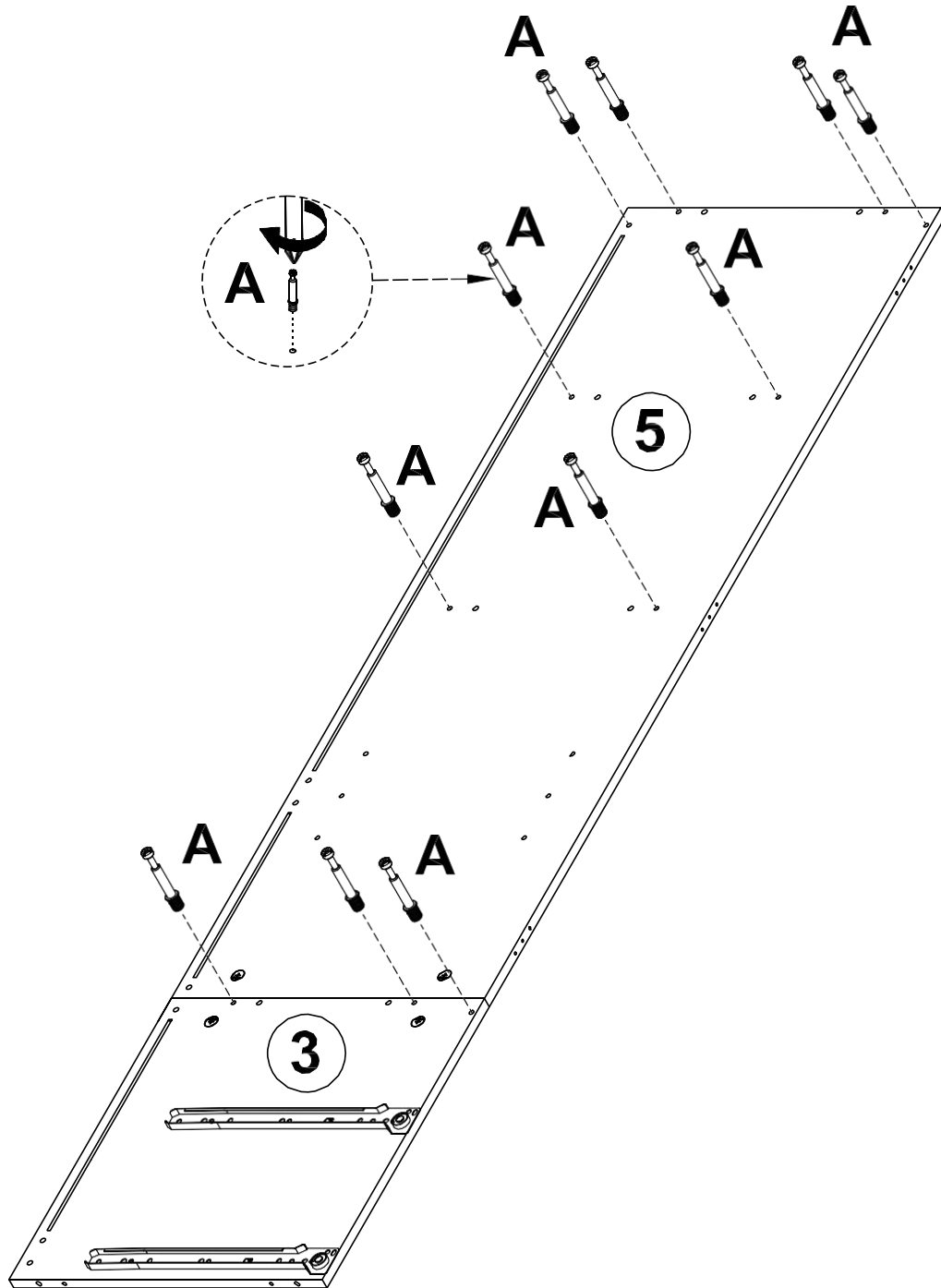
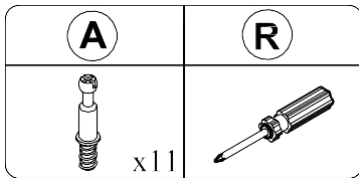


# STEP 10

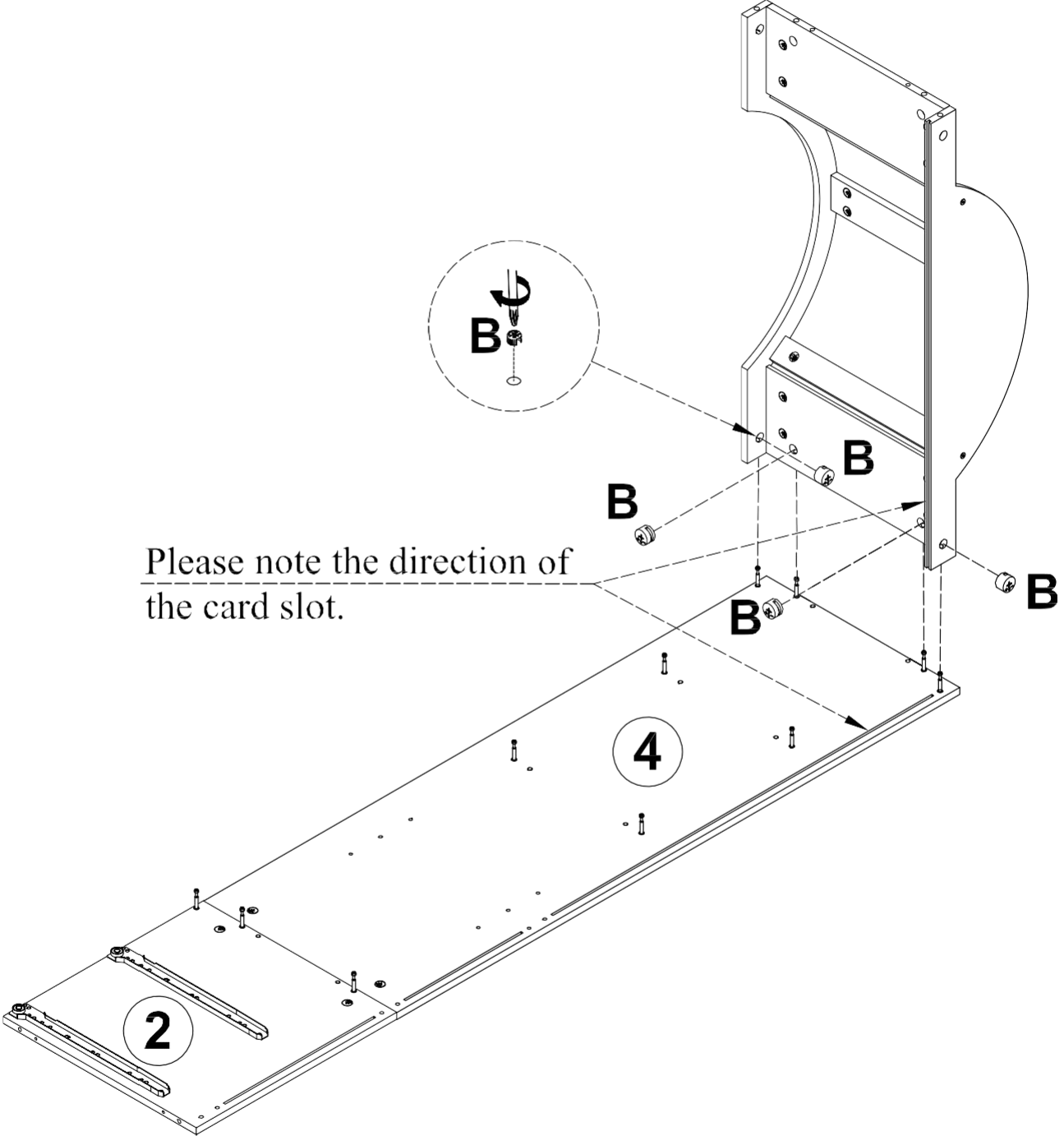
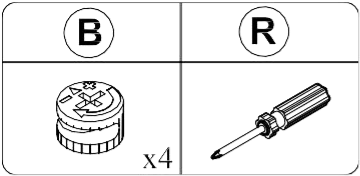
<b>F</b>	<b>H</b>	<b>R</b>
 x4	CR  x2	



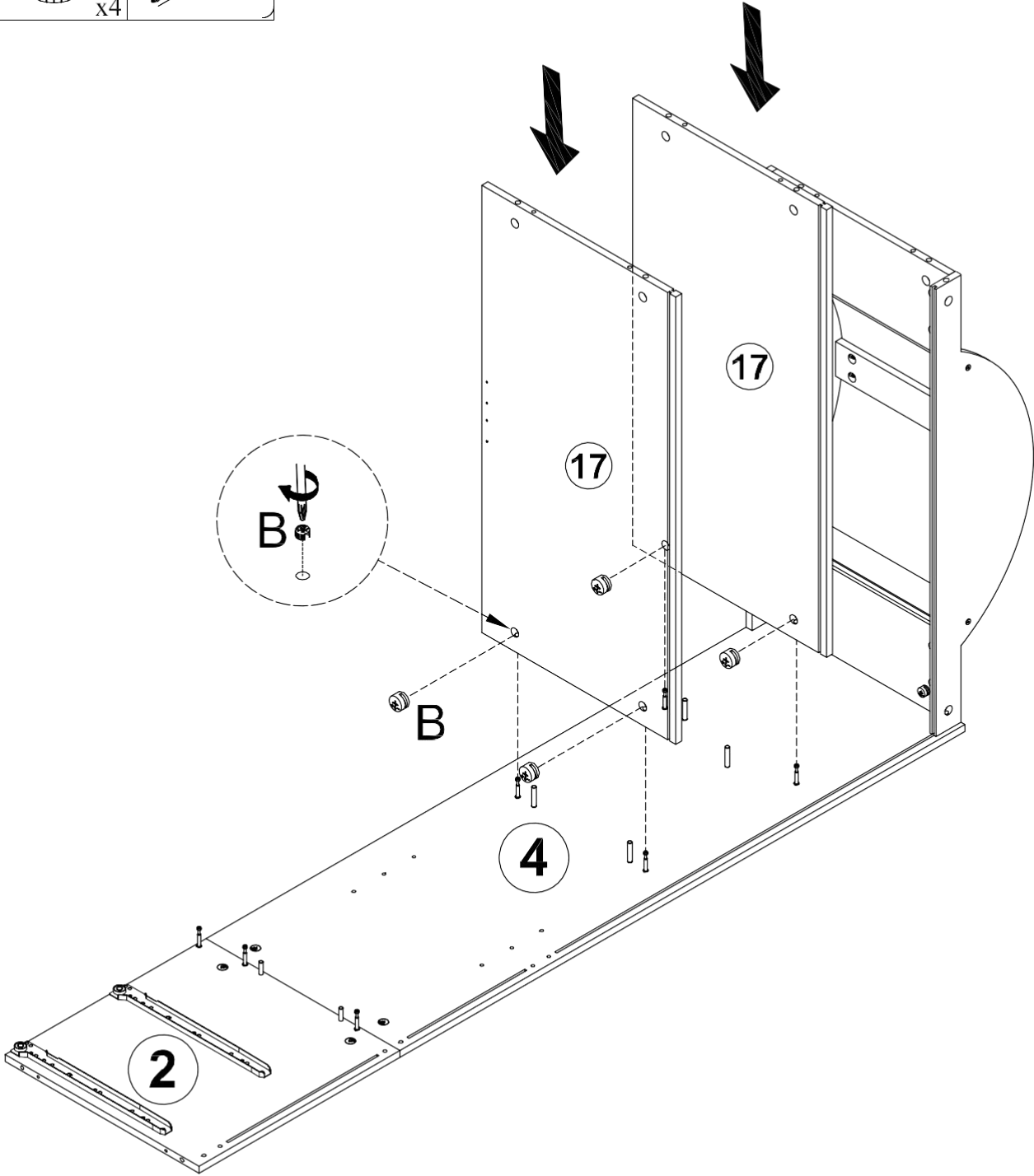
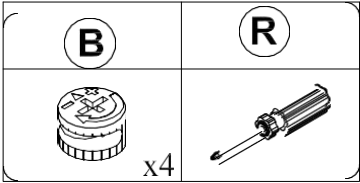
# STEP 11






# STEP 12



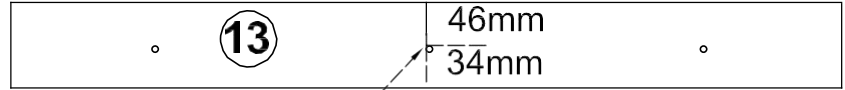
# STEP 13



# STEP 14

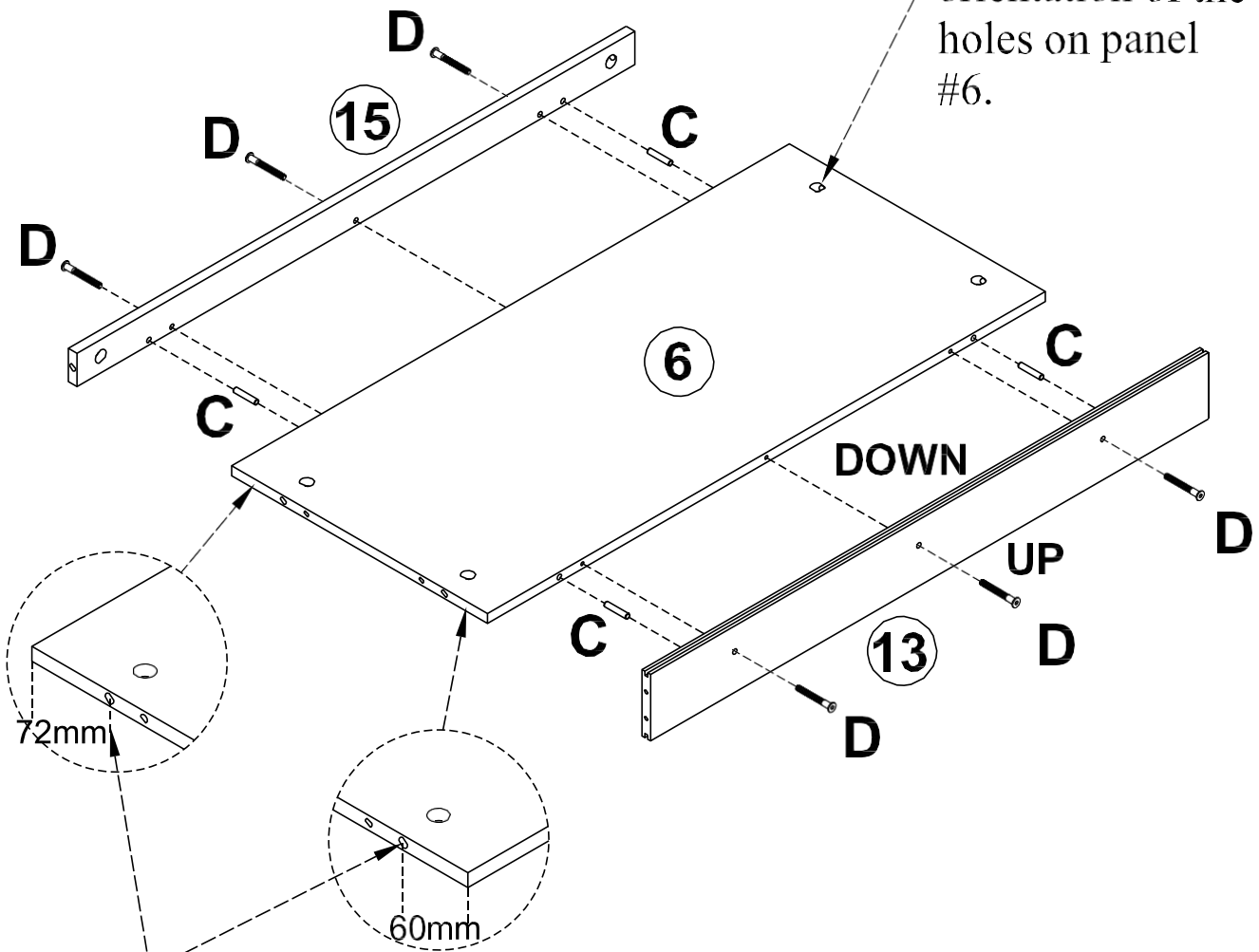
(D)	(C)	(S)
 x6	 x4	M3 

UP



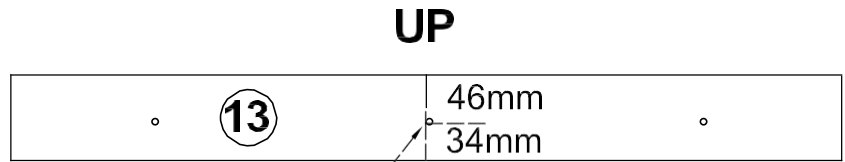
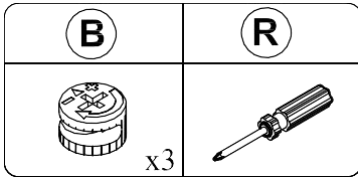
Please note the spacing dimensions above and below the hole position on panel # 13. DOWN

Please note the orientation of the holes on panel #6.

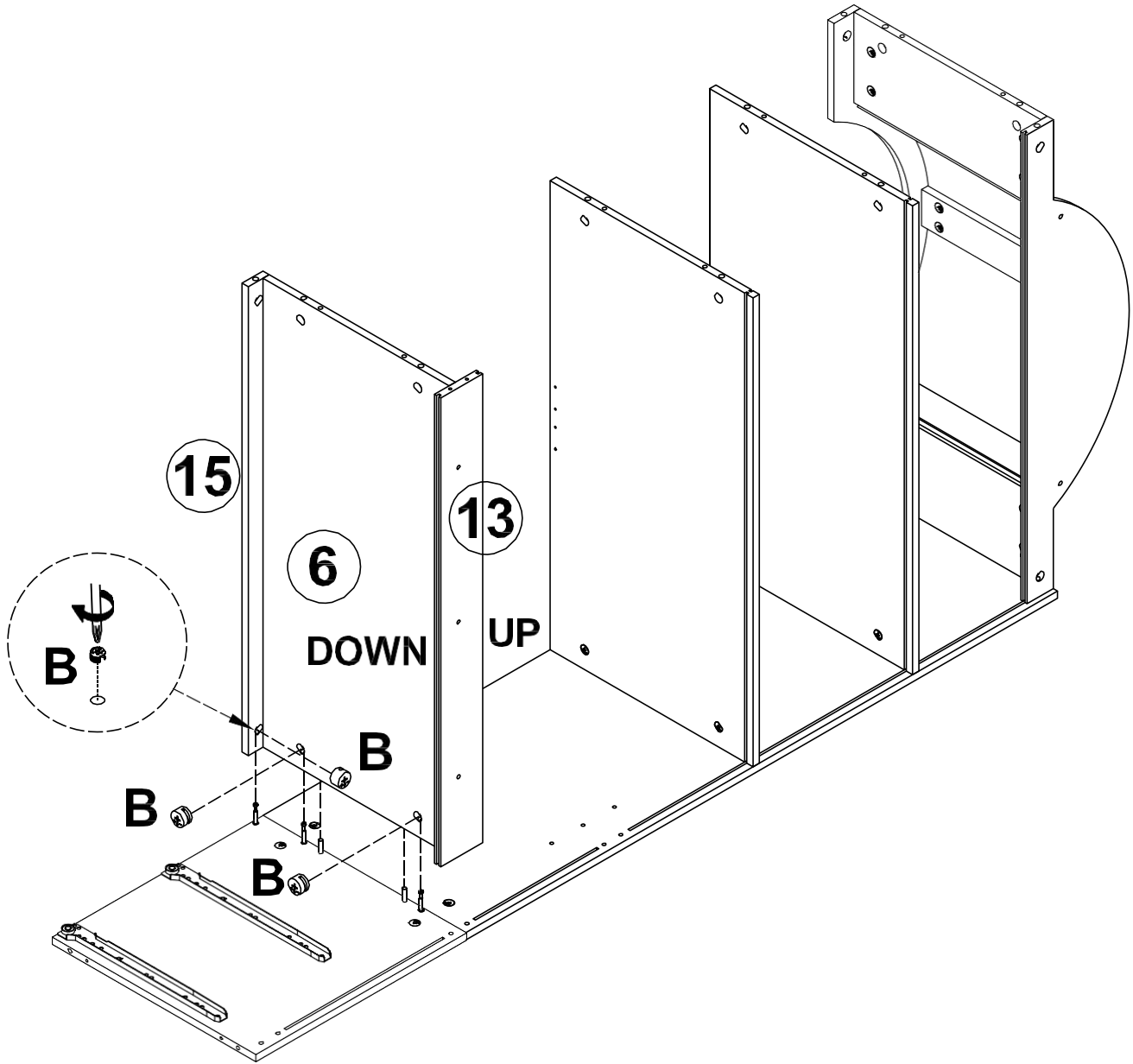


Please note the hole-to-edge distance.

# STEP 15





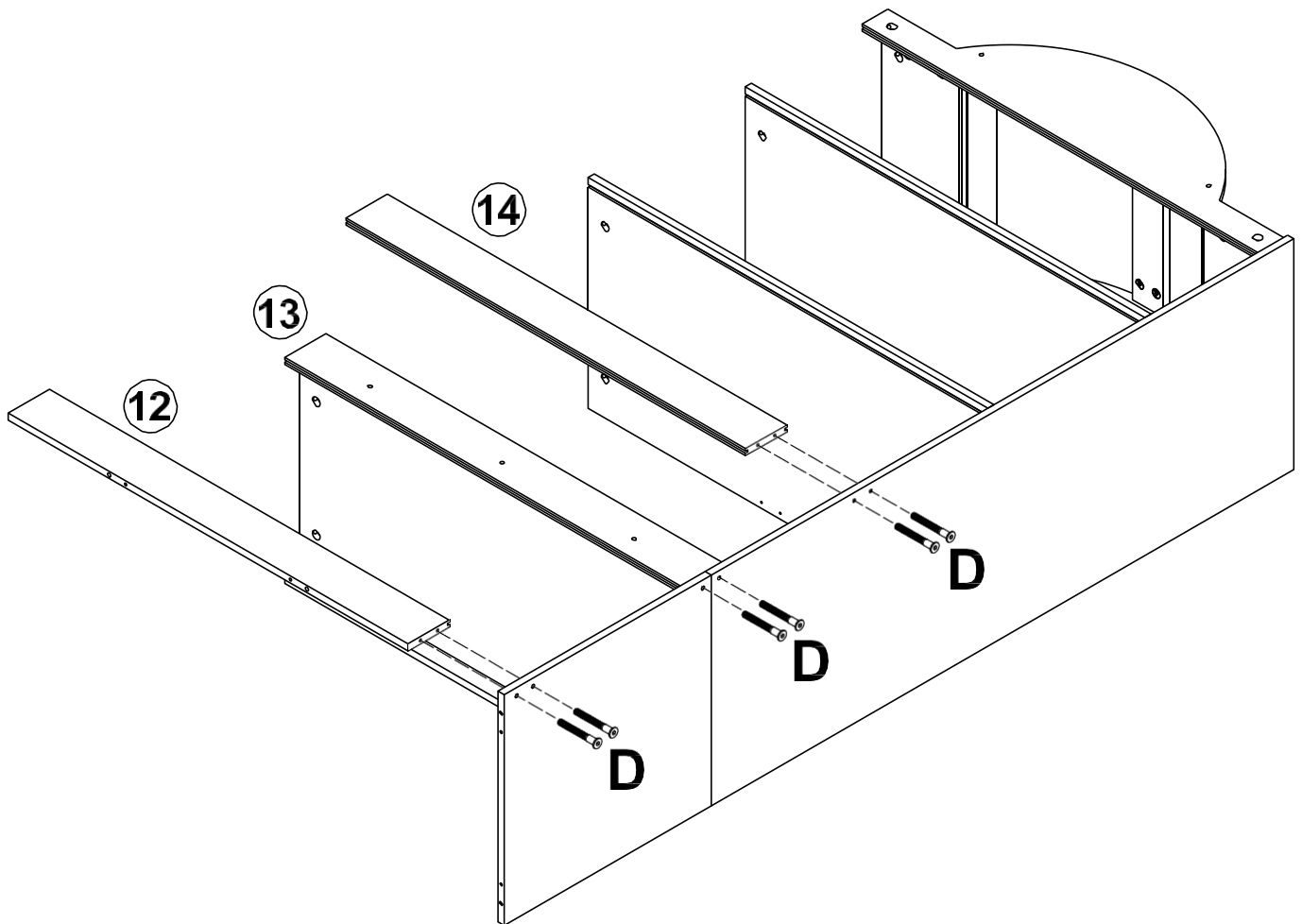
Please note the spacing dimensions above and below the hole position on panel # (13).



Please note the orientation of panels # (13) and # (15) (front/back), as well as the orientation of panel # (13) (top/bottom).

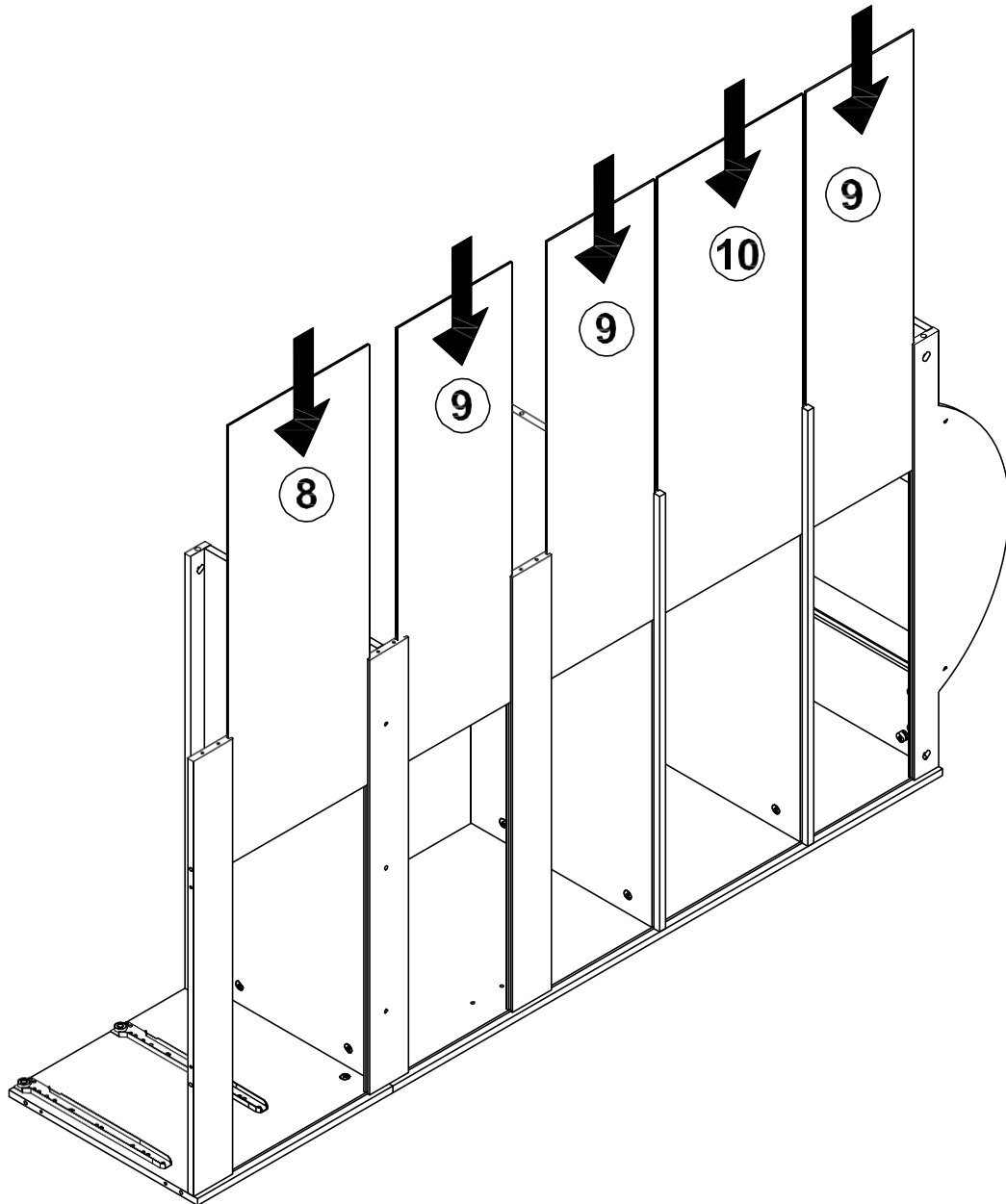
# STEP 16

<b>D</b>	<b>S</b>
 x6	M3 



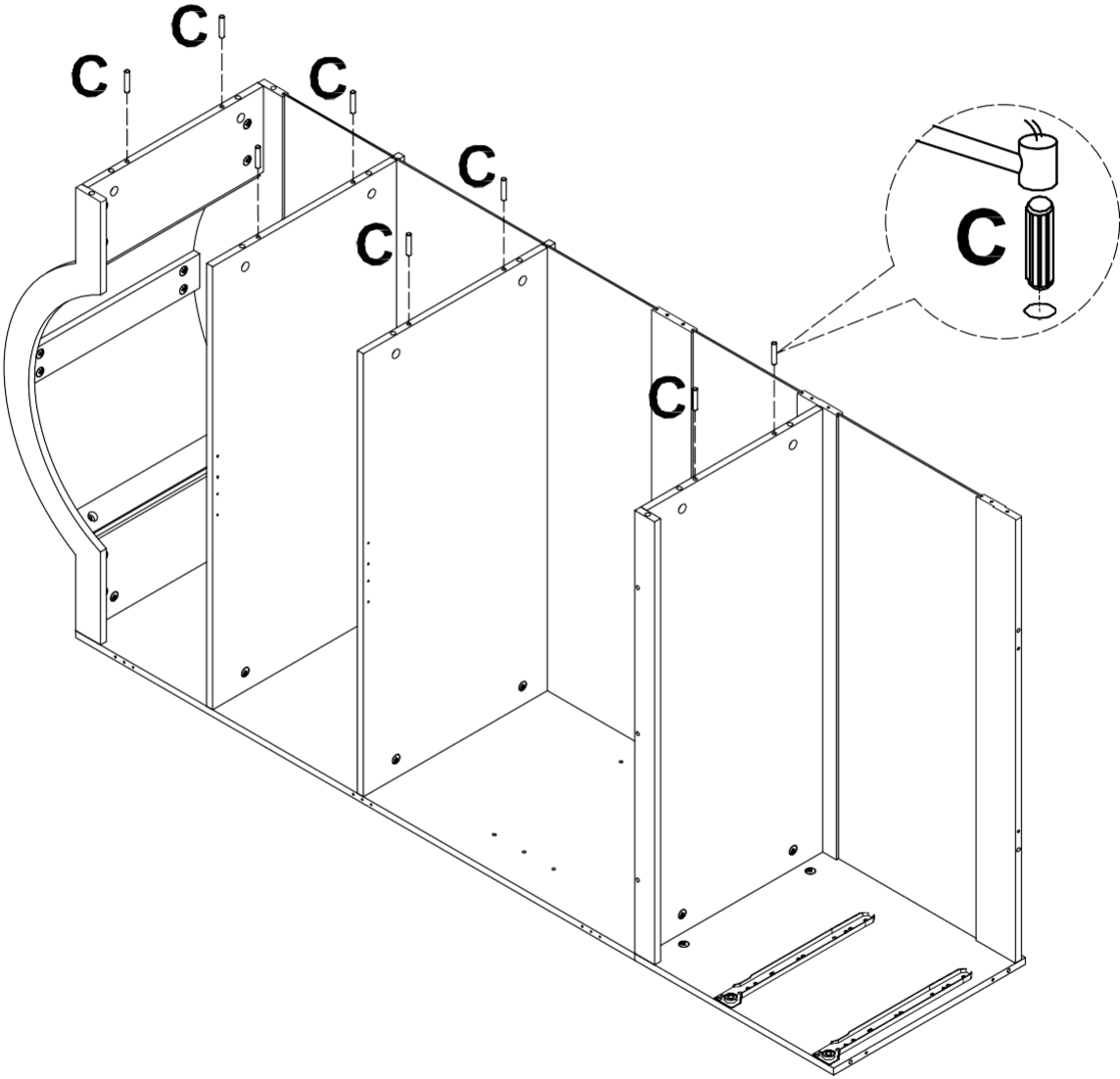
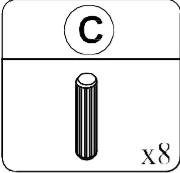
**Note:** Two people are required to cooperate in moving the cabinet to prevent damage to the panels.

# STEP 17

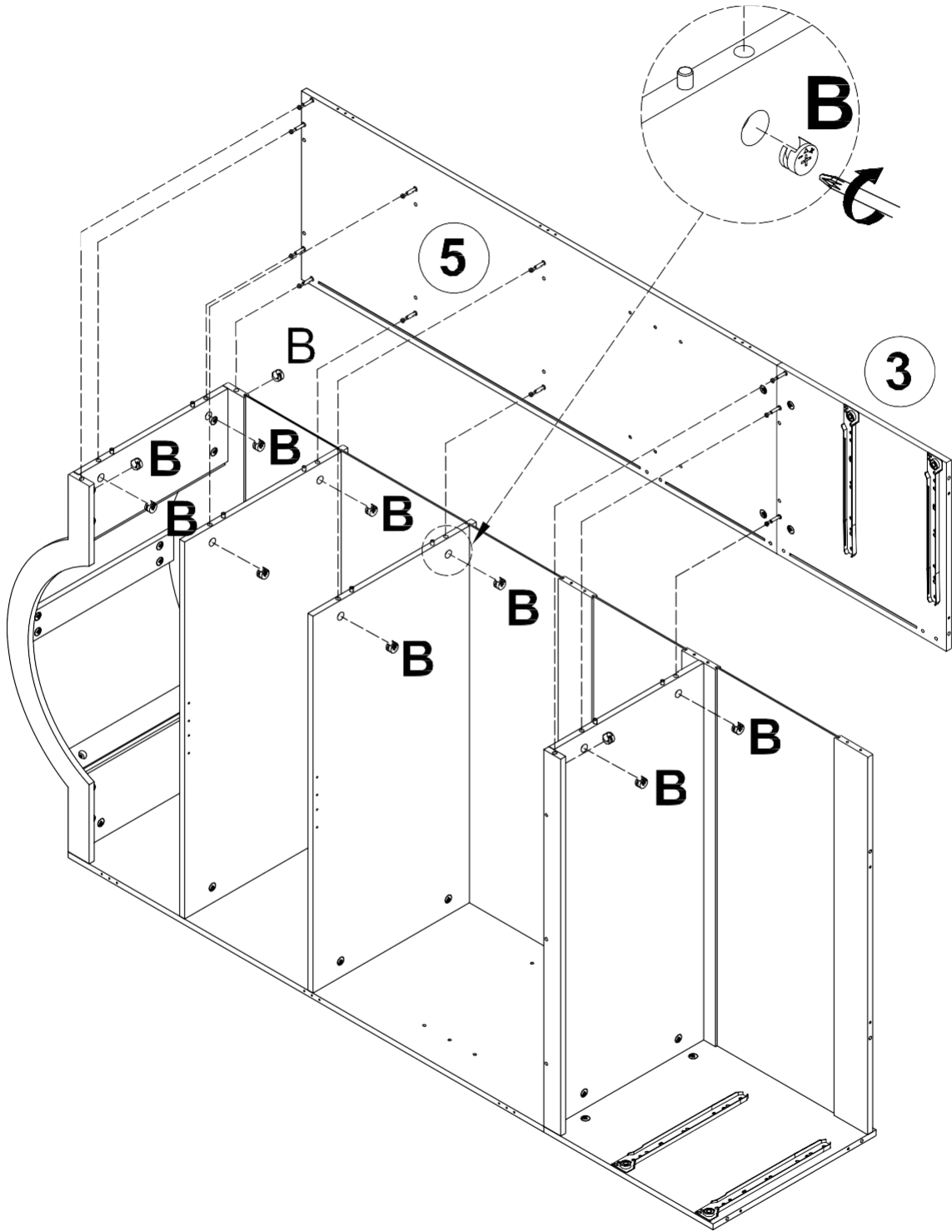
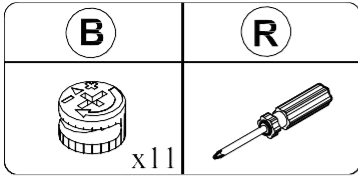


**Note:** Two people are required to cooperate in moving the cabinet to prevent damage to the panels.

# STEP 18

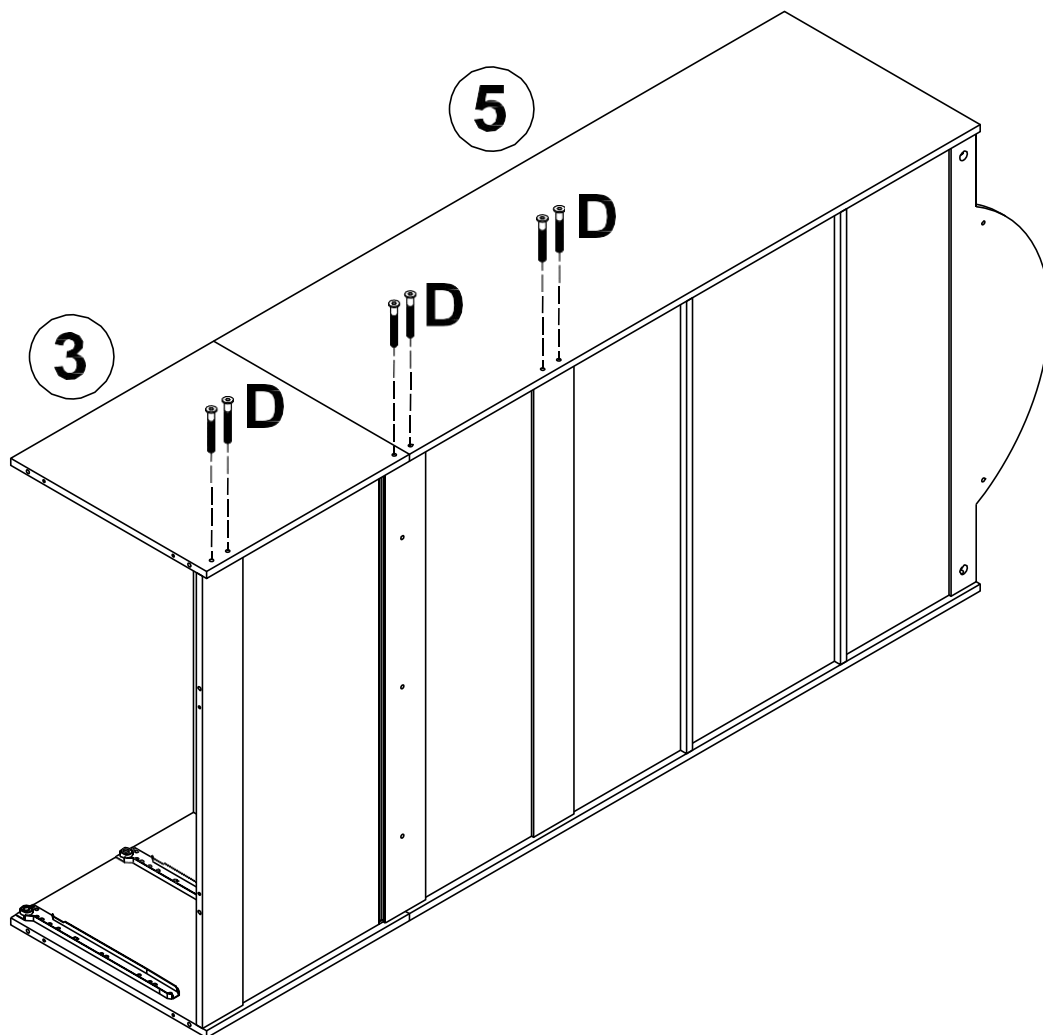
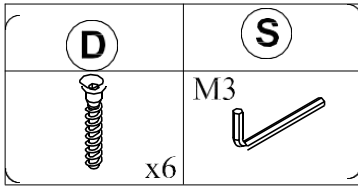


# STEP 19



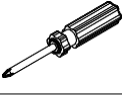


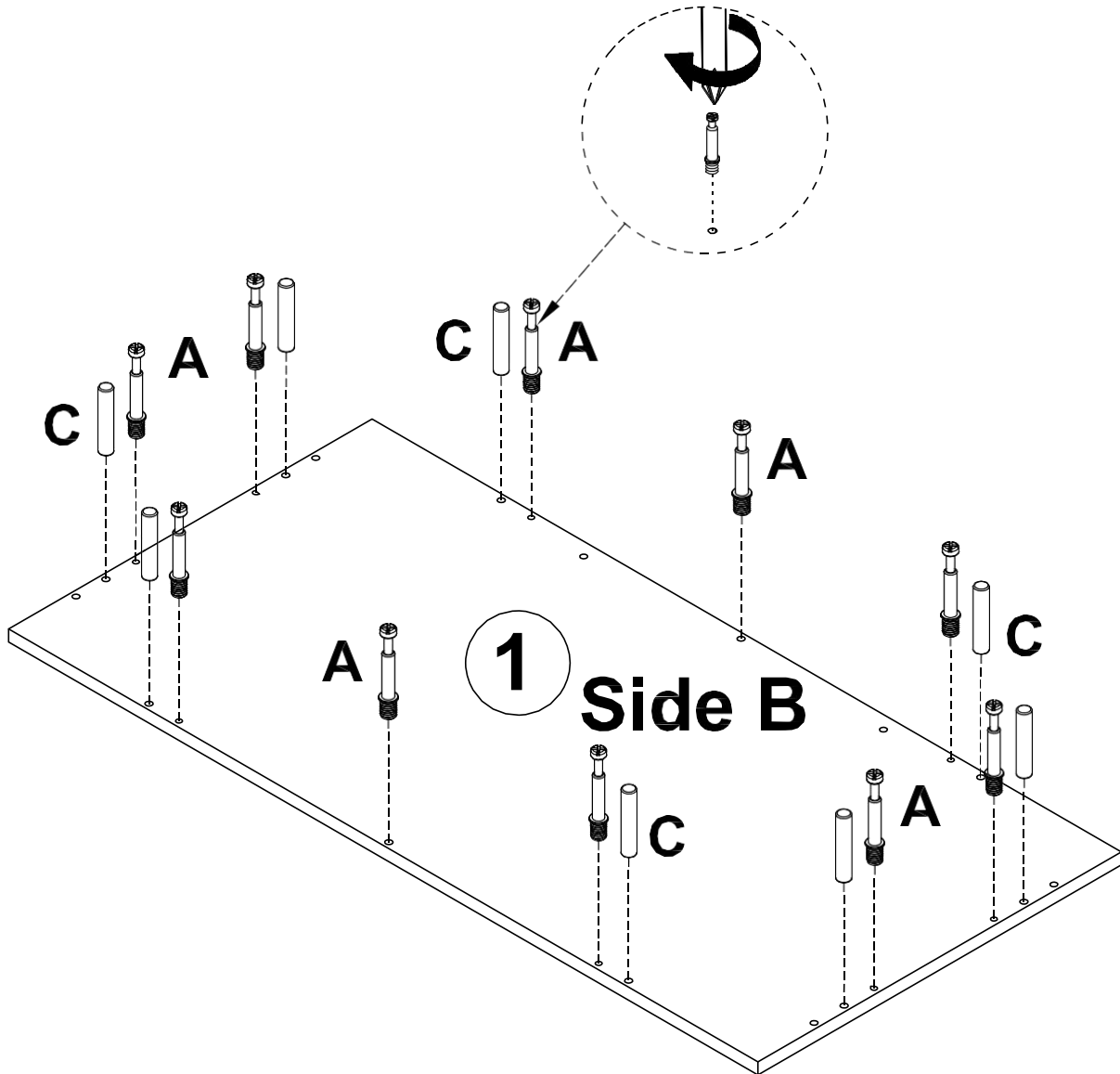
**Note:** Panels # **3** and # **5** require two people to install together to avoid damage to the panels!

# STEP 20

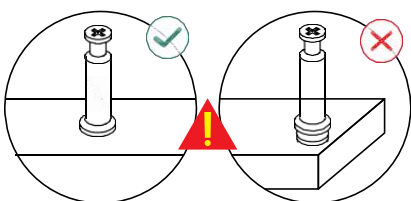


# STEP 21




<b>(A)</b>  x10	<b>(C)</b>  x8	<b>(R)</b> 
--	---	---

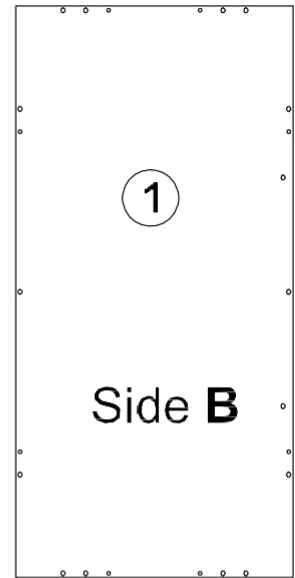
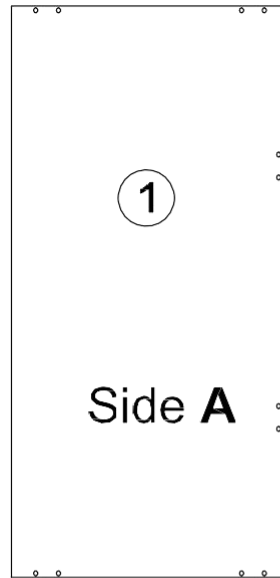


**Note:** Please install the screw on side **(B)** of Panel # **(1)**.

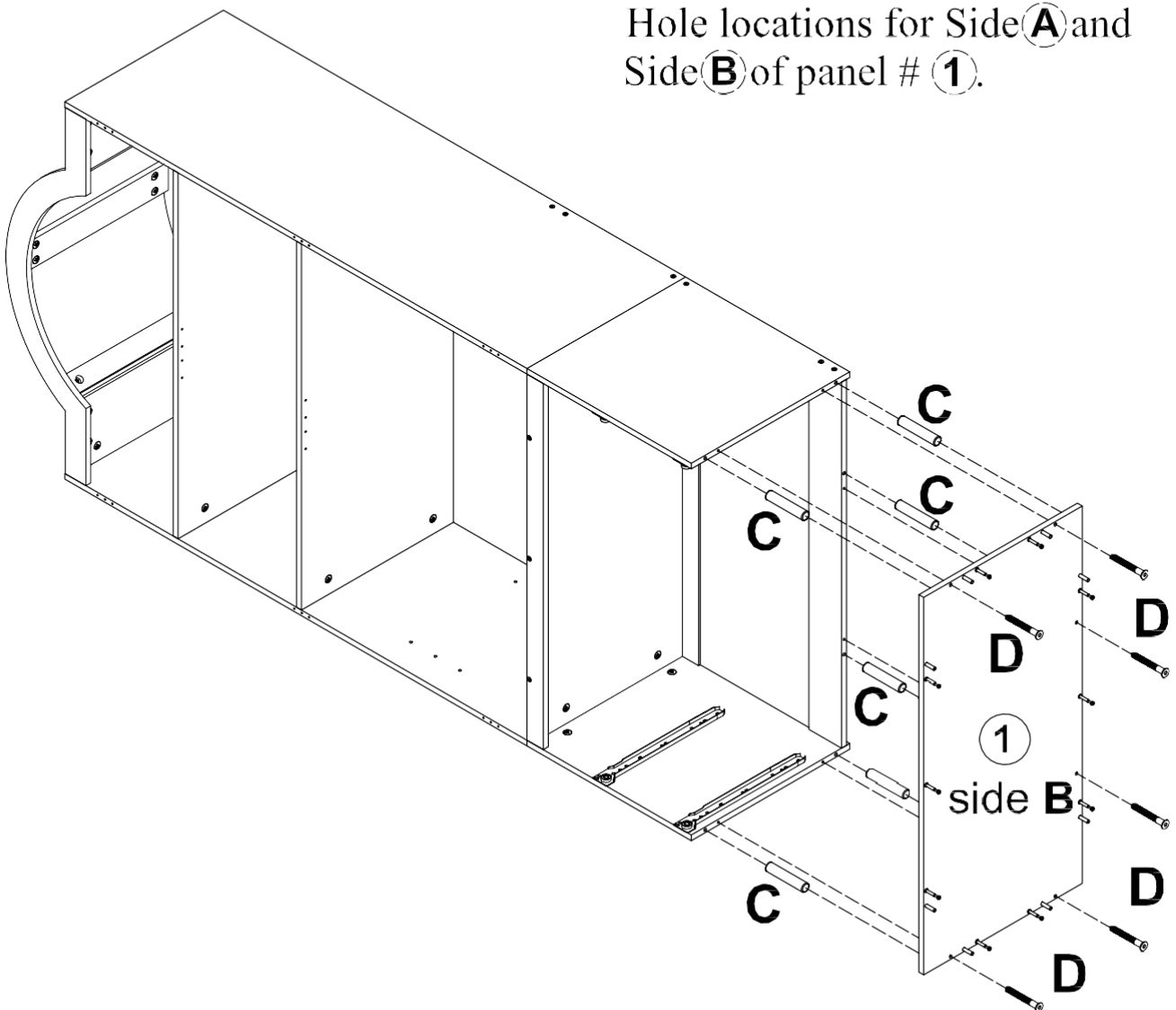


# STEP 22

 <p><b>(C)</b></p>	 <p><b>(D)</b></p>	 <p><b>(S)</b></p>
<p>x6</p>	<p>x6</p>	






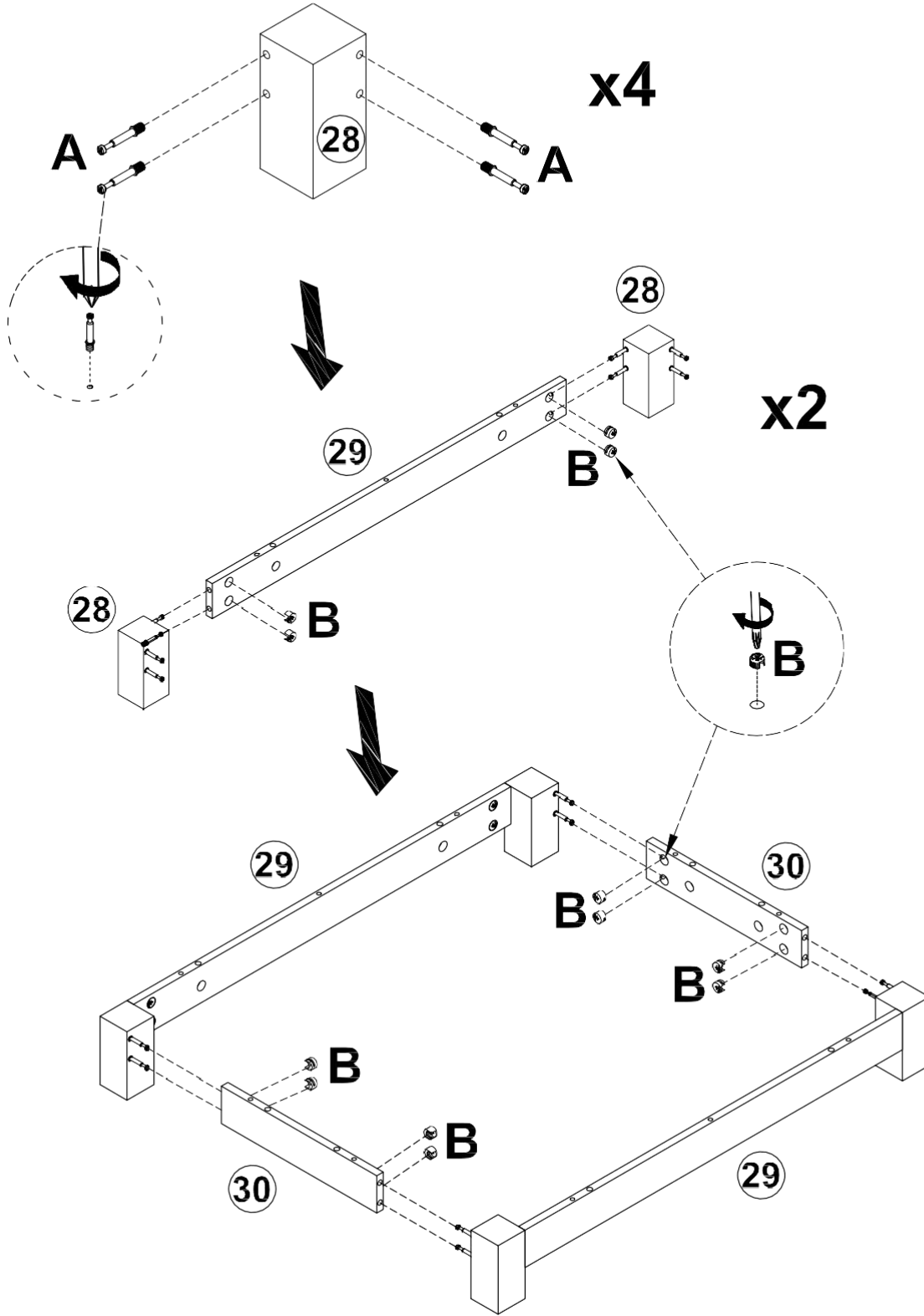
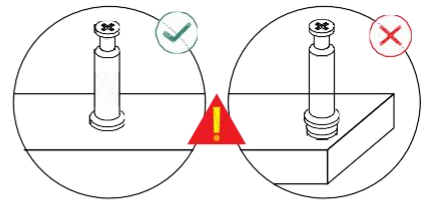
Hole locations for Side **(A)** and Side **(B)** of panel # **(1)**.



**Note:** After inserting the wooden dowel into side **(A)** of panel # **(1)**, connect and install it with the cabinet.

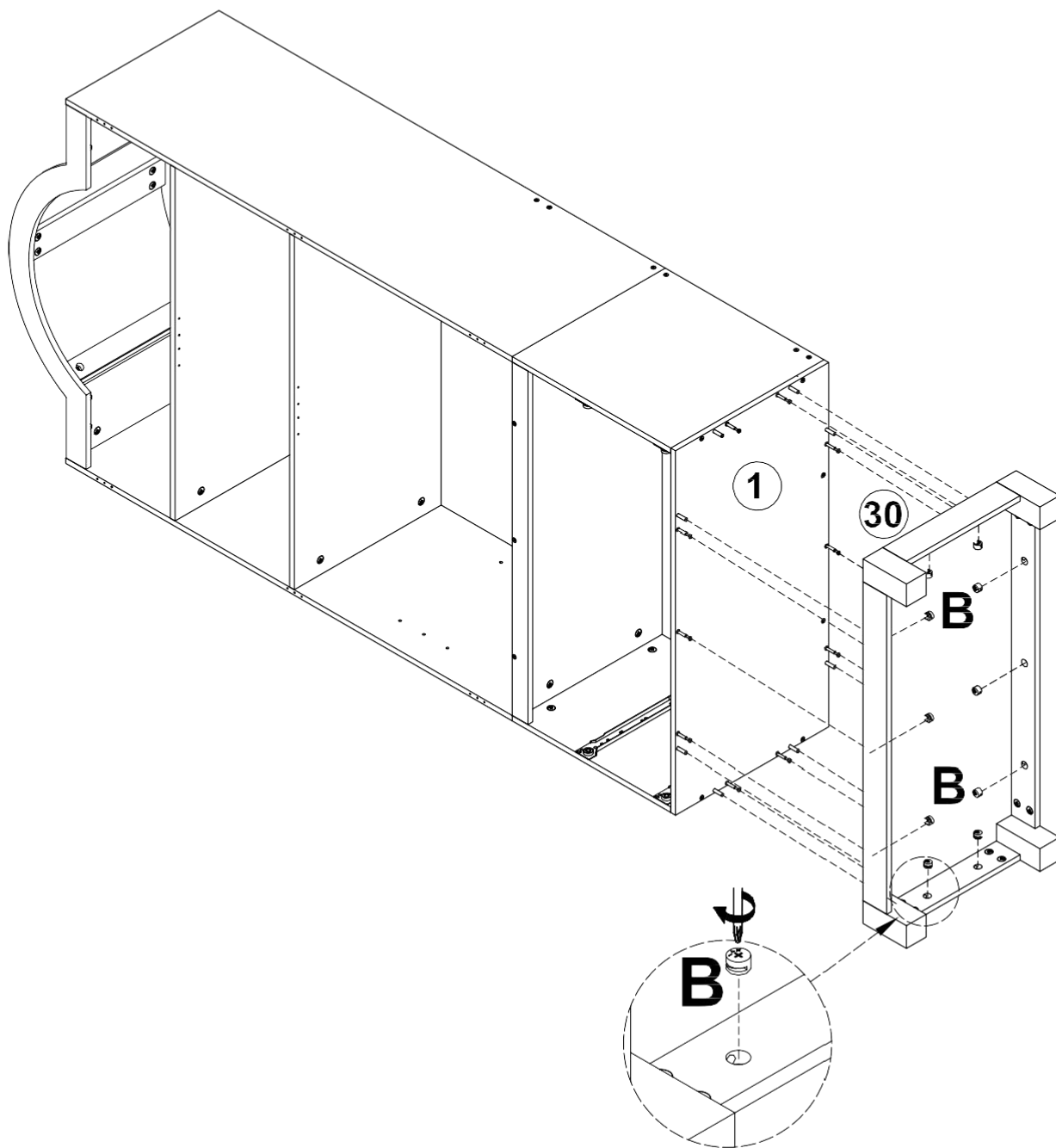
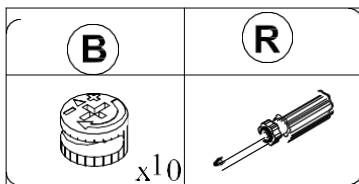
# STEP 23

<b>A</b>  x16	<b>B</b>  x16	<b>R</b> 
--	--	---






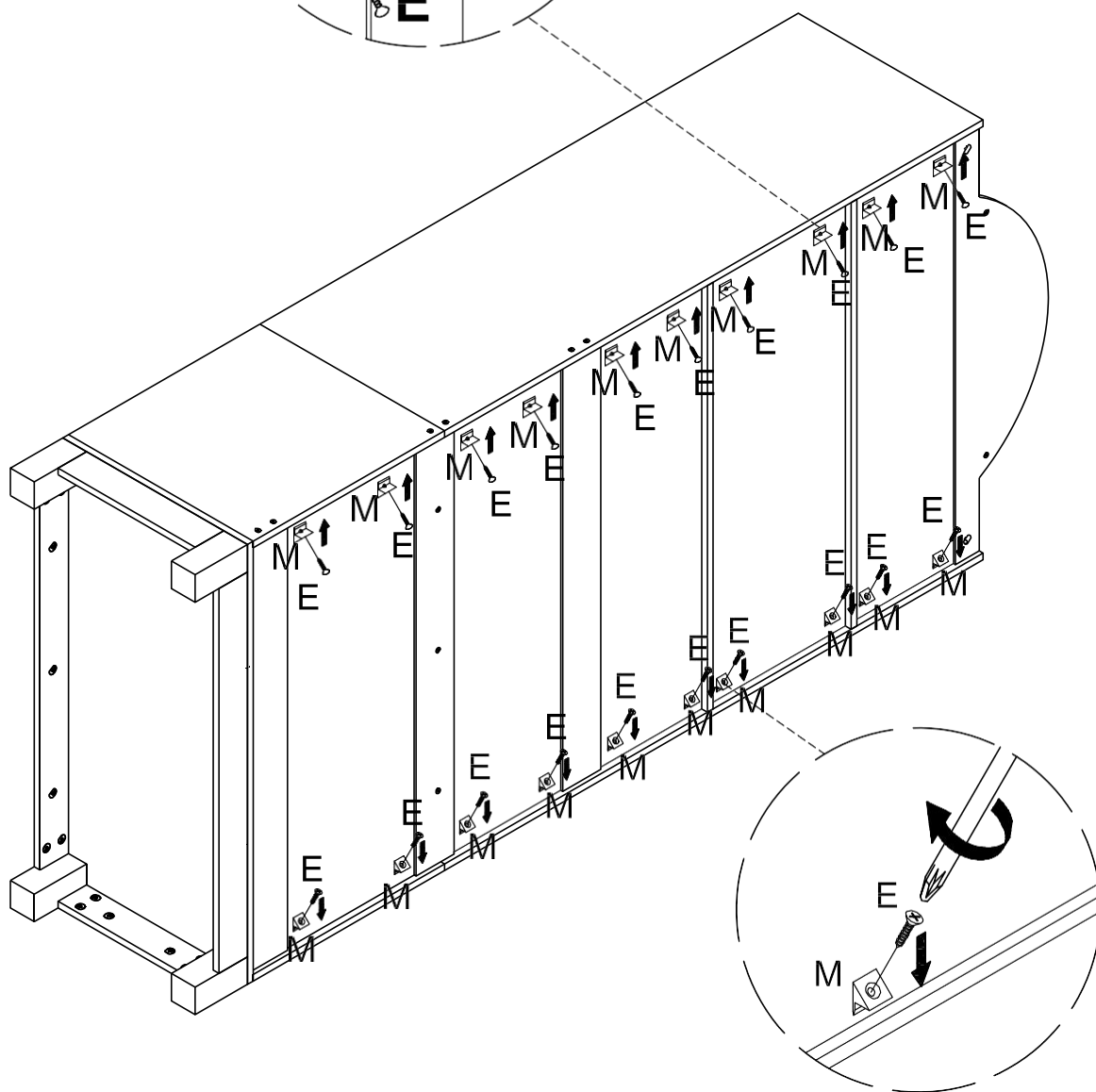
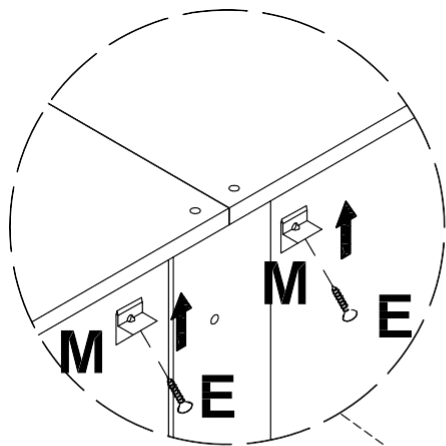
**Note:** The side holes of panels # 29 and # 30 must face upward.

# STEP 24






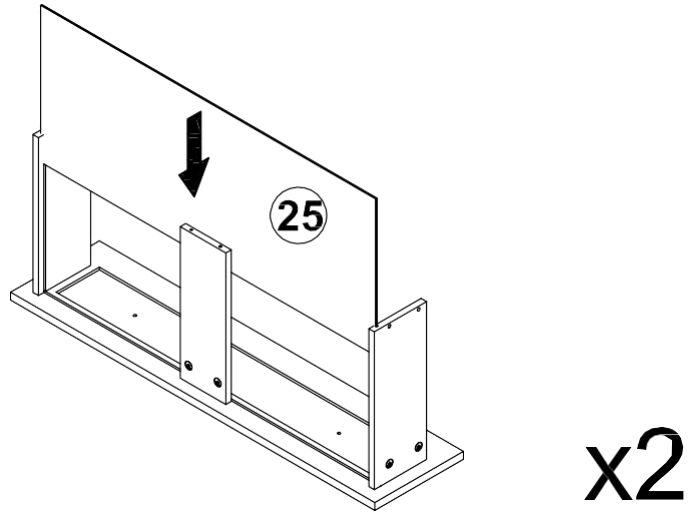
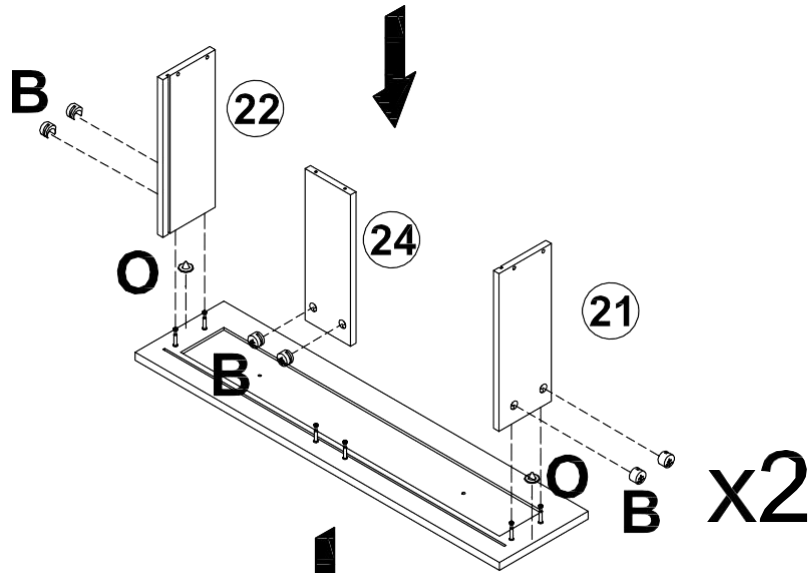
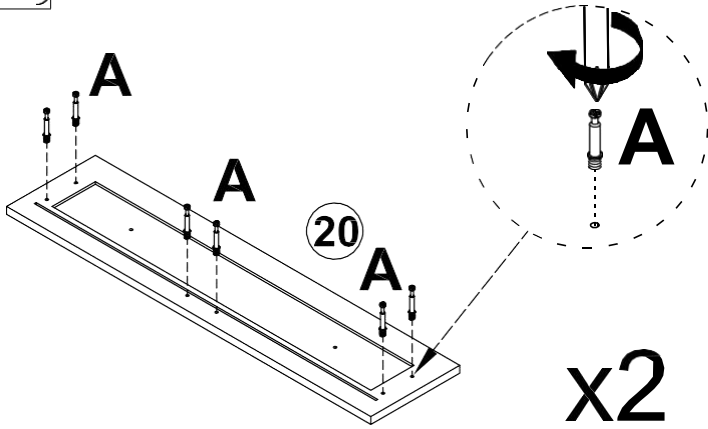
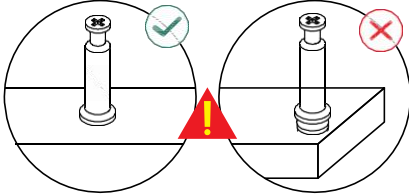
# STEP 25

<b>E</b>	<b>M</b>	<b>R</b>
 x20	 x20	










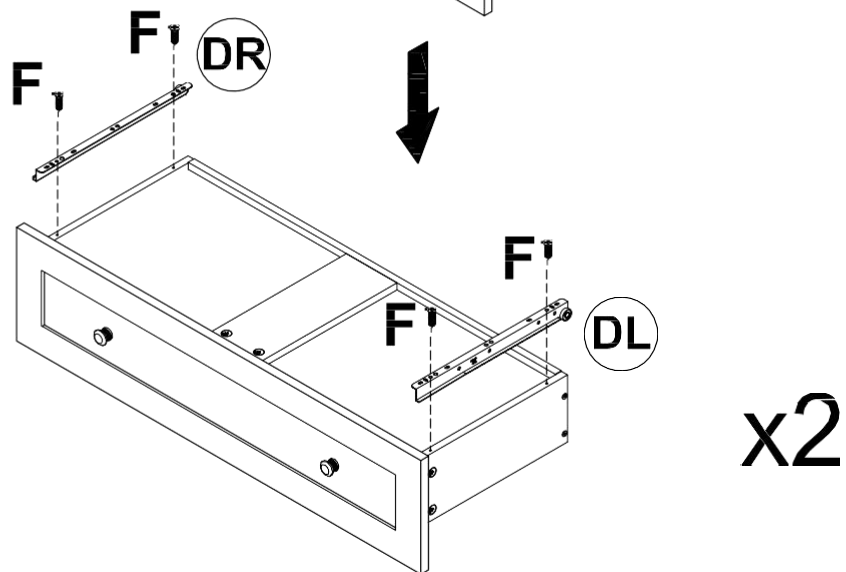
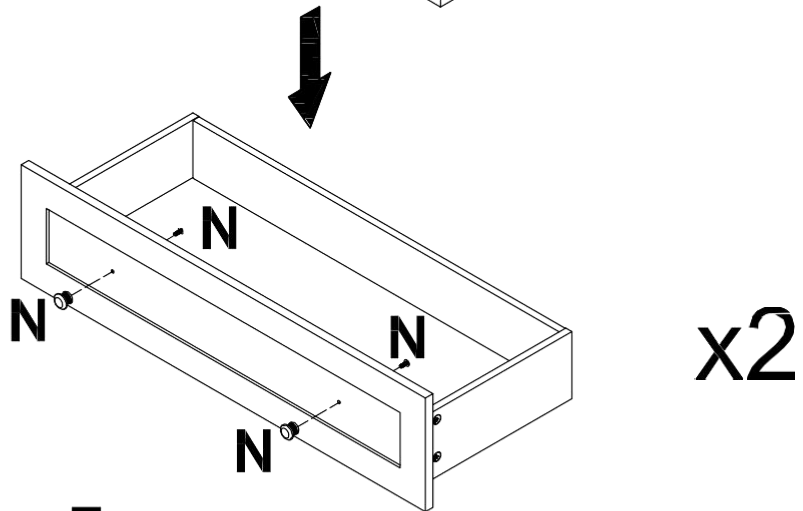
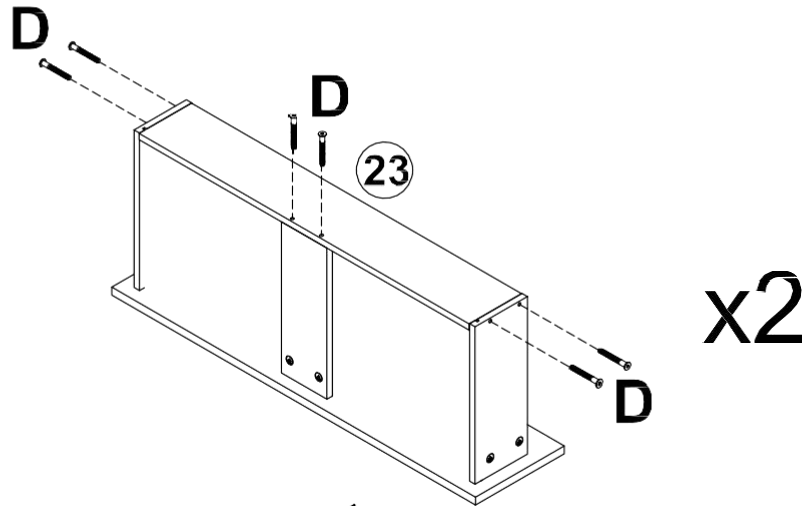
# STEP 26

<b>A</b>  x12	<b>B</b>  x12	<b>R</b> 
--	--	---



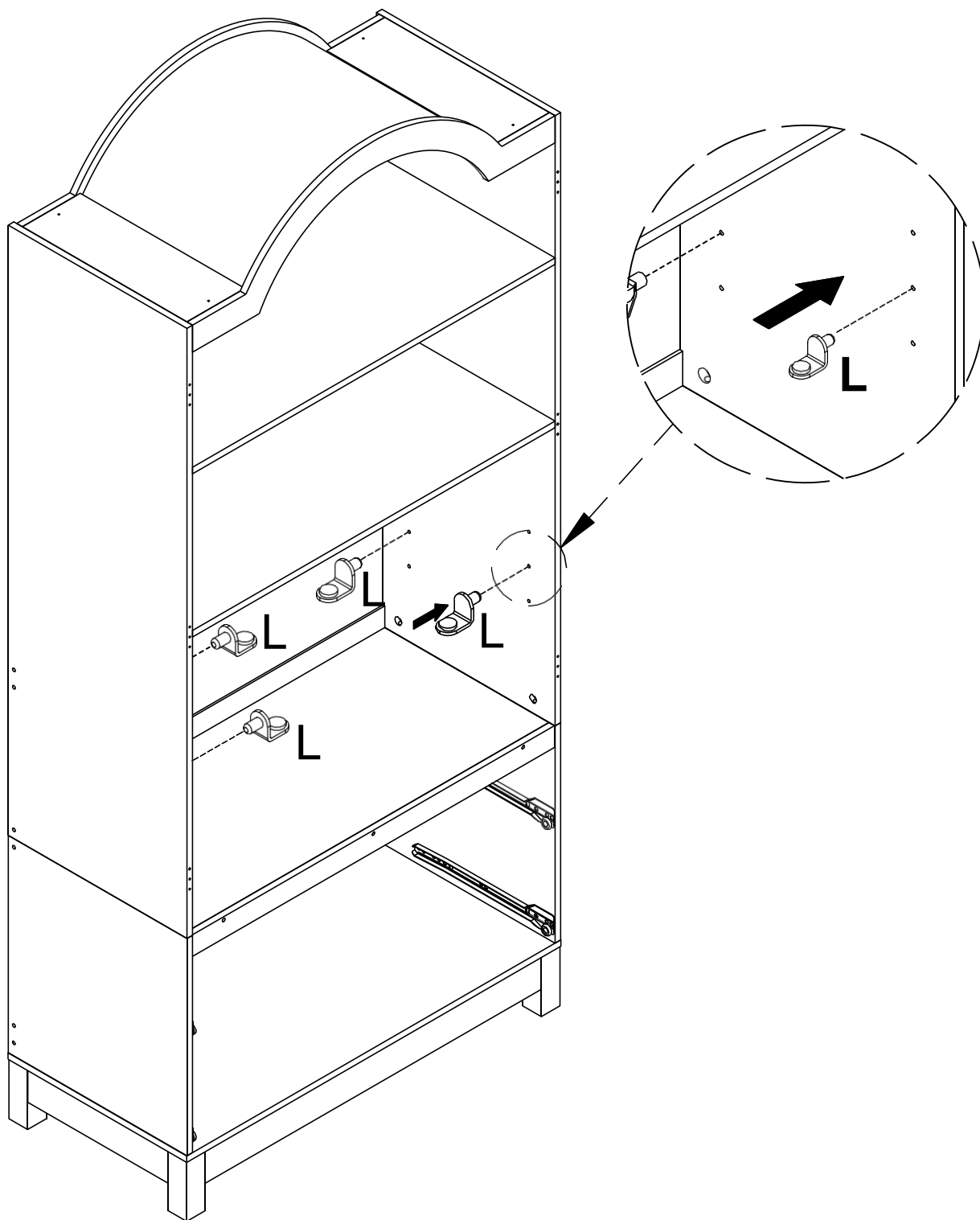
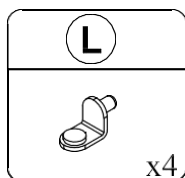
# STEP 27

(D)	(F)	(H)	(H)	(N)	(S)	(R)
 x12	 x8	DL  x2	DR  x2	 x4	M3 	



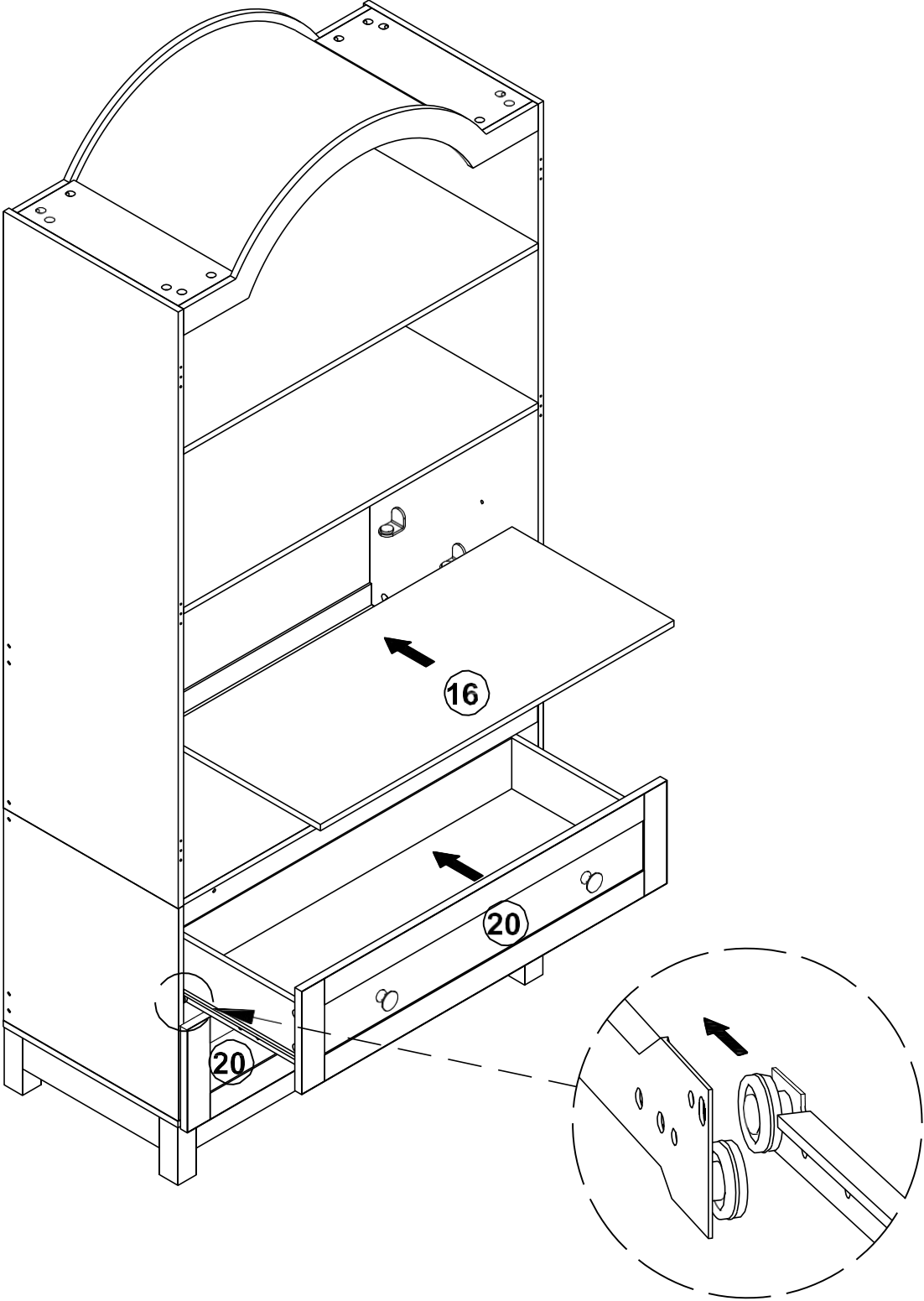
Please note the left and right installation directions of the guide rails (DL) and (DR).

# STEP 28



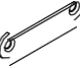




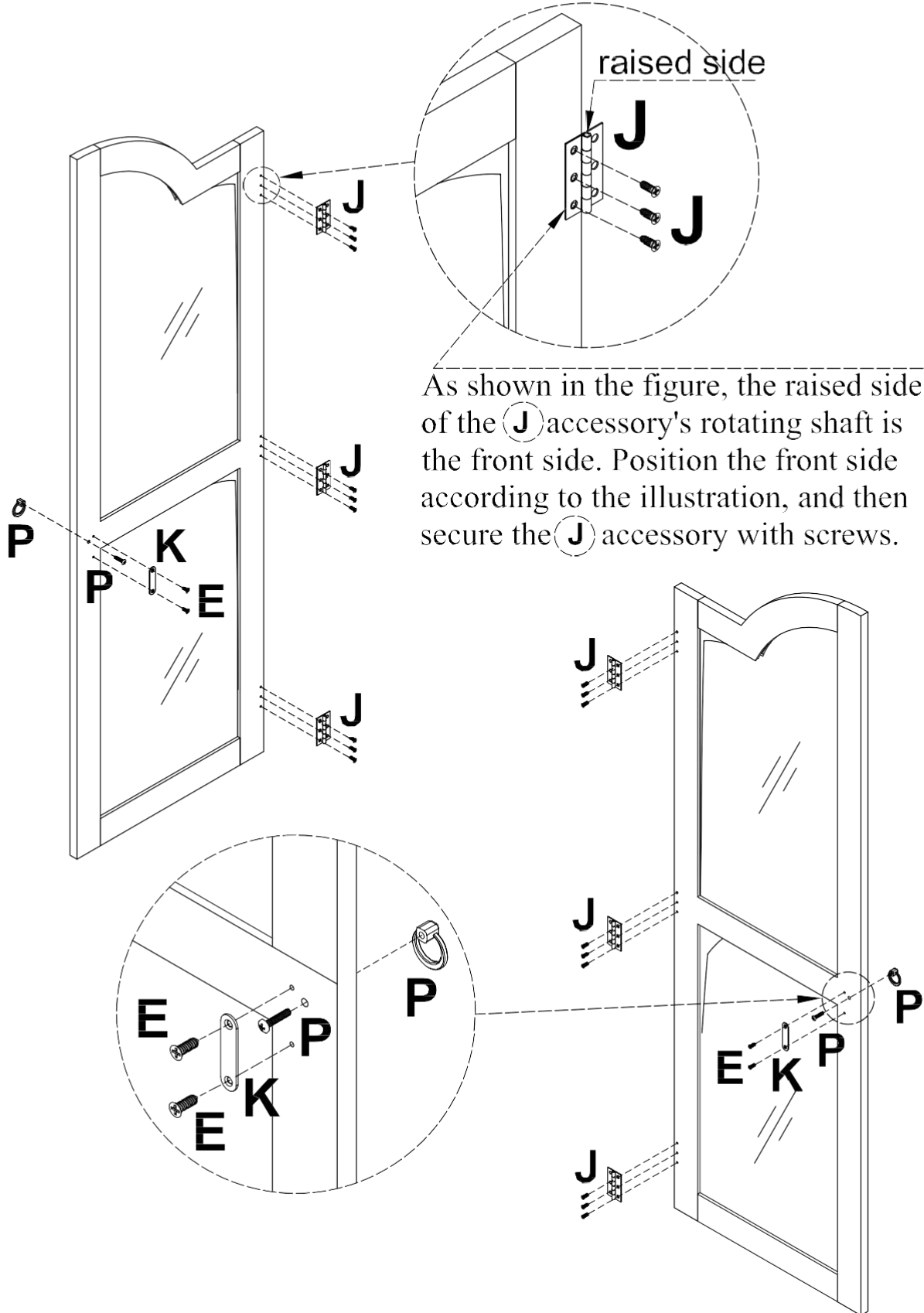
**Note:** After inserting screw (L), ensure its flat side faces upward.

# STEP 29




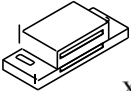


# STEP 30

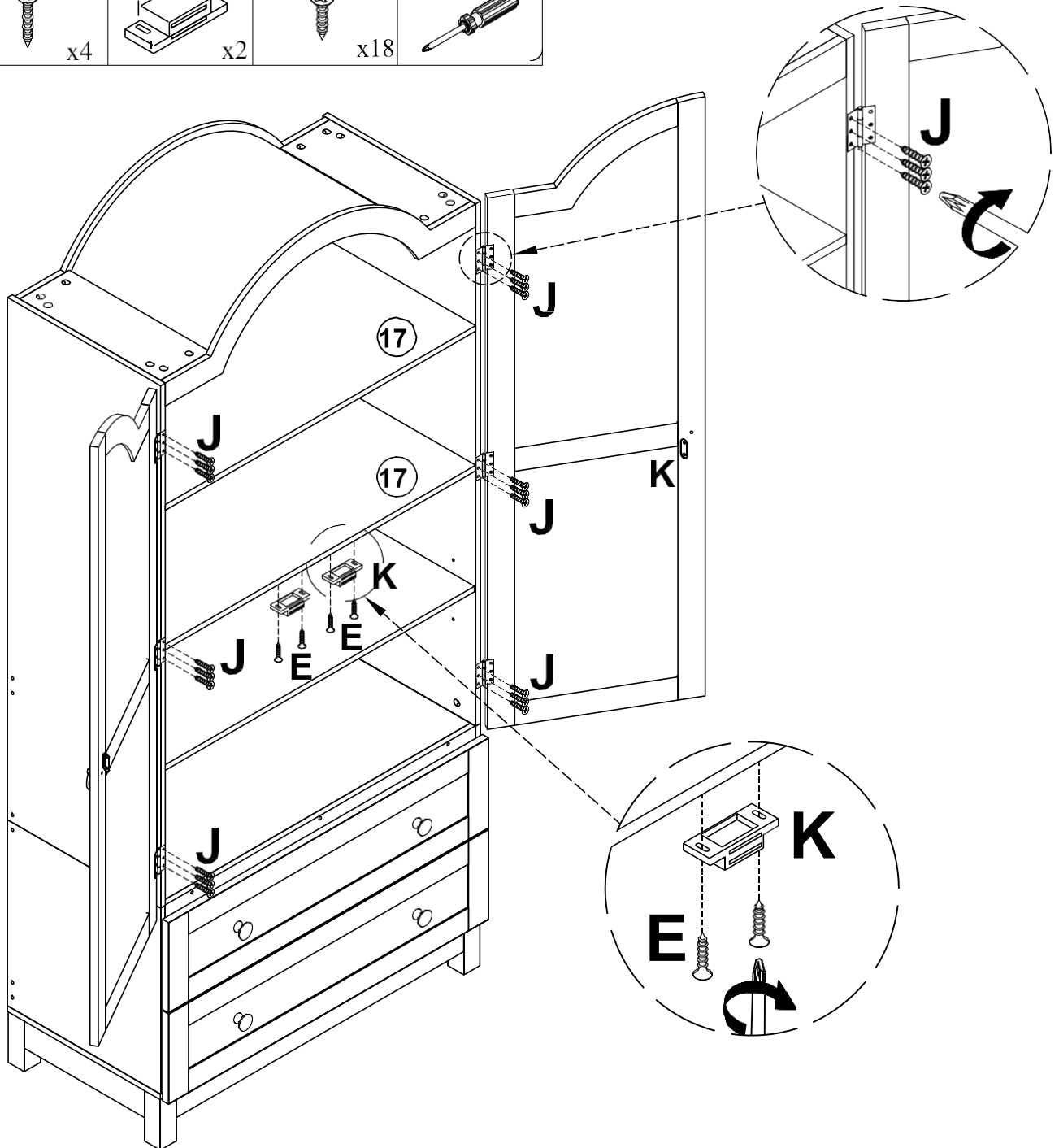
(F)	(J)	(K)	(P)	(R)
 x4	 x6	 x2	 x2	



As shown in the figure, the raised side of the (J) accessory's rotating shaft is the front side. Position the front side according to the illustration, and then secure the (J) accessory with screws.

# STEP 31

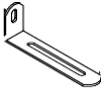
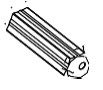



<b>(E)</b>	<b>(K)</b>	<b>(J)</b>	<b>(R)</b>
 x4	 x2	 x18	



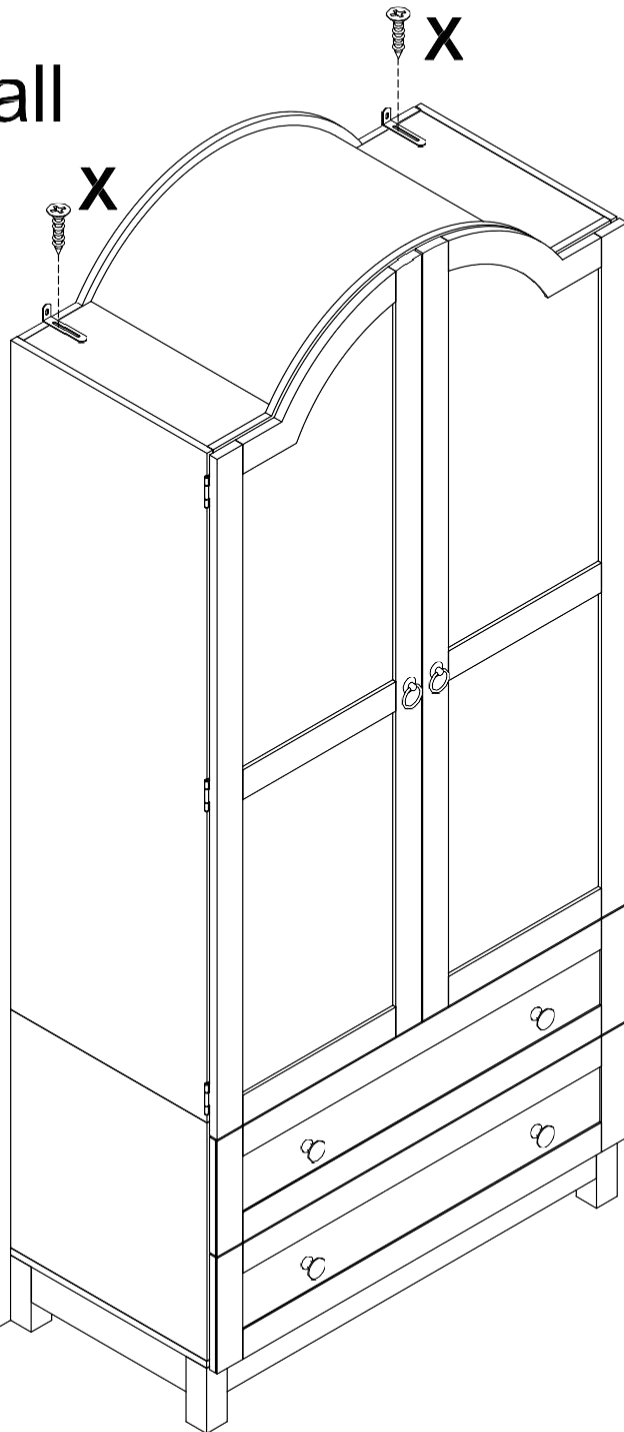
**Note:**

1. Mount the **(K)** bracket to the shelf panel using the **(E)** screws, but do not fully tighten them. Once it is magnetically aligned with the **(K)** strike plate on the door frame, fully tighten all **(E)** screws.
2. Use one screw each to secure the three **(J)**-shaped accessories (for the left and right cabinet doors). After adjusting the gaps between the cabinet doors, tighten the screws into the remaining holes of the **(J)**-shaped accessories.

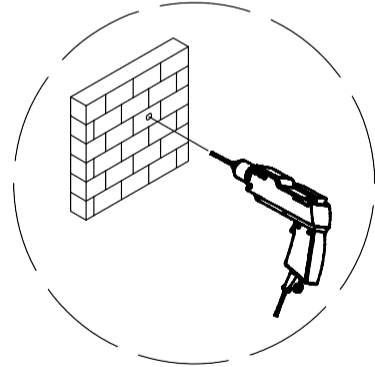
# STEP 32

<b>U</b>  x2	<b>V</b>  x2	<b>W</b>  x2	<b>X</b>  x2	<b>R</b> 
--	--	--	--	---

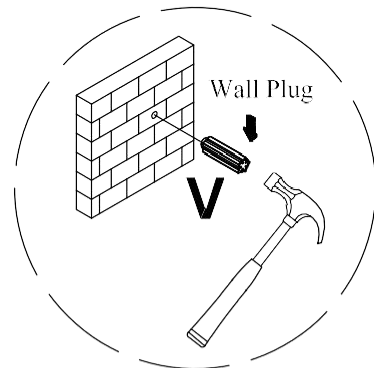
Wall



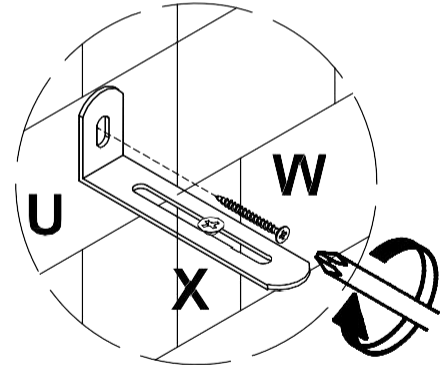
1



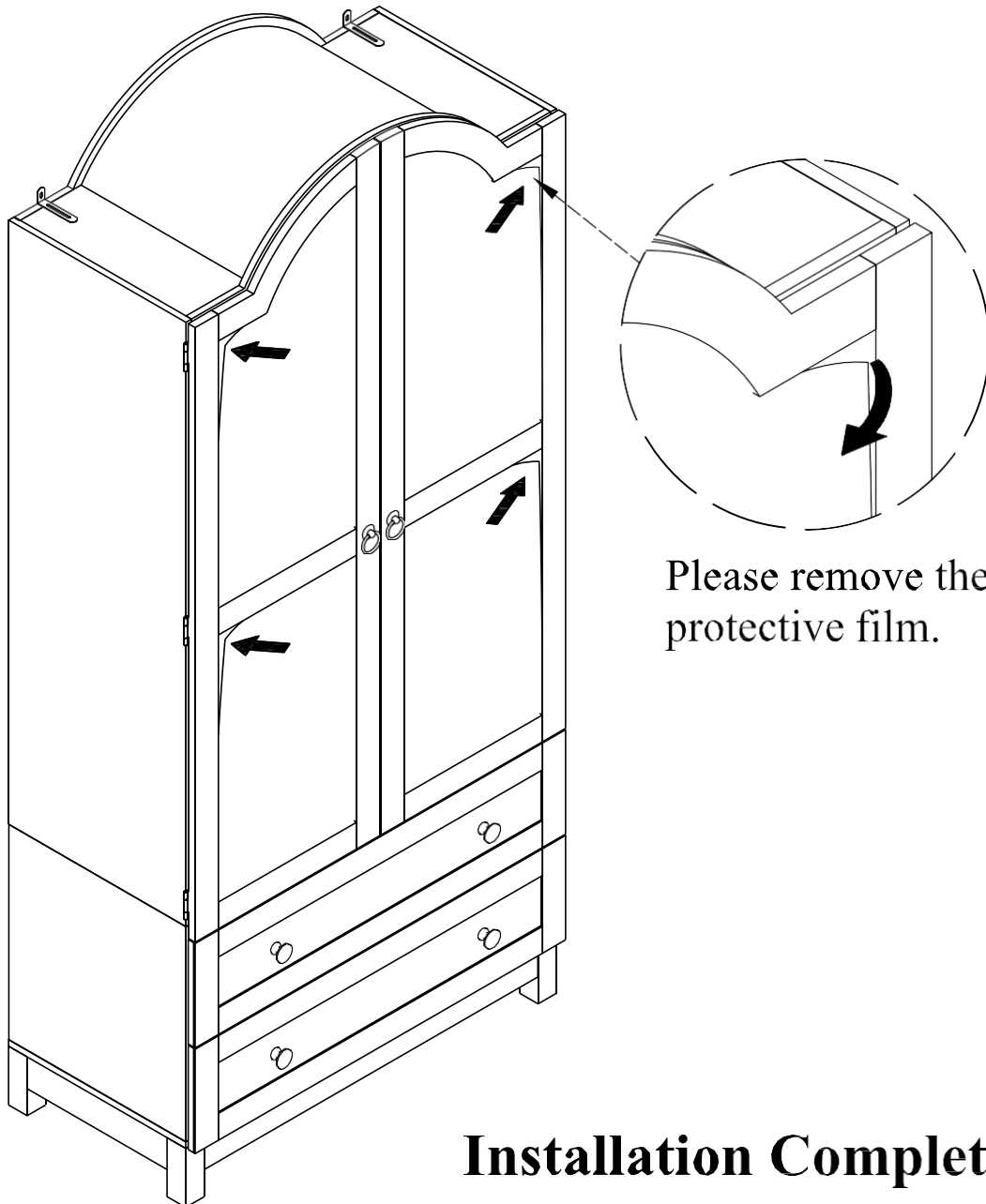
2



3



## STEP 33



Please remove the protective film.

**Installation Completed**

### **Note:**

- 1.The acrylic panels in Plates 30 & 31 come with protective films on both sides, please remove them before use.
- 2.When cleaning, gently wipe stains with alcohol/water and a soft cloth.
- 3..Avoid prolonged exposure to direct sunlight to prevent yellowing or cracking.