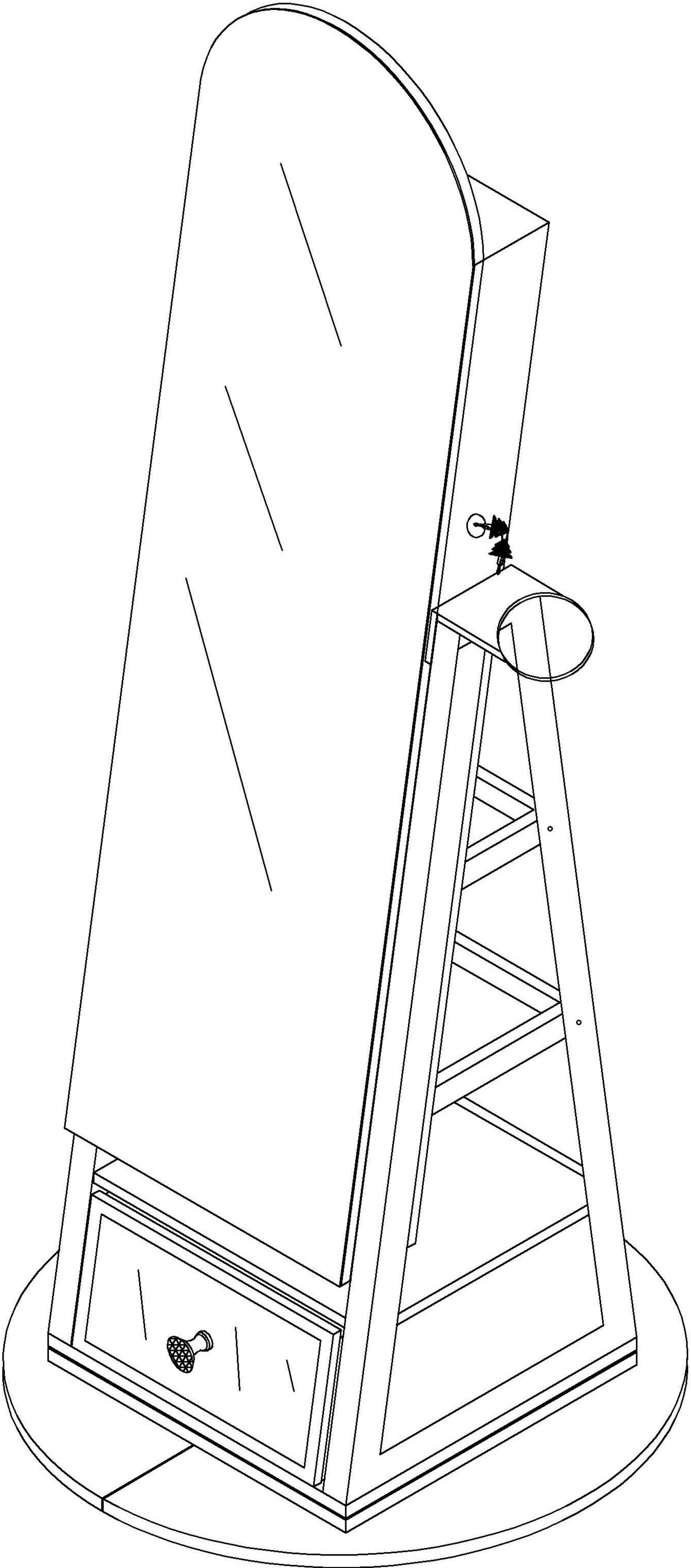
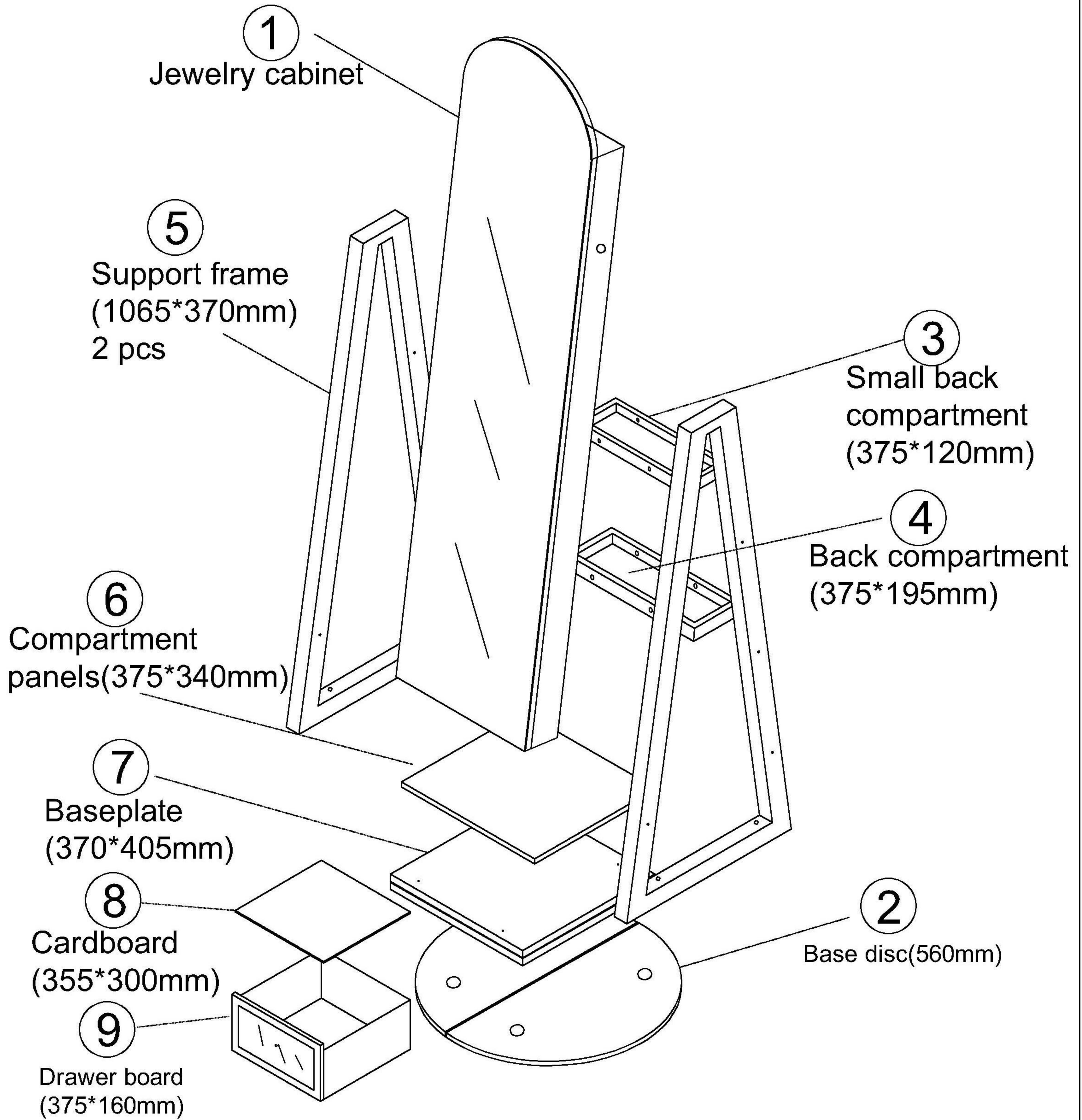


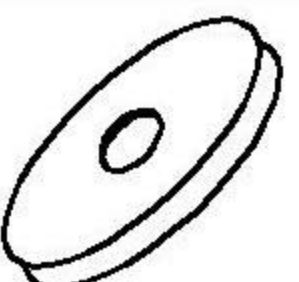
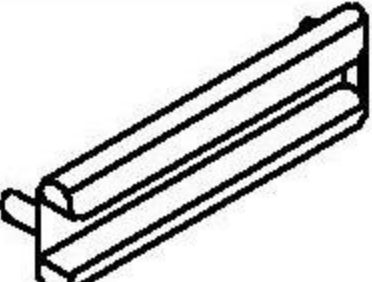


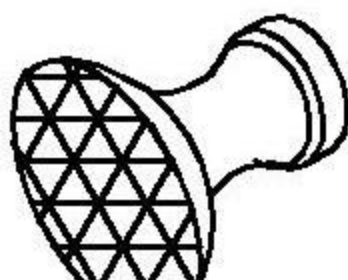

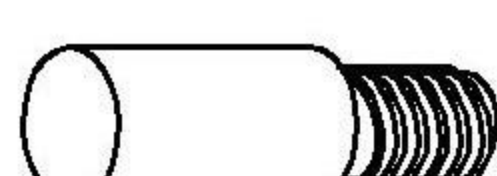
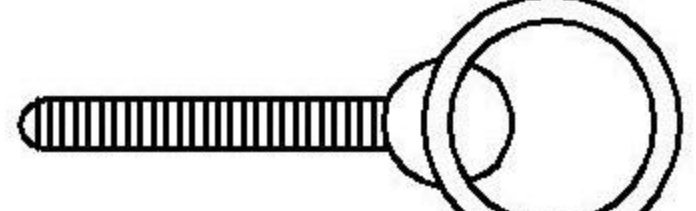


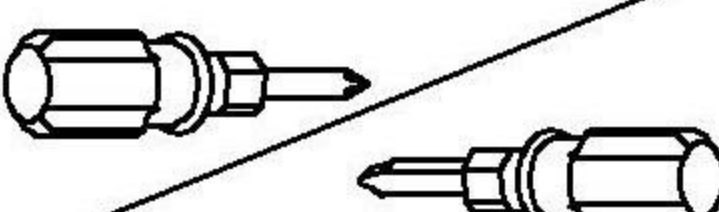
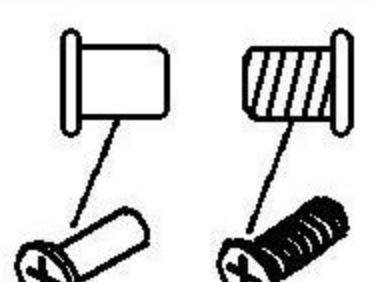
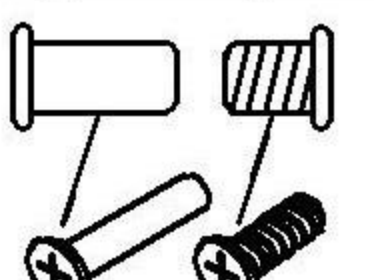






MIRROR JEWELLERY CABINET



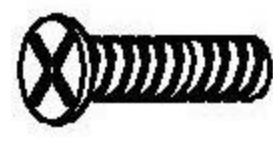
Hardware list

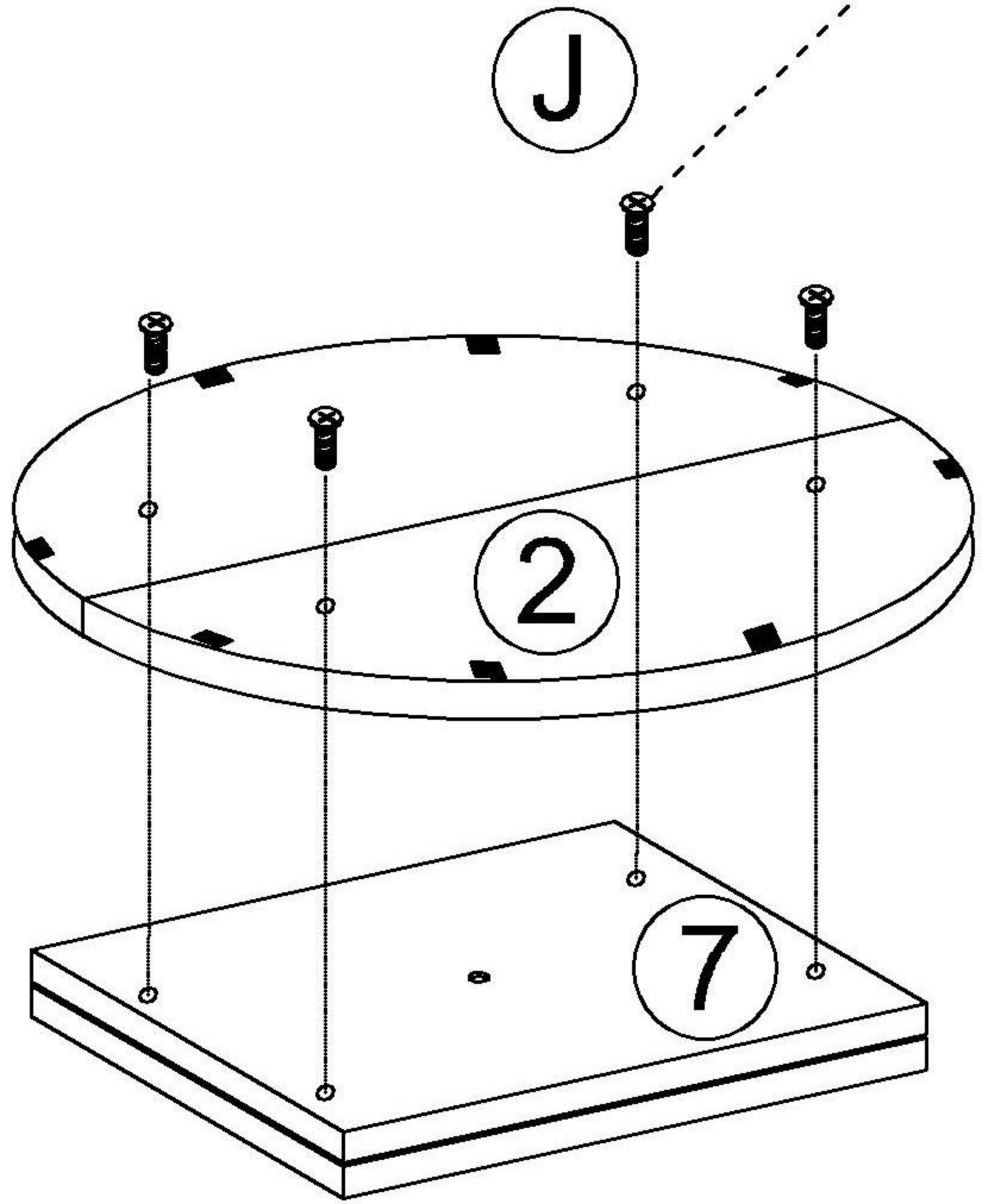
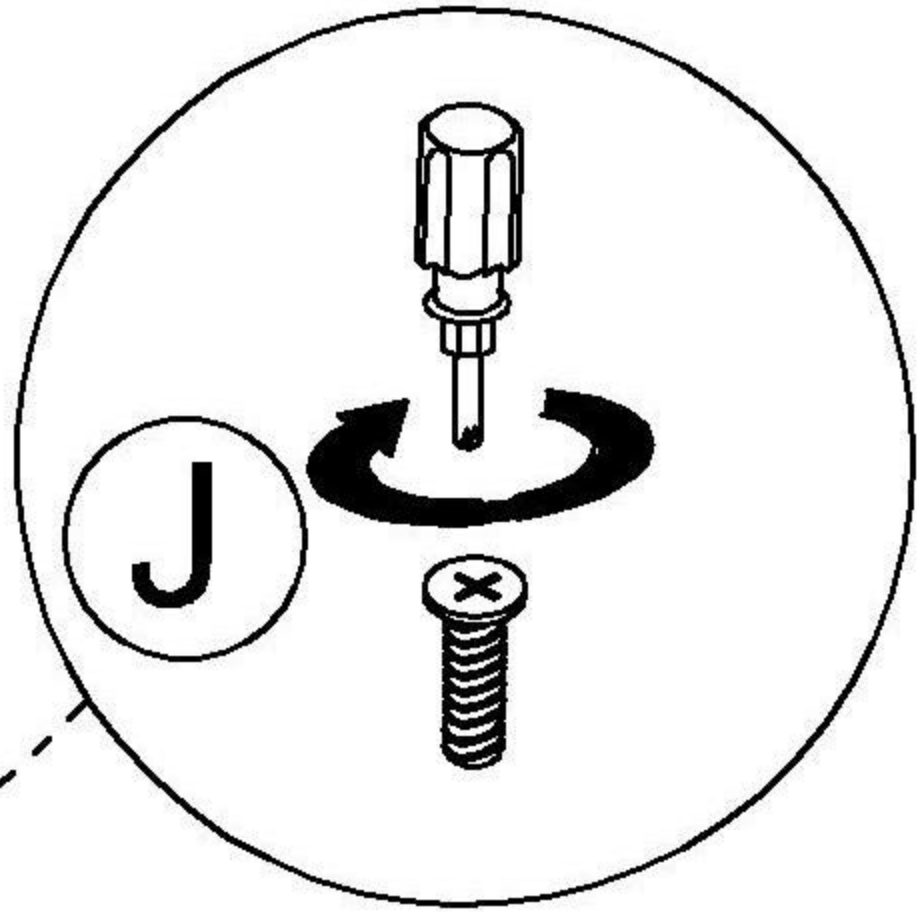


Accessories list

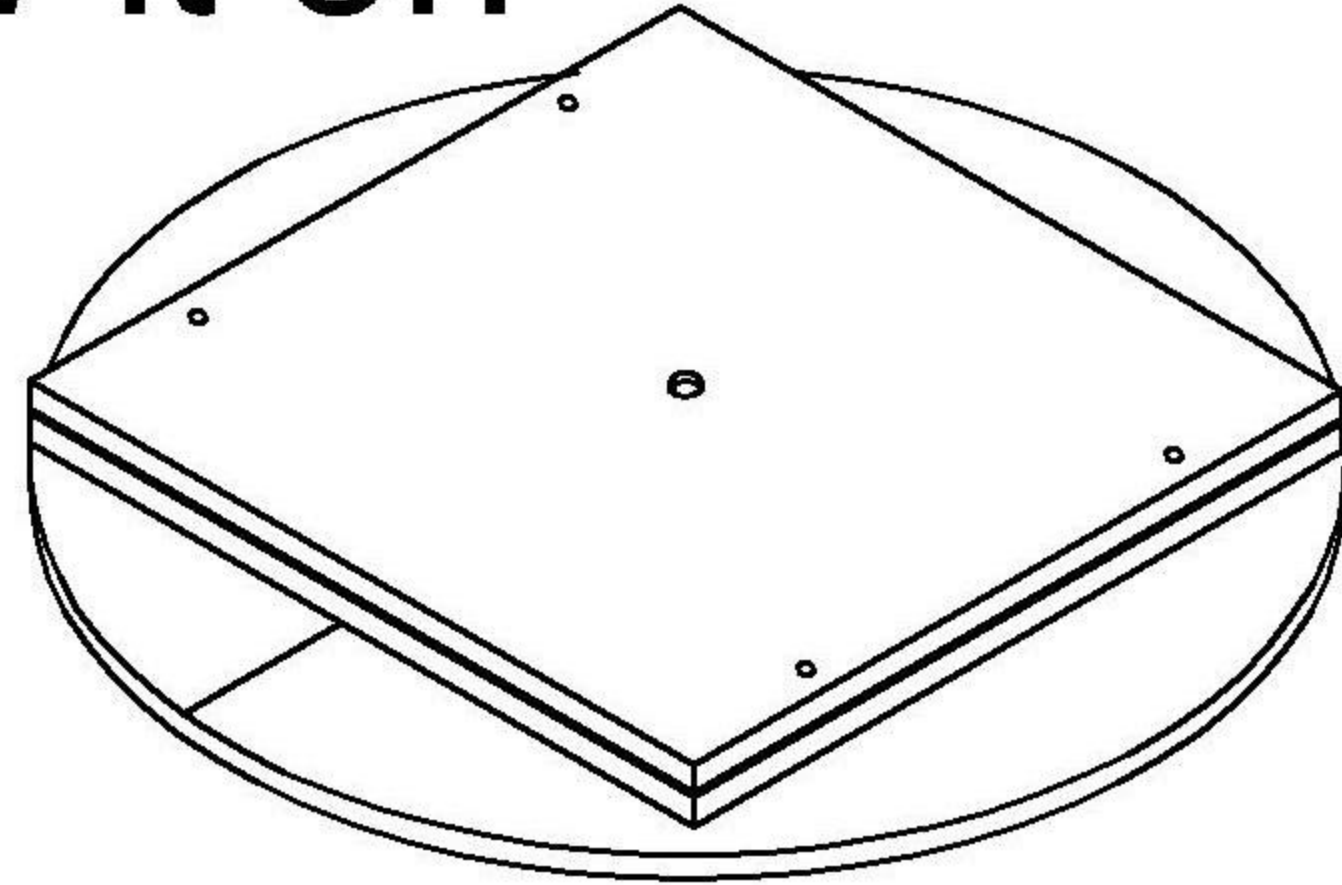
A		Gasket	1 Pcs
B		Acrylic left and right accessories	6 Pcs
C		Acrylic spacer	2 Pcs
D		Key	1 Pcs
E		Hold hands	1 Pcs
F		Cross nuts and gaskets (4x18mm)	1 Pcs
G		Countersunk head tapping screws (8x20mm)	2 Pcs
H		Eye-screw (8x30mm)	2 Pcs
I		Cross machine screw (6x50mm)	8 Pcs
J		Cross nut (6x22mm)	4 Pcs
K		Screwdriver	1 Pcs
L		(Short Type 5*8mm) Cross screw assembly	4 Pcs
M		(Long Type 5*20mm) Cross screw assembly	4 Pcs
N		Self tapping screw (3x16mm)	1 Pcs
O		Anchor Wall Plug/Self tapping screw (4x45mm)	1 Pcs
P		Anti-rewind (290mm)	1 Pcs
Q		Hair dryer holder	1 Pcs
R		Self tapping screw (3x10mm)	6 Pcs
S		Iron hook	3 Pcs

Step 1


J  (6*22mm) **X 4**

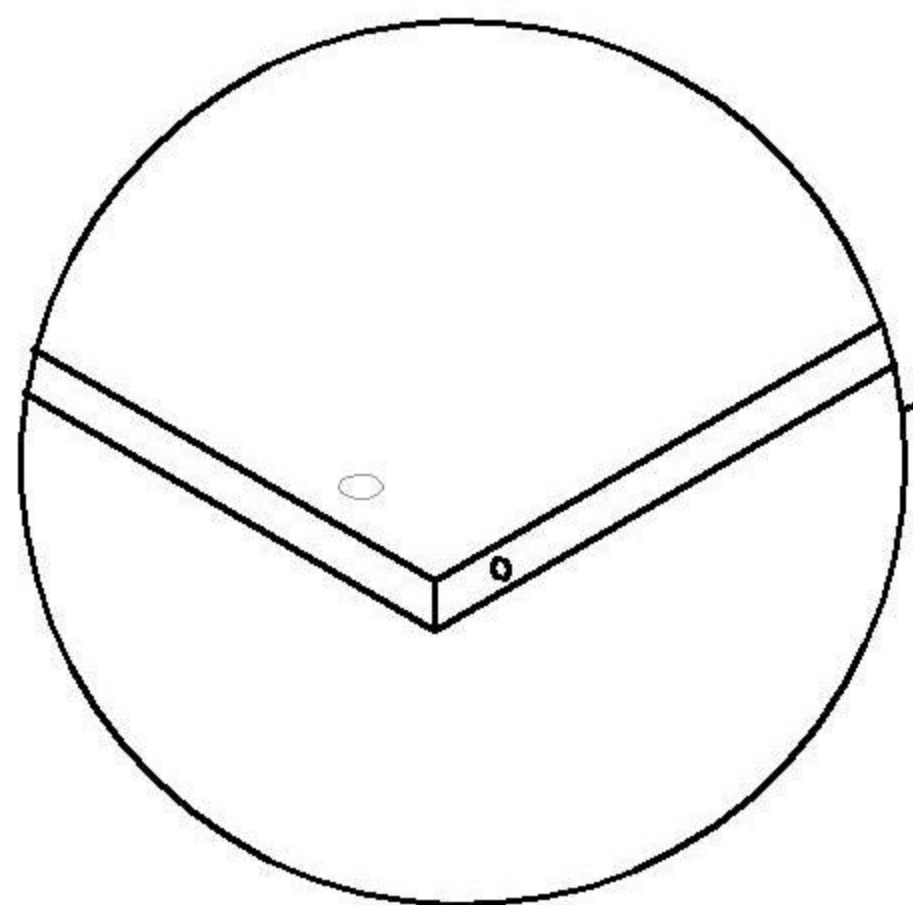
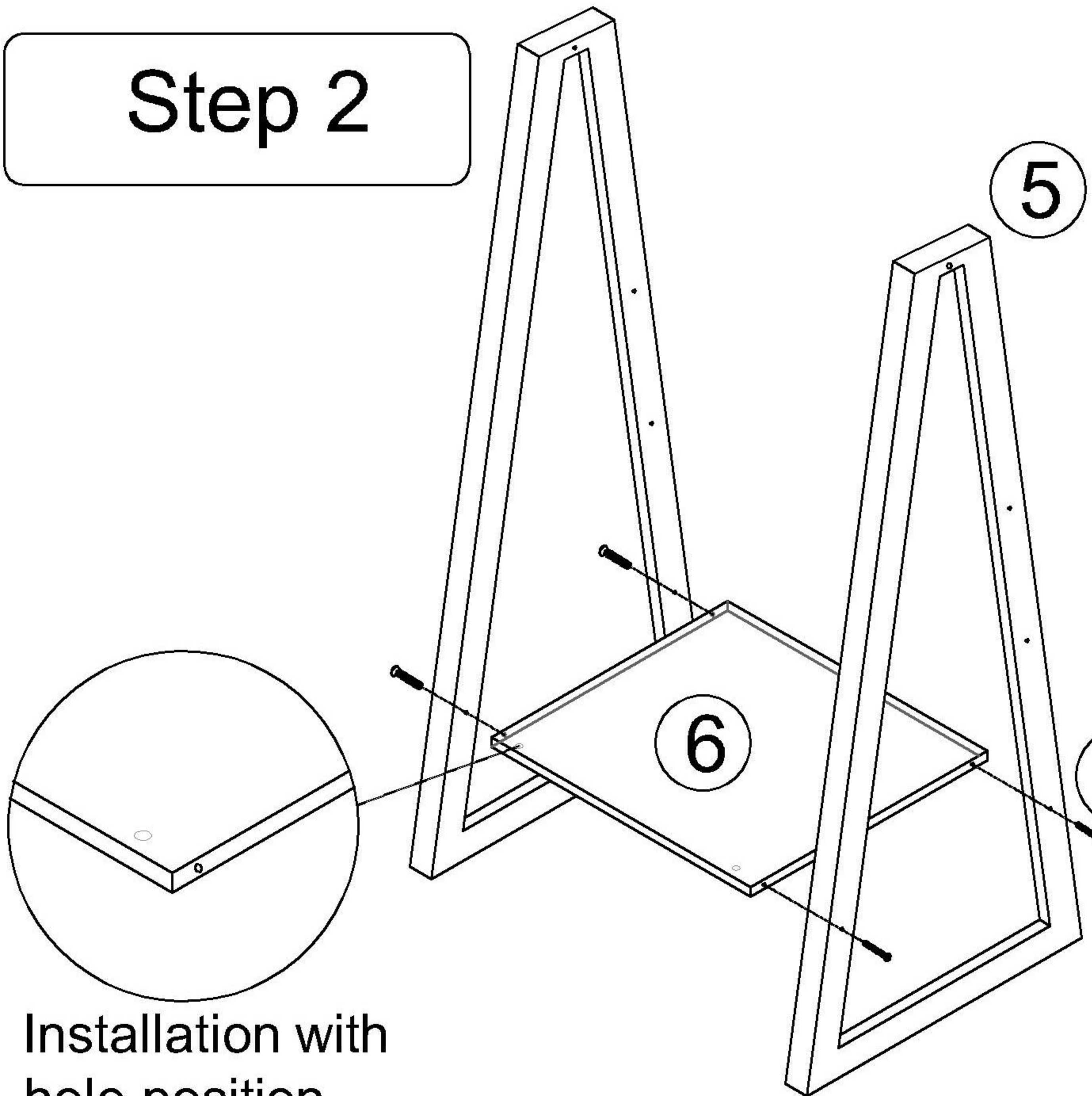


Turn the plank and screw it on

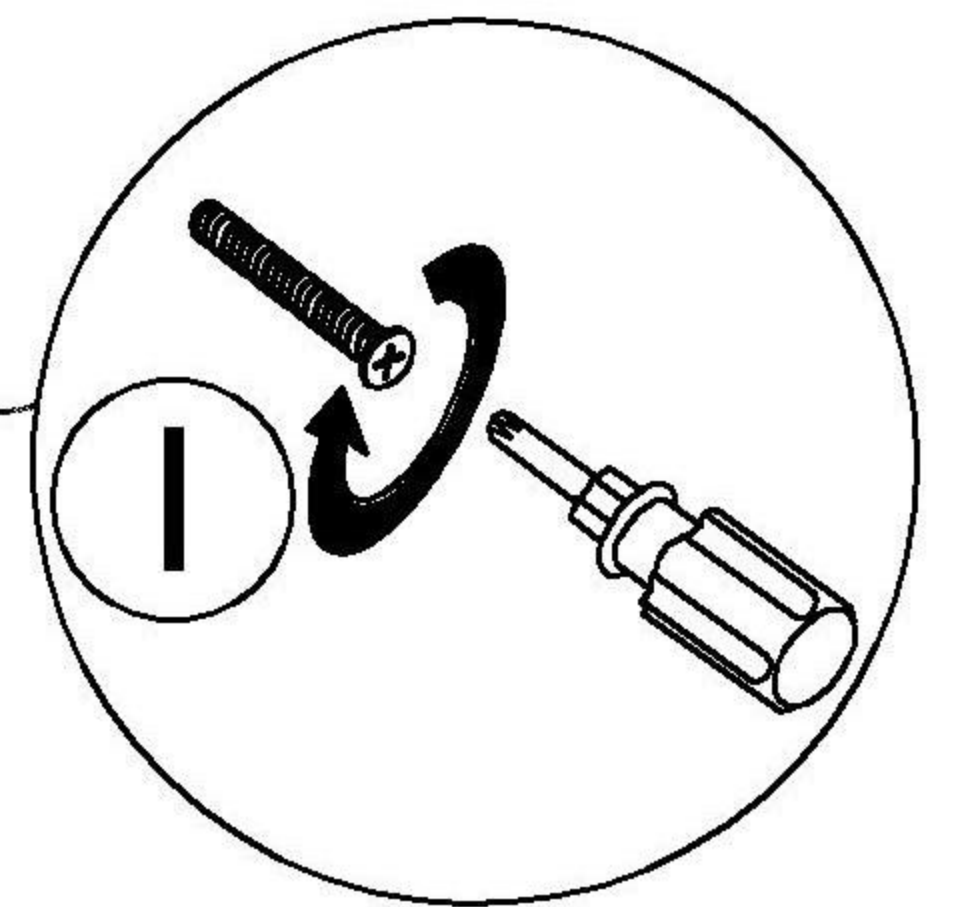


Step 2

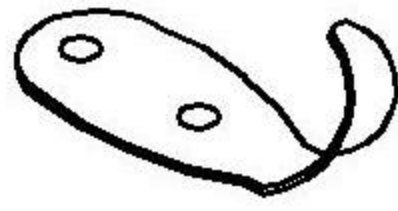

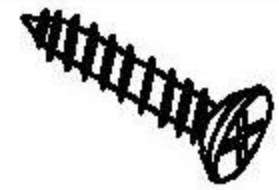
I  (6*50mm) **X 4**

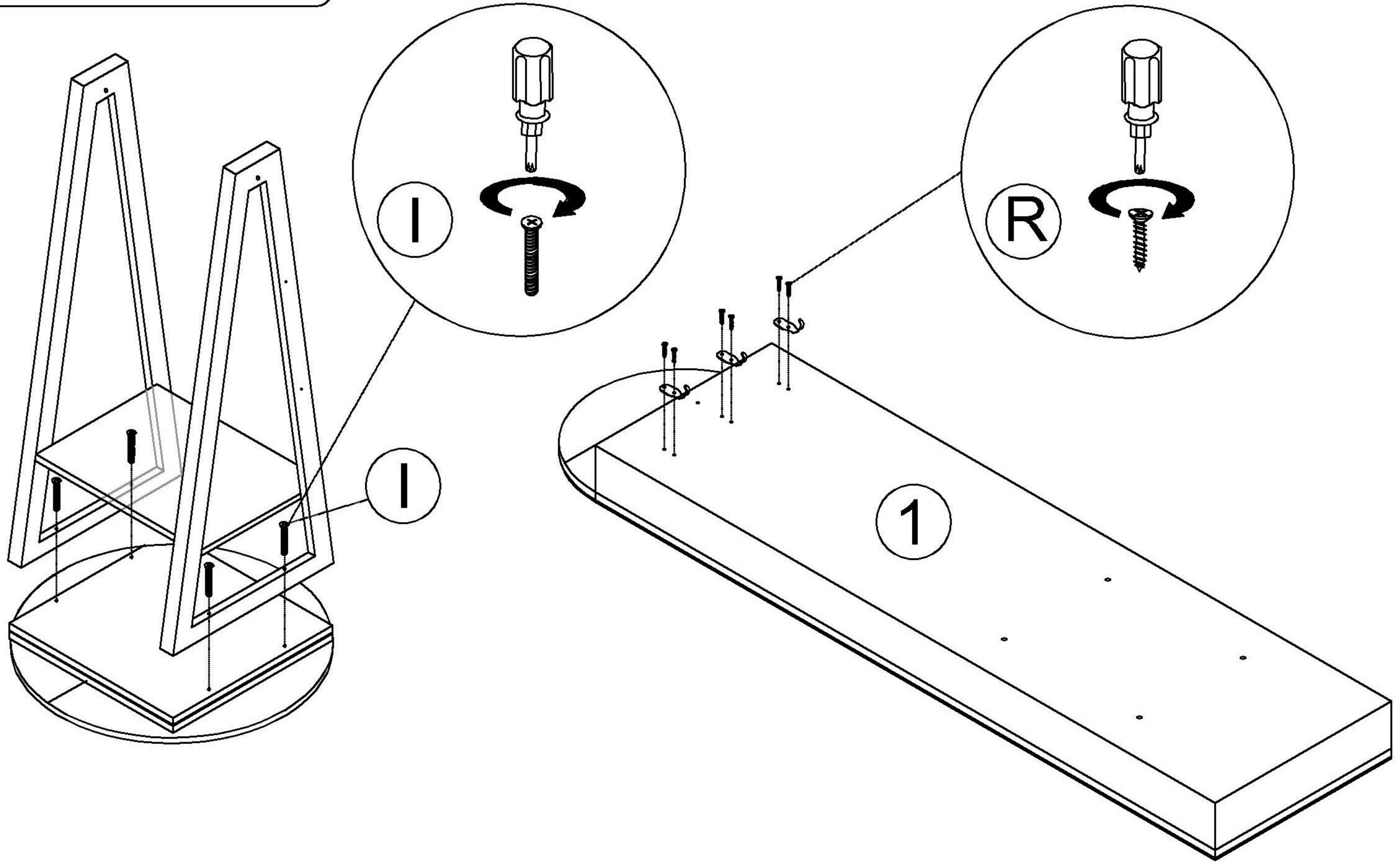


Installation with hole position downward



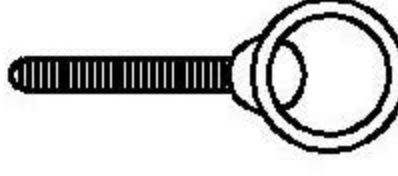


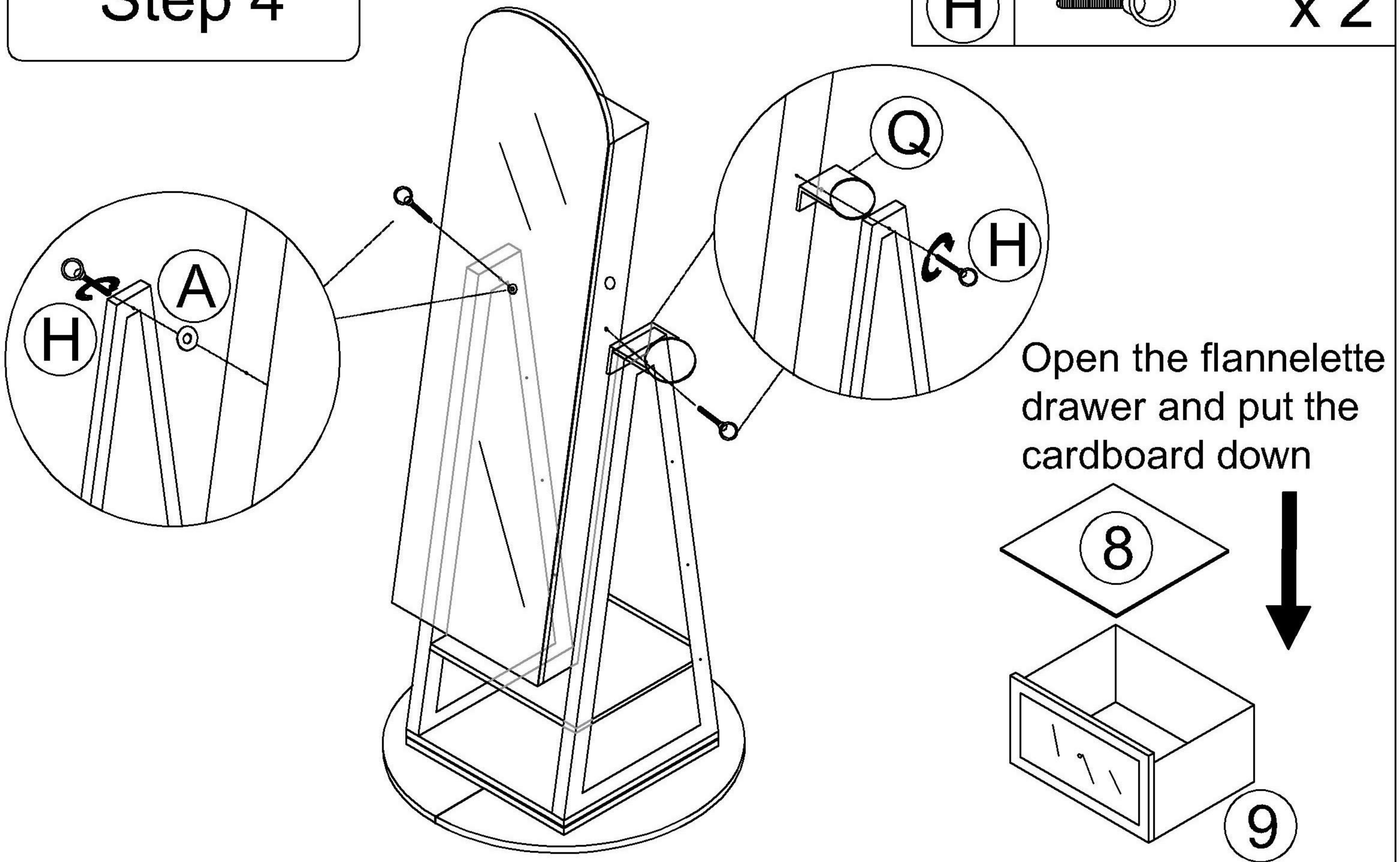
Step 3

(S)		x 3	(I)		(6*50mm) x 4
			(R)		(3*10mm) x 6







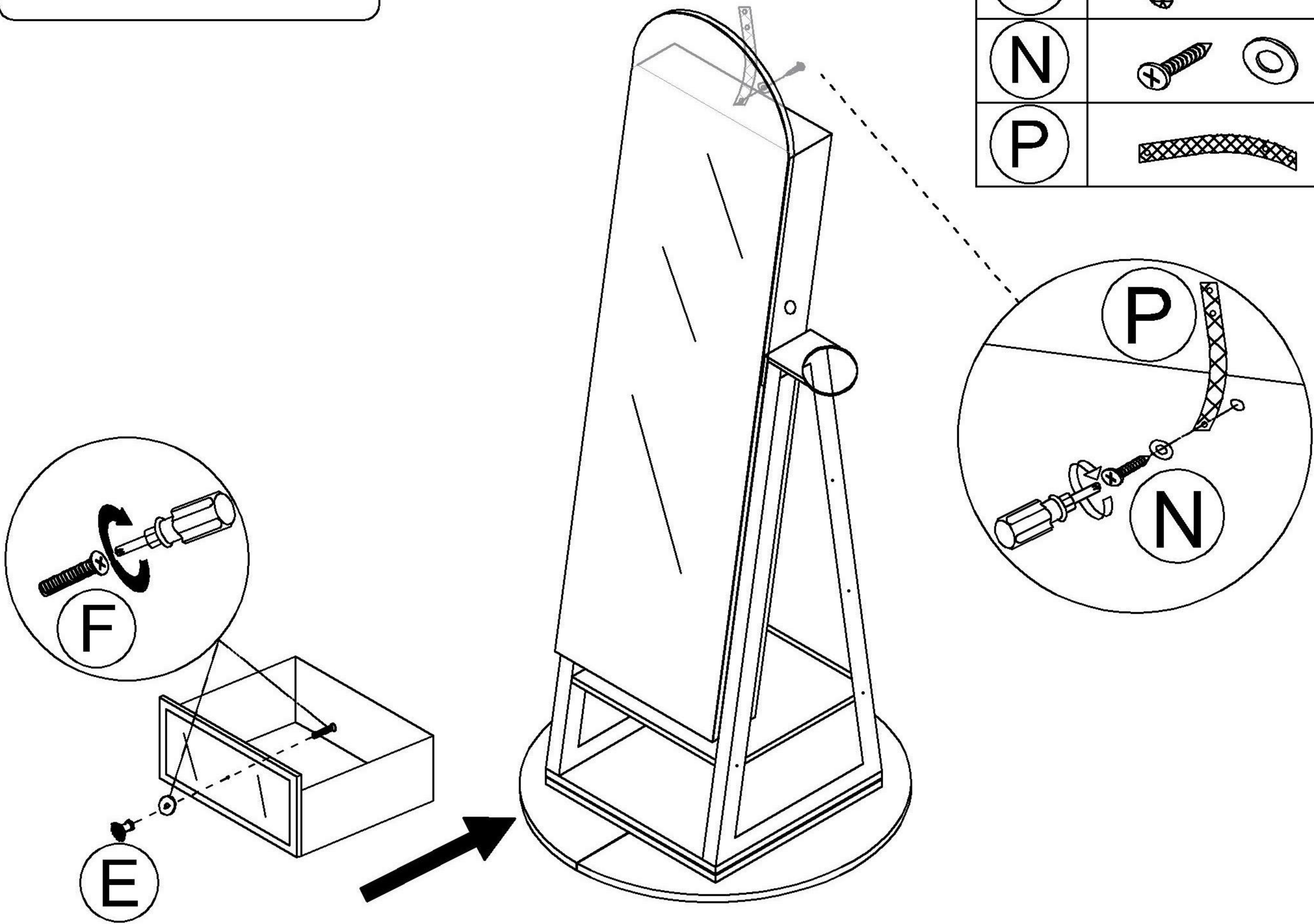
Step 4

(Q)		x 1	(A)		x 1
			(H)		x 2

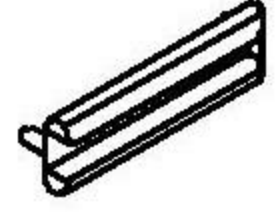

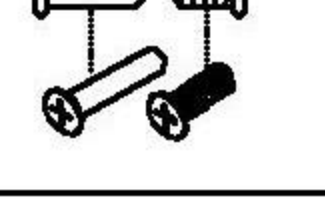



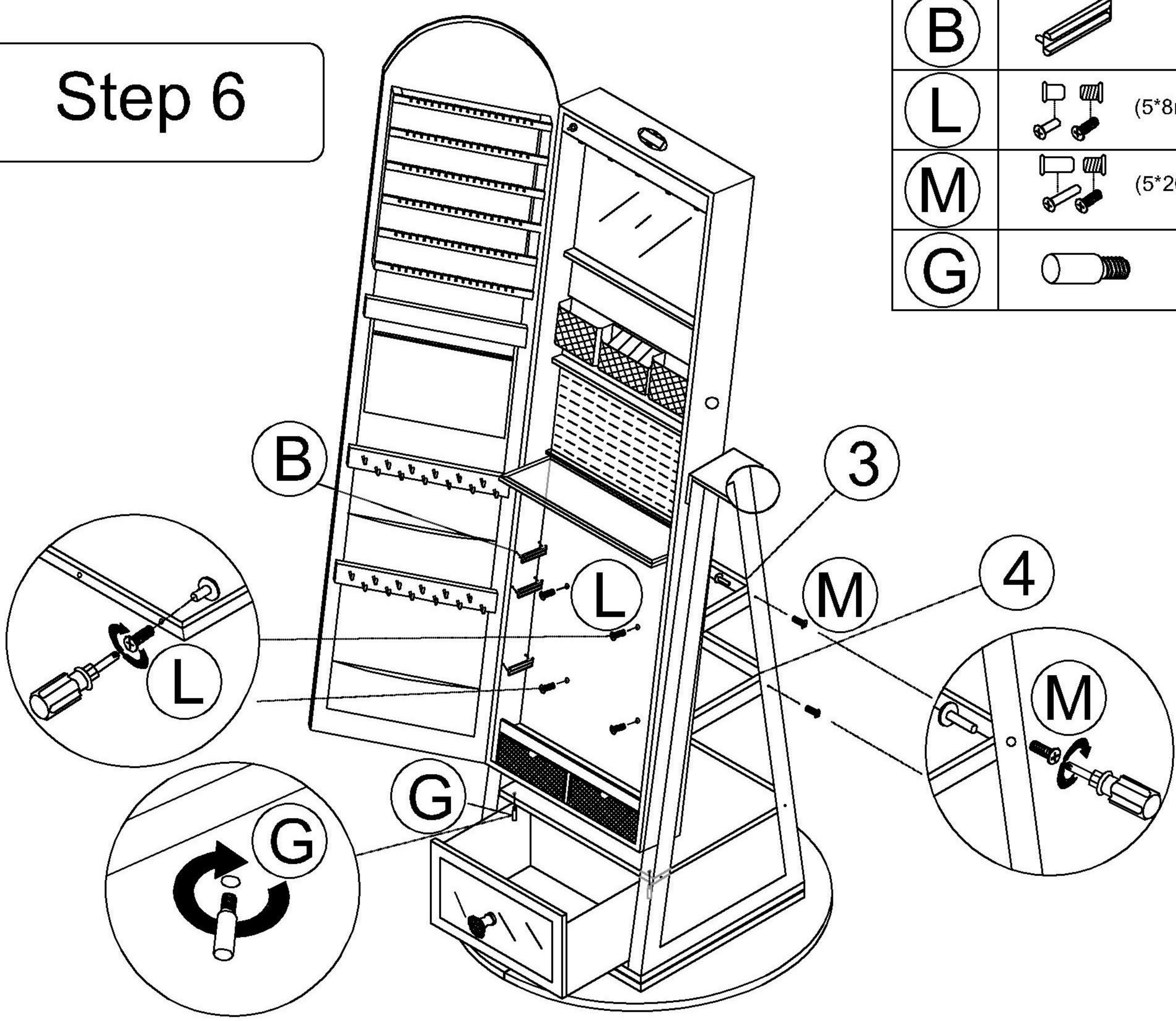
Step 5

F	 (4*18mm) X 1
E	 X 1
N	 X 1
P	 X 1



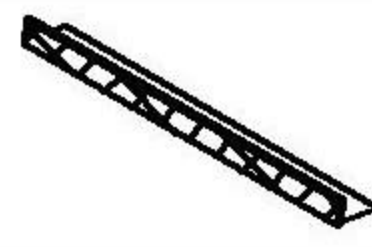
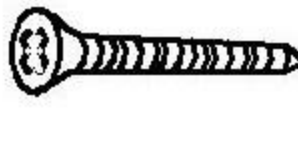
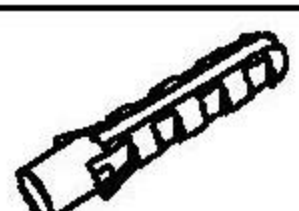
Step 6

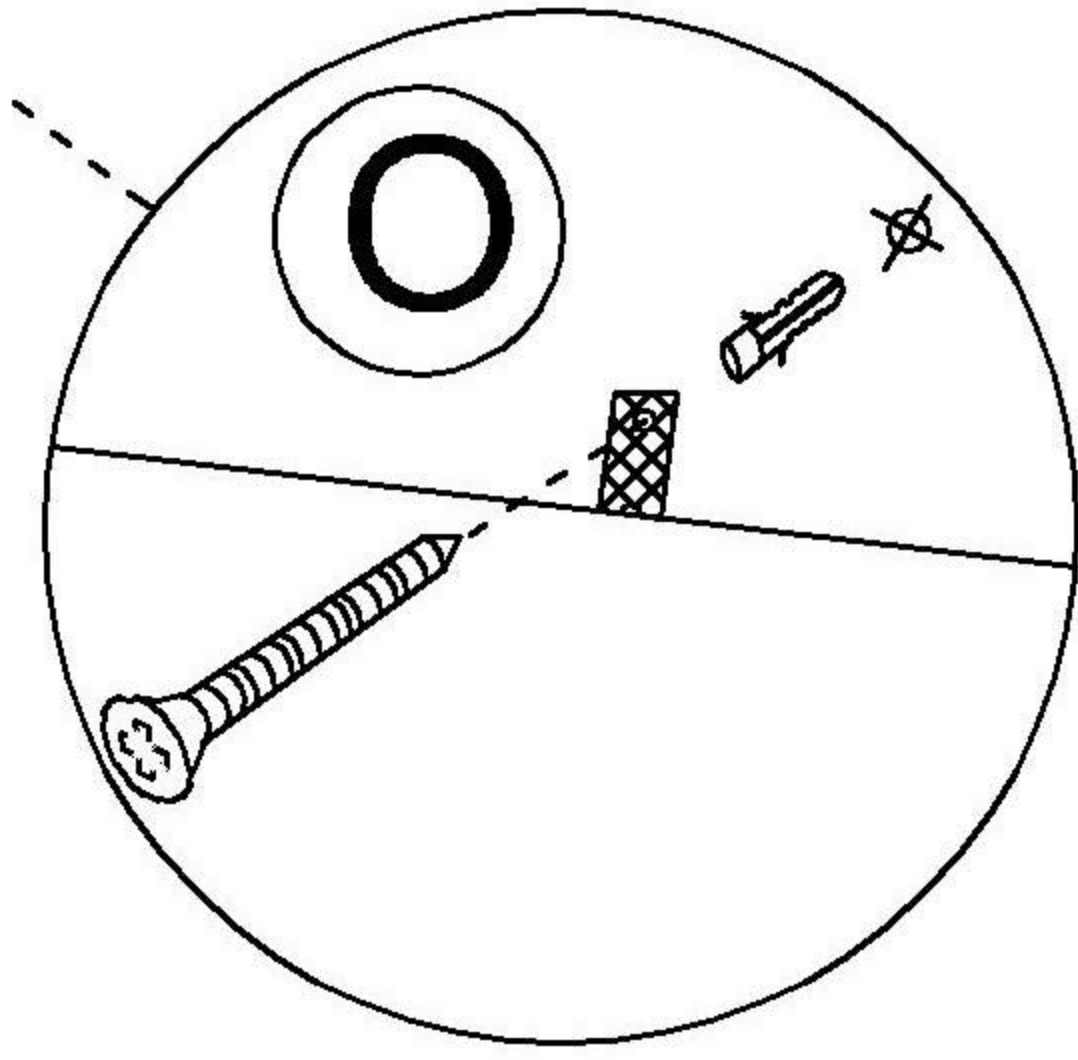
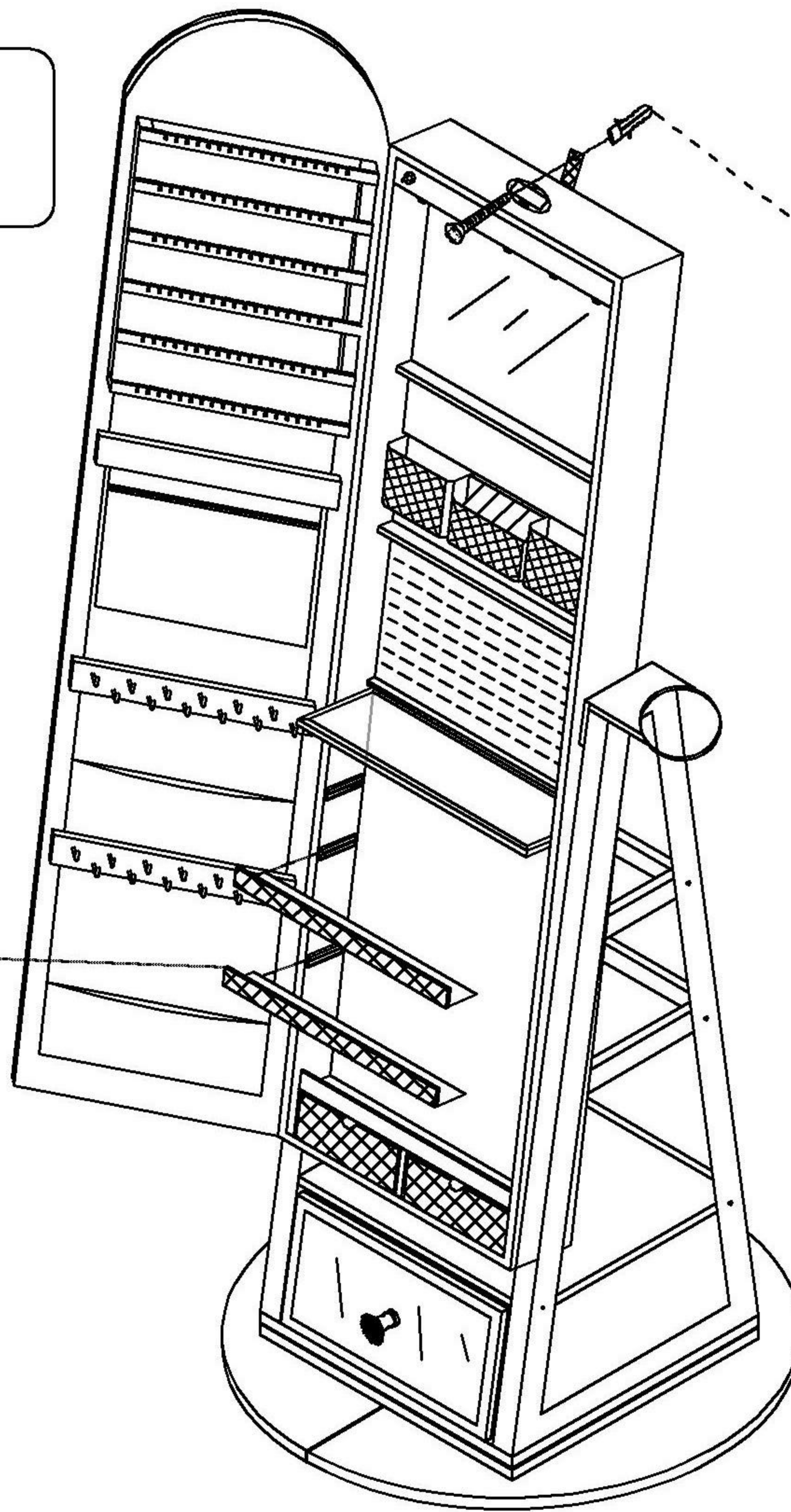
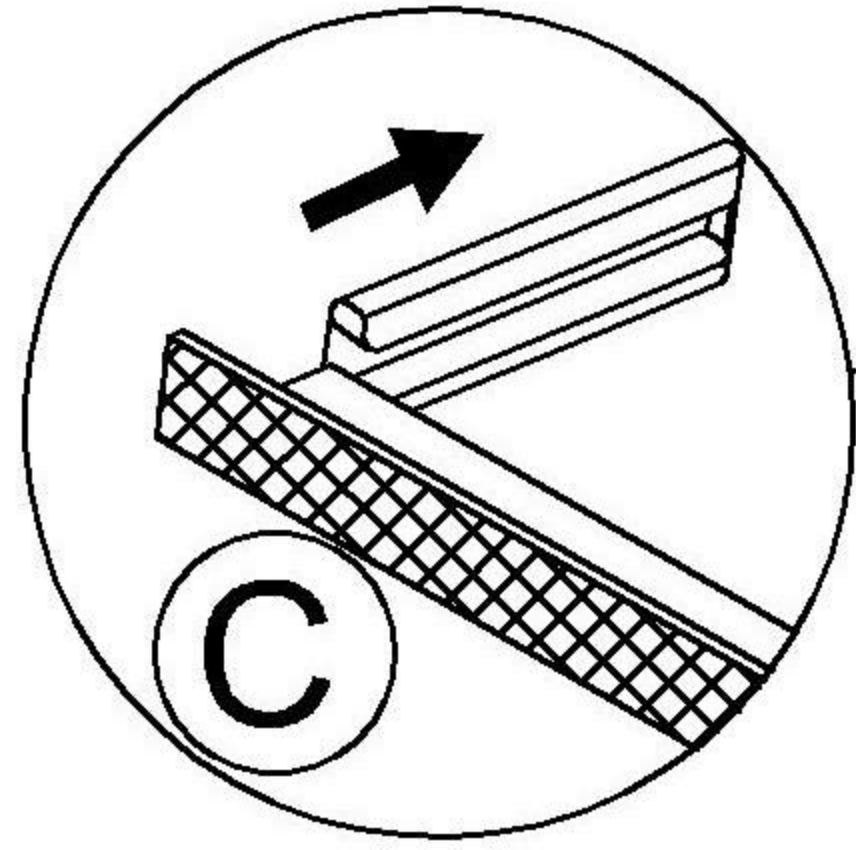
B	 X 6
L	 (5*8mm) X 4
M	 (5*20mm) X 4
G	 X 2



Step 7

Adjustable up and down as needed

C		x 2
O	 	x 1



Step 8

Battery installation
(Tip: use 3 AAA Batteries)

