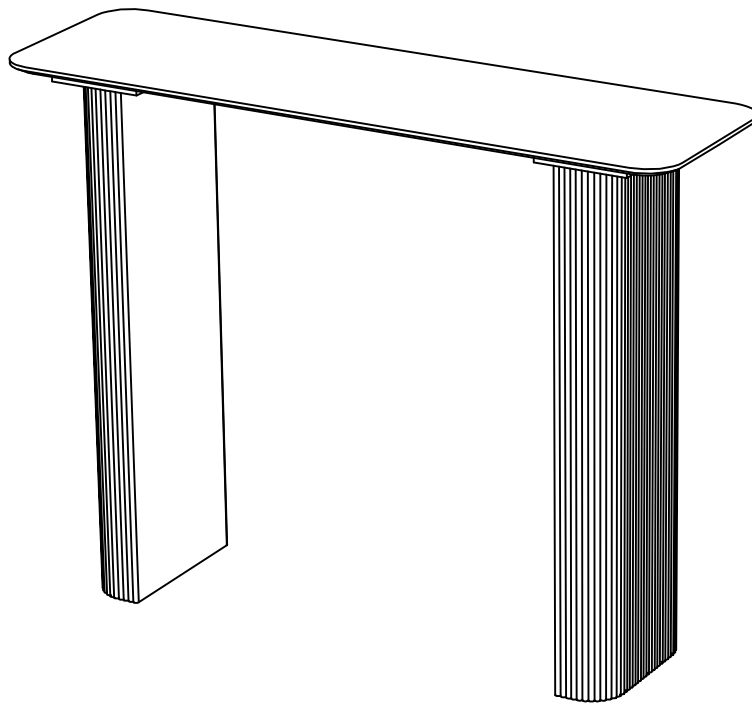


ASSEMBLY INSTRUCTIONS

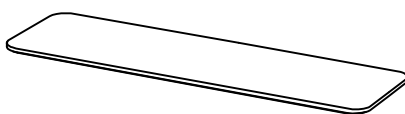
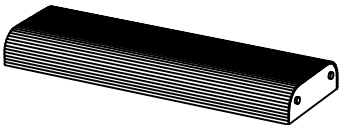

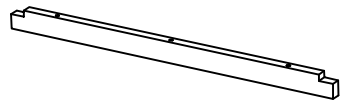
Console Table

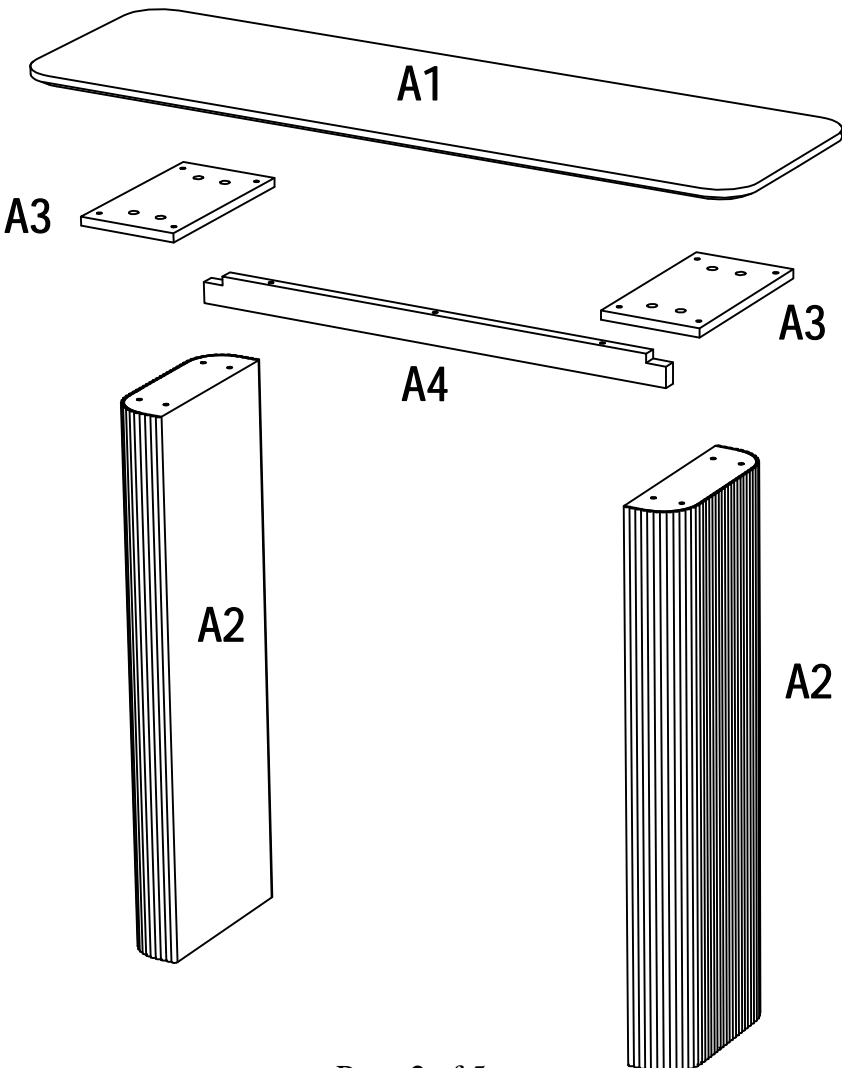


NOTE TO CUSTOMERS:

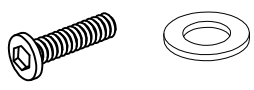


- For ease and speed of assemble we recommend that before you commence each step of the assembly that you identify all the parts required to complete that step.
- We recommend that where possible you allow sufficient space to assemble the item as close as possible to the place where it will be once assembled.
- For the protection of your furniture we recommend that the product is placed on protected surfaces during assembly to prevent any damage.
- During assembly do not over tighten, as this may damage the product.
- Please ensure you retain all the product packaging until the item completely assembled.
- Please periodically check all fittings and re-tighten as necessary.
- Please never allow any liquids to remain on your furniture as absorption can cause the wood to warp or the finish to de-laminate.
- It is recommended that this item should be assembled by two adults.

Part List

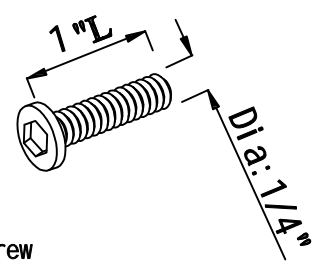
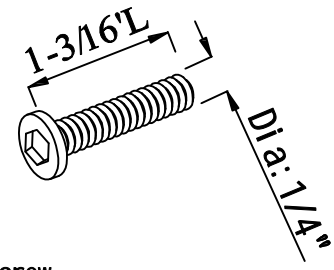
A1.  Top Panel	Qty:1	A2.  Side Panel	Qty:2	A3.  Wood Block	Qty:2
A4.  Apron	Qty:1				



Part List

B1. 16SETS  Bolt with washer	B2. 3SETS  Bolt with washer		
--	---	--	--

APPENDIX:Dimension of hardware in this AI.

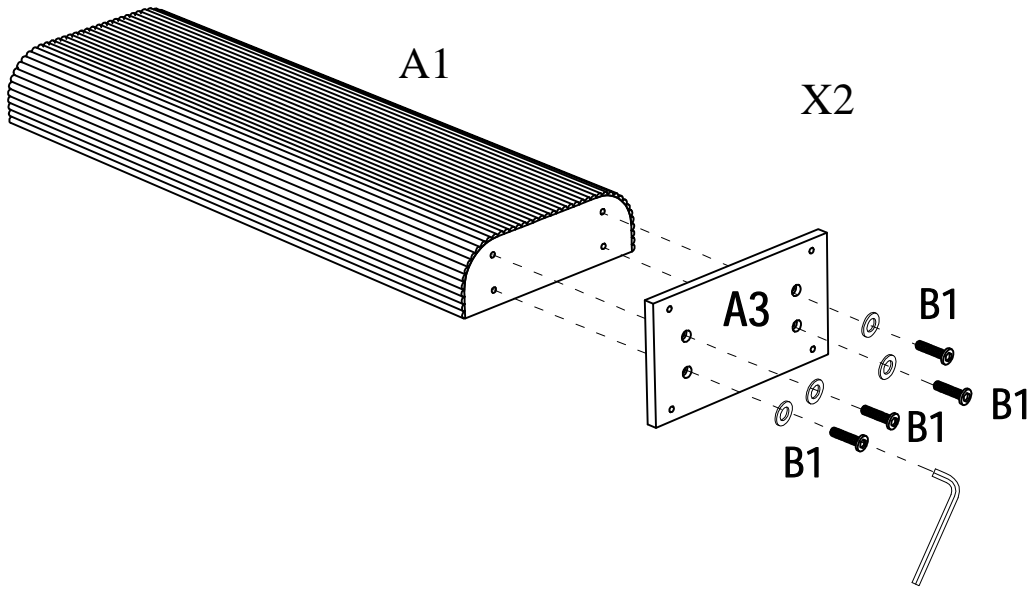
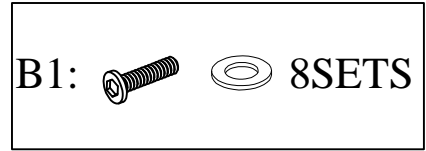
B1.  Screw	B2.  Screw	
--	--	--

Note:

- Read these instructions carefully before assembling.
- Tool required:Philips screwdriver, flat screwdriver.
- Find a clean, smooth area on which to work, such as a carpet, in order to avoid scratching the wood surfaces.
- Wait dispose of the packing material until assembly is complete and all parts and hardware are accounted for.
- Two or more people might be required for assembly.

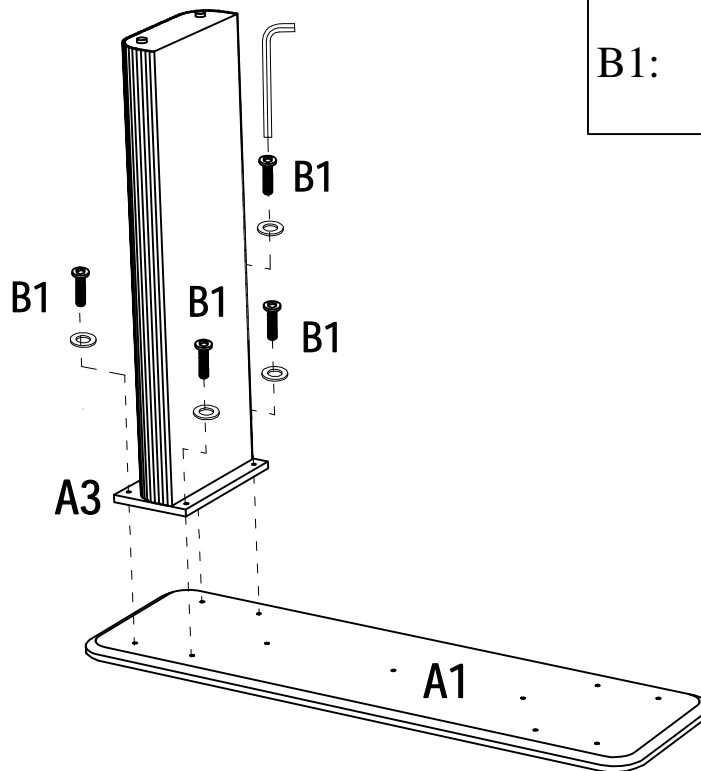
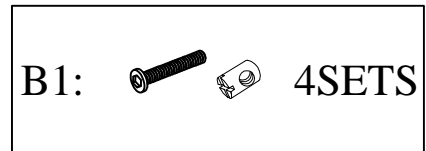
Step 1

Assembly Instructions



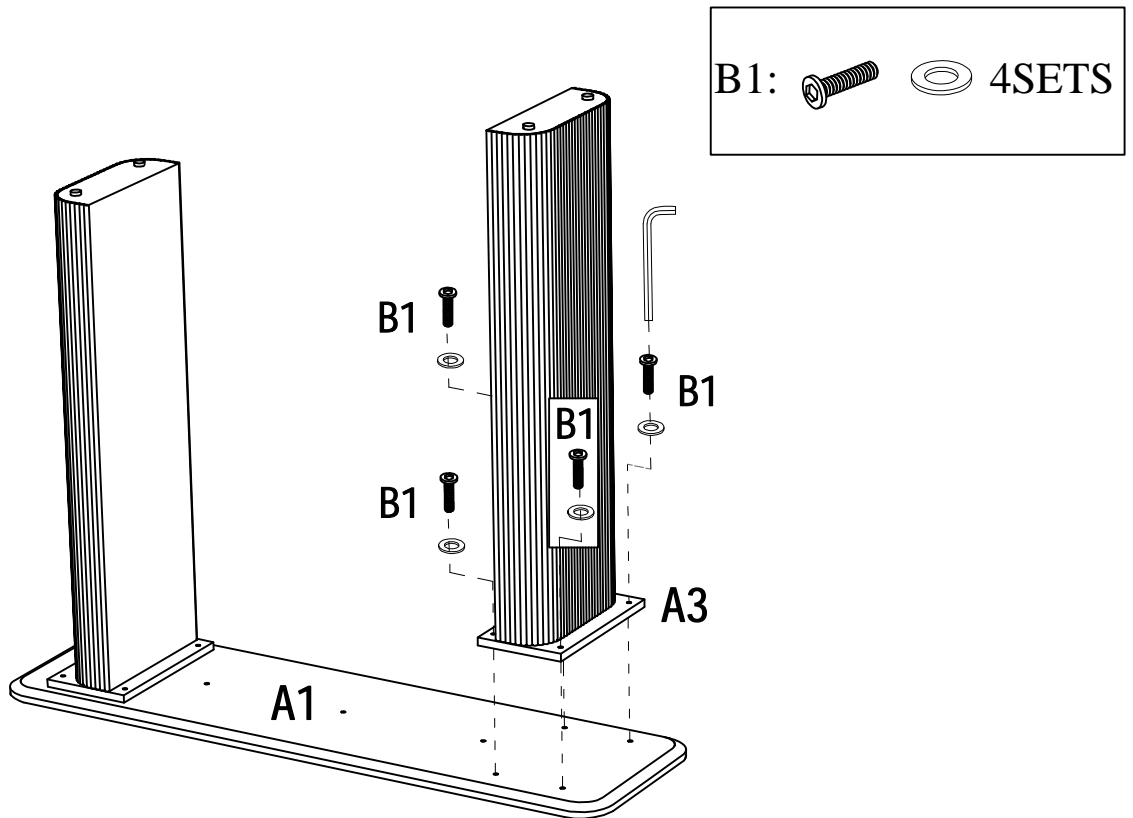
Assemble Wood Blocks A3 Side Frames A1 using Bolts with washers B1 as shown above.

Step 2



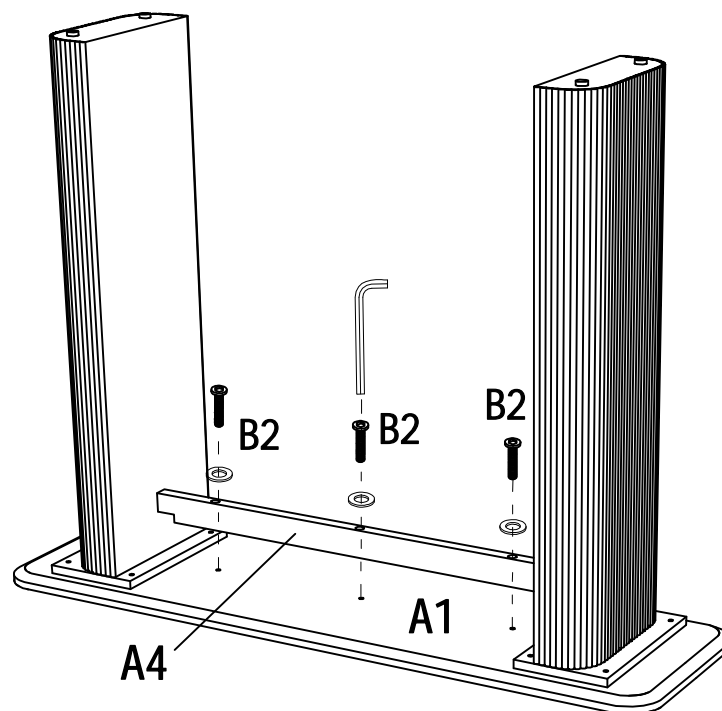
Assemble Wood Block A3 to the bottom of Top Panel A1 using Bolts with washers B1 as shown above.

Step 3



Assemble Wood Block A3 to the bottom of Top Panel A1 using Bolts with washers B1 as shown above.

Step 4



Assemble Apron A4 to the bottom of Top Panel A1 using Bolts with washers B2 as shown above.