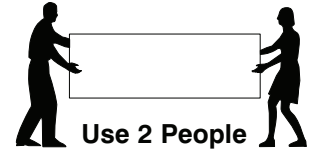
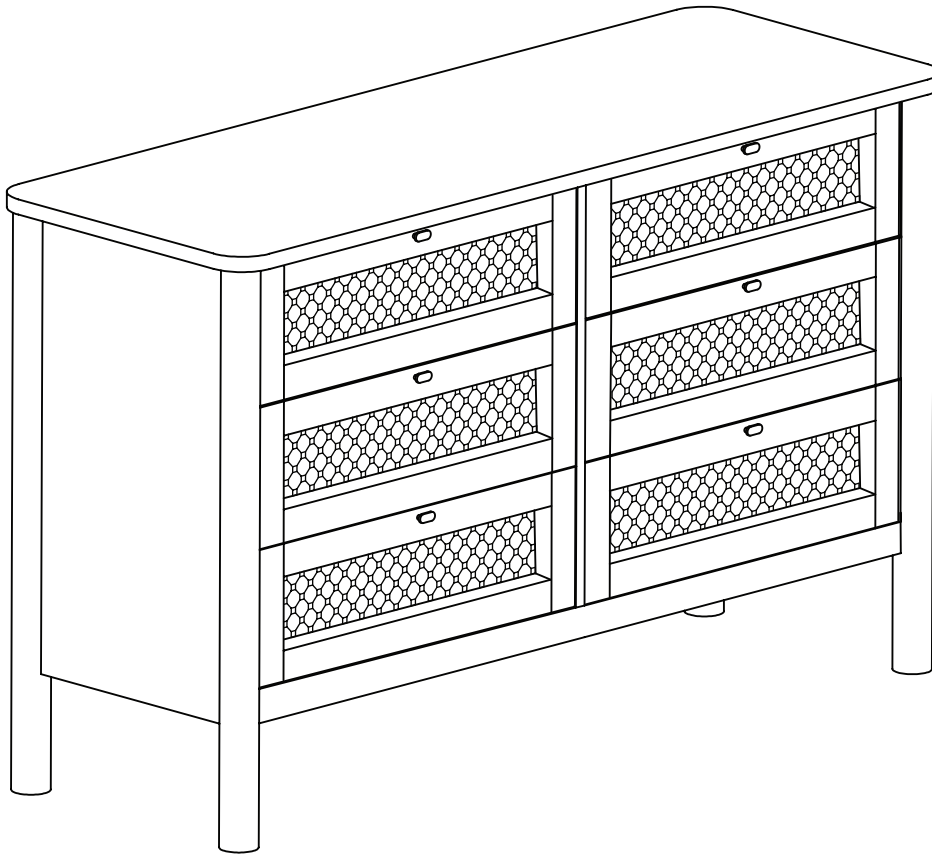


9006 6 Drawer Dresser

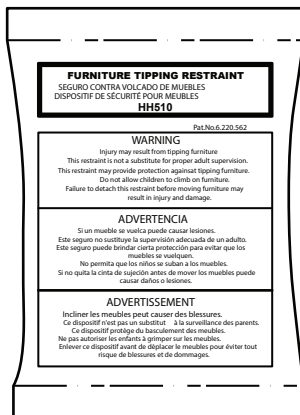
Assembly Instructions

WI-0424



Note: Do not assemble using power tools. This can cause the bolts to be overtightened

WARNING



Anti Tipping Kit
Anti Tipping Kit x 1



Children have died from furniture tipover.

To reduce the risk of furniture tipover:

- ALWAYS install anti-tip device provided.
- NEVER put a TV on this product.
- NEVER allow children to stand, climb, or hang on any drawers, doors or shelves.
- NEVER open more than one drawer at a time.
- DO NOT defeat or remove the drawer interlock system; it is an important stability and safety system.
- Place heaviest items in the lowest drawer.

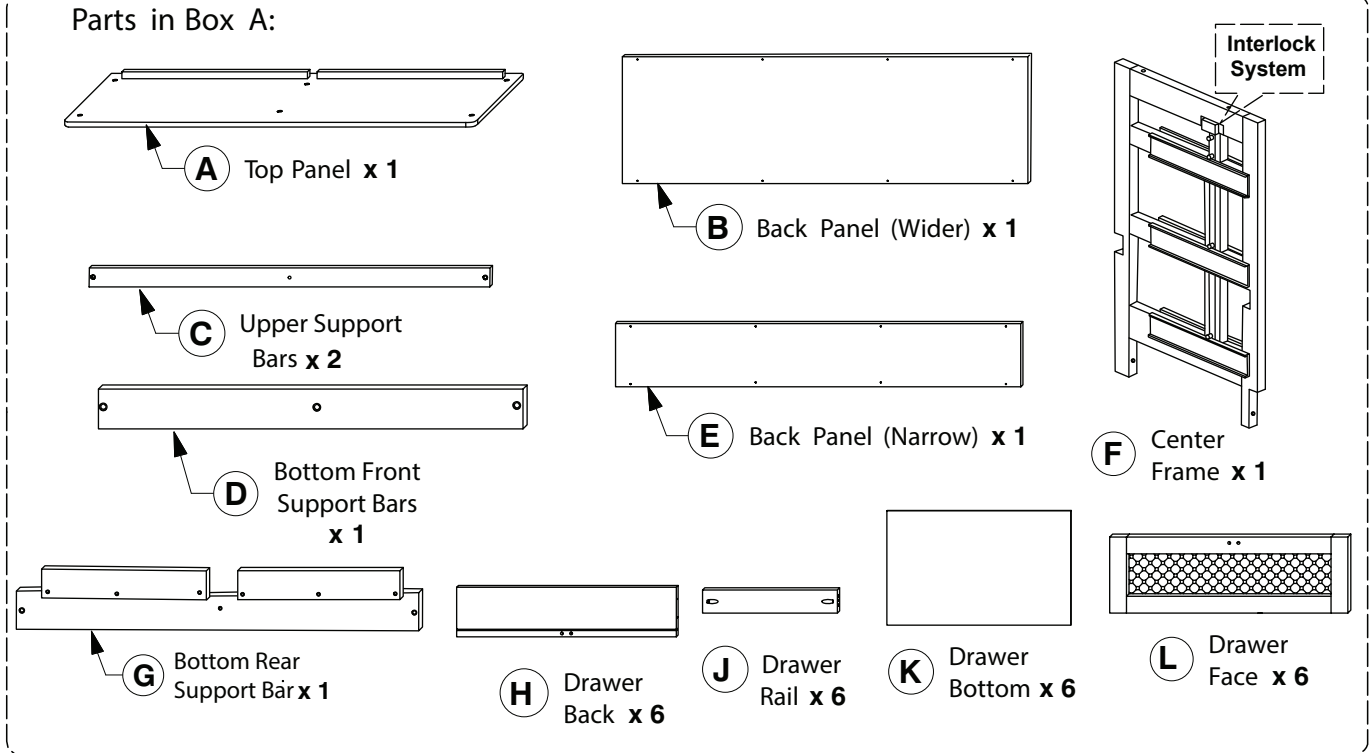
9006 6 Drawer Dresser

Assembly Instructions

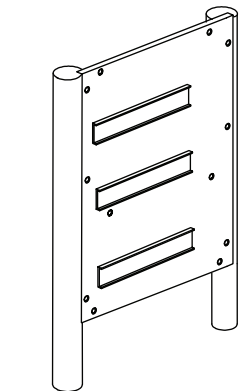
WI-0424

1 Parts List

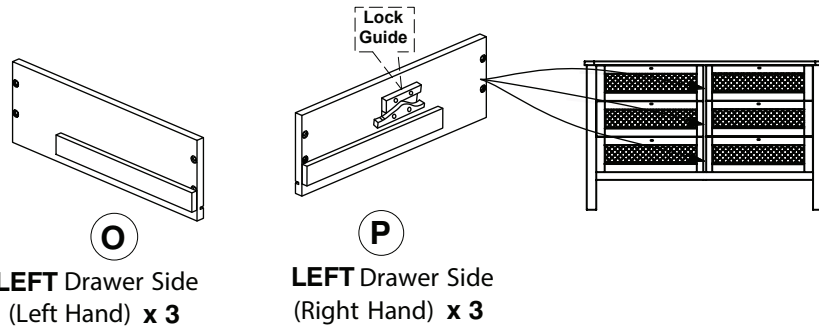
Parts in Box A:



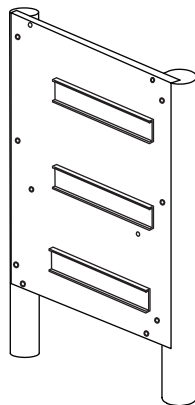
Parts in Box B:



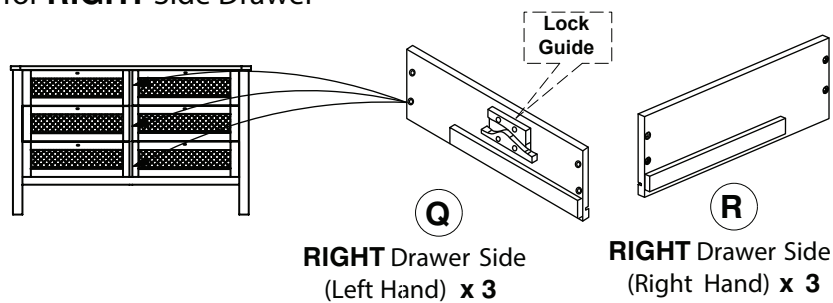
Parts for **LEFT** Side Drawer



M Side Panel (Left Hand) x 1



Parts for **RIGHT** Side Drawer



9006 6 Drawer Dresser

Assembly Instructions

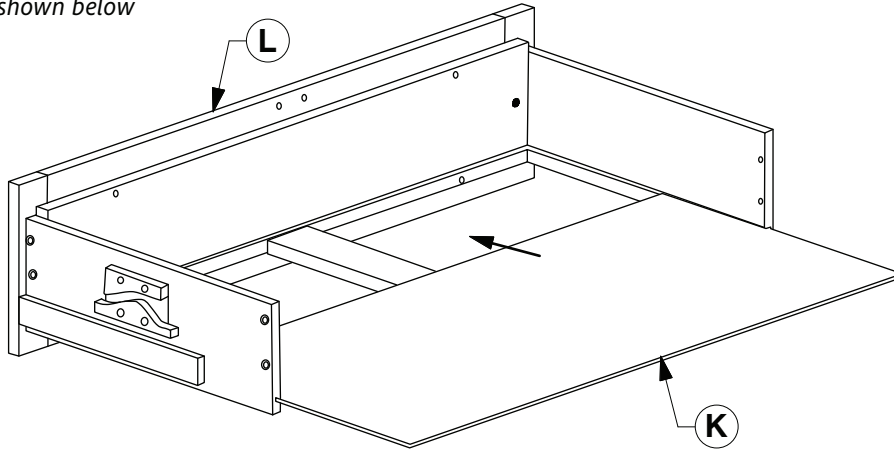
WI-0424

3 Assemble the Drawers.

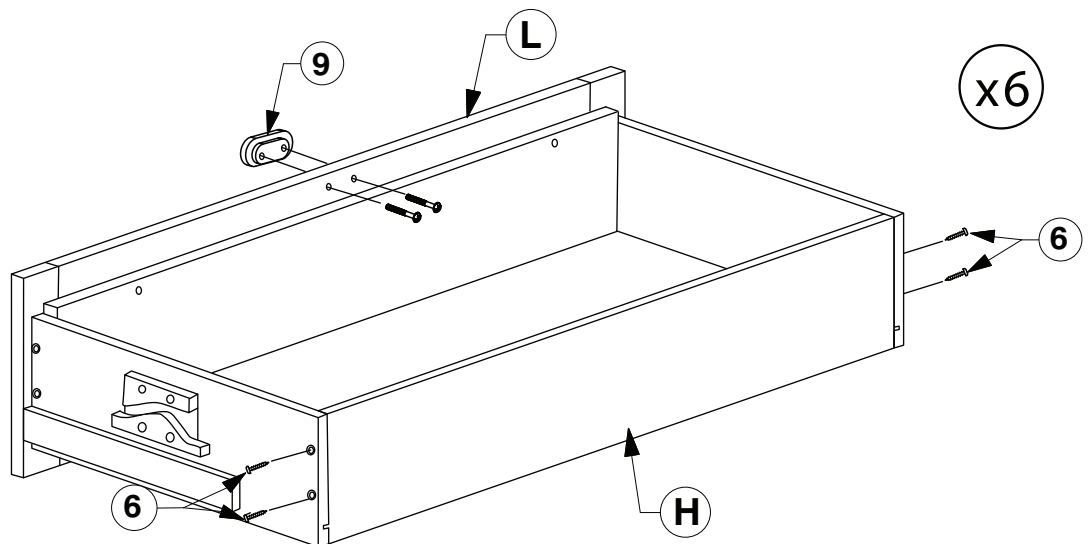
STEP 3.2

* 3 Assemble the left and right drawers as shown below

x6

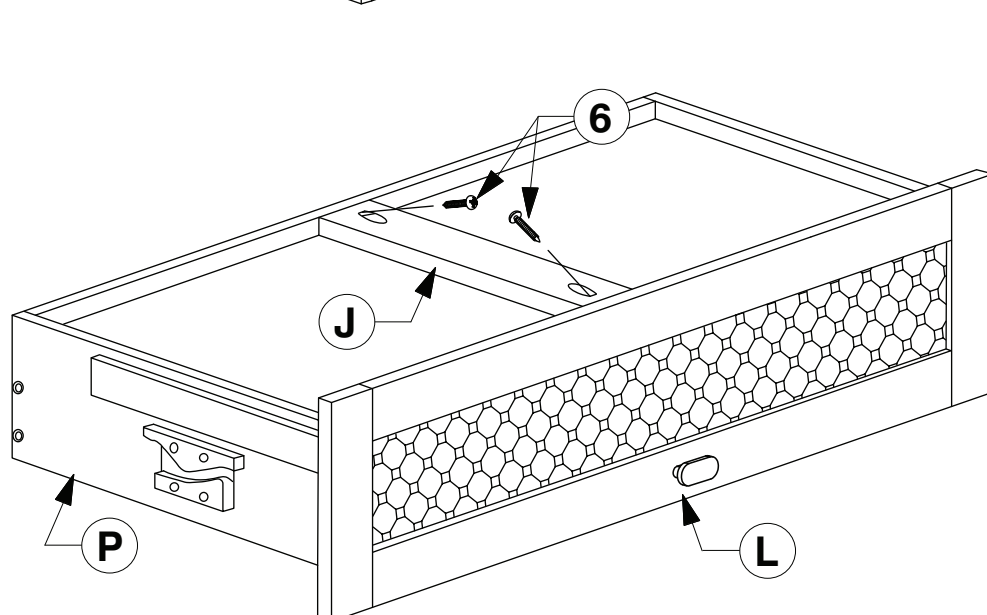


STEP 3.3



x6

STEP 3.4



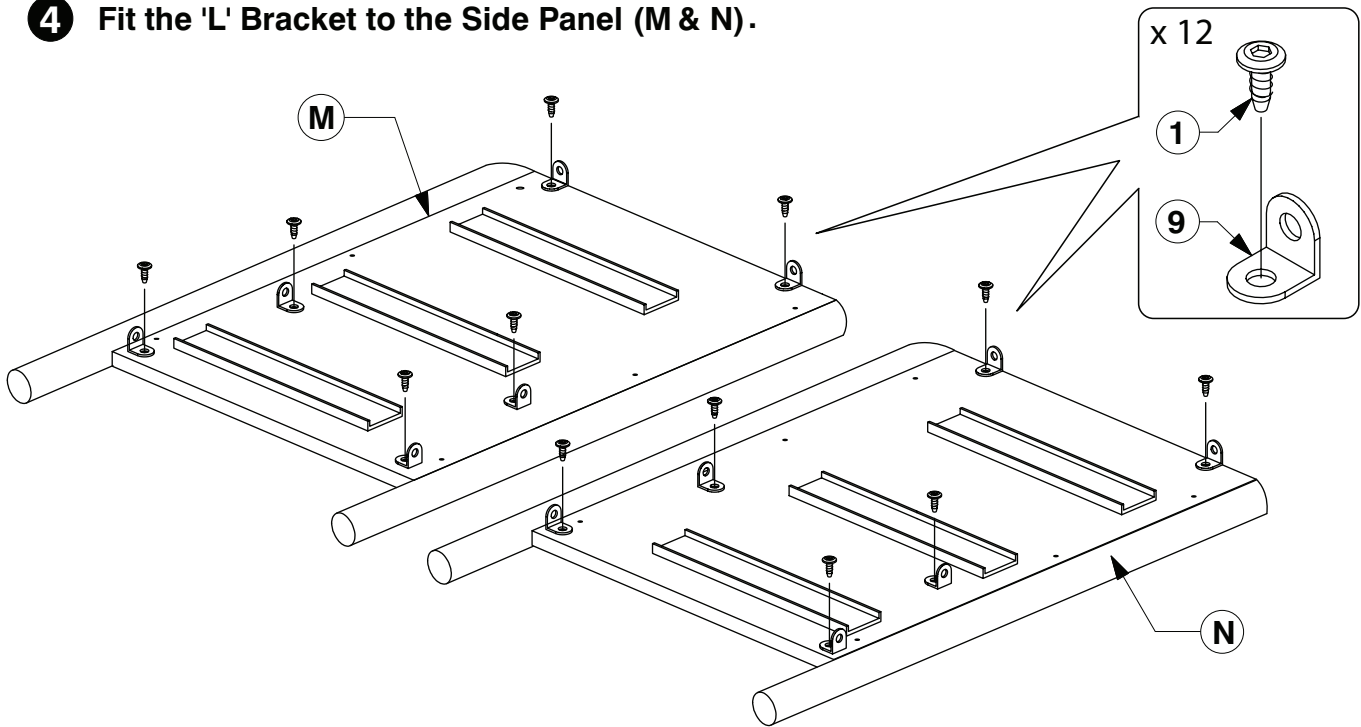
x6

9006 6 Drawer Dresser

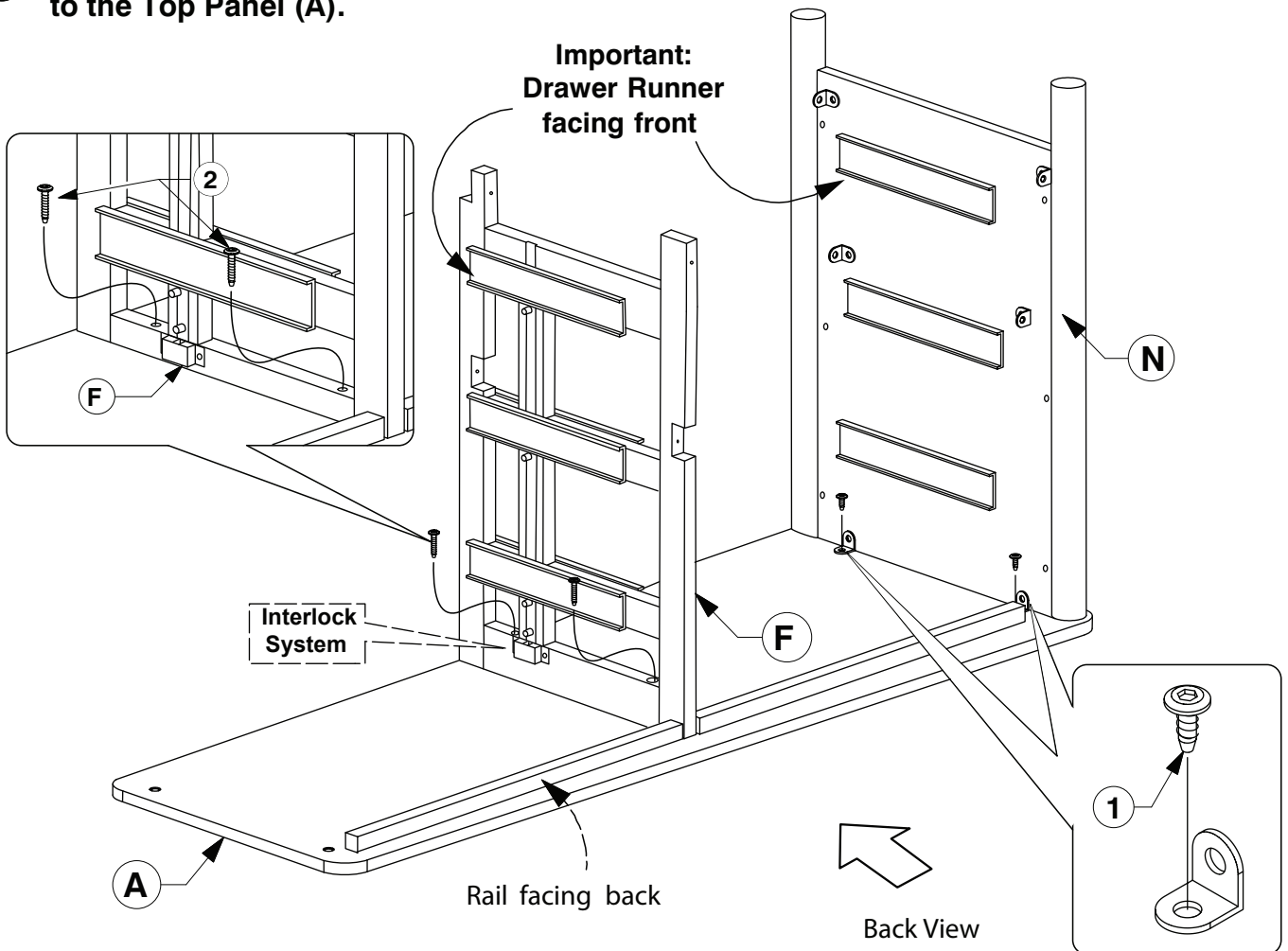
Assembly Instructions

WI-0424

4 Fit the 'L' Bracket to the Side Panel (M & N).



5 Fit the Side Panel- Right Hand (N) & Center Frame (F) to the Top Panel (A).

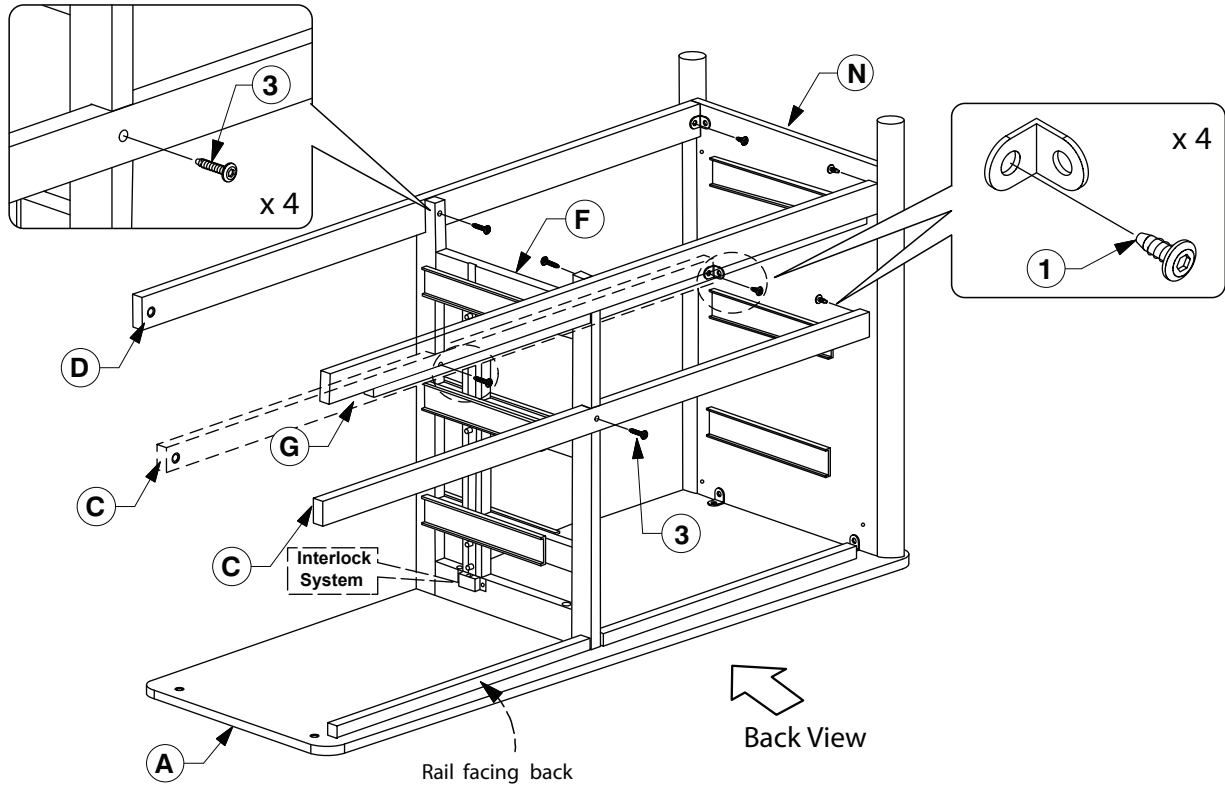


9006 6 Drawer Dresser

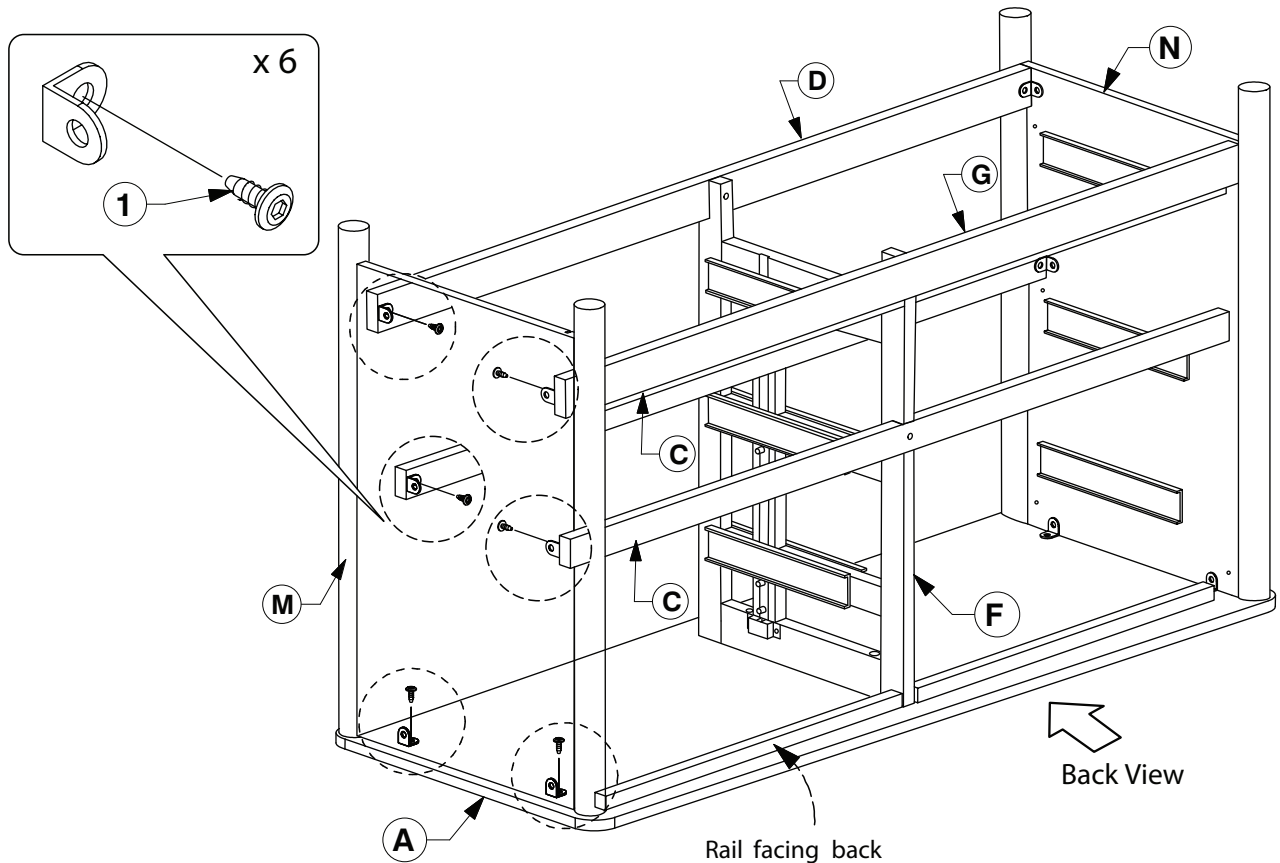
Assembly Instructions

WI-0424

- 6** Fit the Upper Support Bar (C) and Bottom Front & Rear Support Bars (D & G) to the Side Panel-Right Hand (N) & Center Frame (F) as shown.



- 7** Fit the other side of Side Panel- Left Hand (M) to the Top Panel (A) & Support Bar Upper & Bottom (C & D & G).

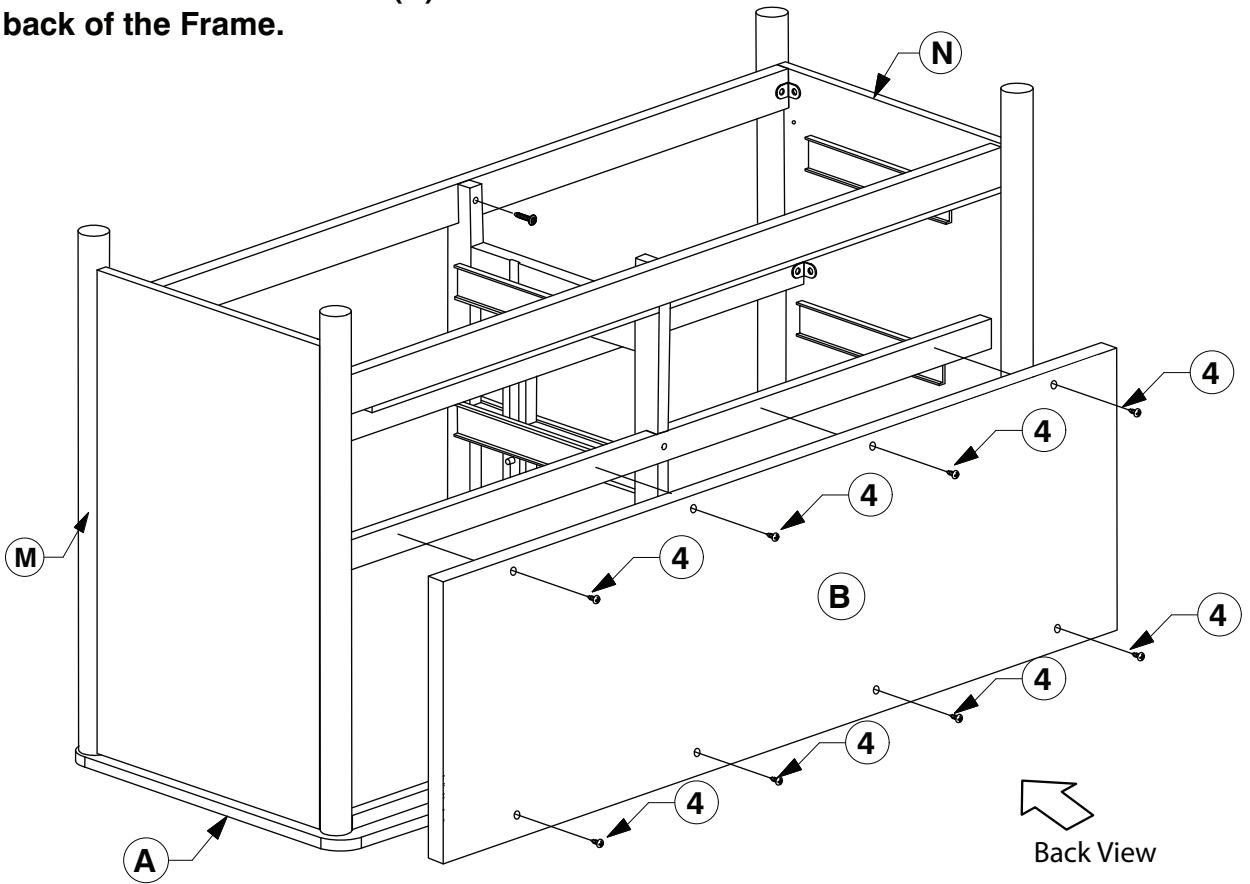


9006 6 Drawer Dresser

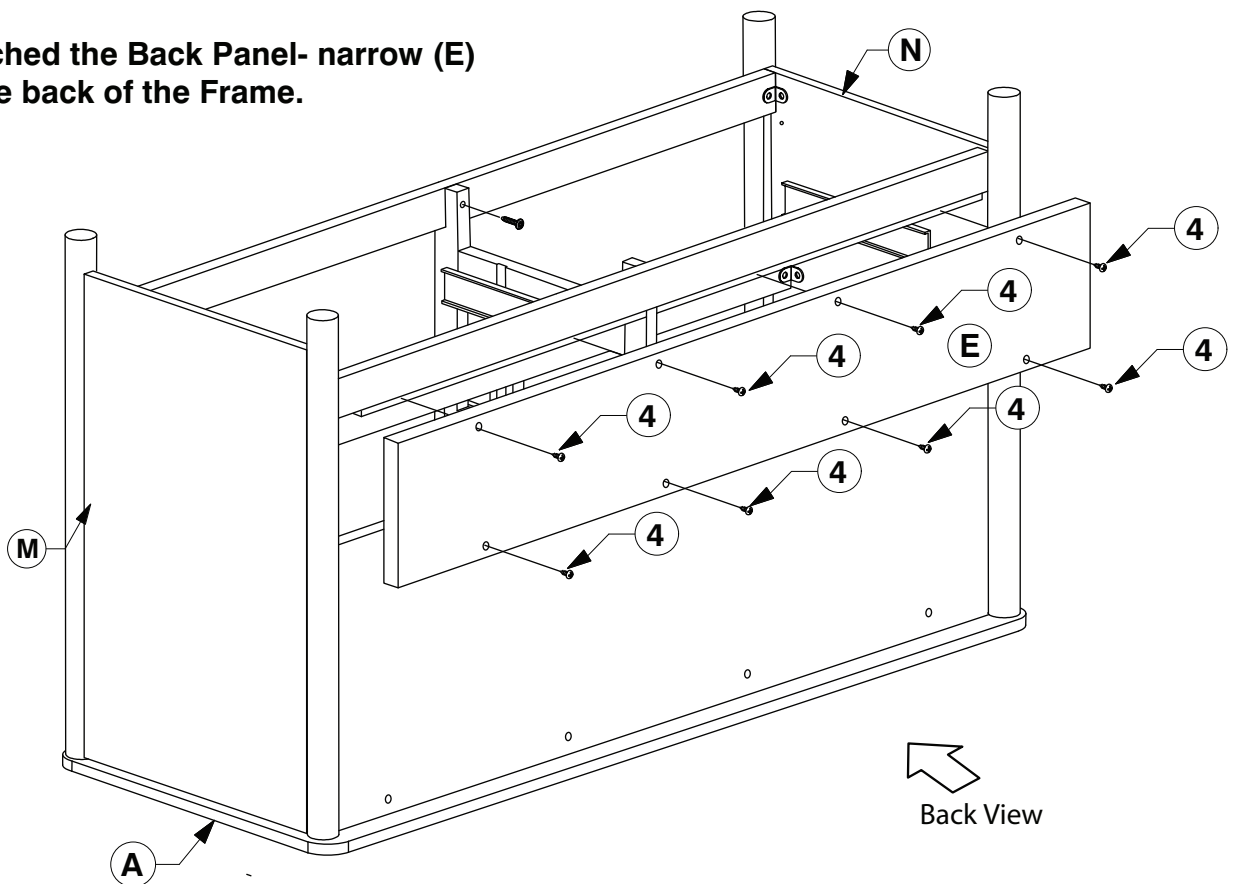
Assembly Instructions

WI-0424

- 8** Attached the Back Panel- wider (B) to the back of the Frame.



- 9** Attached the Back Panel- narrow (E) to the back of the Frame.



9006 6 Drawer Dresser

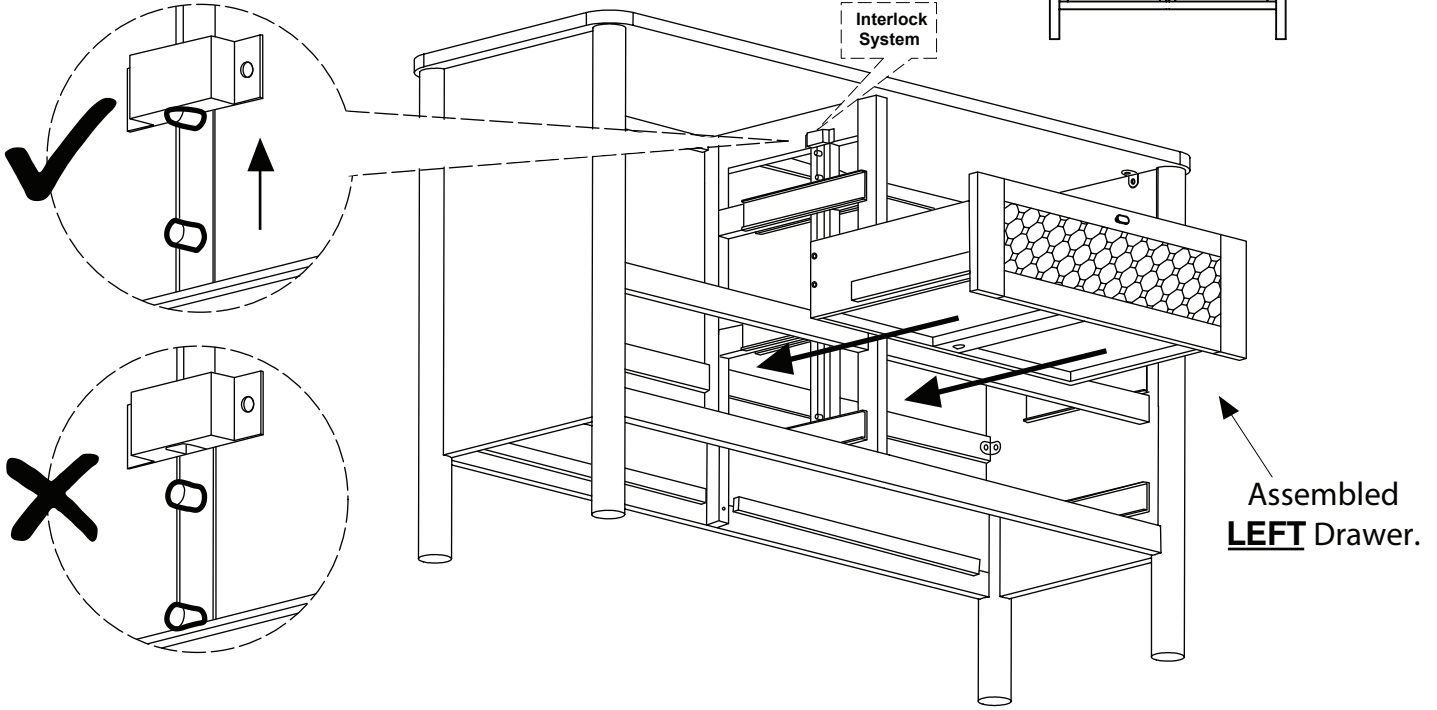
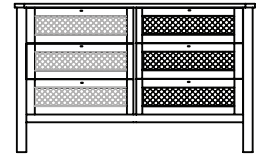
Assembly Instructions

WI-0424

10 Install the Drawers.

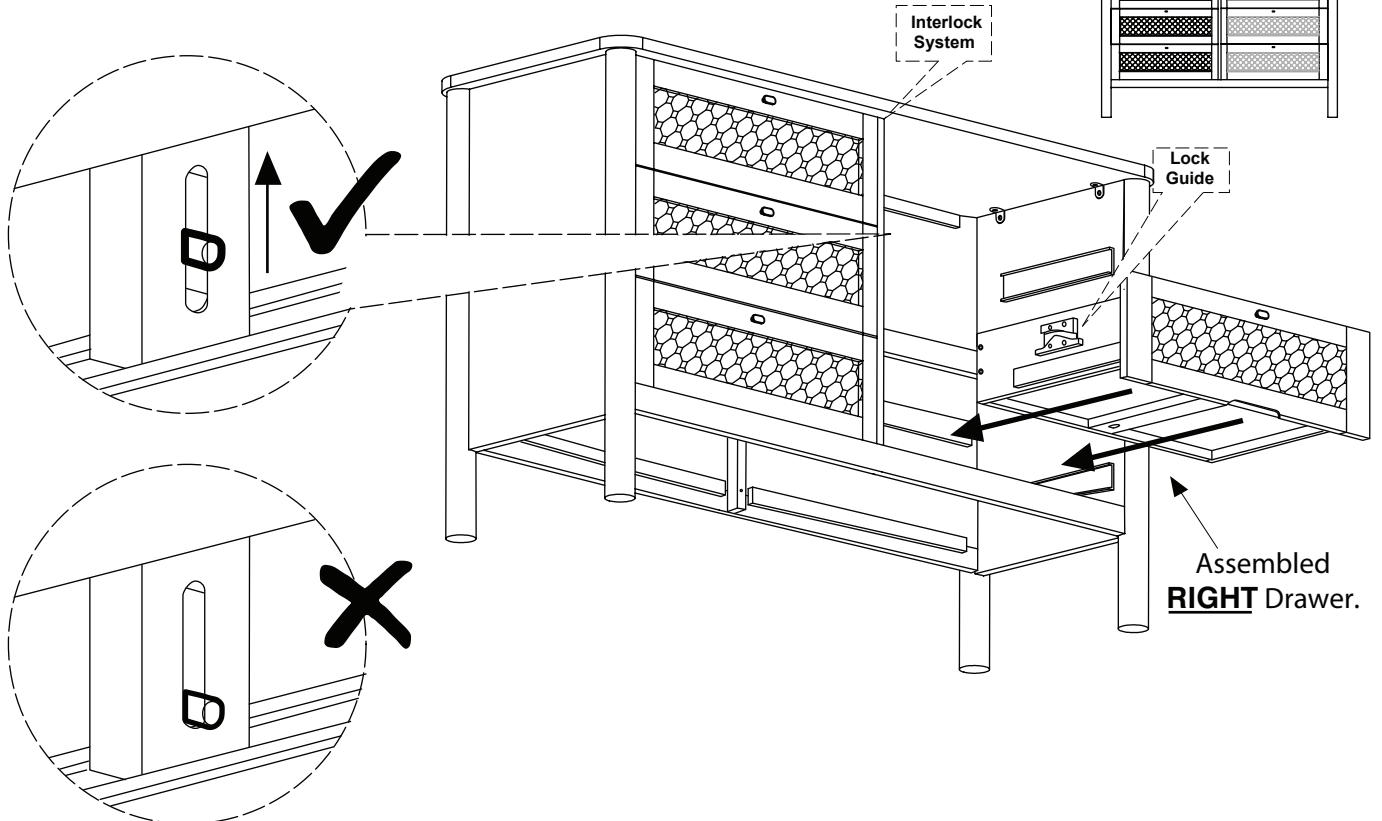
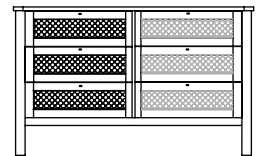
- Push the Interlock bar **upwards** before inserting the drawers.

LEFT



- Push the Interlock bar **upwards** before inserting the drawers.

RIGHT



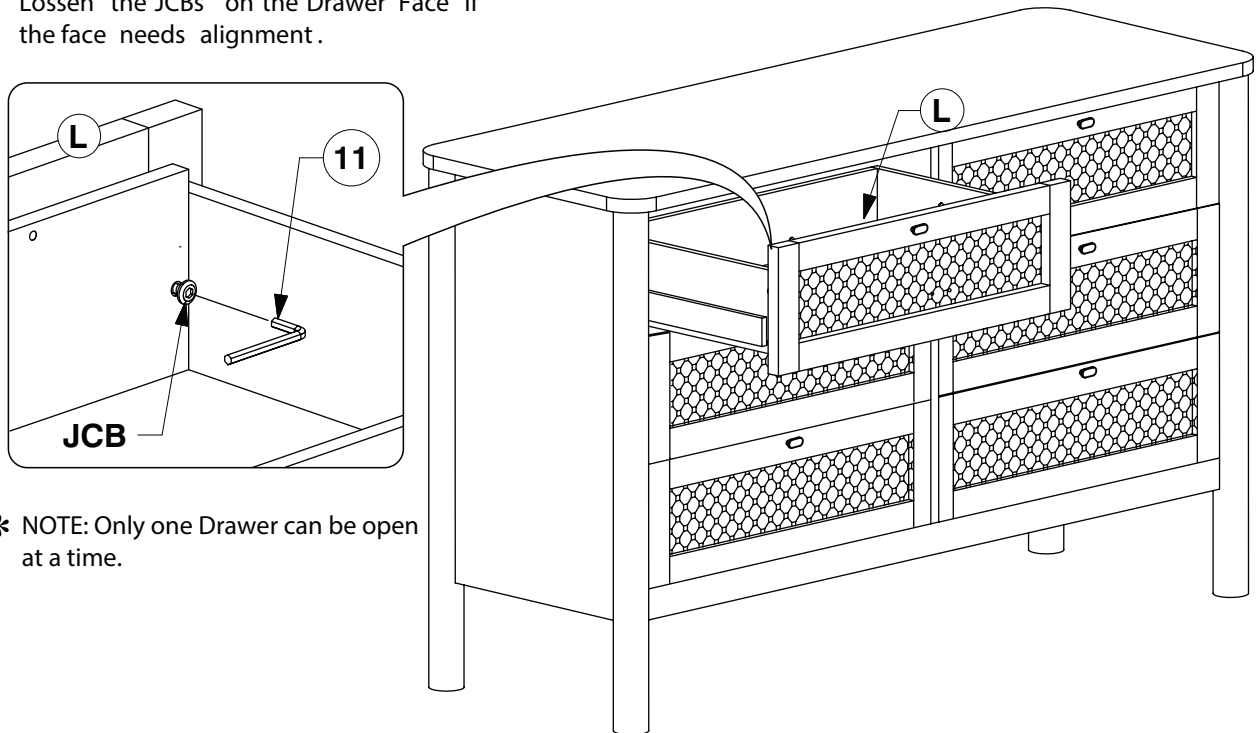
9006 6 Drawer Dresser

Assembly Instructions

WI-0924

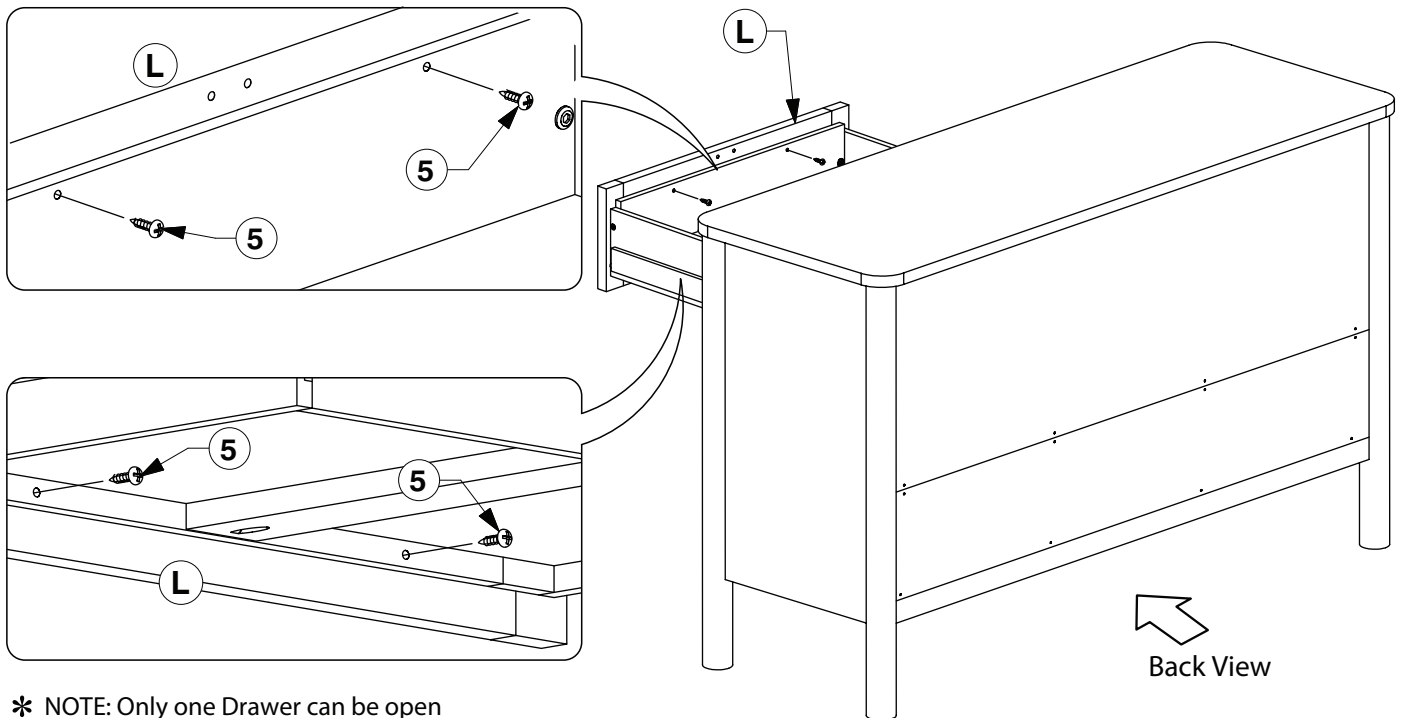
11 Adjust the Drawer Face (L).

- * NOTE: Before fitting the Wood Screws .
Losen the JCBs on the Drawer Face if
the face needs alignment.



- * NOTE: Only one Drawer can be open
at a time.

12 After the Drawer Faces (L) are aligned, secure with wood screws.



- * NOTE: Only one Drawer can be open
at a time.

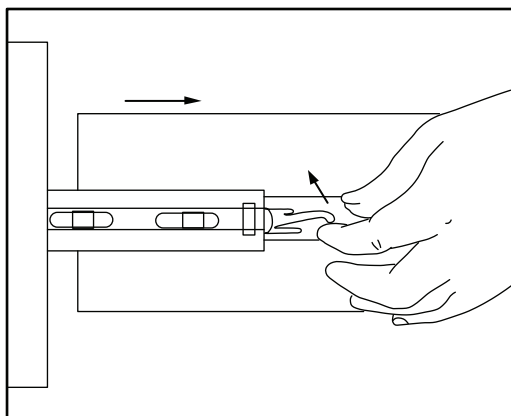
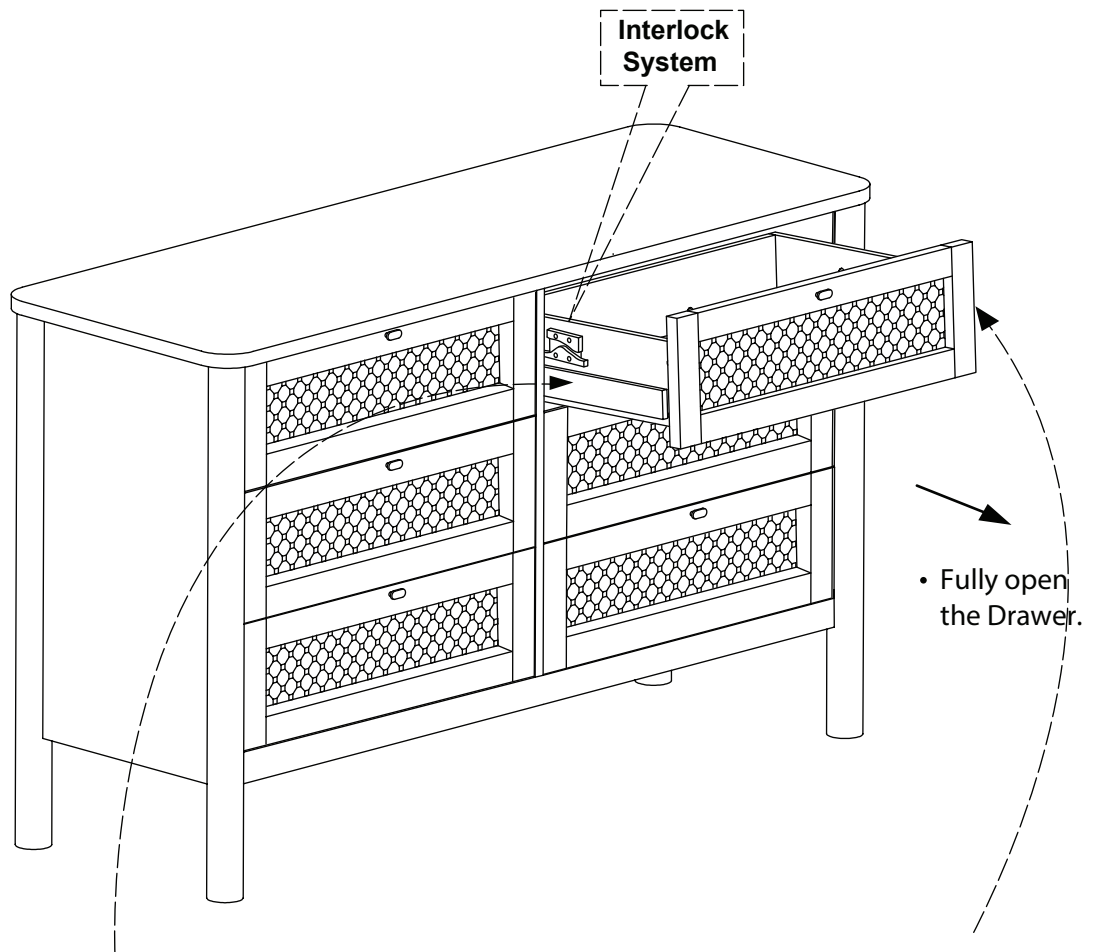
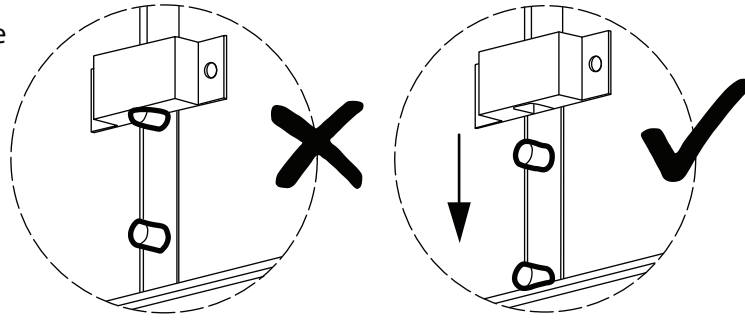
9006 6 Drawer Dresser

Assembly Instructions

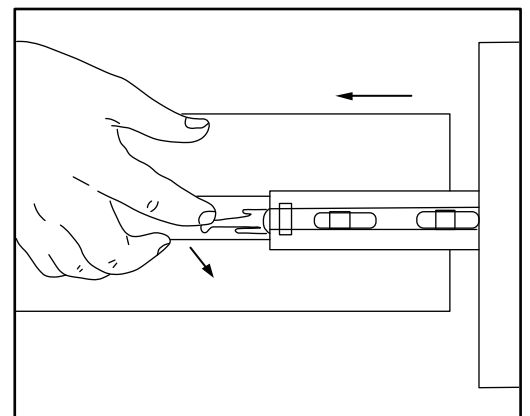
WI-0424

13 Remove the Drawers.

- After removing the top drawer, push the interlock bar **down**. Then remove the lower drawers.



- Lift the **LEFT** side clip **up**.



- Push the **RIGHT** side clip **down**.