

# Use & Care Manual

## Marble Glow Table Lamp



Thank you for shopping, we really appreciate your business. Our goal is to provide an excellent customer service before, during and after delivery. We've included a guide on how to install this lamp, should you require additional assistance please feel free to email us and one of our customer service reps will reach out to assist you.

## ! WARNING!

1. Do not use the power supply beyond the specified range (110-220V).
2. Avoid scratching the surface and wires of the lamp during installation.
3. Do not install the lamp outdoors.
4. The lamp should not be close to corrosive chemical objects or gases.
5. It should not be washed with water. It can only be wiped with a clean soft cloth.

# ASSEMBLY INSTRUCTIONS

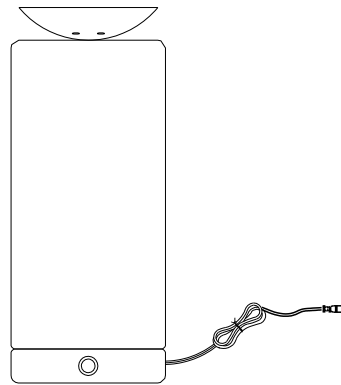
1. Simply remove the lamp from packaging.
2. Please check to see that all hardware and parts are present prior to start of assembly.
3. Please follow attached instructions in the same sequence as numbered to assure fast & easy assembly

**ASSEMBLY TIME**

**5 MINUTES**

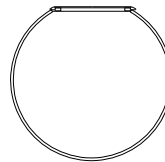
## PARTS IDENTIFICATION

**A LAMP BODY**



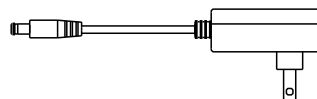
**1PC**

**B GLASS SHADE**



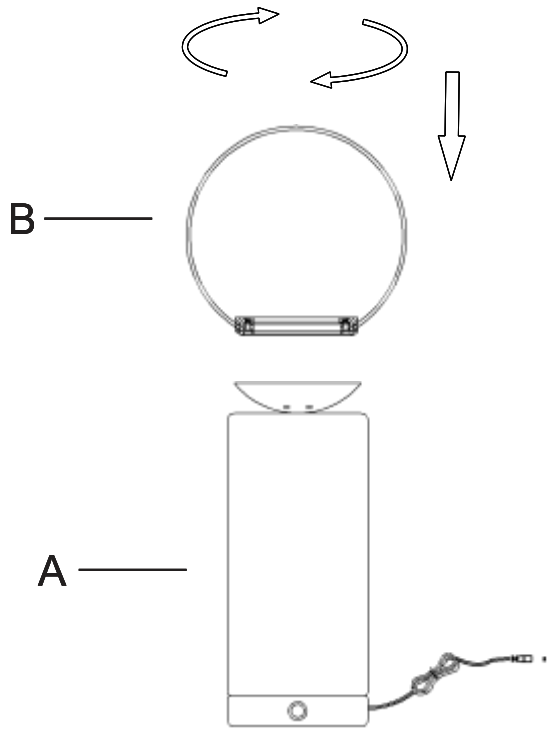
**1PC**

**C LED DRIVER**

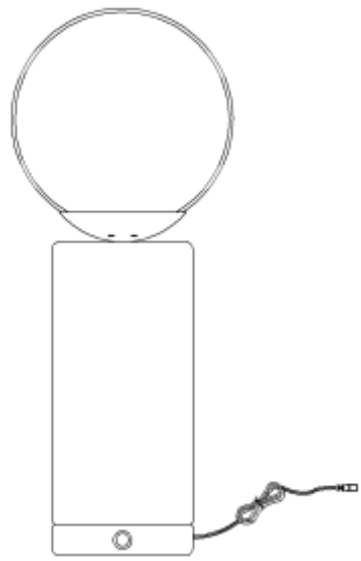


**1PC**

**STEP 1**



**STEP 2**



**STEP 3**

