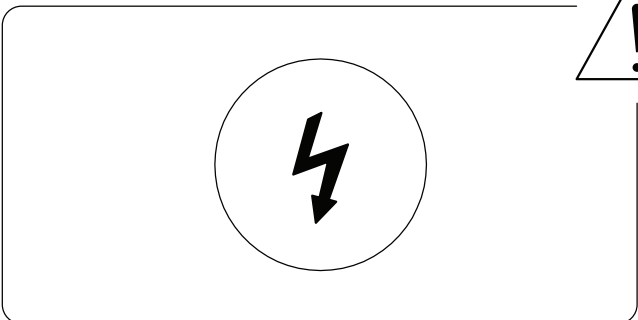
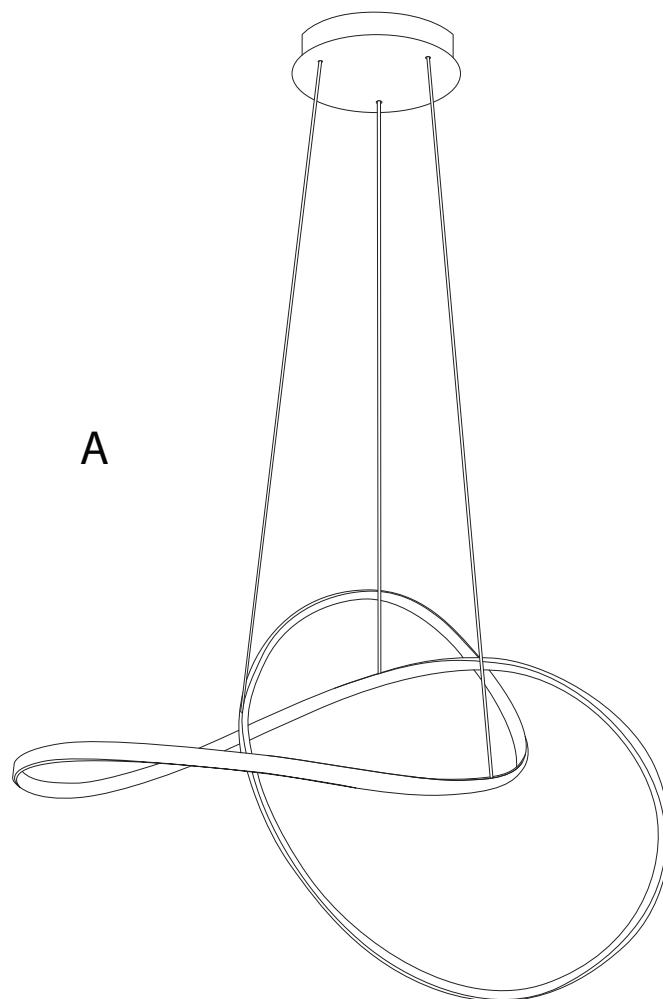


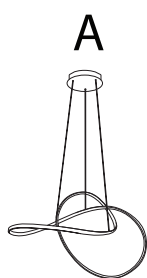
20'



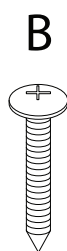
1



A



x 1

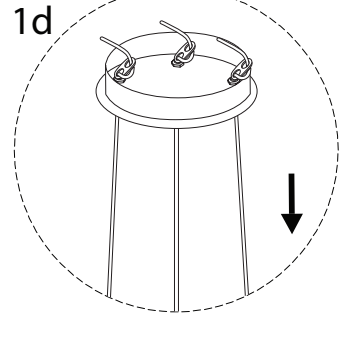
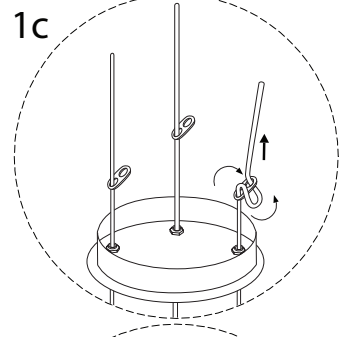
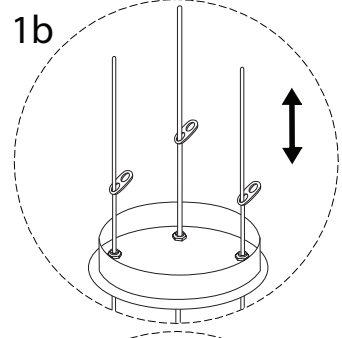
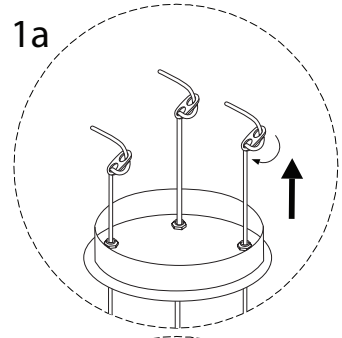
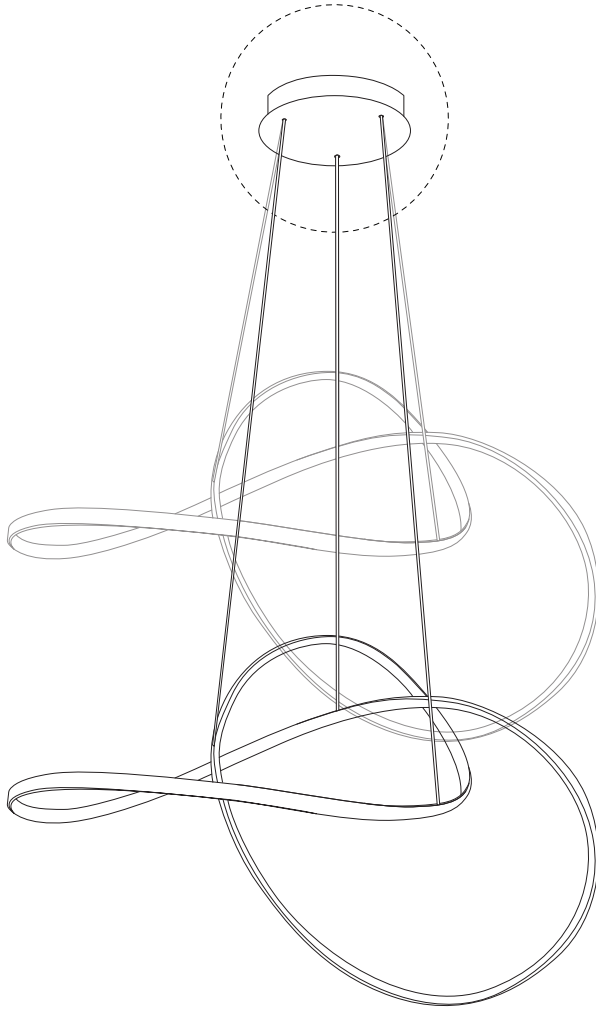


x 2

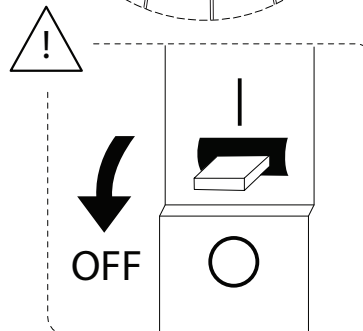
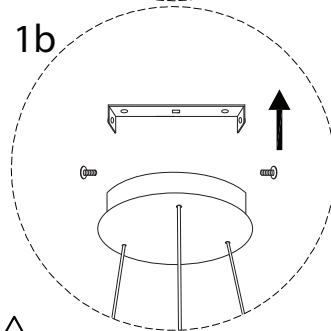
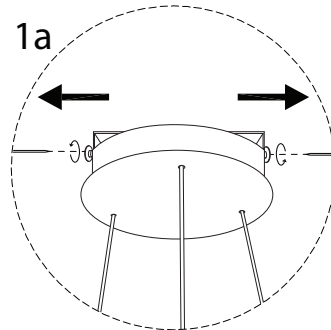
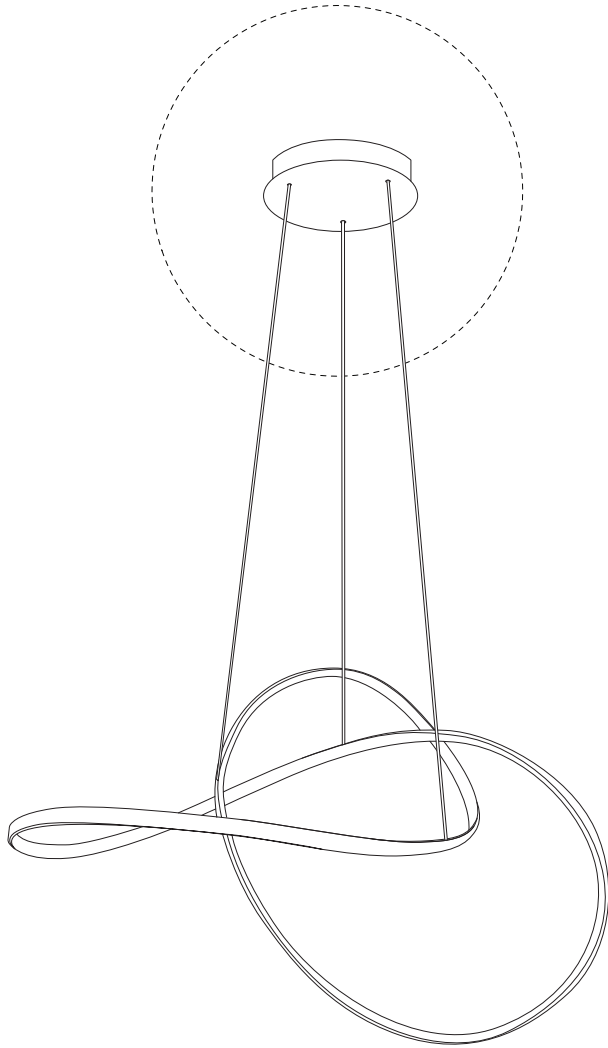


x 2

!



1



2

