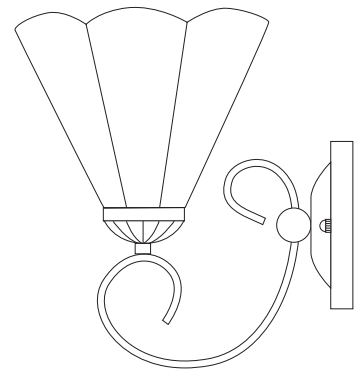


Instruction manual

Installation And Safety Instructions



STEP 3: Take your fixture wire(s) from group A and place evenly against the black wire from the outlet box. Do NOT twist wires together before using wire connectors

STEP 4: Fit a wire connector over the wires and screw the connector clockwise until you feel firmness.

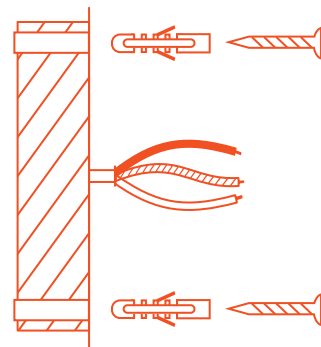
STEP 5: Try gently to pull the connector off the wires. If you can pull the connector off, carefully re-do steps 3 and 4 as above, and check again for a firm connection.

STEP 6: Connect the fixture wire from group B to the white wire from the outlet box in the same manner. Make sure no bare wires can be seen outside wire connectors.

CLEANING

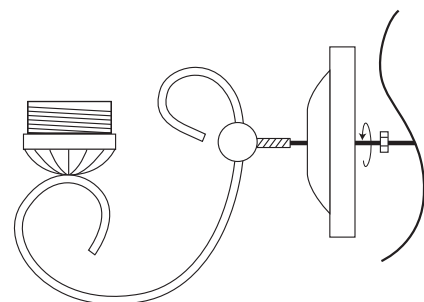
To clean, wipe fixture with a soft cloth. Clean glass with a mild soap. Do not use abrasive materials such as scouring pads or powders, steel wool or abrasive paper.

2. Push the plastic adhesive expanding bolt into the hole (figure 2);



(figure 2)

3. Connect lamp arm and the chassis in series with the lamp cap (with line), and put the wire in a smaller angle (figure 3);



(figure 3)

FOR YOUR SAFETY

WARNING: BE SURE THE ELECTRICITY TO THE WIRES YOU ARE WORKING ON IS SHUT OFF; EITHER THE FUSE IS REMOVED OR THE CIRCUIT BREAKER IS SHUT OFF

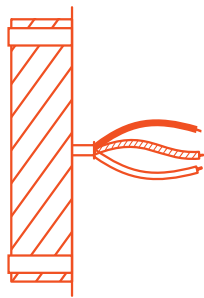
GENERAL

You don't need special tools to install this fixture. Be sure to follow the steps in the order given. Under no circumstances should a fixture be hung on house electrical wires, nor should a swag type fixture be installed on a ceiling, which contains a radiant type heating system. Read instructions carefully. If you are unclear as to how to proceed, consult a qualified electrician

NOTE: Proper wiring is essential for the safe operation of this fixture.

INSTALLATION

1. Mark the location on the wall with the hanging plate as a reference, and then drill holes on the wall (figure 1);

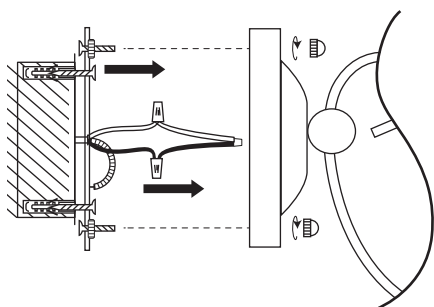


(figure 1)

ORDERING PARTS

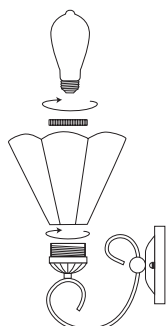
Keep this sheet for future reference, and in case you need to order replacement parts. All parts for this fixture can be ordered from place of purchase. Be sure to use exact wording from illustration when ordering parts.

4. Connect the wires with the wiring connectors and then secure the chassis. After aligning the hanging plate with the expanding bolt, place the gasket and tighten the screws (figure 4);



(figure 4)

5. Lock the lamp cover together with lamp cap with camping ring (figure 5);



(figure 5)

Install the bulb after adjusting the lamp to the desired angle (E27);

Note: if the wall is not reserved with the ground wire, the lamp does not have ground wire.

GROUNDING INSTRUCTIONS

STEP 1: Insert the green grounding screw into the hole with two raised dimples on the mounting bar. Wrap the ground wire from the fixture (if supplied) around the green grounding screw, then connect it to ground wire from the outlet box (if not fixed on the outlet box) using a wire connector (not supplied). If ground wire from the fixture is not supplied, wrap the ground wire (if not fixed on the outlet box) from the outlet box around the green grounding screw and tighten it.

NEVER CONNECT GROUND WIRE TO BLACK OR WHITE POWER SUPPLY WIRES.

STEP 2: Take note of the color of the wire(s) on your fixture. Identify which group your fixture wire(s) falls into and connect the wires according to the directions below;

GROUP A: Connect to Black	GROUP B: Connect to White
BLACK	WHITE
*PARALLEL WIRE (round & smooth)	PARALLEL WIRE (square & ridged)
WHITE OR GREY TRACER	WHITE OR GREY WITHOUT TRACER
BROWN GOLD OR WITHOUT TRACER	BLACK BROWN, GOLD OR BLACK WITH TRACER

***NOTE:** When parallel wire (SPT-1 & SPT-2) is used, the tracer wire is square shaped or ridged and the less tracer wire is round in shape or smooth (seen best when viewed from wire end.)