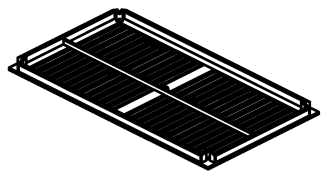


Assembly Instruction

A



1X

B



4X

C



8X

D



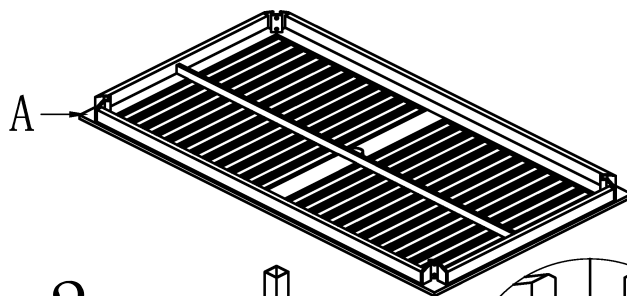
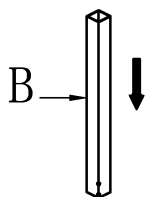
8X

E

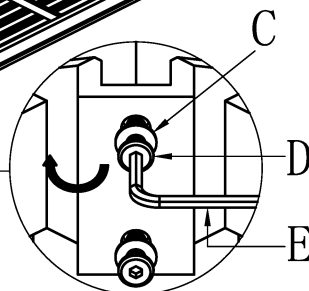
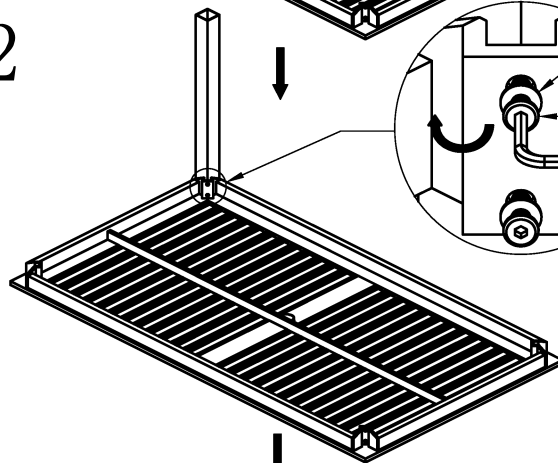


1X

1



2



3

