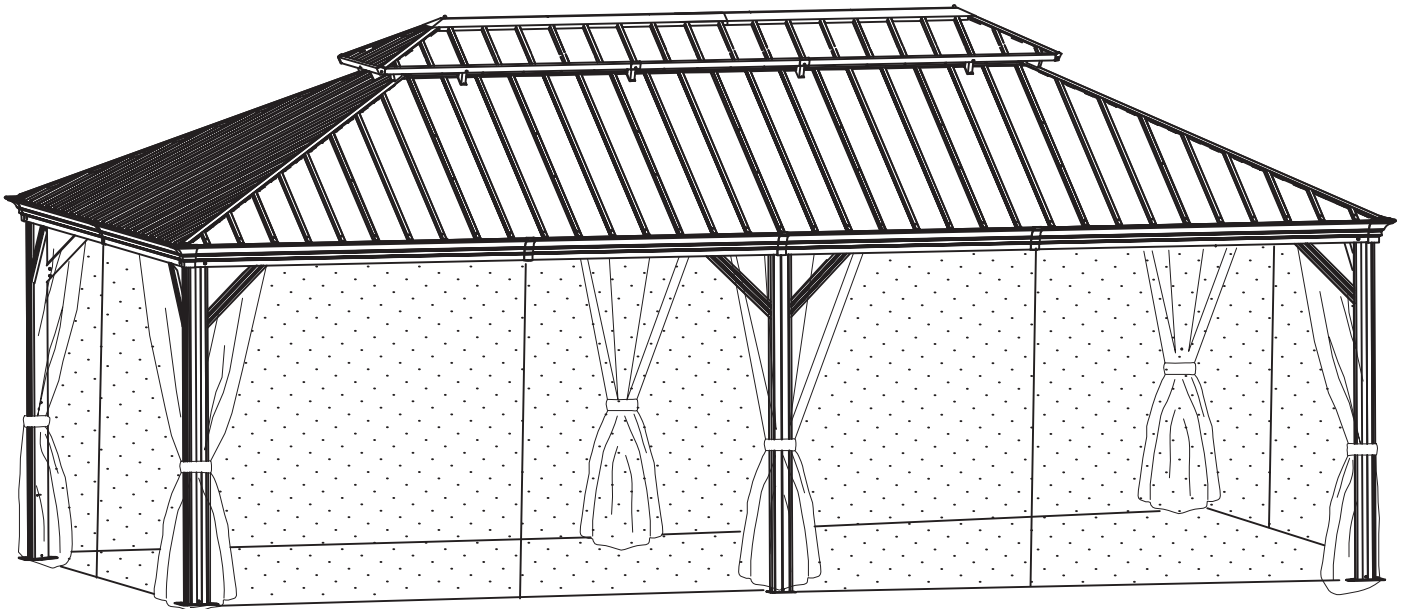


14 x 24FT

□ □ □ □ □ □ □ WQG041TN-1 □ □ □ □ □ □ □



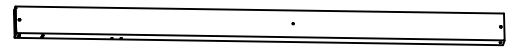
Need at least five people to work together

REQUIRED TOOLS





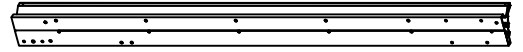
A 4x



A3 2x



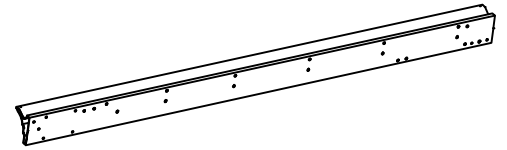
B11 2x



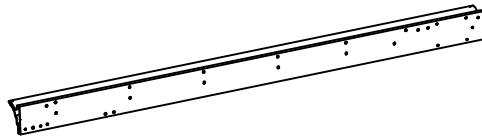
B12 2x



B22 2x



B19 2x



B20 2x



E4 4x



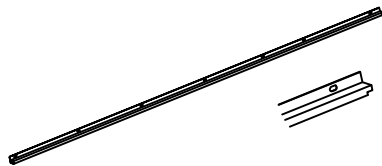
C3 2x



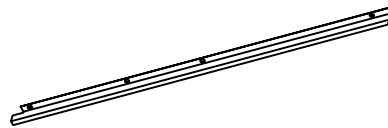
C4 2x



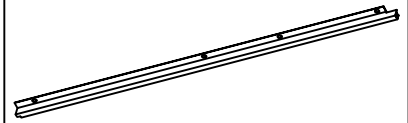
C5 2x



C6 2x



C15 2x



C16 2x



D13 4x



D14 4x



D29 2x



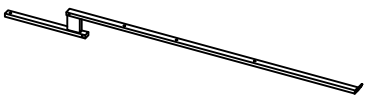
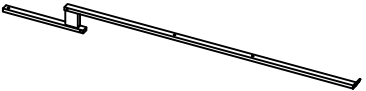
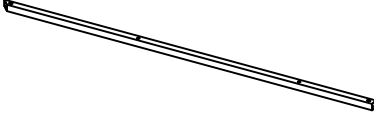
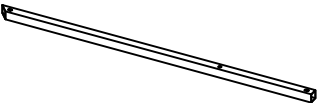
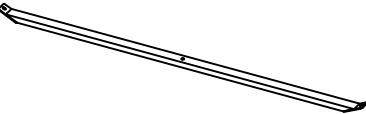
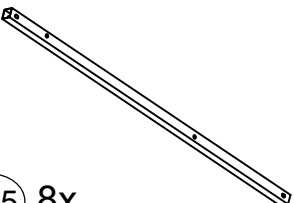
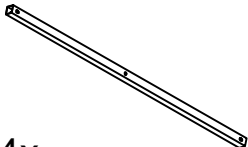

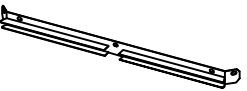

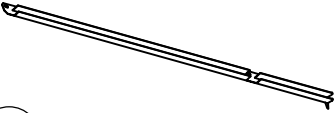
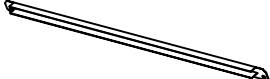




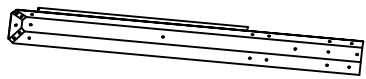
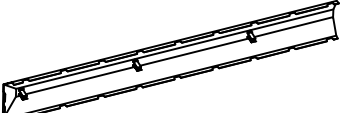

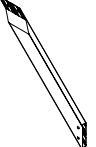
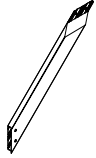
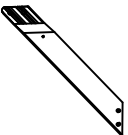
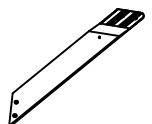
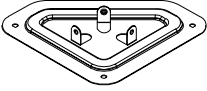
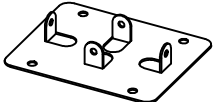
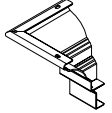
D30 2x



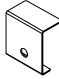
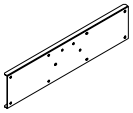
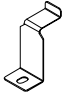
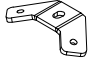
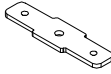
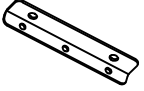
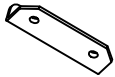
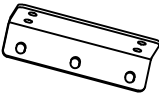
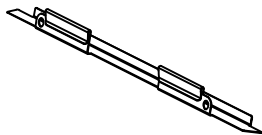
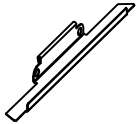
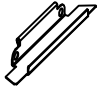
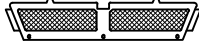




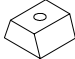
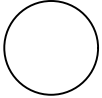
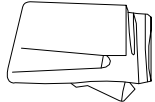
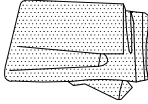
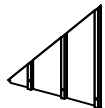
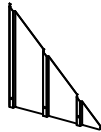


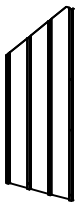

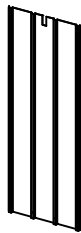





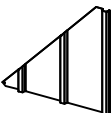

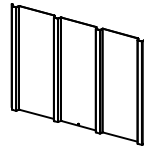





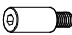


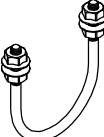

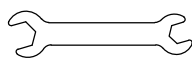

D31 2x



E5 4x

			
E7 8x	E8 2x	F6 8x	
			
F7 8x	F8 4x	F15 8x	
			
F16 4x	F17 2x	I1 2x	
			
I15 2x	I16 2x	I17 2x	
			
G1 2x	G15 2x	G16 2x	
			
G17 2x	L8 2x	M8b 2x	
			
L8b 1x	H 4x	H1 4x	H3 2x
			
H4 2x	J 4x	J1 2x	K 4x

			
K1 6x	N 8x	N1 4x	P 6x
			
V 6x	W 8x	W1 20x	W3 8x
			
W4 12x	W5 4x	Z 72x	Z1 16x
			
Z2 8x	V1 2x	V10a 2x	V10b 2x
			
V10c 2x	U 176x	Y 154x	Za 2x
			
T 4x + 2x	T1 4x + 2x		
			
R1 4x	R2 4x	R3 4x	R4 4x
			
P5 4x	P6 4x	P9 6x	P10 4x

 P11 2x	 P12 2x	 S1 4x	 S2 4x
 S3 10x			
 M6x15 1 480x	 M6x23 2 110x	 ST 4.8x12 4 28x	 5 4x
 M6x47 7 44x	 8 16x	 M6x10 9 16x	 10 20x
 11 1x	 4mm 12 2x	 14 1x	 M5x15 15 48x

<1>

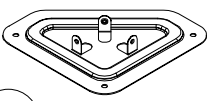
A 4x



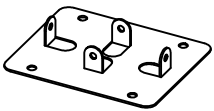
A3 2x



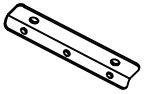
J 4x



J1 2x



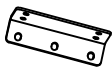
W3 8x



W4 12x



W5 4x



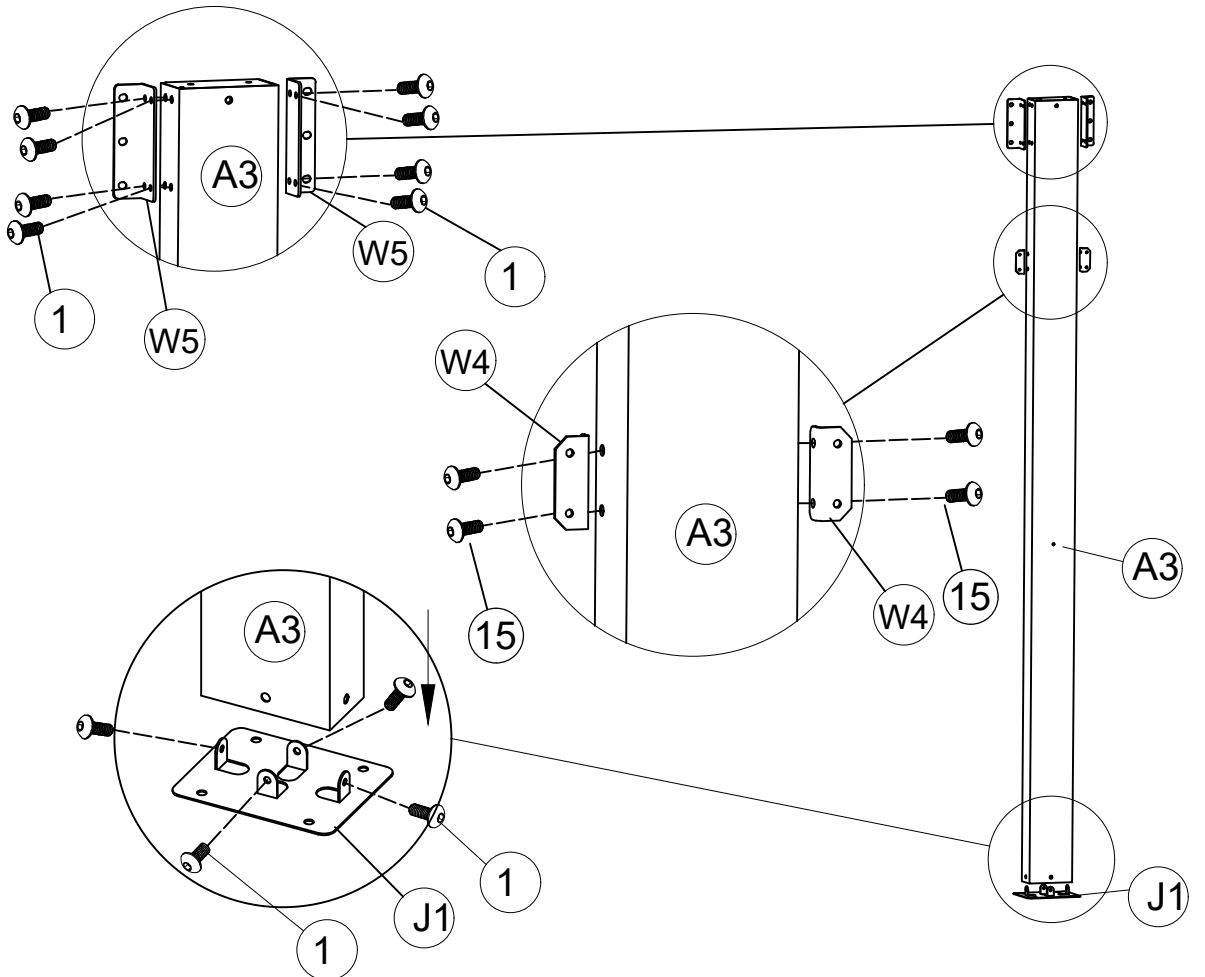
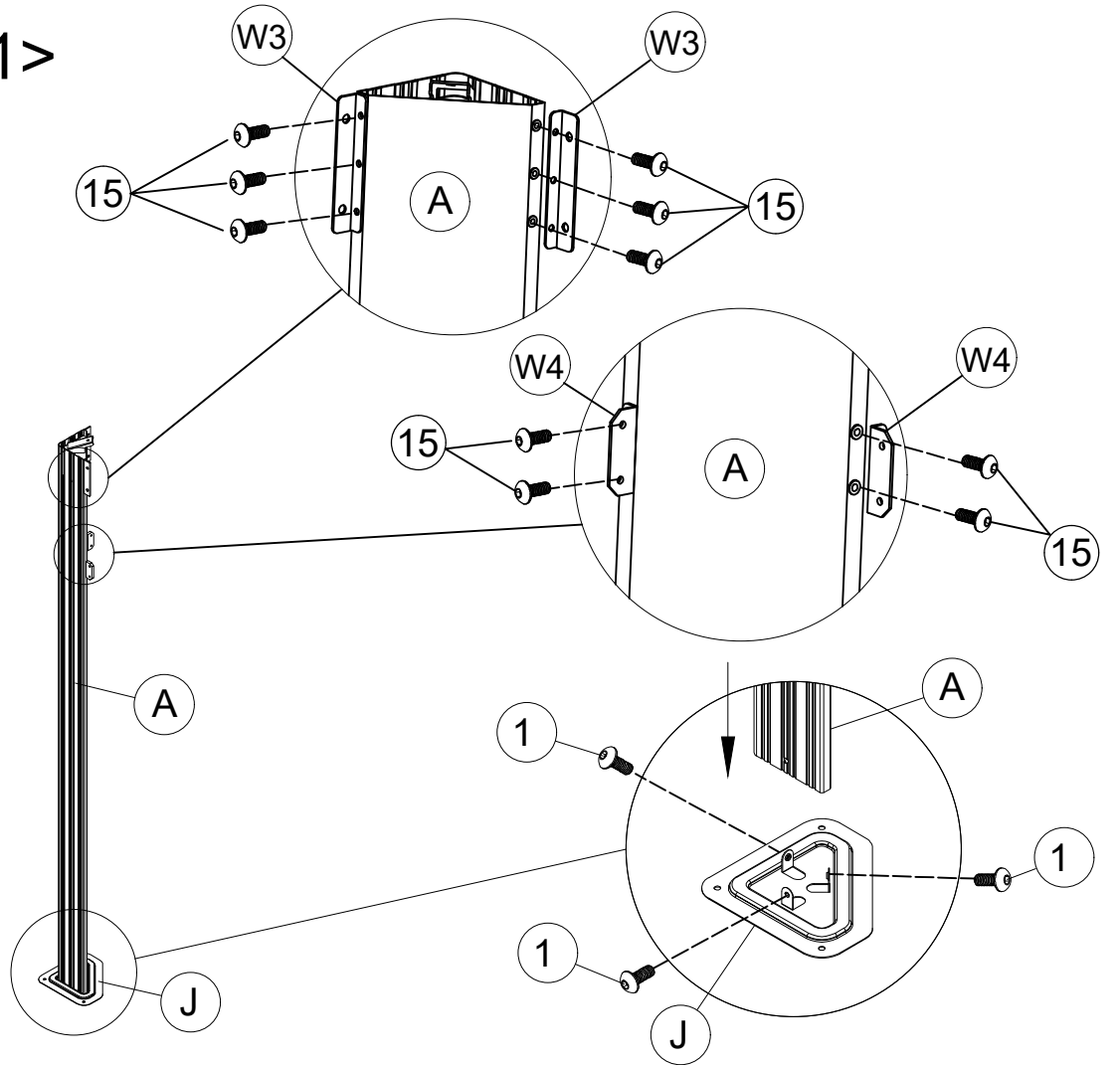
1 36x
M6x15



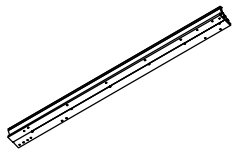
15 48x
M5x15



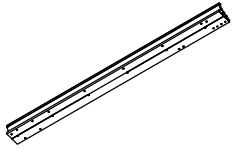
6



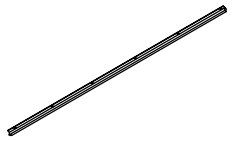
<2>



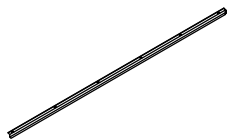
B11 2x



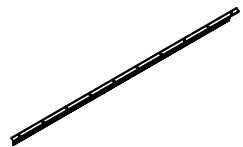
B12 2x



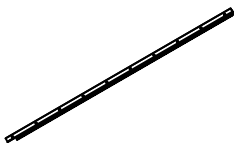
C3 2x



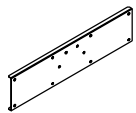
C4 2x



D13 2x



D14 2x

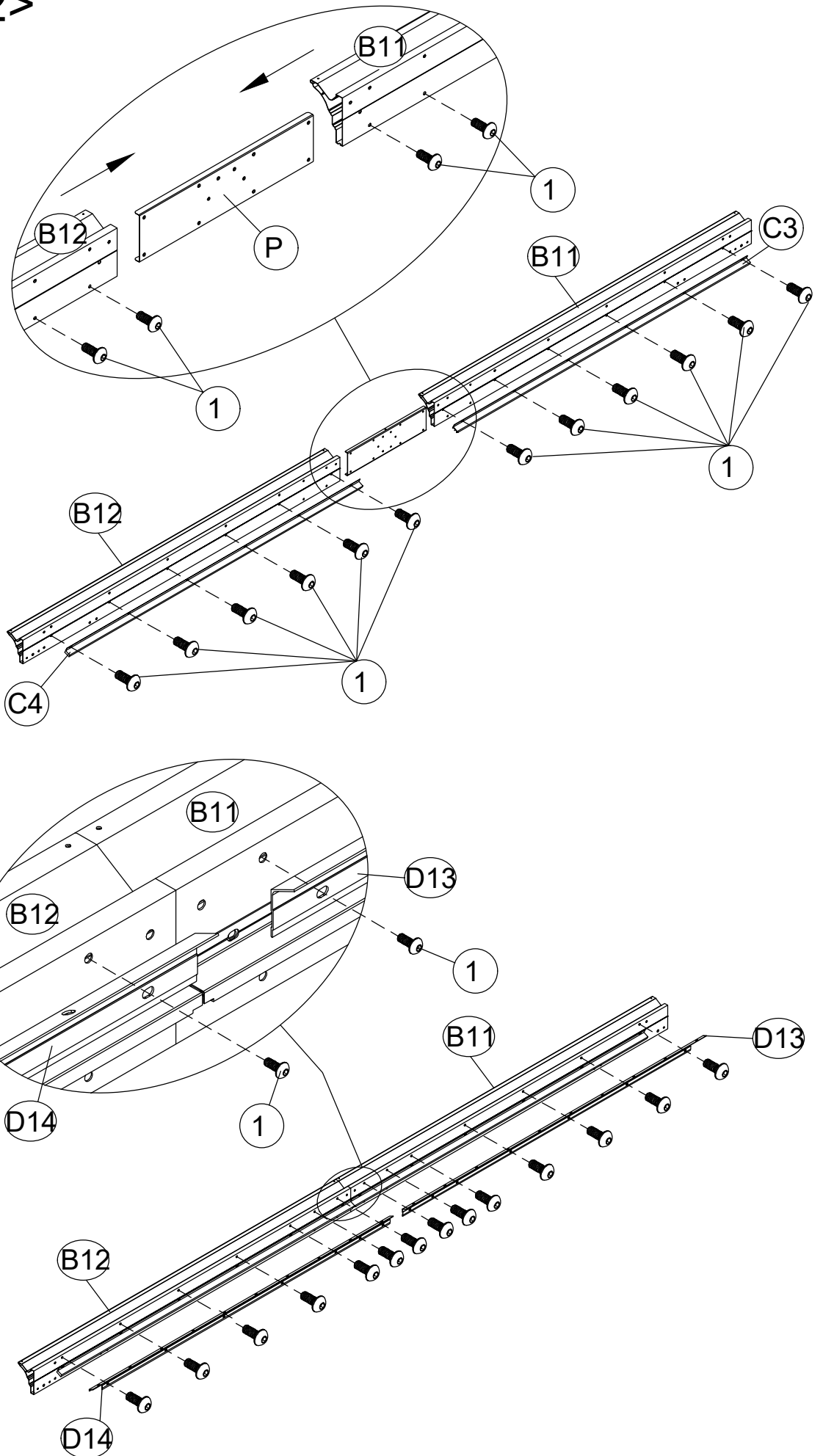


P 2x

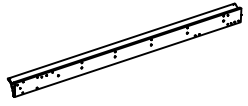


1 60x M6x15

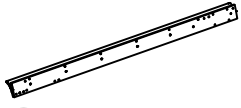
7



<3>



B19 2x



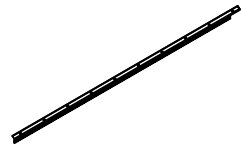
B20 2x



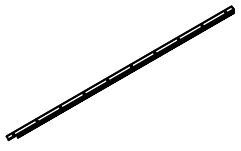
C5 2x



C6 2x



D13 2x

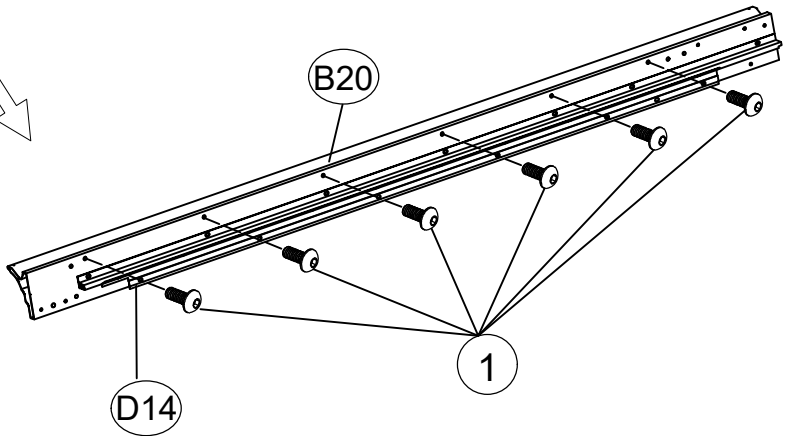
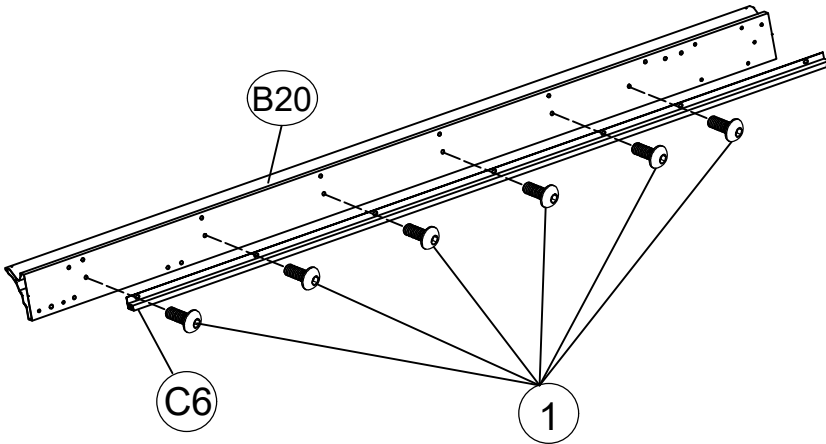
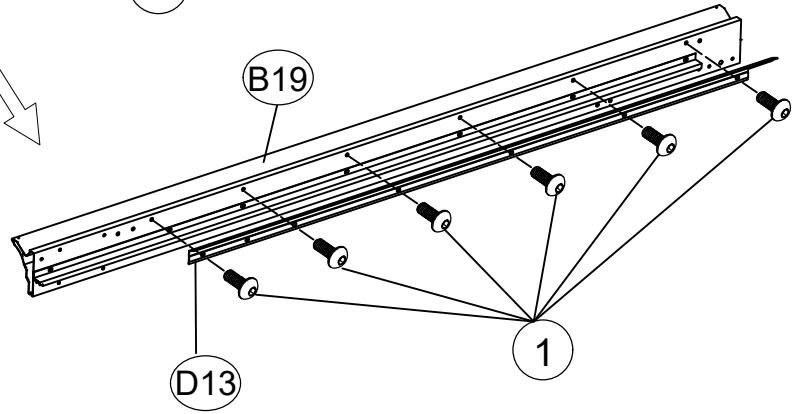
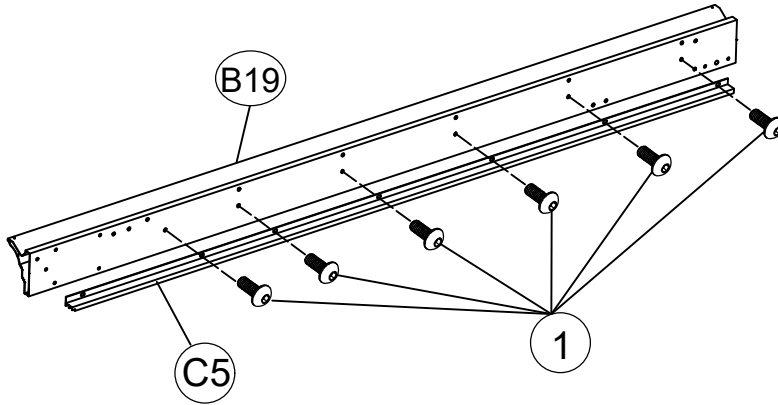


D14 2x

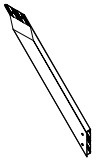


M6x15

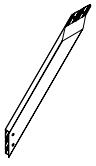
1 48x



<4>



H 4x



H1 4x



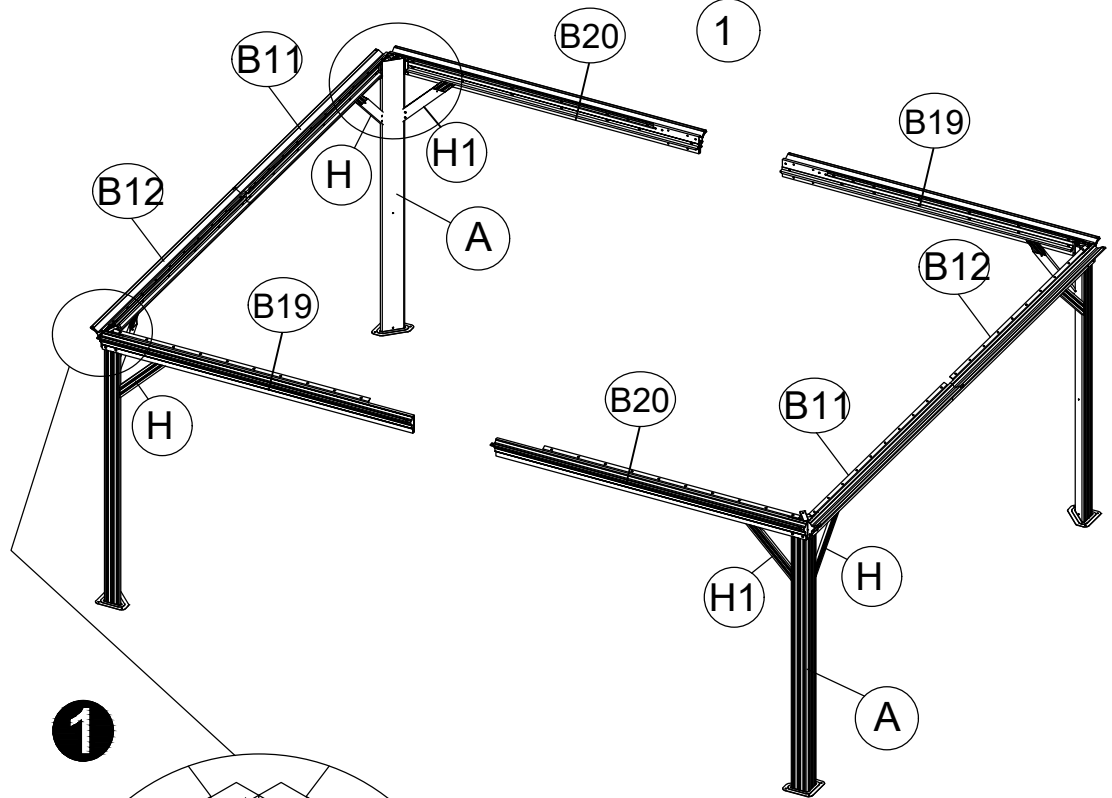
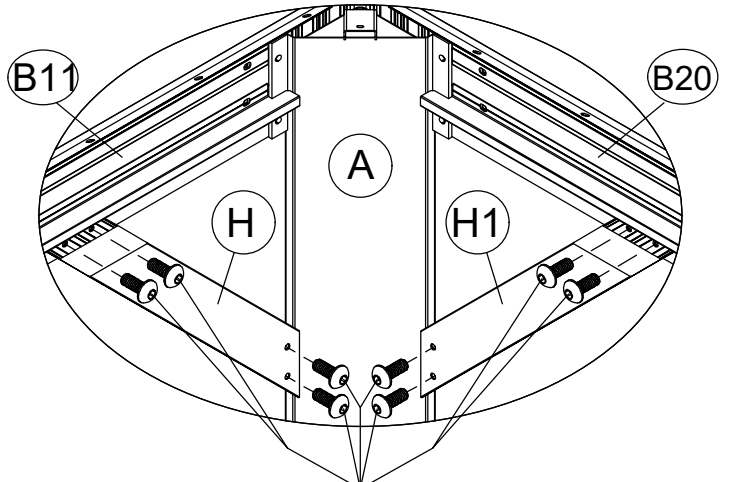
M6x15

1 48x



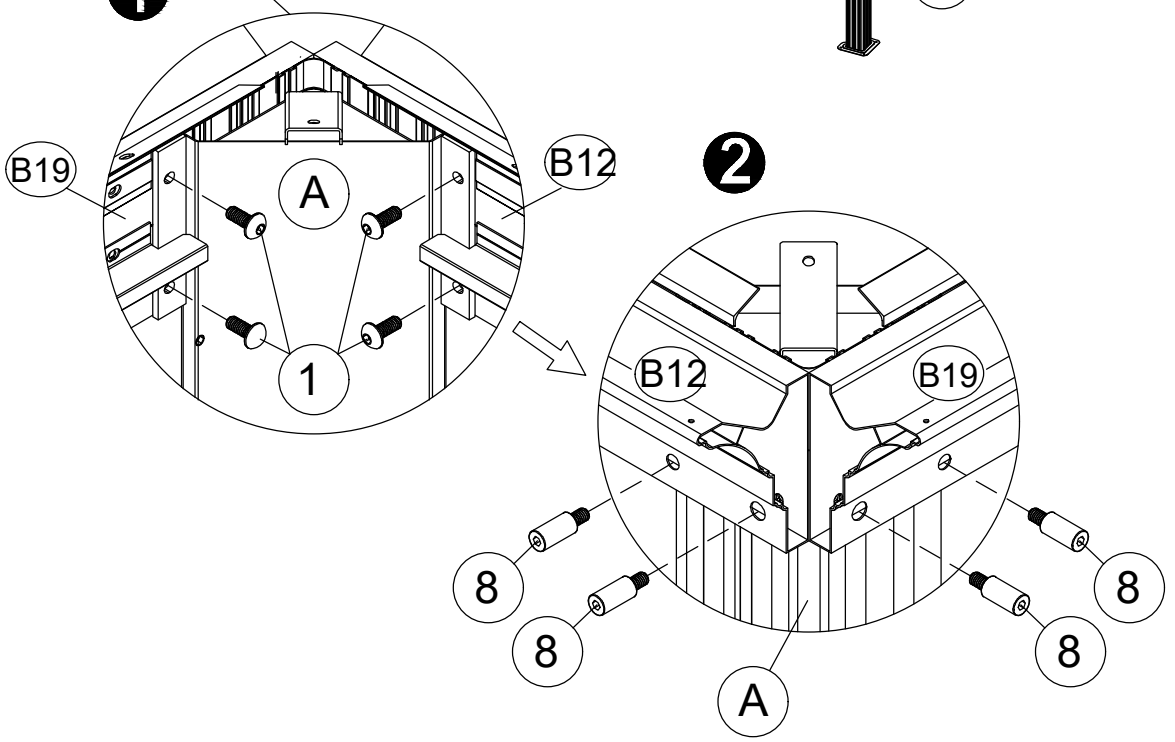
8 16x

3

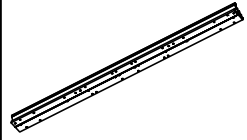


1

2



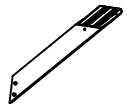
9



B22 2x



H3 2x

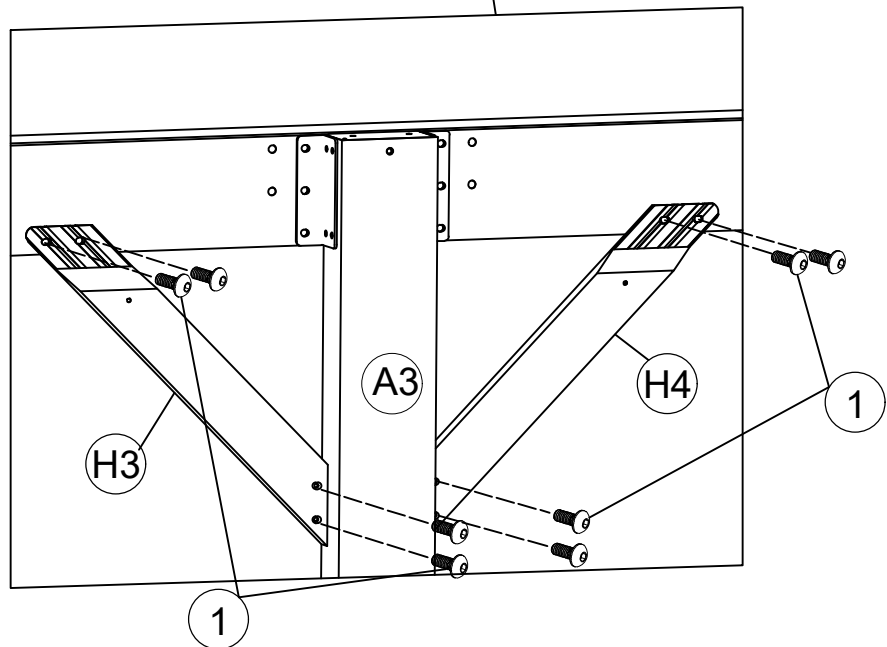
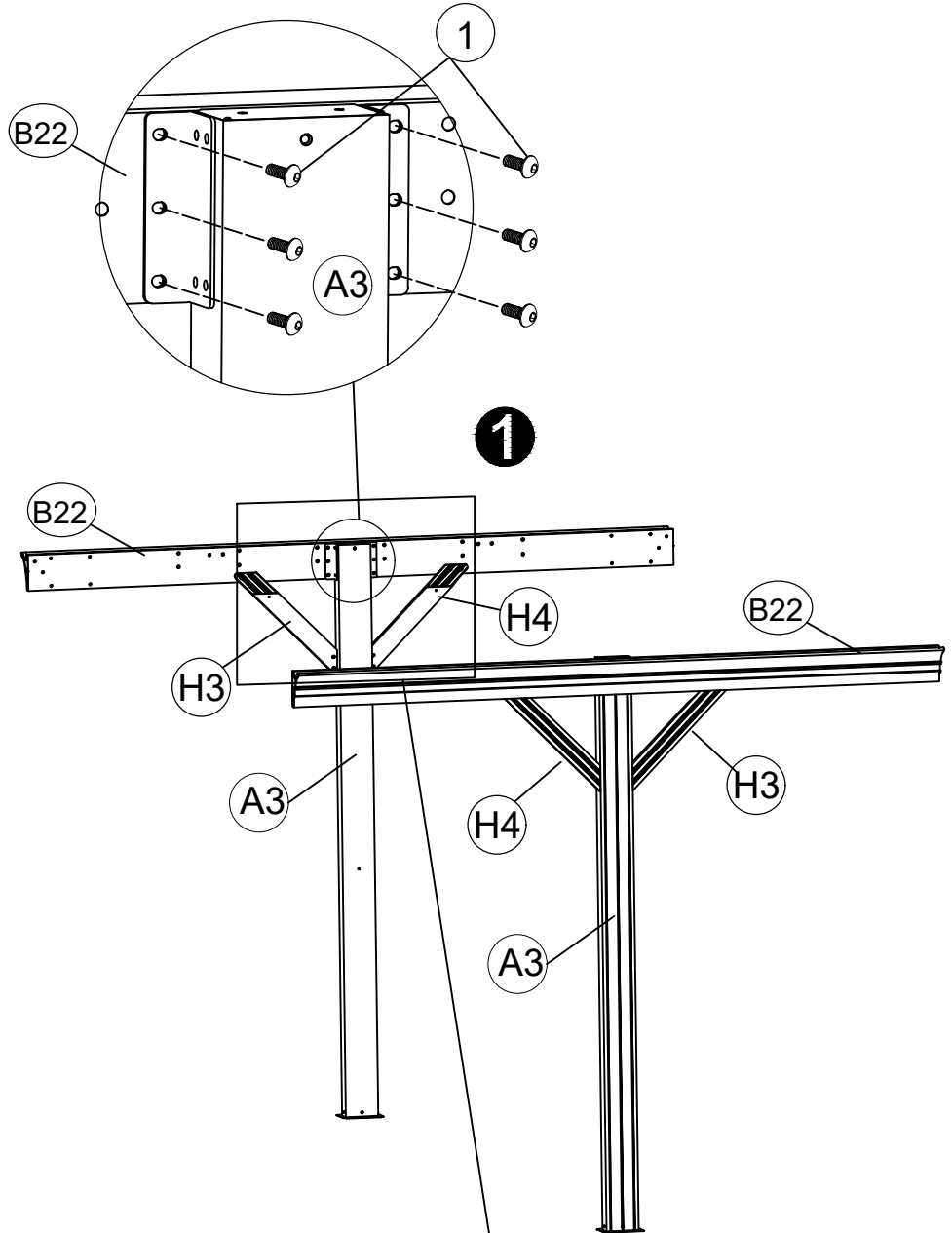


H4 2x



1 28x M6x15

<5>



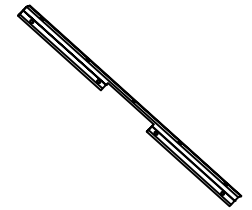
<6>



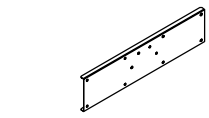
C15 2x



C16 2x



D31 2x

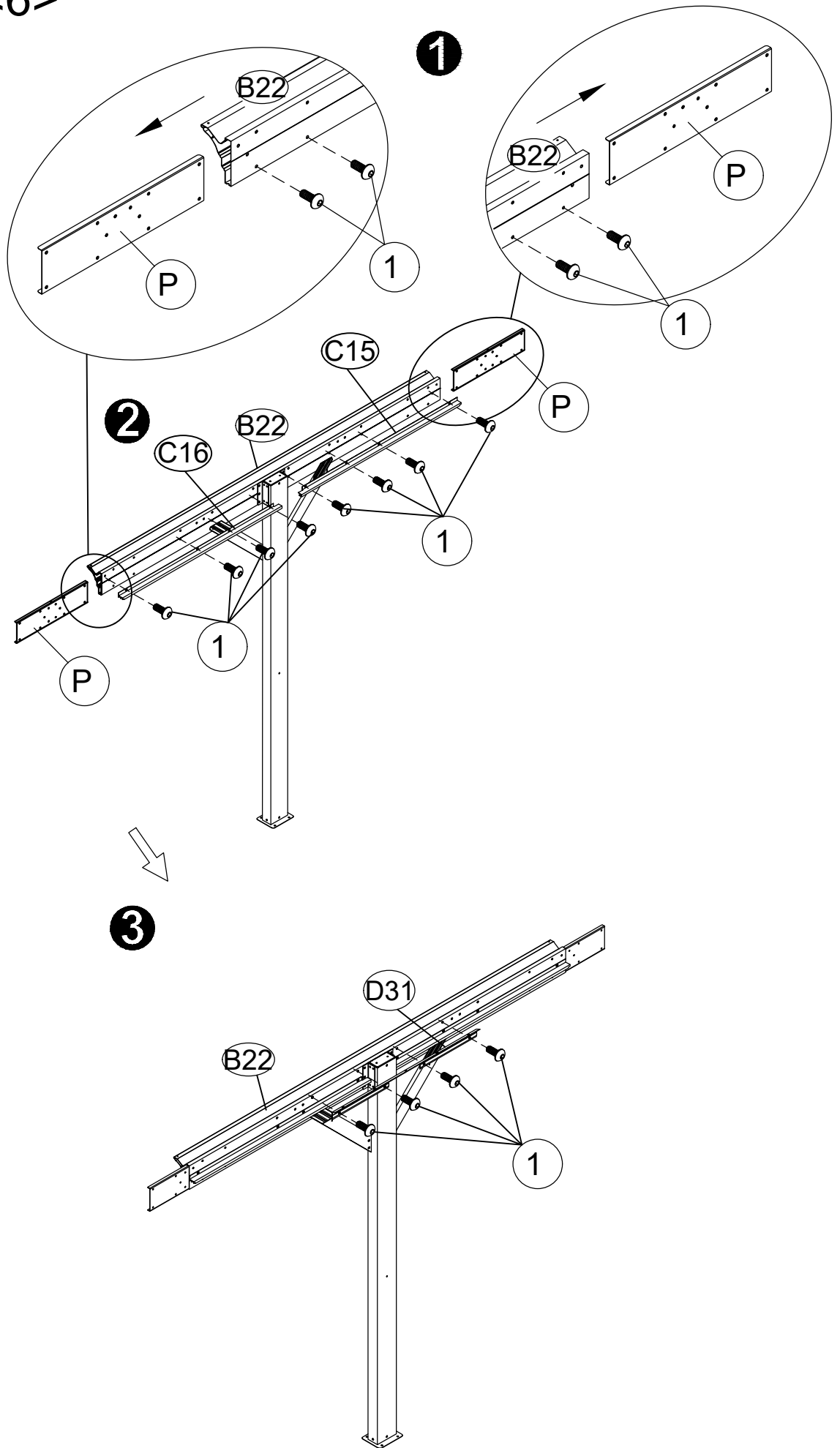


P 4x

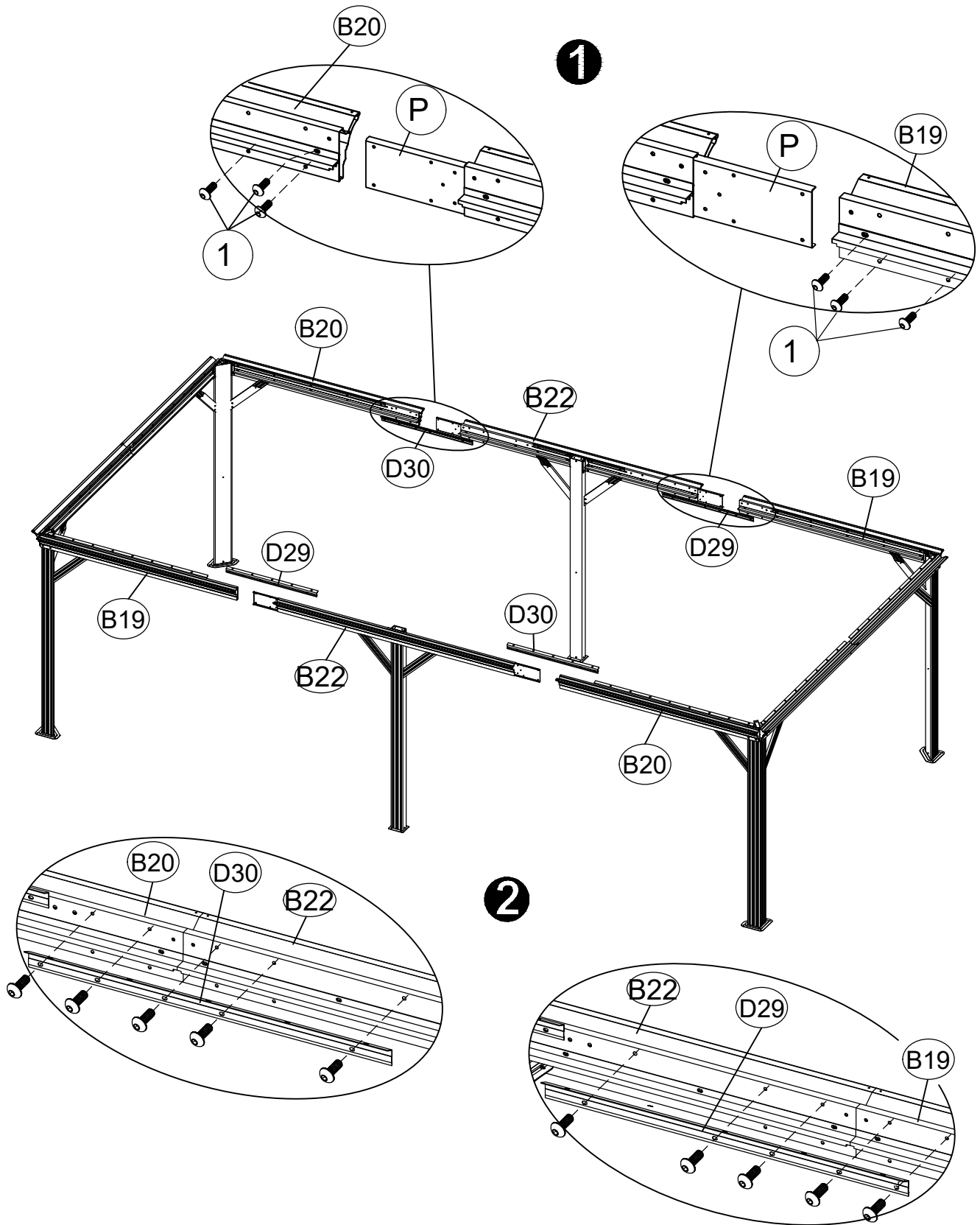


M6x15

1 32x



<7>



12



D29 2x



D30 2x

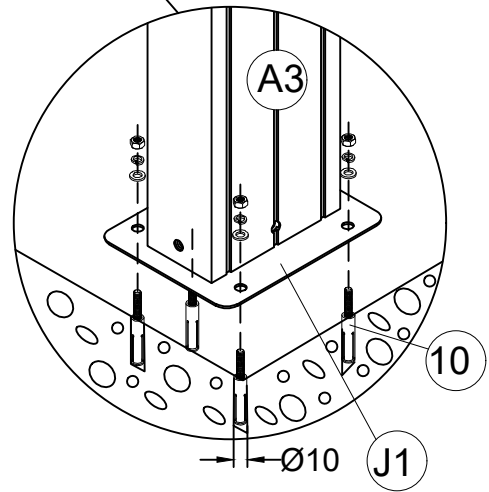
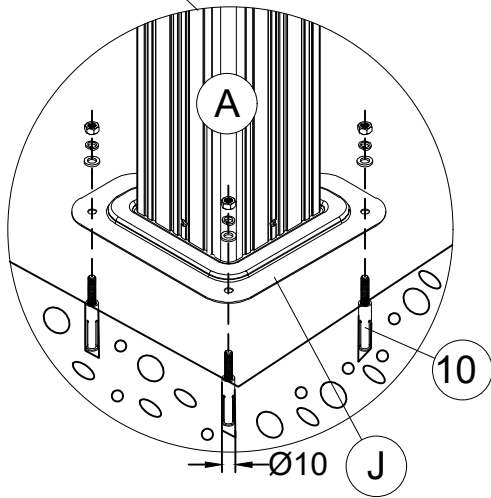
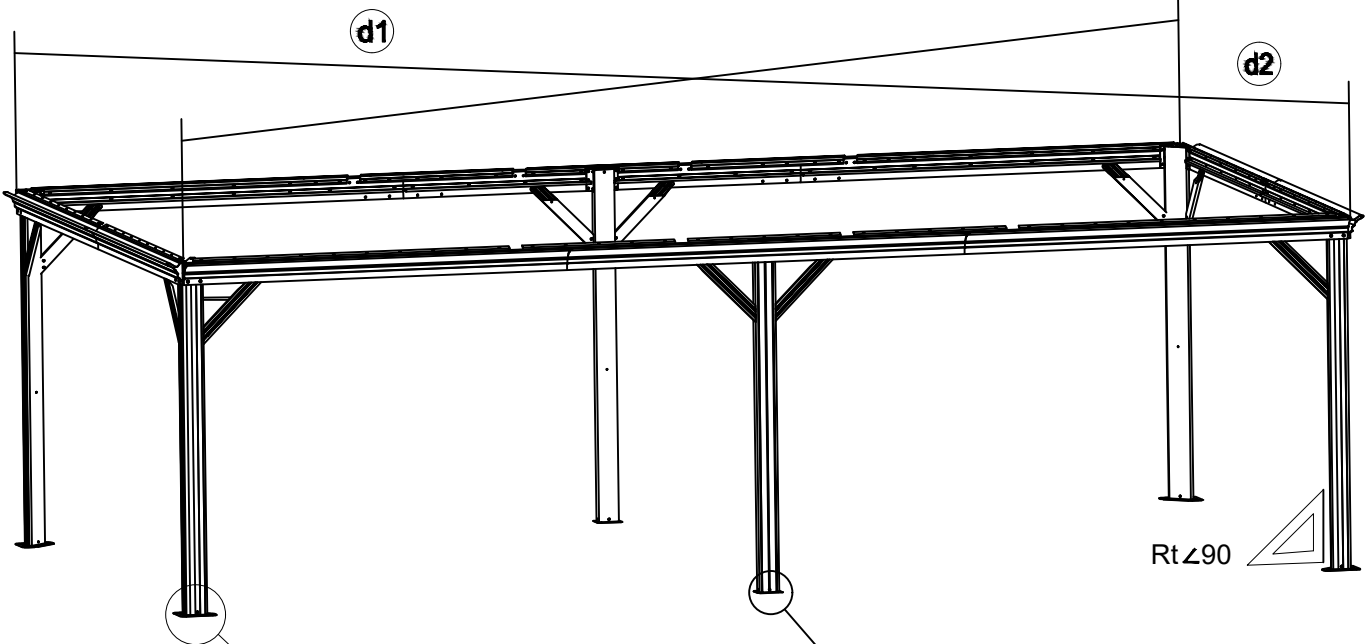


1 32x

M6x15

<8>

i d1=d2

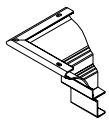


Tips: Please measure to make sure the length of d1 is equal to d2 before moving to next step to ensure a square frame and best results. Otherwise, please loosen the "H" or "H1" screws and adjust them. Keep the beam at right angles to the post, the post at right angles to the ground, and keep the beam horizontal.



10 20x

13



<9>

(K) 4x



(K1) 6x



(U) 176x



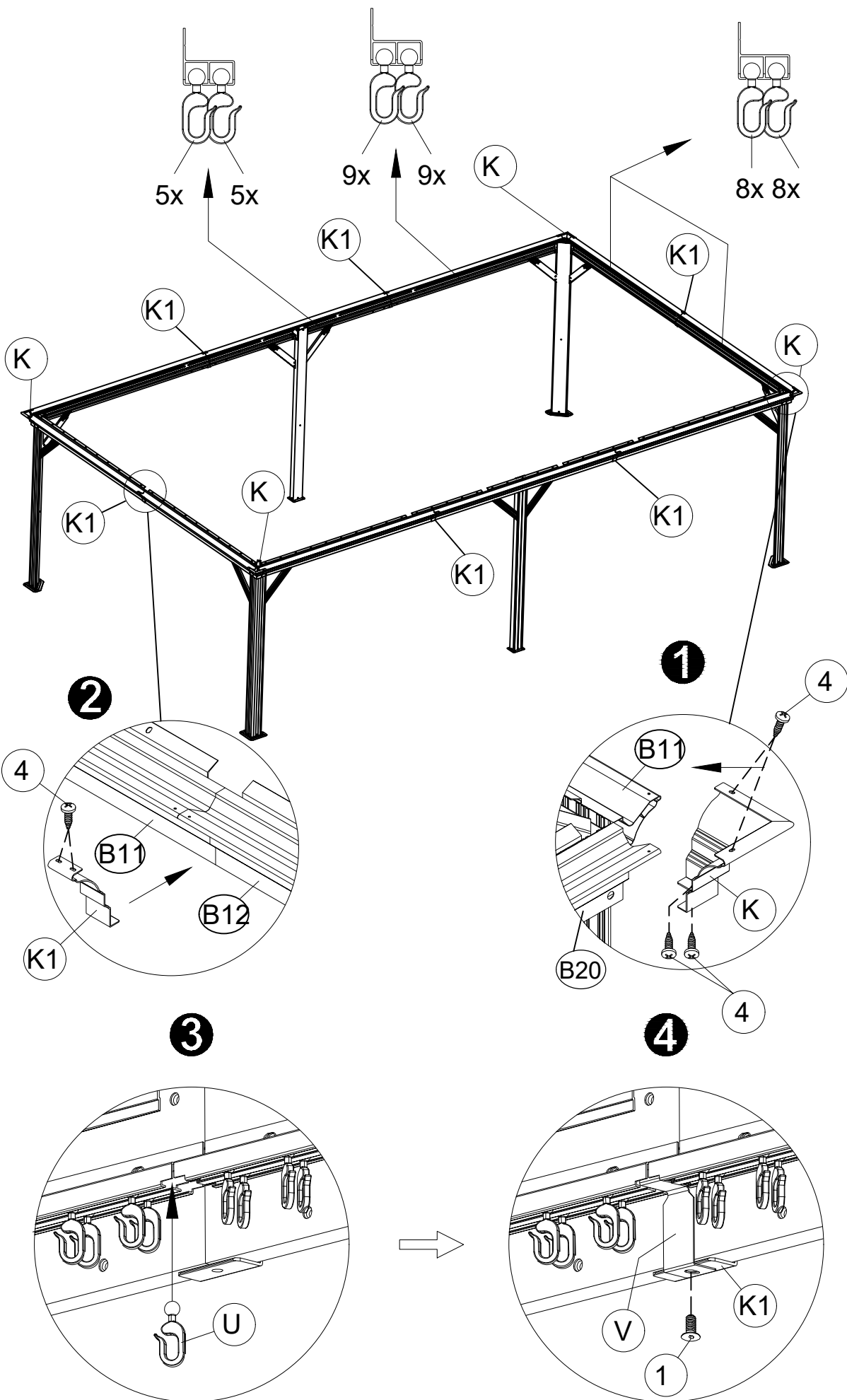
(V) 6x



(1) 6x M6x15



(4) 28x ST4.8x12



<10>



F17 2x



L8 2x



L8b 1x



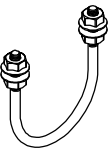
M6x15

1 12x

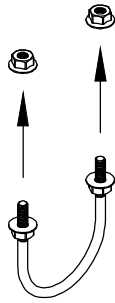
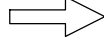
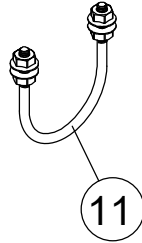


M6x10

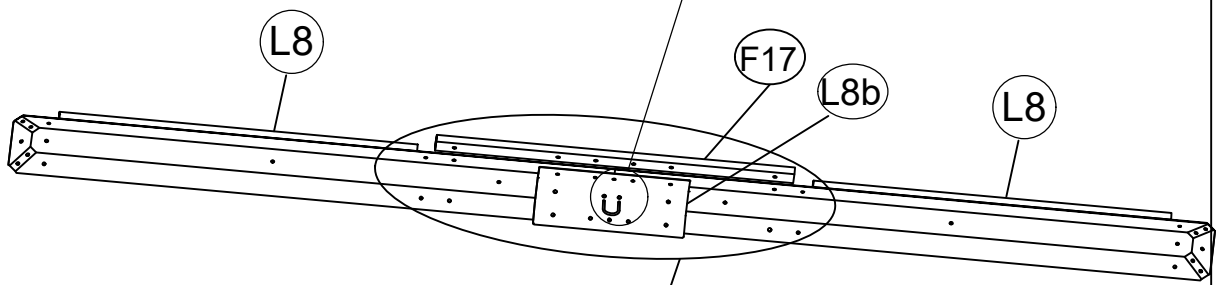
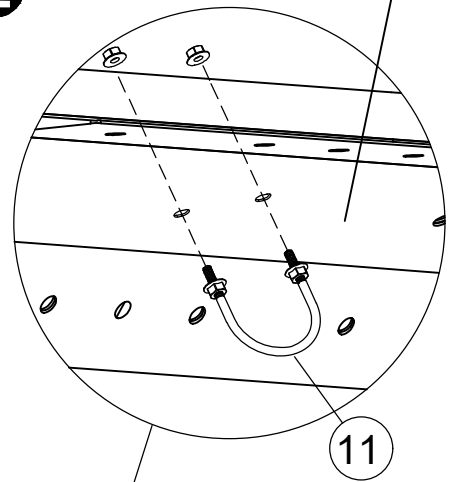
9 2x



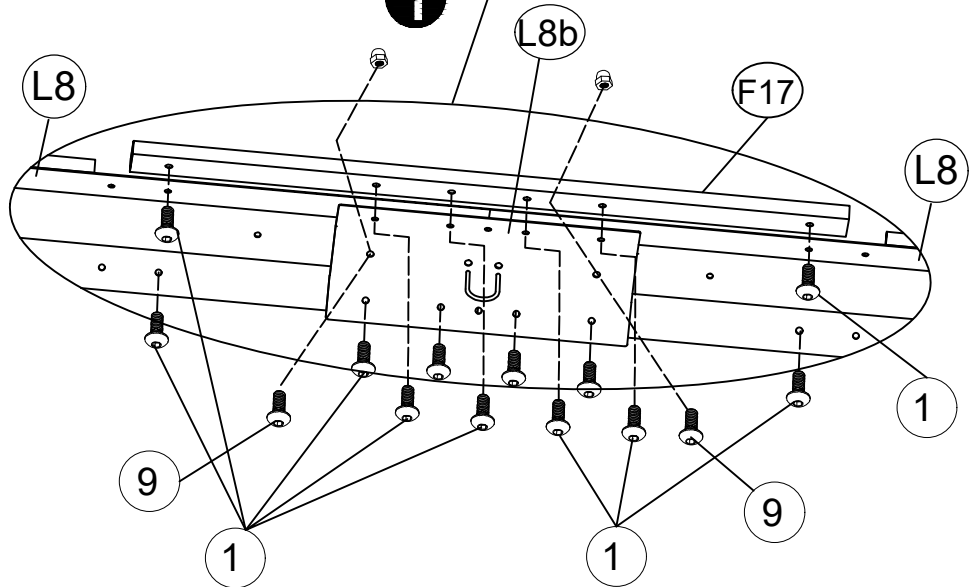
11 1x



2



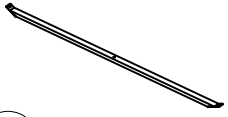
1



<11>



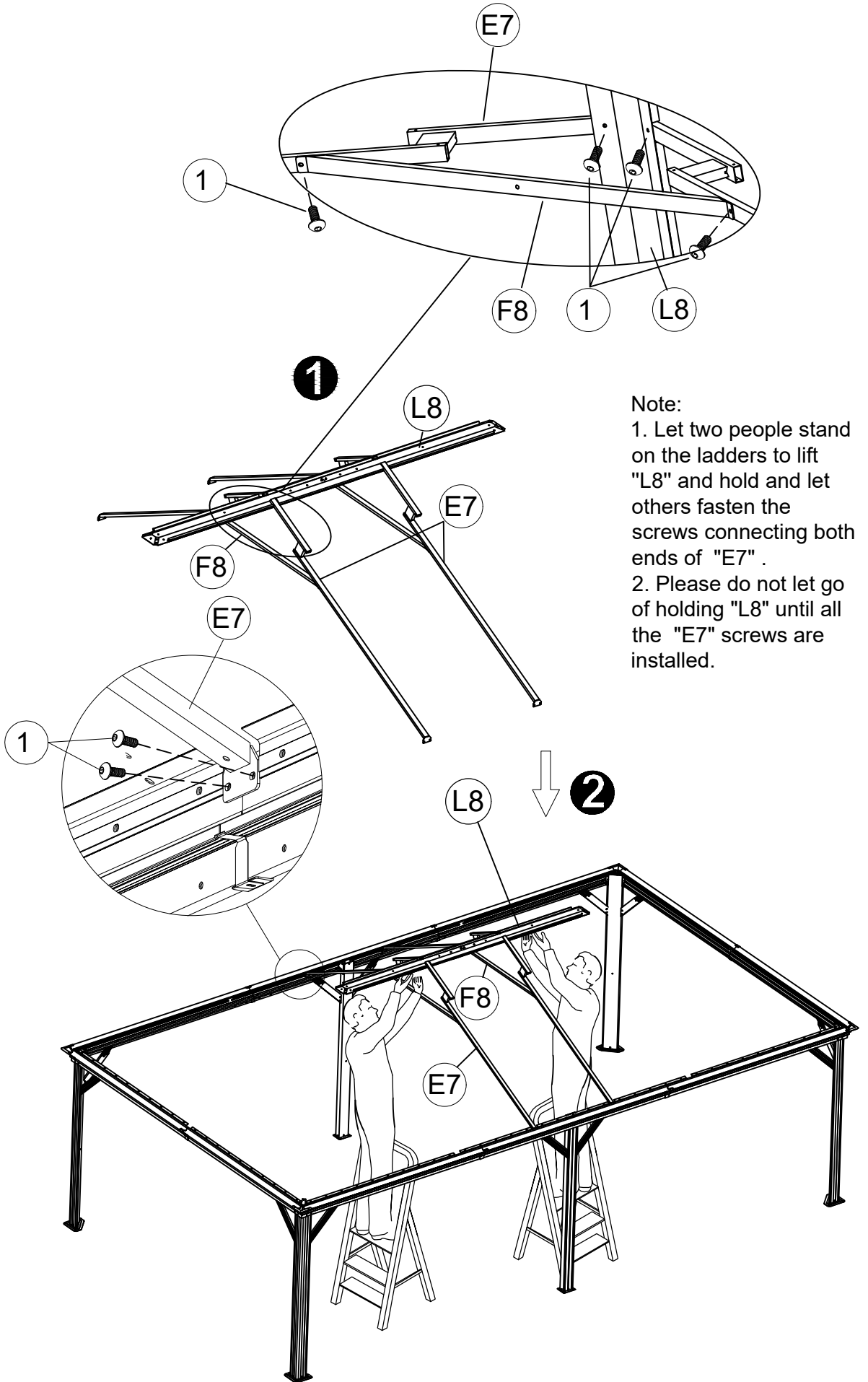
E7 4x



F8 2x



1 16x M6x15



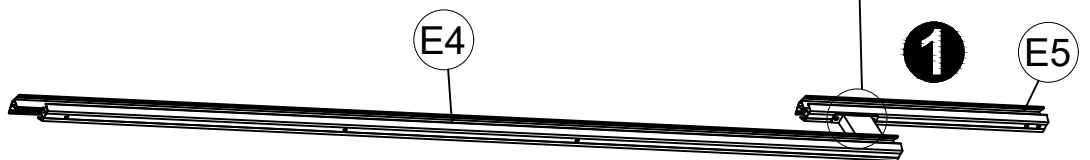
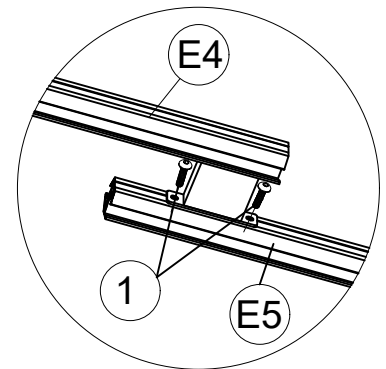
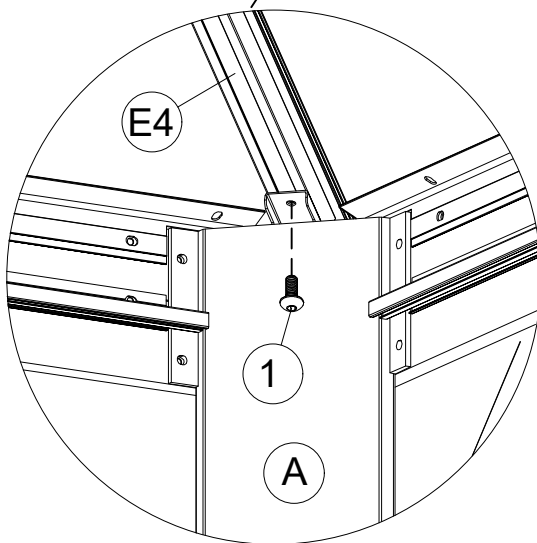
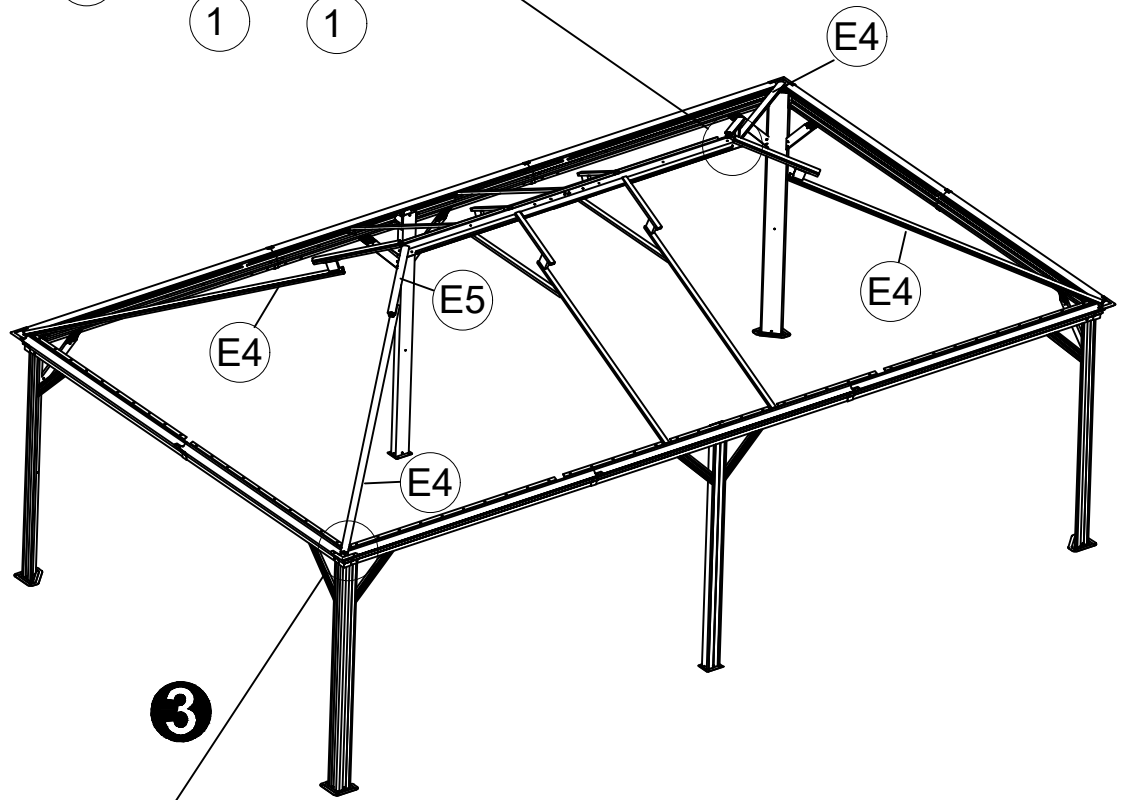
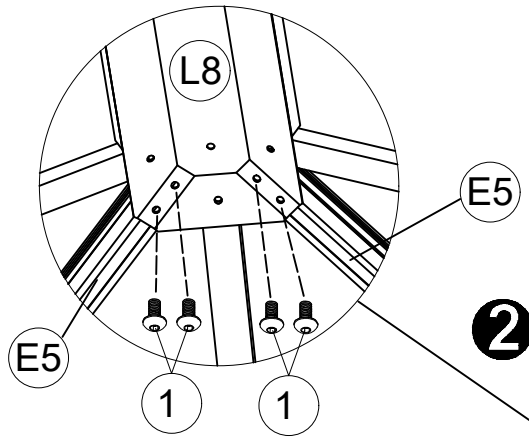
<12>

E4 4x

E5 4x

1 20x

M6x15



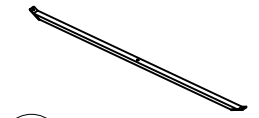
<13>



E7 4x



E8 2x



F8 2x

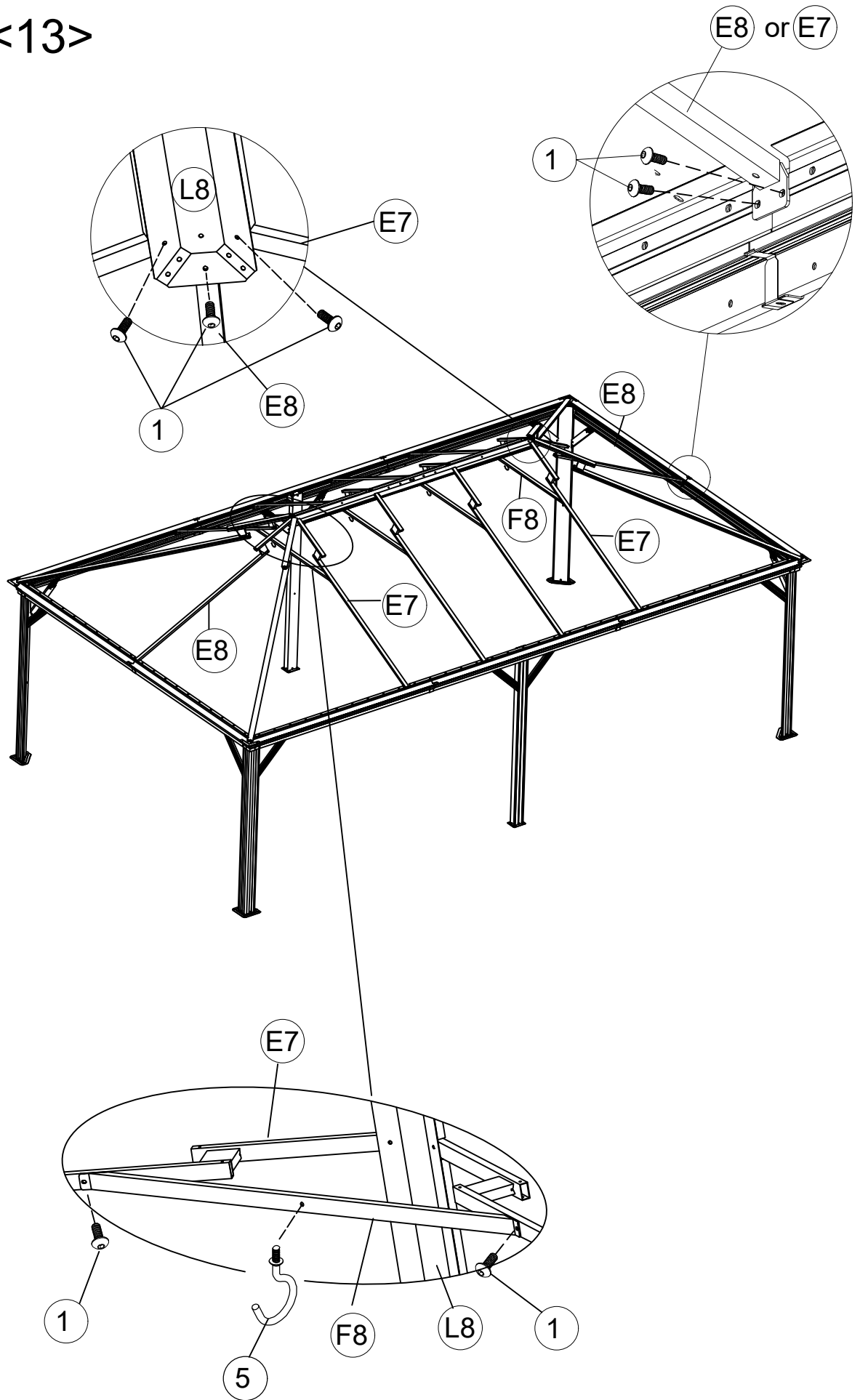


M6x15

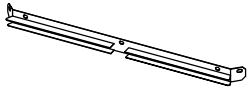
1 22x



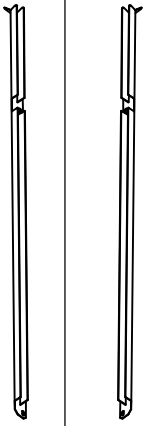
5 4x



<14>

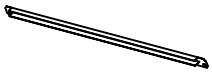


I1 2x



I15 2x

I16 2x



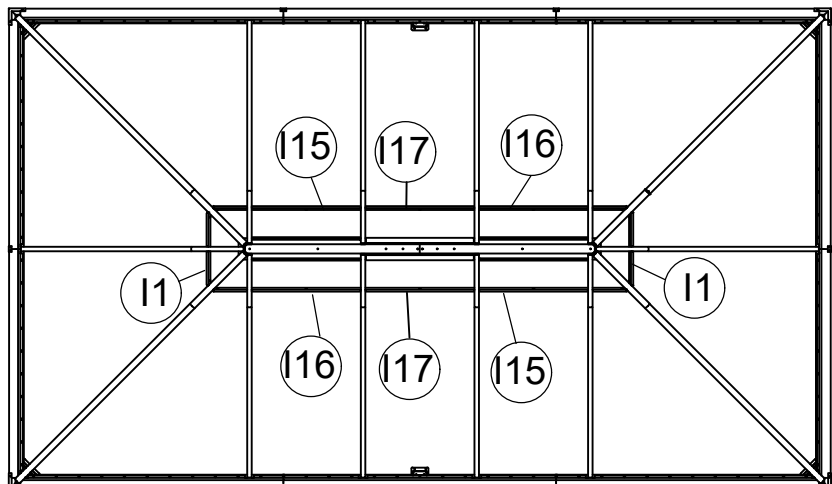
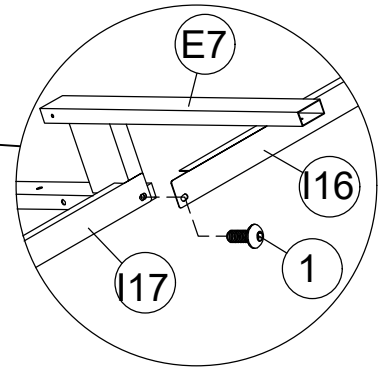
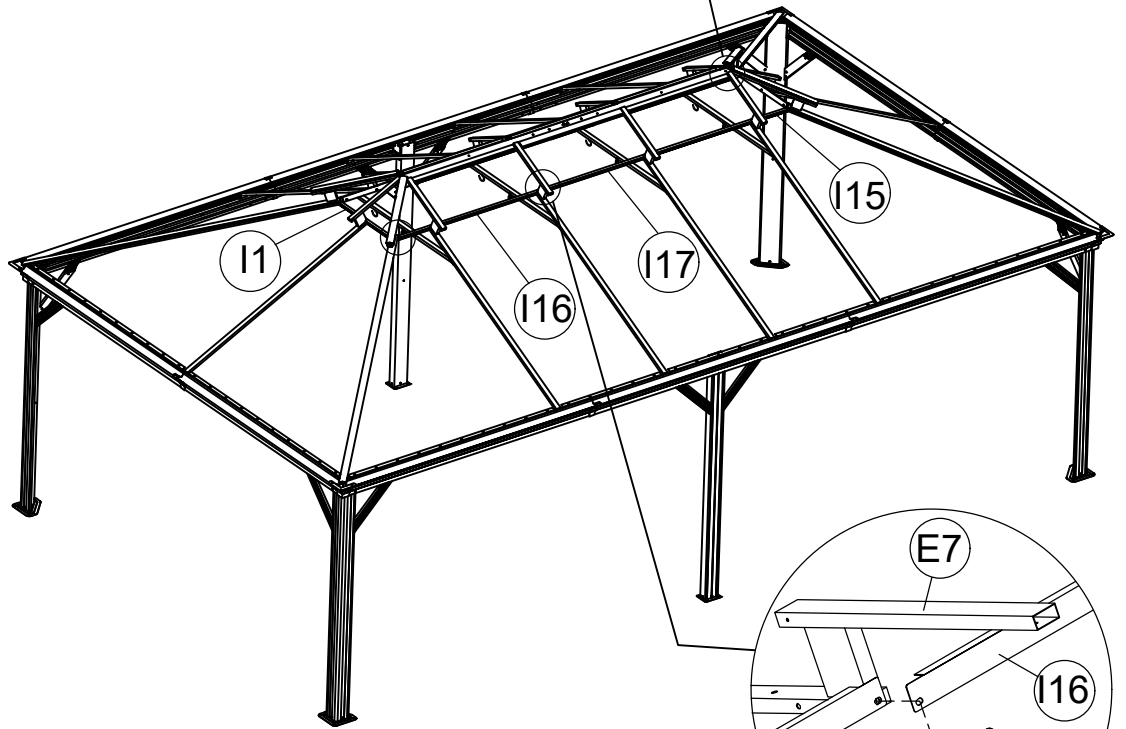
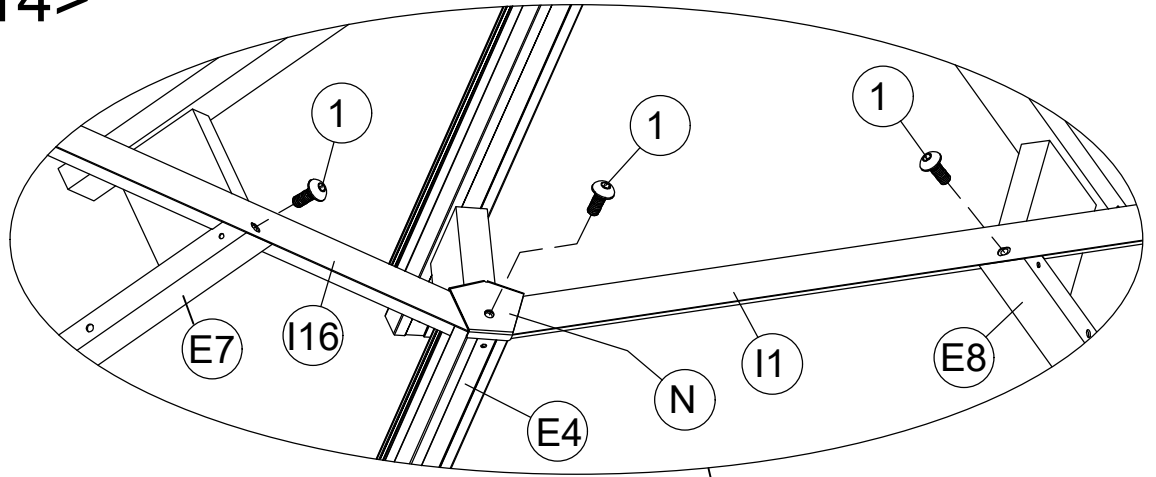
I17 2x



N 4x

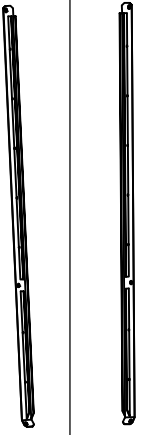


1 14x
M6x15



<15>

G1 2x



G15 2x

G16 2x



G17 2x



N 4x



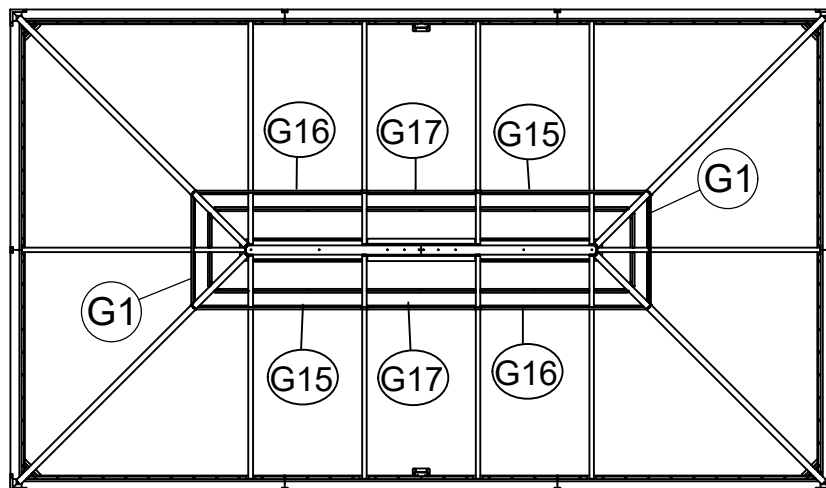
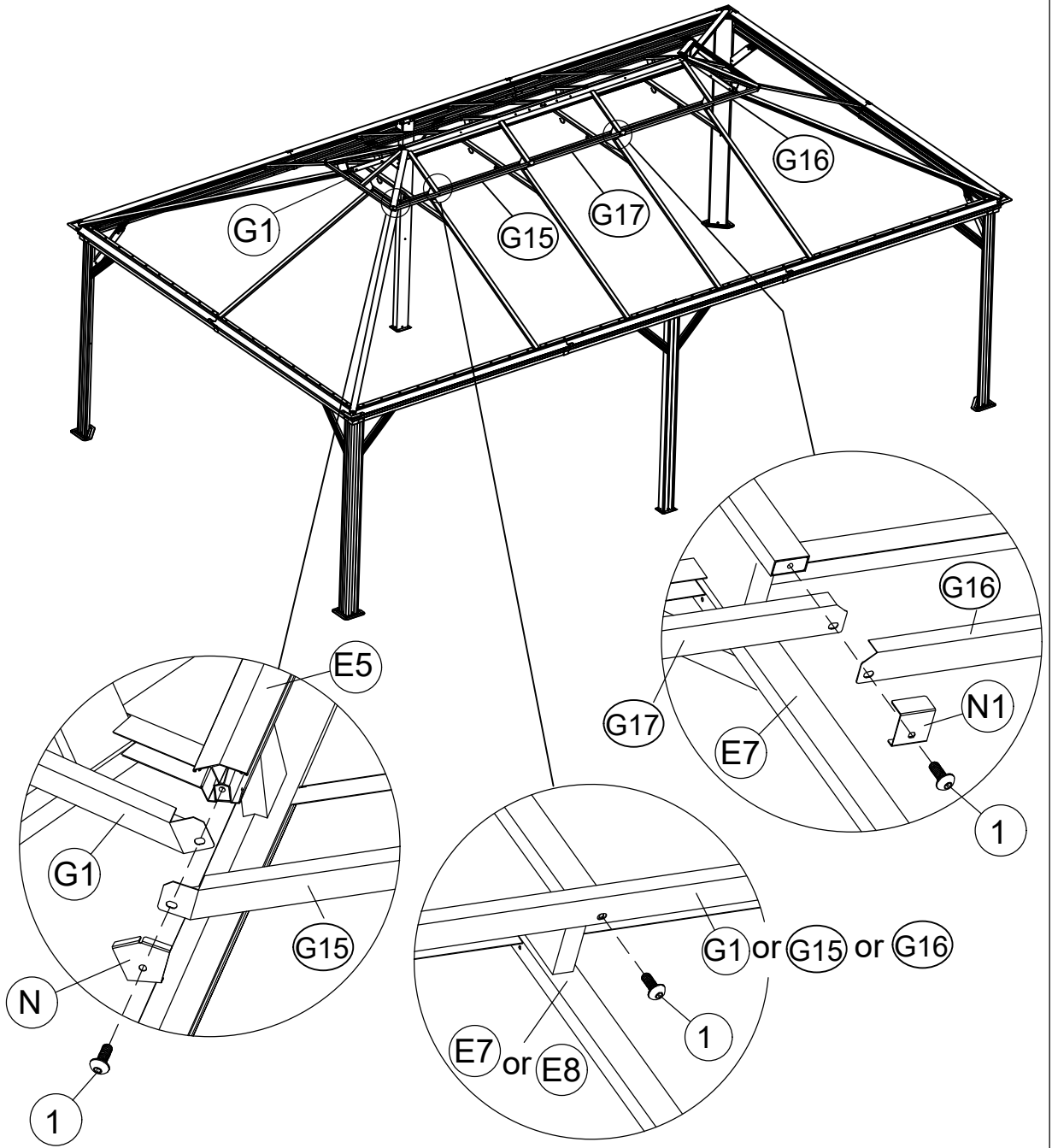
N1 4x



1 14x

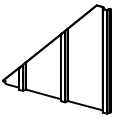
M6x15

20

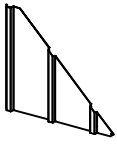


<16>

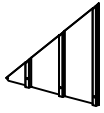
S1 2x



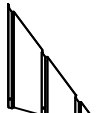
S2 2x



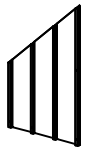
R1 2x



R2 2x



R3 2x



R4 2x



P5 2x



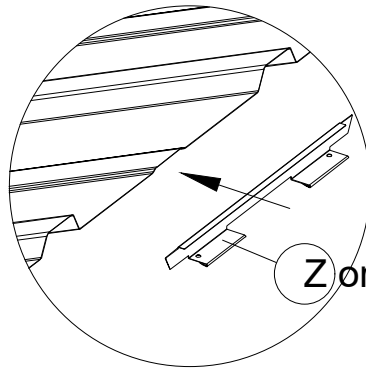
P6 2x



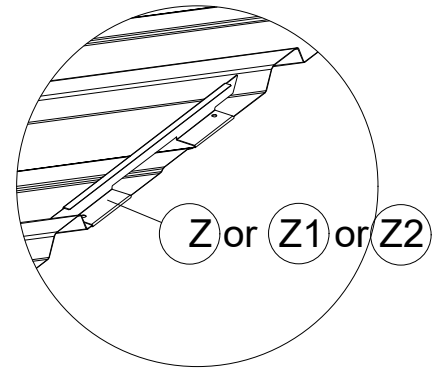
P9 2x



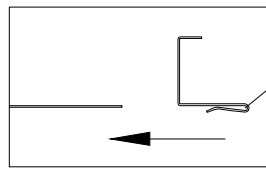
21



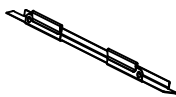
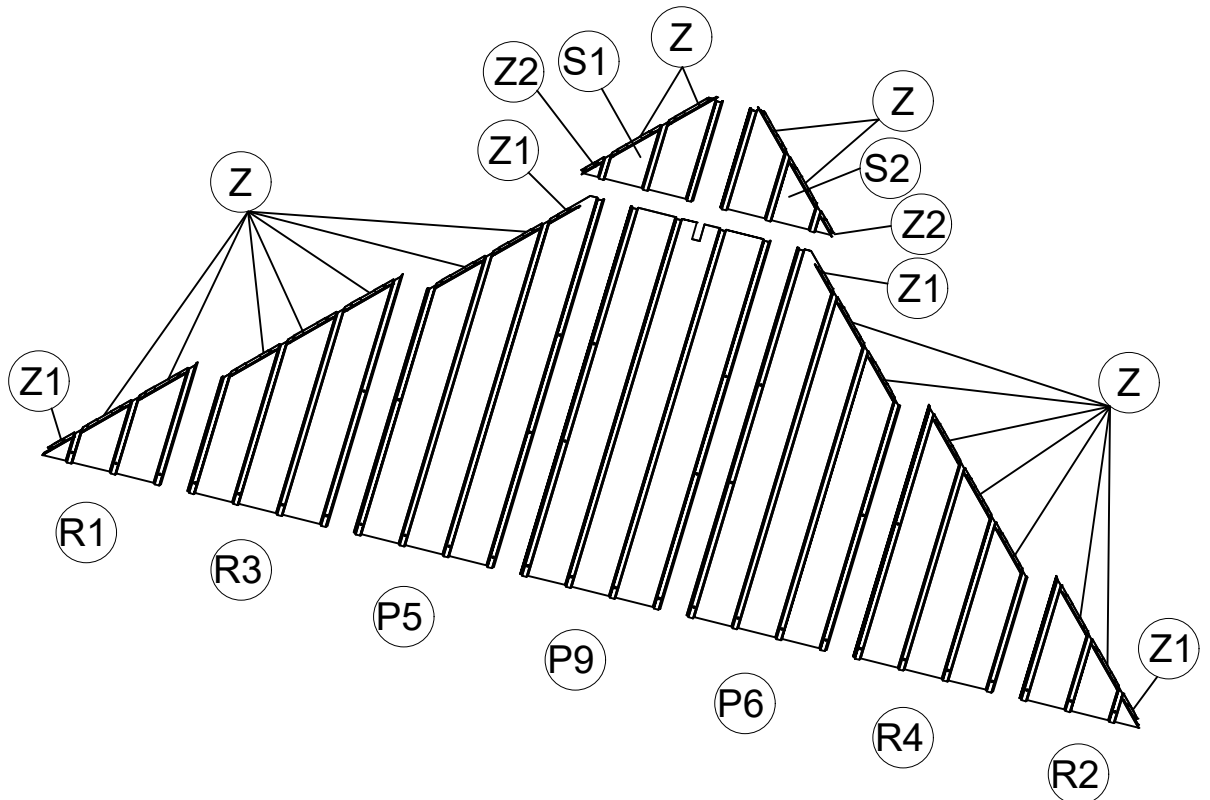
Z or Z1 or Z2



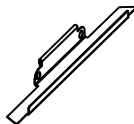
Z or Z1 or Z2



Z or Z1 or Z2



Z 36x

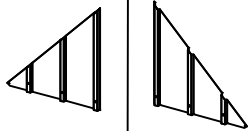


Z1 8x

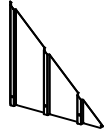


Z2 4x

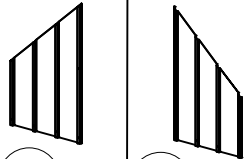
<17>



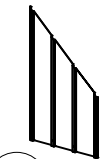
R1 2x



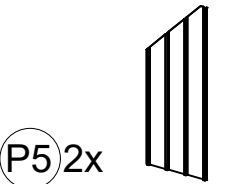
R2 2x



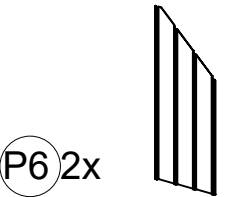
R3 2x



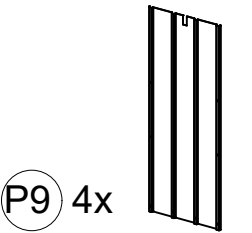
R4 2x



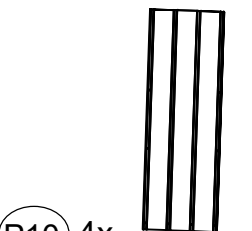
P5 2x



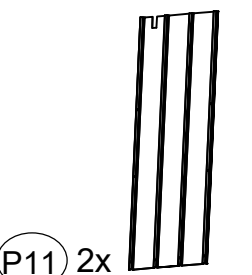
P6 2x



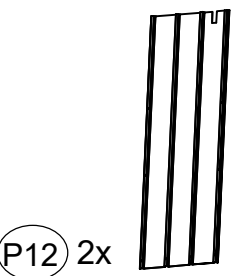
P9 4x



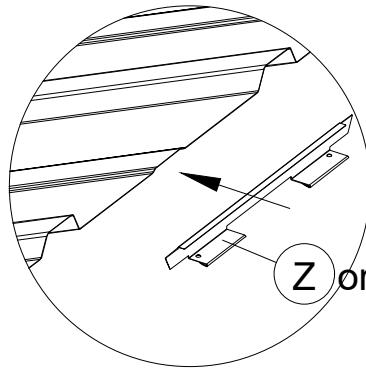
P10 4x



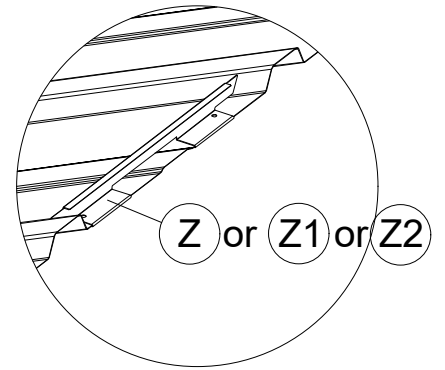
P11 2x



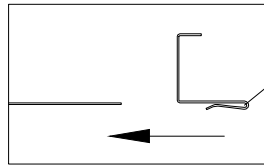
P12 2x



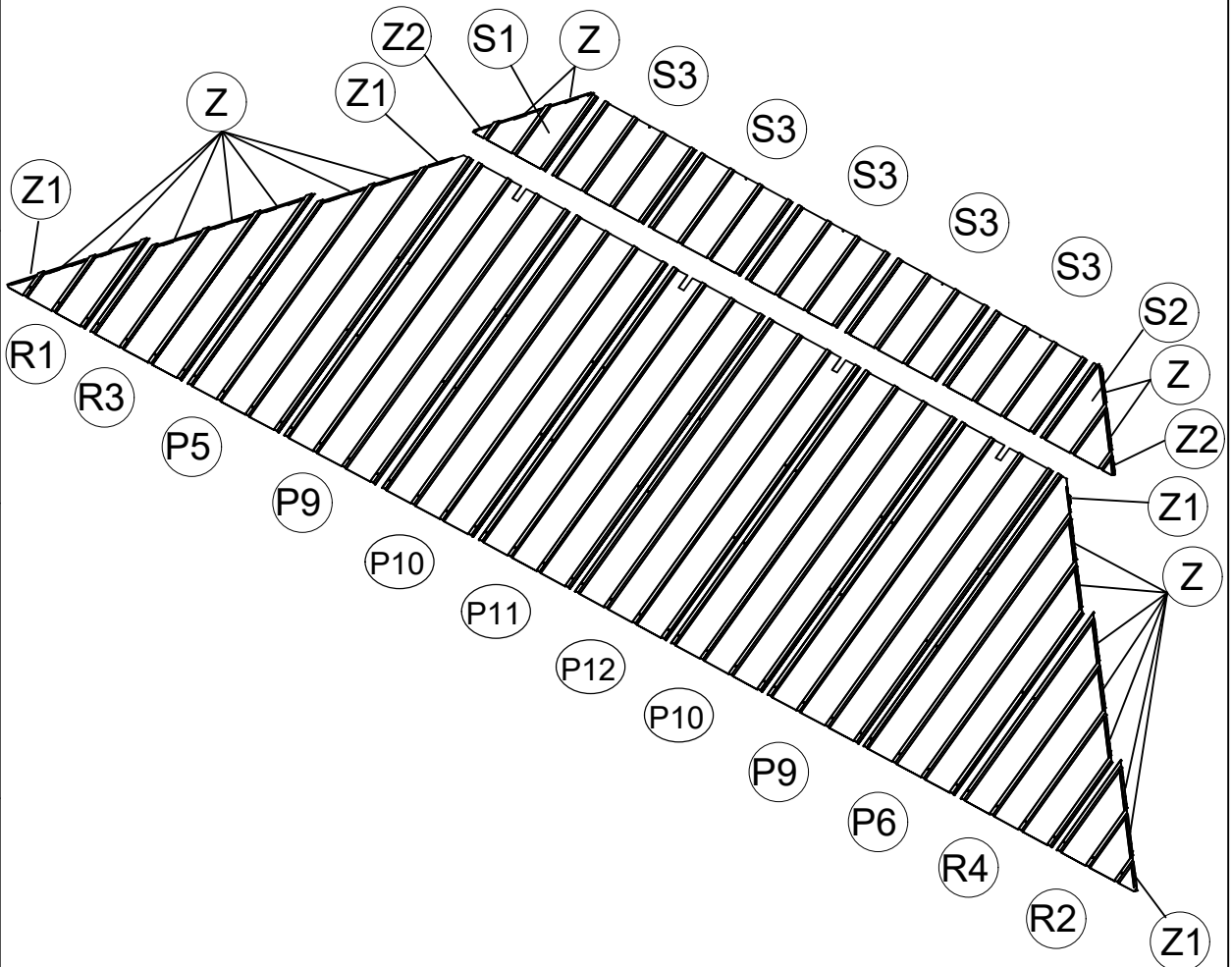
Z or Z1 or Z2



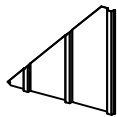
Z or Z1 or Z2



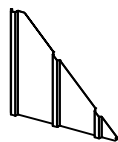
Z or Z1 or Z2



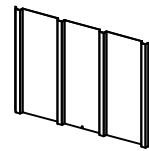
22



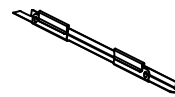
S1 2x



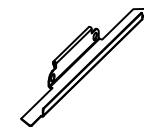
S2 2x



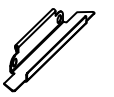
S3 10x



Z 36x

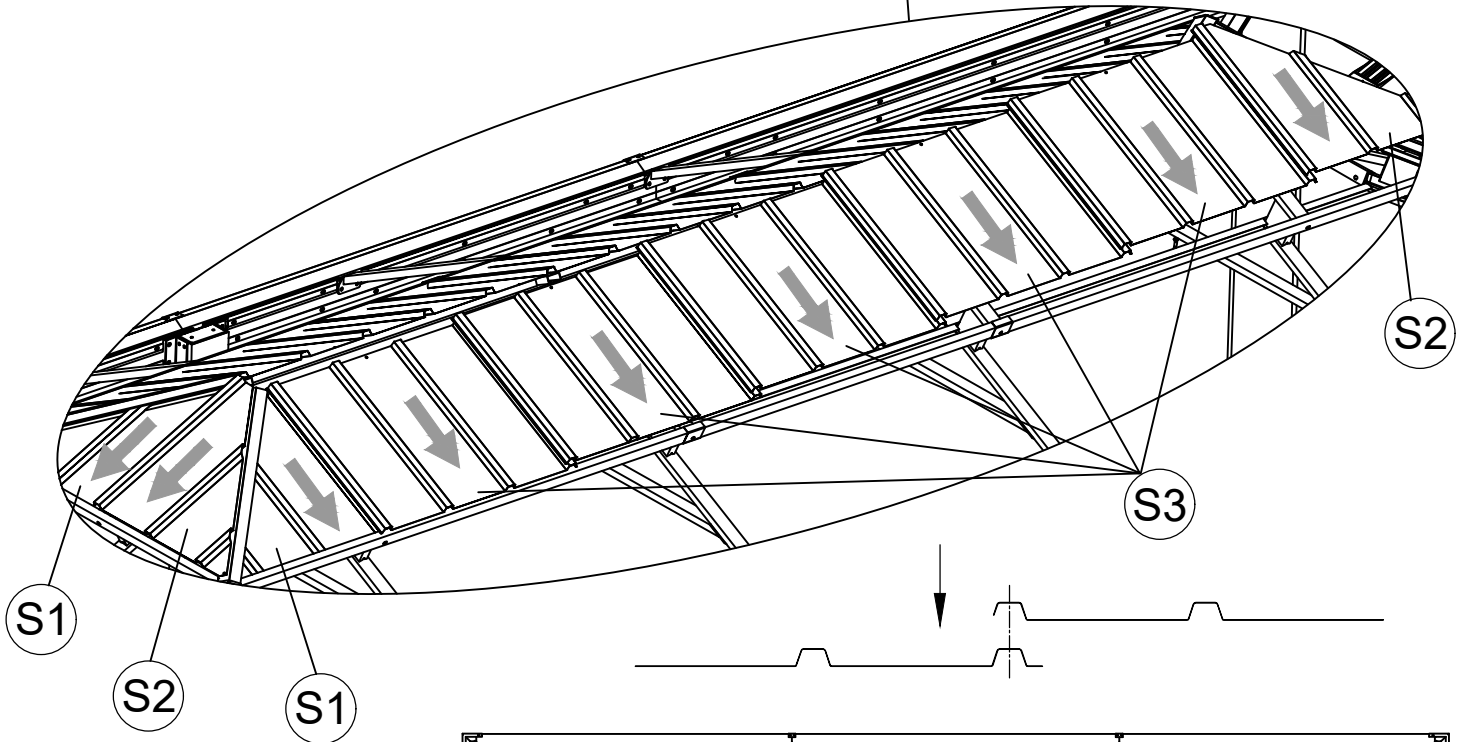
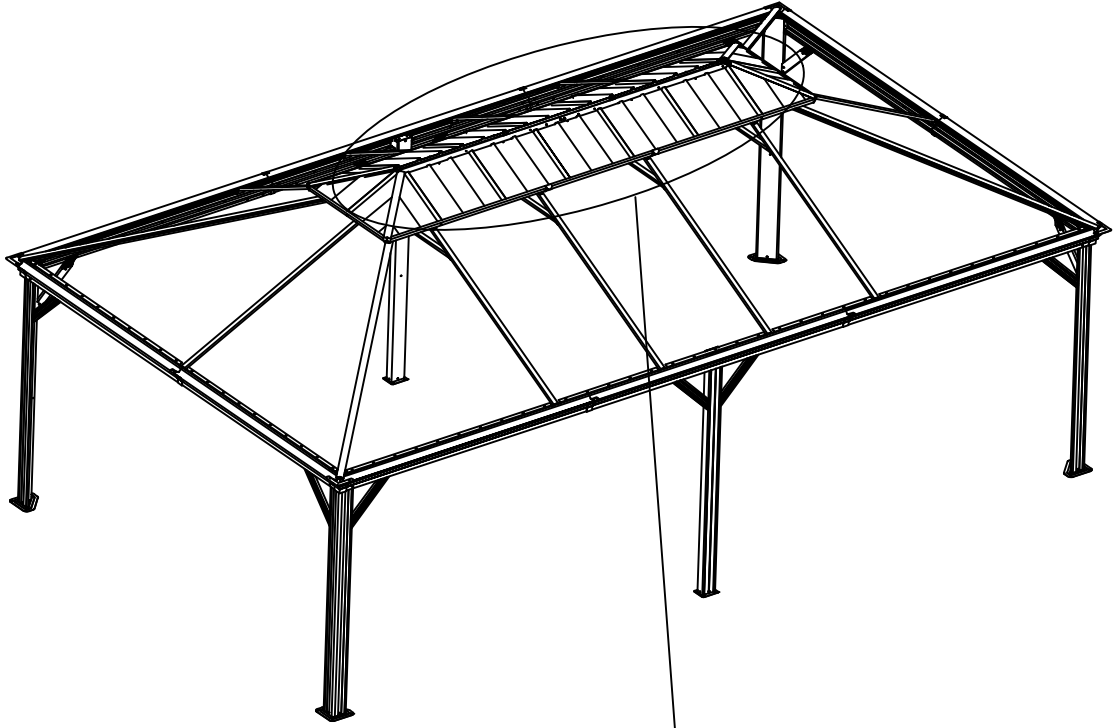


Z1 8x

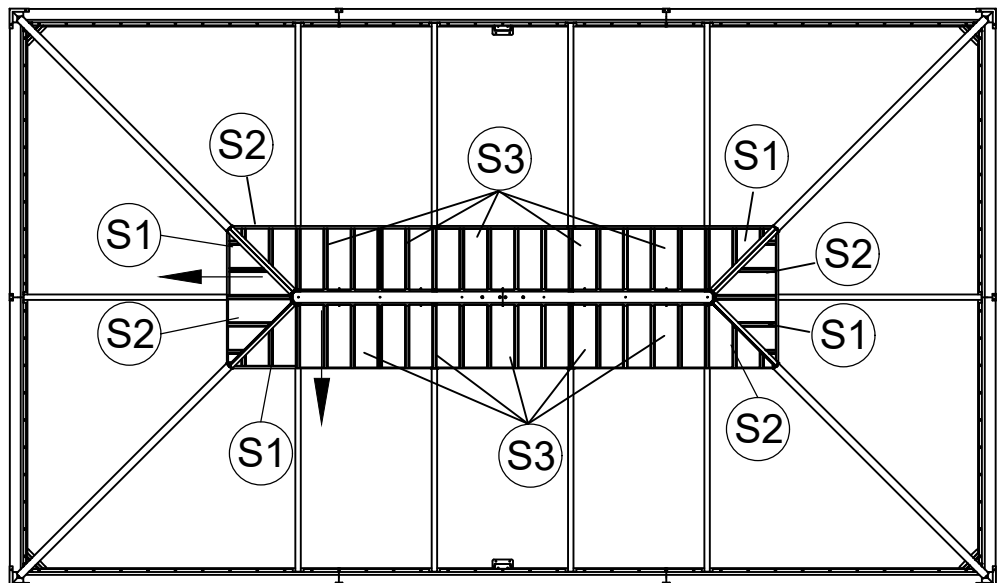


Z2 4x

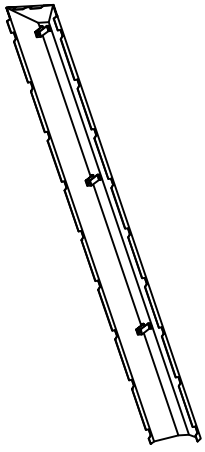
<18>



When installing the Roof plates (S2) onto short side, pls detach the right end of Roof Rib (G1) first. And then install the right end of Roof Rib (G1) again after S2 is installed.



<19>



(M8b) 2x

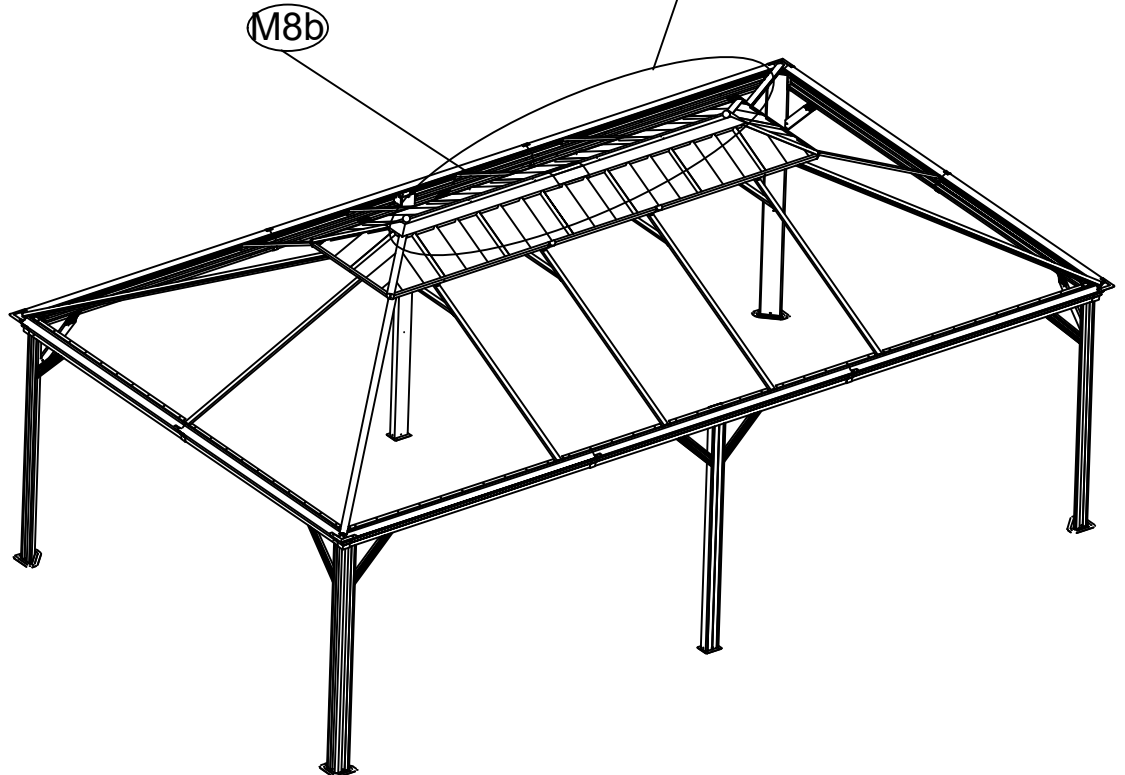
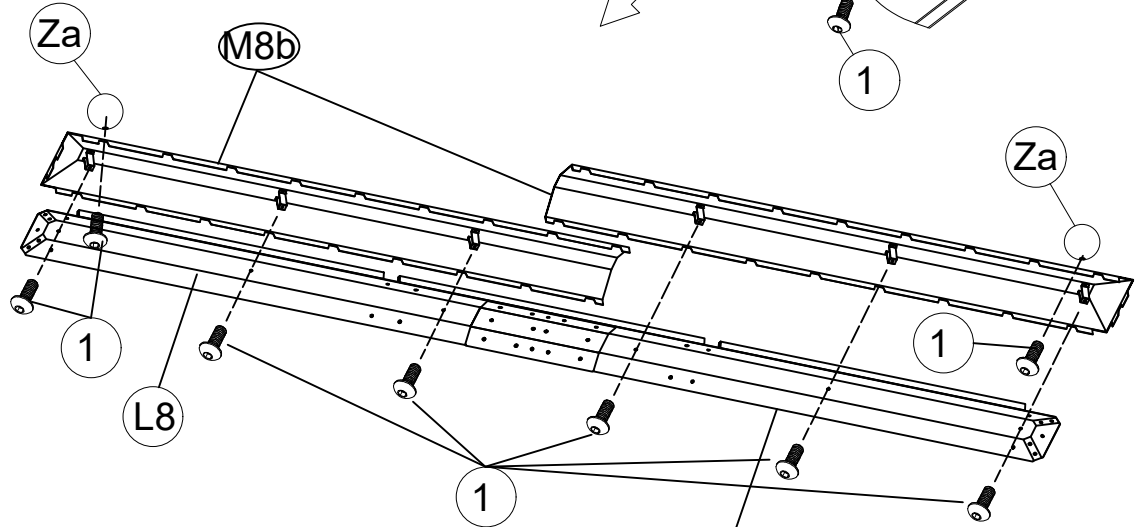
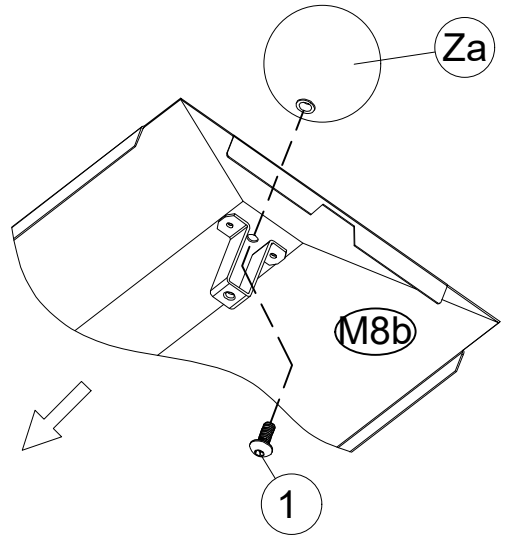


M6x15

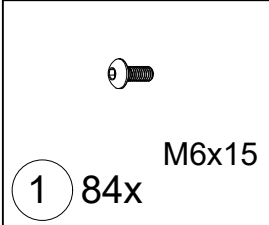
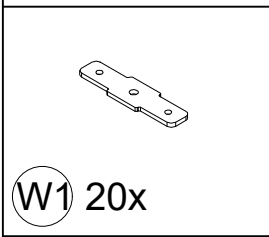
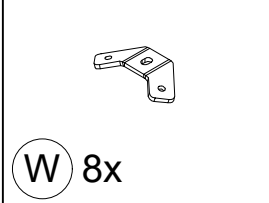
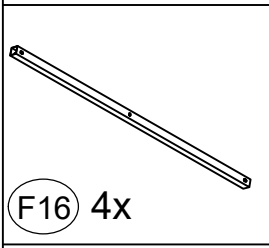
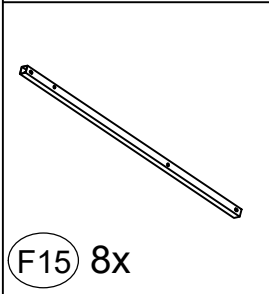
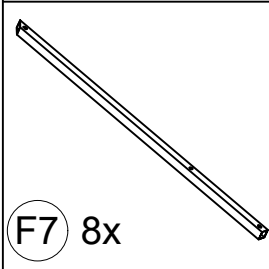
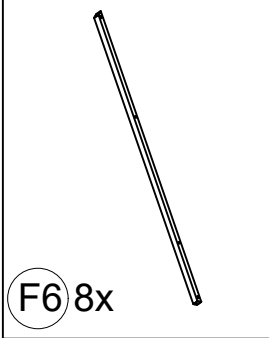
(1) 8x



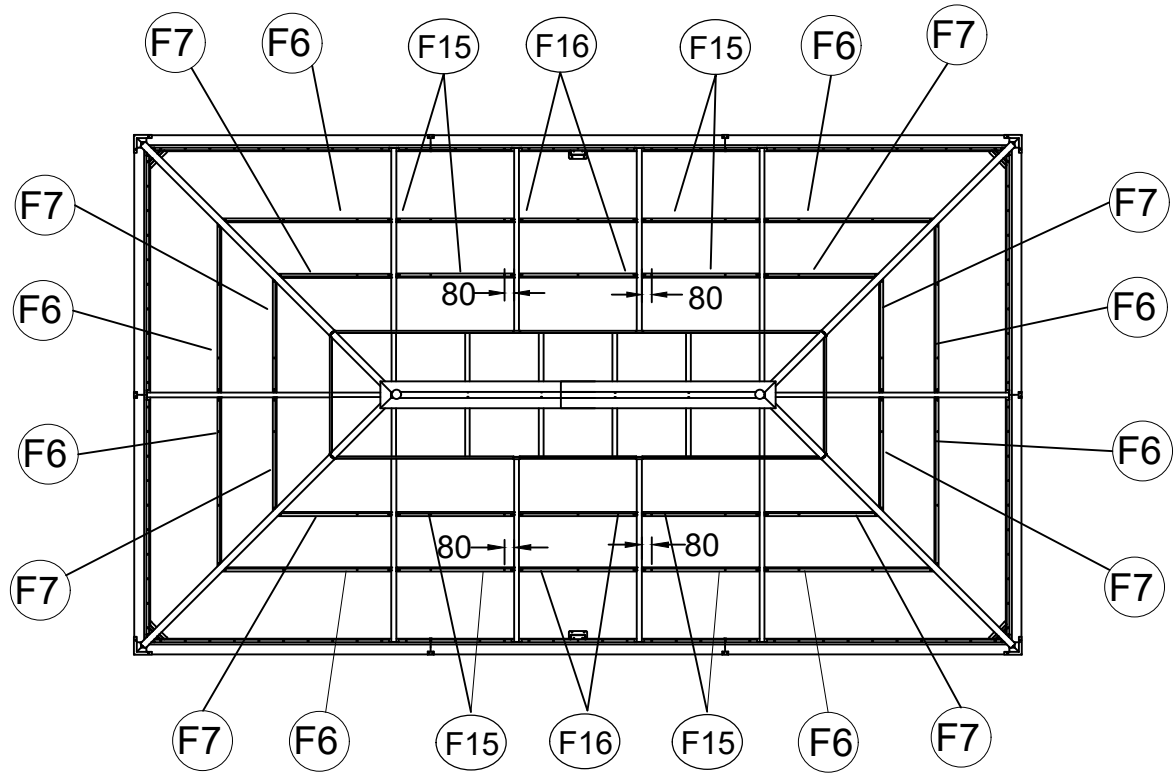
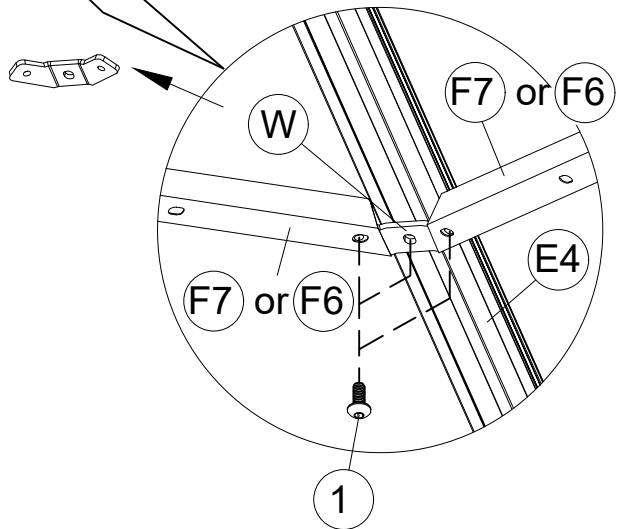
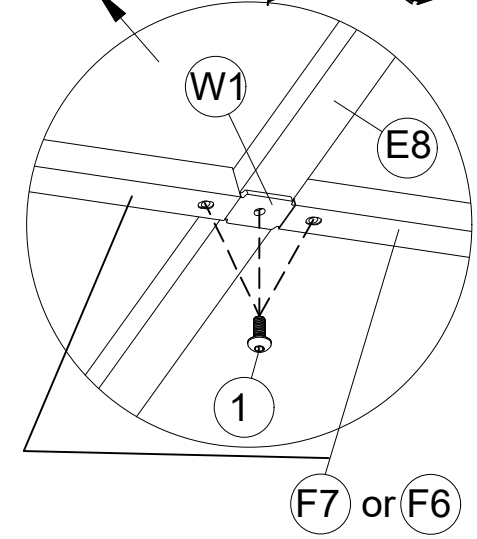
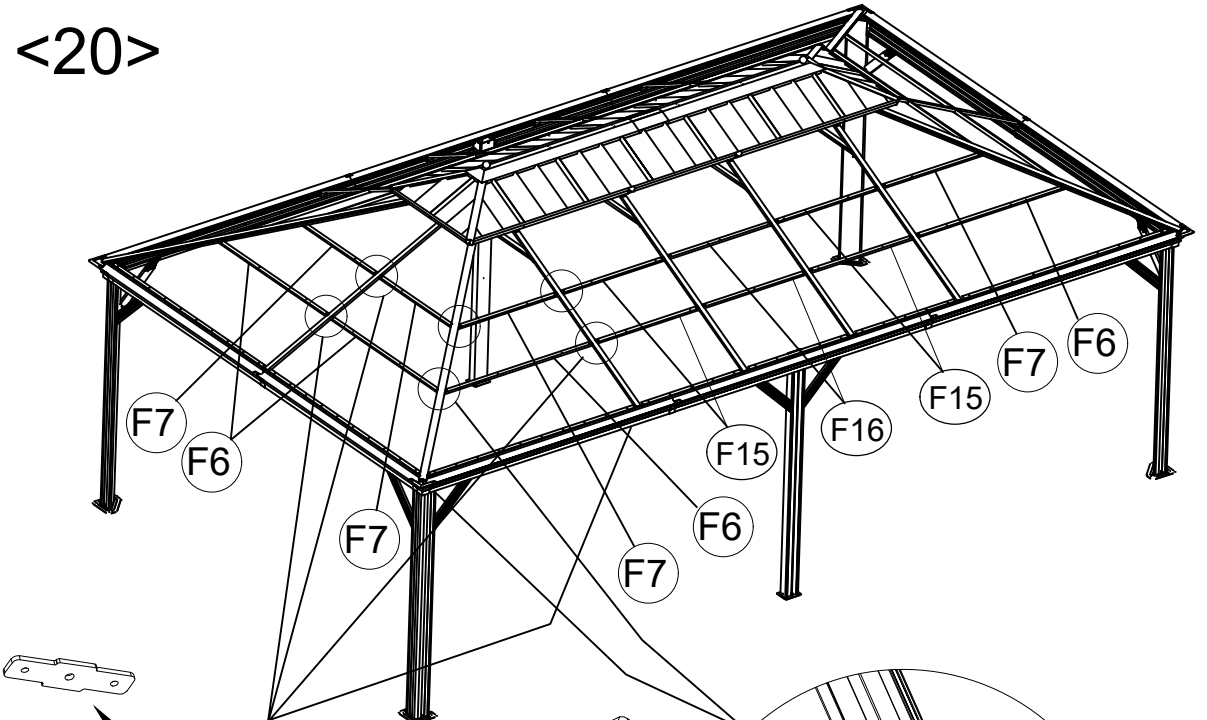
(Za) 2x



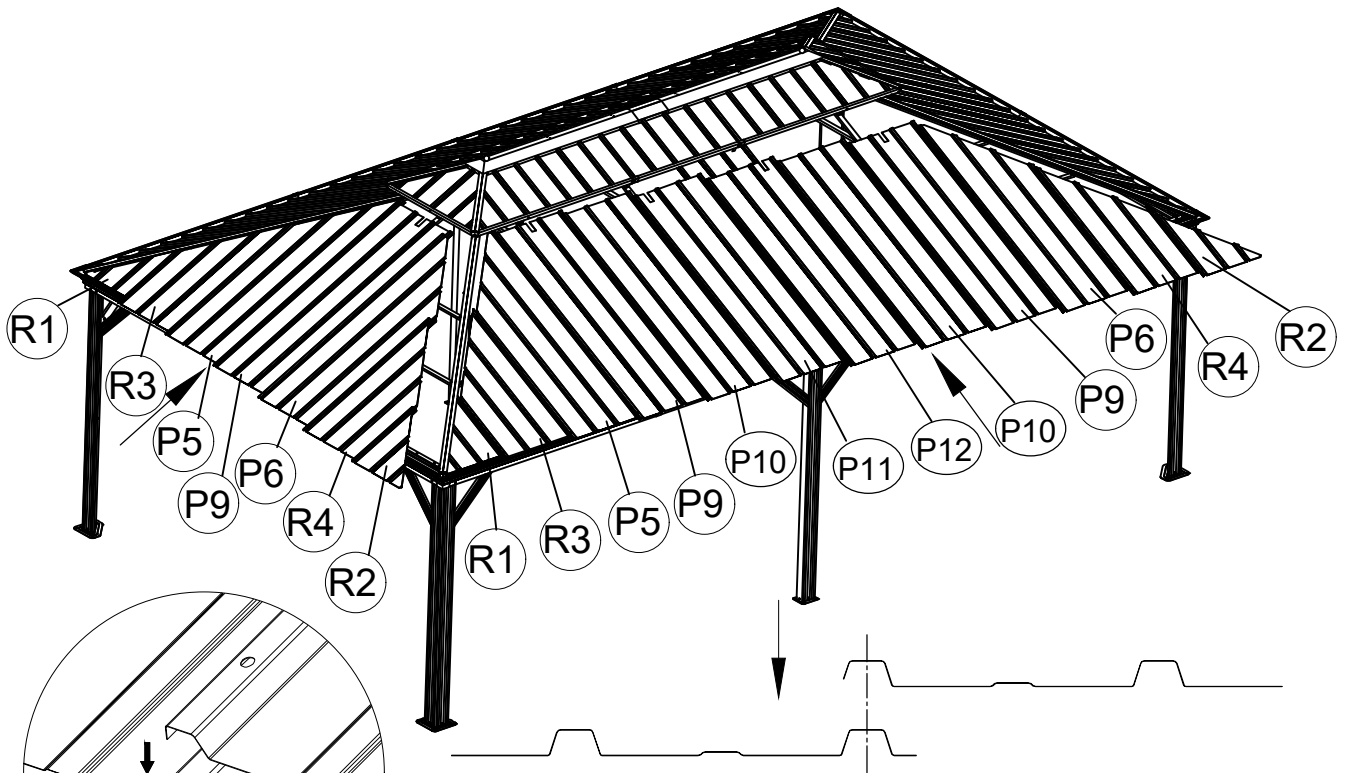
<20>



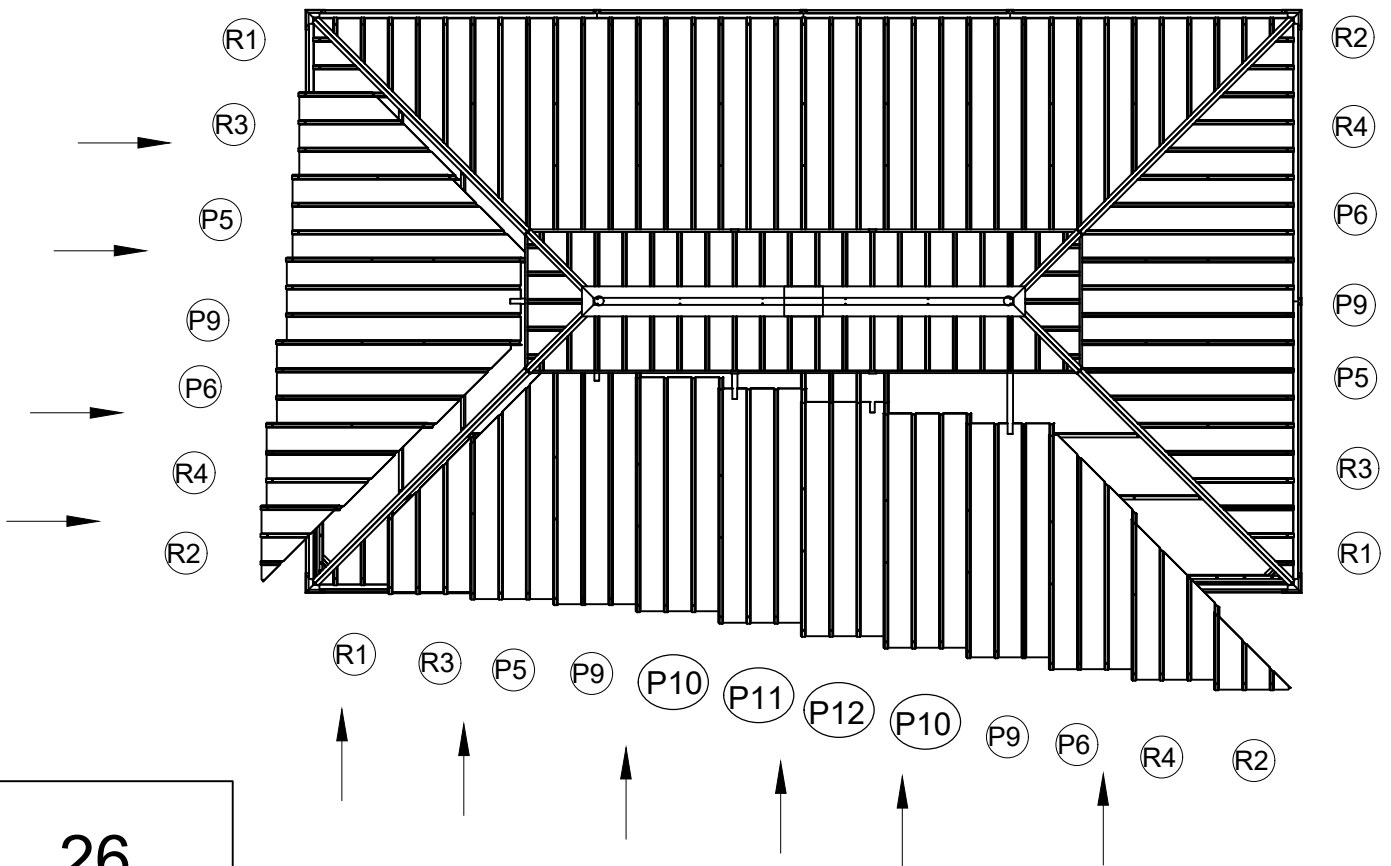
25



<21>

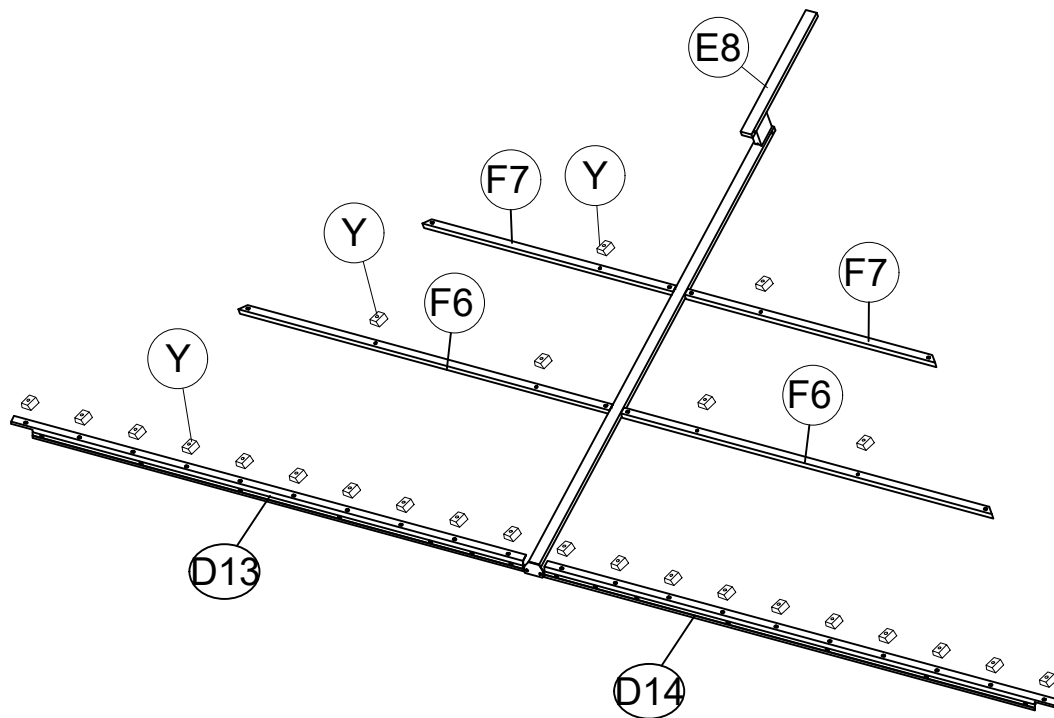
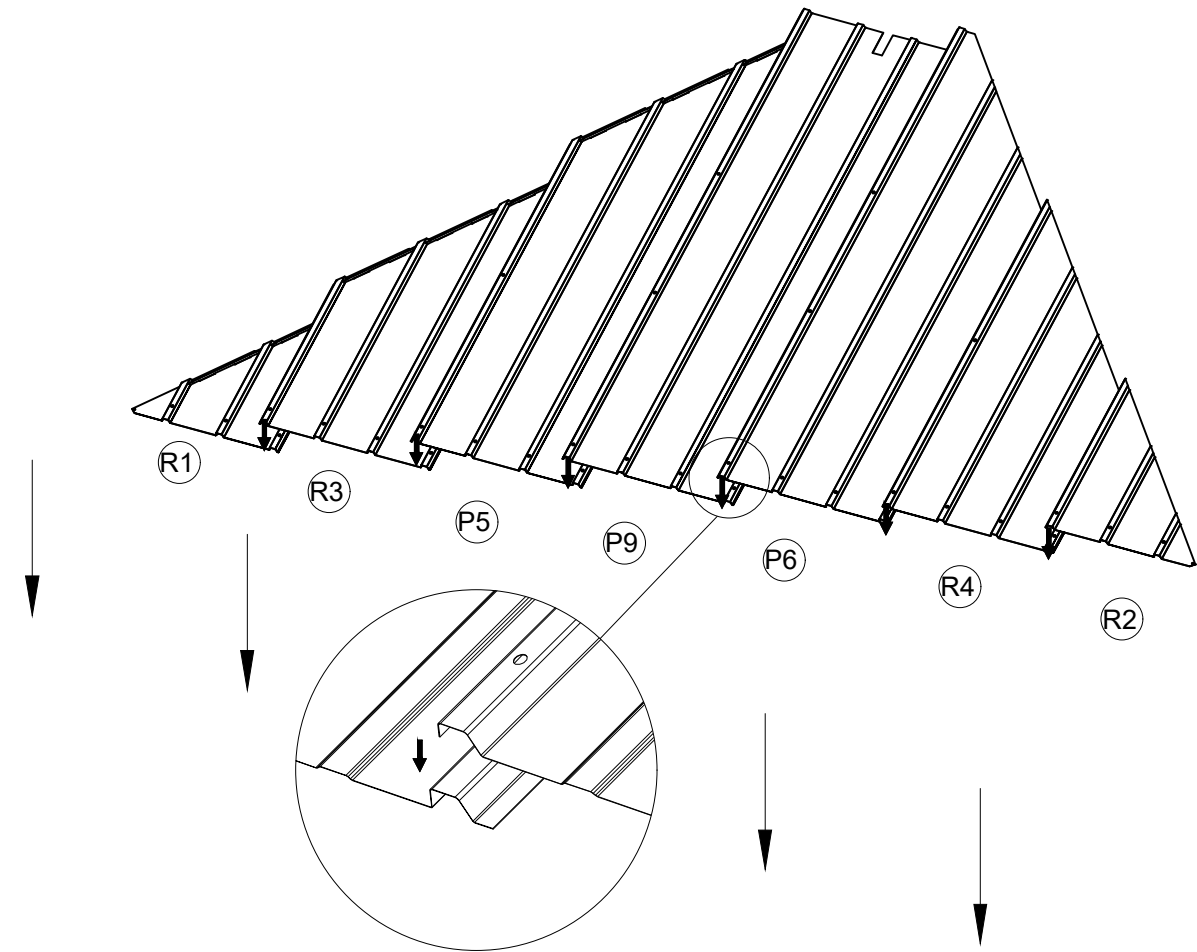


R2 R4 P6 P9 P10 P12 P11 P10 P9 P5 R3 R1

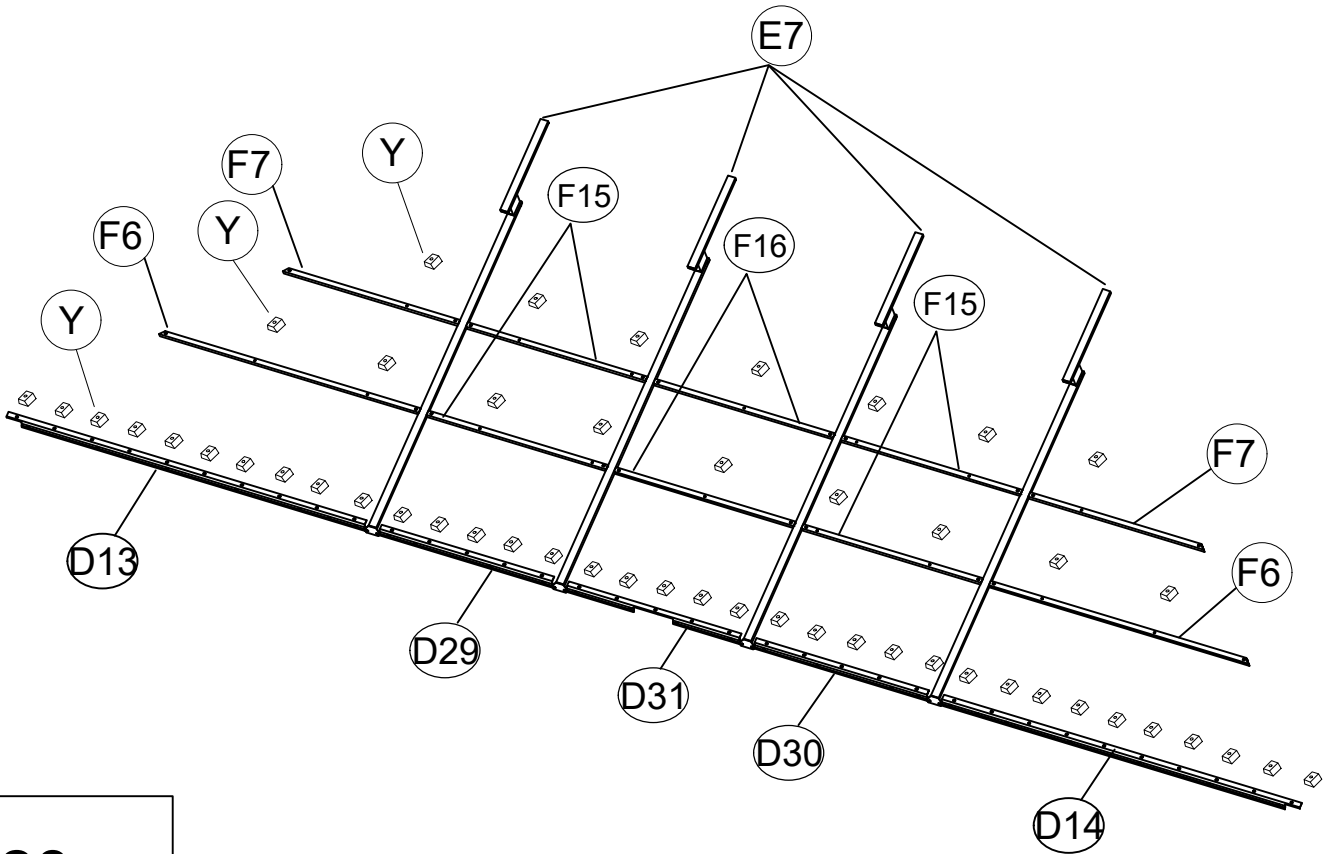
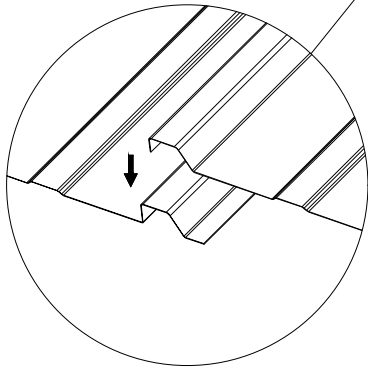
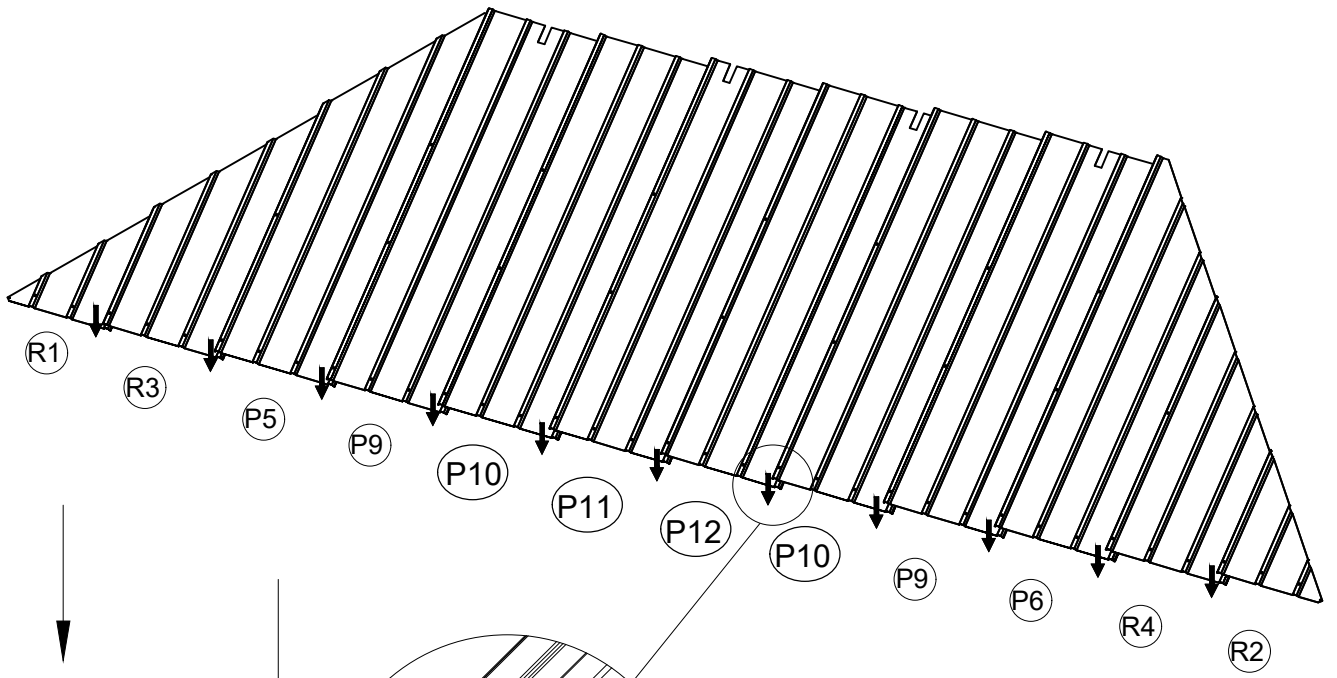


26

<22>

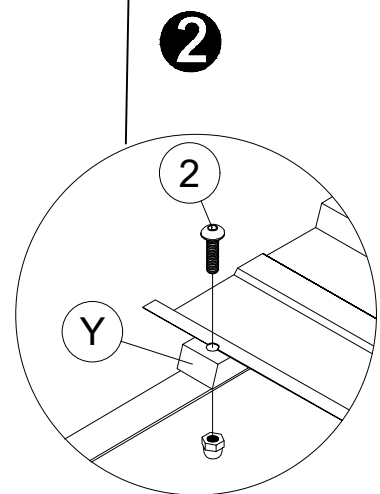
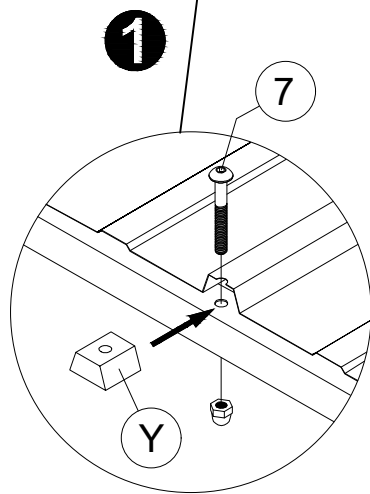
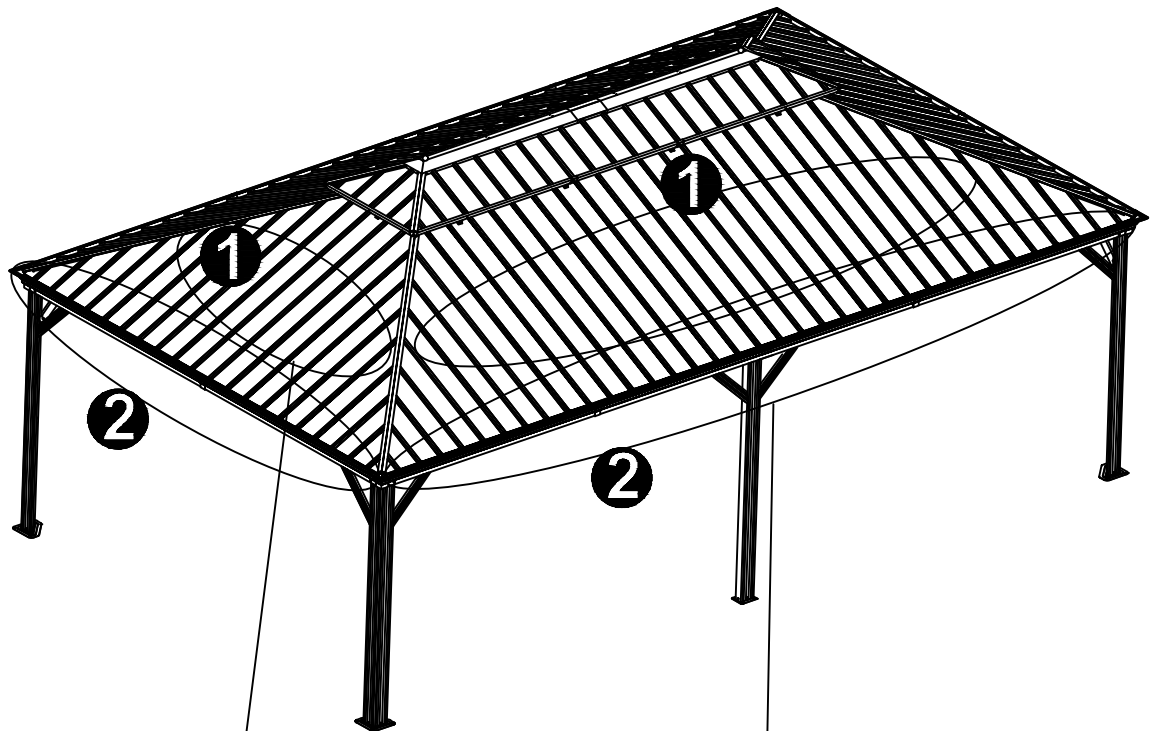


<23>



28

<24>



Y 154x



M6x23

2 110x

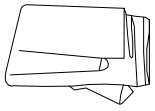


M6x47

7 44x

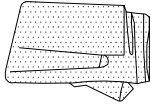
Note:

When installing the roof top plates, if the roof plates are slightly uneven, pls press the screws from the top of the plates until the bottom screw thread is exposed by 3 to 4mm, and then screw on the nut.

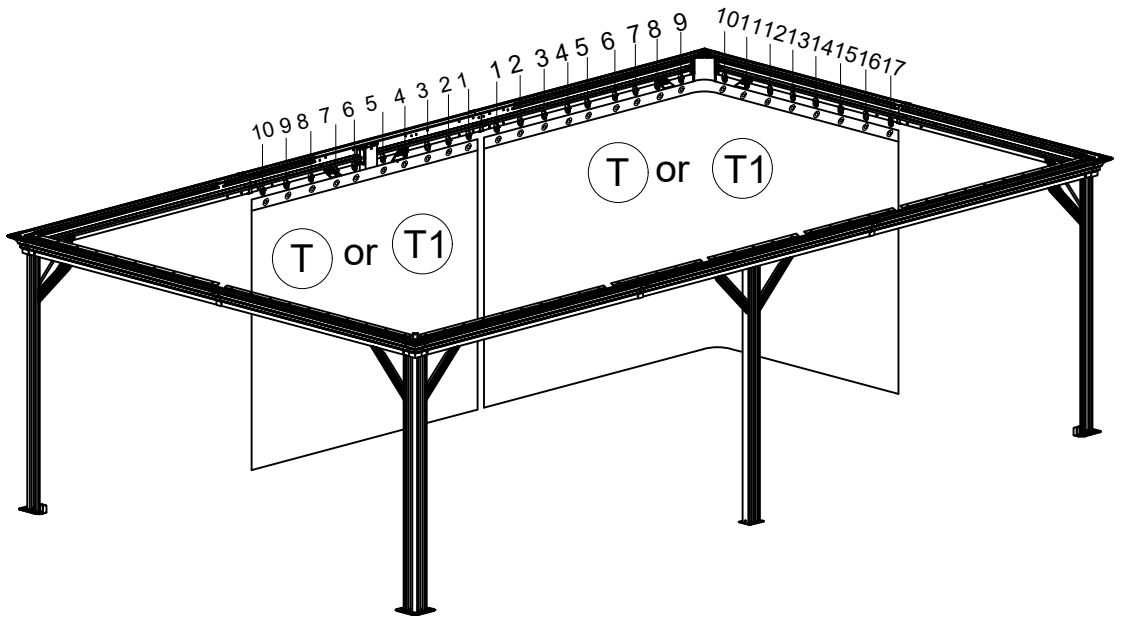
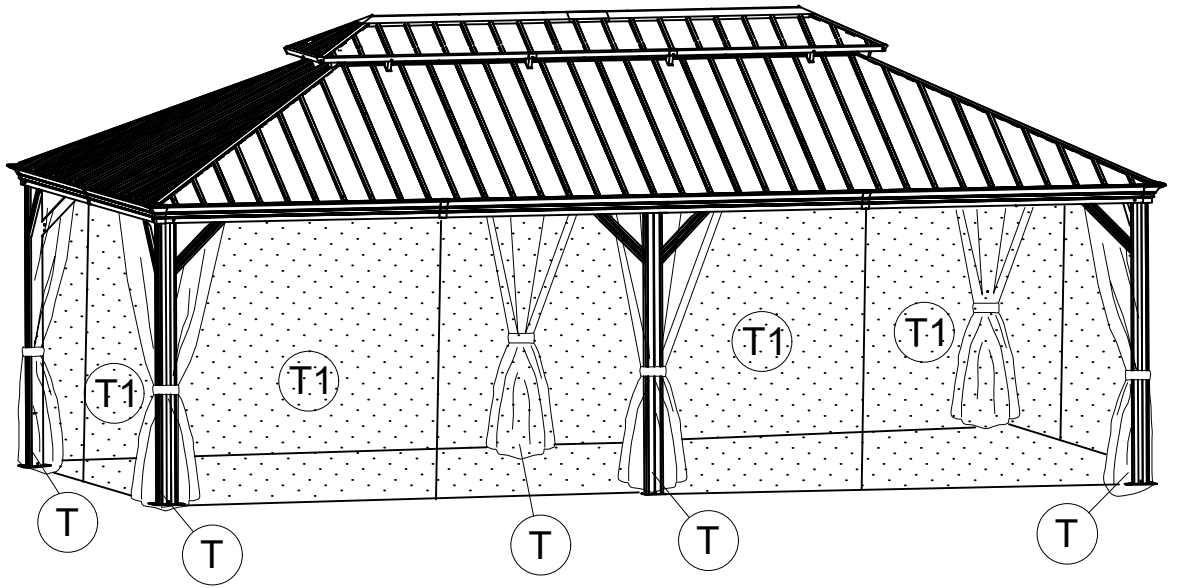
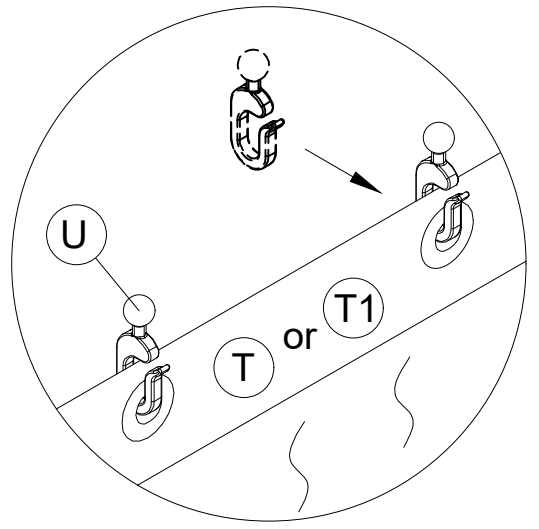
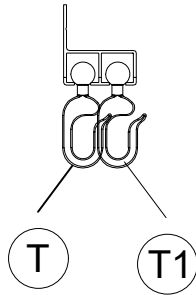


<25>

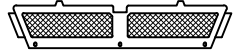
T 4x + 2x



T1 4x + 2x



<26>



V1 2x



V10a 2x



V10b 2x

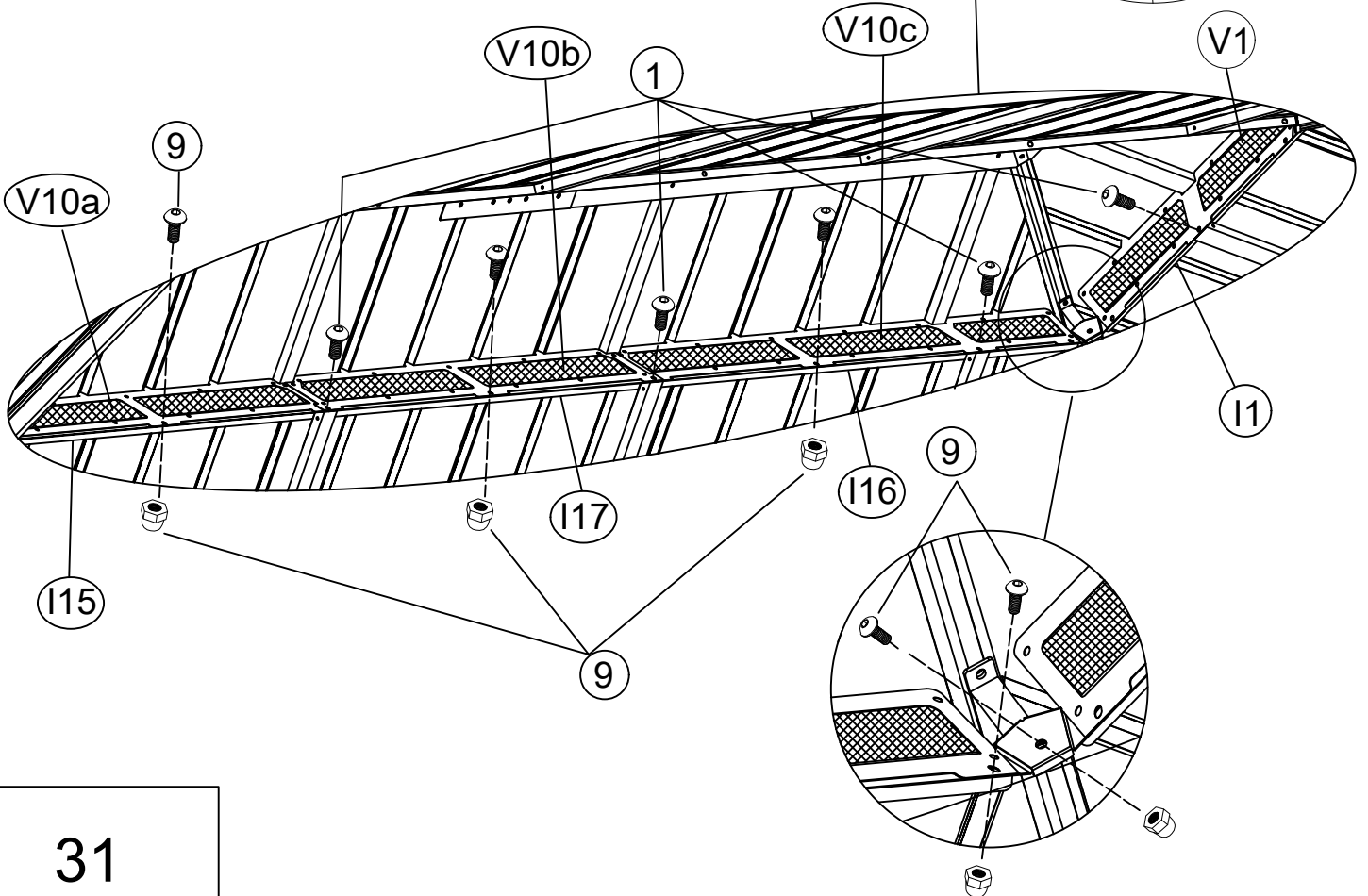
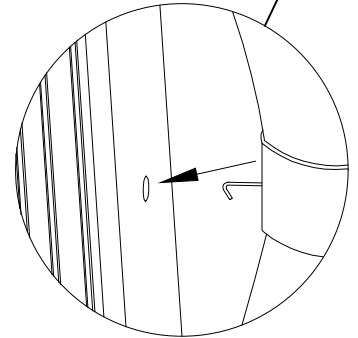
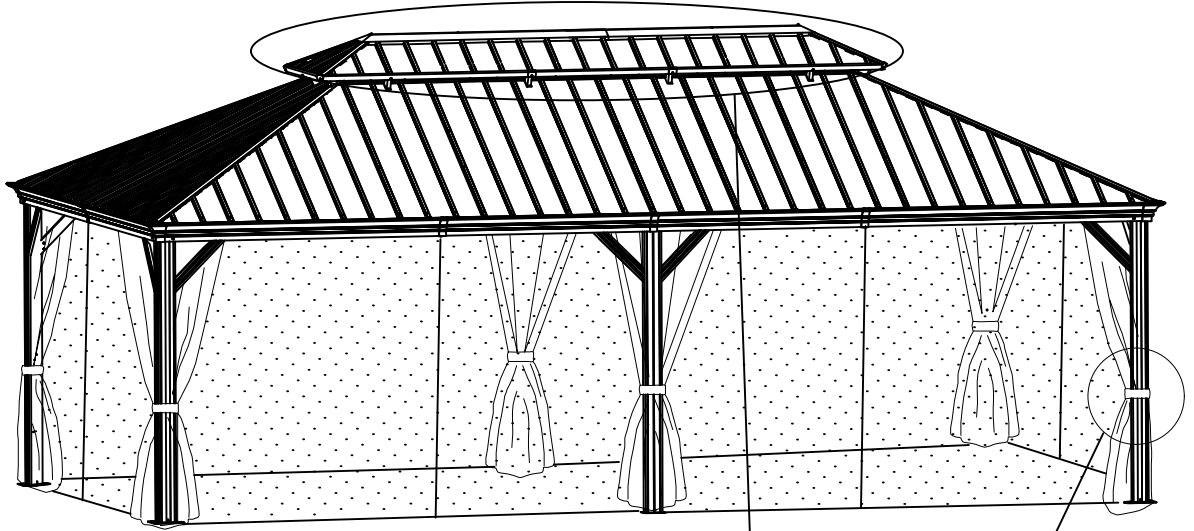


V10c 2x



M6x10

9 14x



Carton-1/7		Carton-2/7		Carton-4/7		Carton-5/7	
Part	Qty	Part	Qty	Part	Qty	Part	Qty
A	4	N	8	L8	2	Z	72
A3	2	N1	4	M8b	2	Z1	16
F7	8	V	6	L8b	1	Z2	8
F16	2	W	8	I1	2		
F17	2	W1	20	I17	2		
C3	2	W3	8	D29	2		
C4	2	W4	12	D30	2	Carton-6/7	
D13	4	W5	4	D31	2	Part	Qty
D14	4	Za	2	P	6	P10	4
				Y	154	P11	2
				U	176	P12	2
Carton-2/7				T	4 + 2	R1	4
Part	Qty	Carton-3/7		1.2.4.5.7.8. 9.10.11.12. 14.15	1	R2	4
B19	2	Part	Qty			R3	4
B20	2	B22	2			R4	4
B11	2	E4	4				
B12	2	E7	8				
E5	4	E8	1				
E8	1	C5	2	Carton-5/7			
F16	2	C6	2	Part	Qty	Carton-7/7	
G1	2	J	4	S3	10	Part	Qty
G15	2	H	4	F6	8	P5	4
G16	2	H1	4	F8	4	P6	4
G17	2	V1	2	F15	8	P9	6
I15	2	V10a	2	C15	2	S1	4
I16	2	V10b	2	C16	2	S2	4
J1	2	V10c	2	H3	2		
K	4			H4	2		
K1	6			T1	4 + 2		