

ASSEMBLY INSTRUCTIONS

LADDER BACK SIDE CHAIR

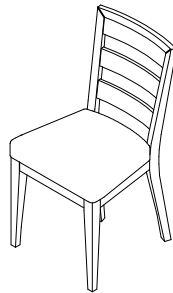
Thank you for purchasing this product. Be sure to check all packing material carefully for small parts that may have come loose inside the carton during shipment.

Before You Assemble: Please read all instructions carefully before beginning assembly.

It is recommended that 2 people work together during assembly to prevent personal injury and to ensure that heavy or cumbersome parts are not damaged during the process.

CAUTION: For your safety, this product requires two people to lift.

TOOLS REQUIRED (NOT PROVIDED):
PHILLIPS SCREWDRIVER



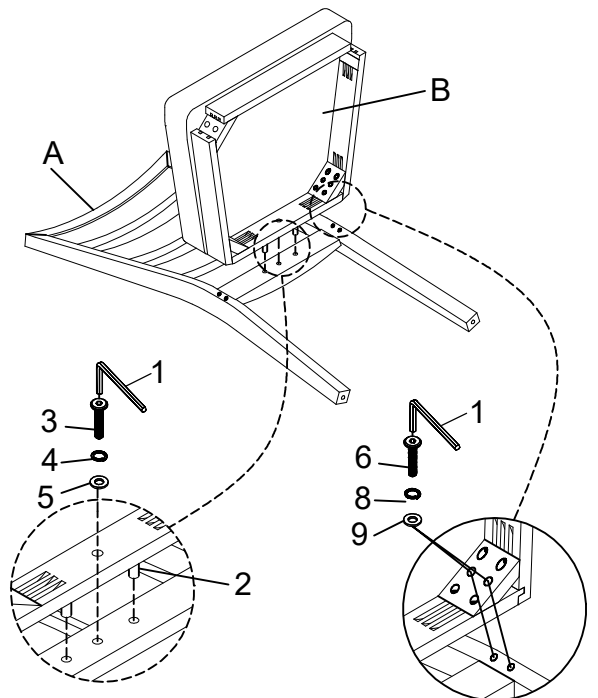
PARTS LIST:

NO	DESCRIPTION	SKETCH	QTY
A	BACK FRAME		1PC
B	SEAT FRAME		1PC
C	LEGS		2PCS

HARDWARE PACKAGE:

NO	DESCRIPTION	SKETCH	SIZE	QTY
1	Allen key		4*59*25mm	1 pcs
2	Wood Dowel		Ø10*30mm	2 pcs
3	Short Bolt		Ø1/4*40mm	1 pcs
4	Spring Washer		Ø1/4	1 pcs
5	Flat Washer		Ø1/4*19mm	1 pcs
6	Long Bolt		Ø5/16*75mm	4 pcs
7	Medium Bolt		Ø5/16*50mm	4 pcs
8	Spring Washer		Ø5/16	8 pcs
9	Flat Washer		Ø5/16*19mm	8 pcs

STEP 1 Place the back frame (A) upside down on a soft surface such as a carpet to protect against scratches. Attach the seat to frame (B) by using allen key (1) wood dowel (2) short and long bolts (3&6) spring washer (4&8) and flat washer (5&9).



STEP 2 Attach the legs (C) to the seat frame (B) using allen key (1) medium bolt (7) spring washer (8) and flat washer (9).

