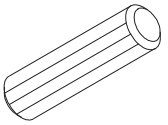
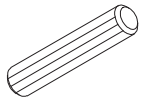
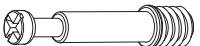
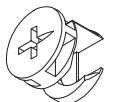
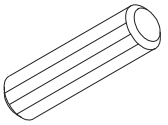
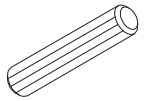
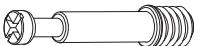
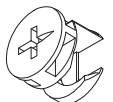
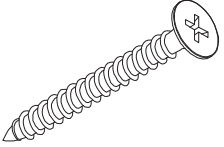

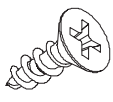
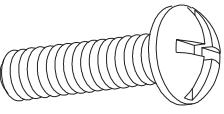
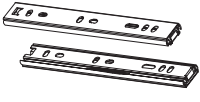
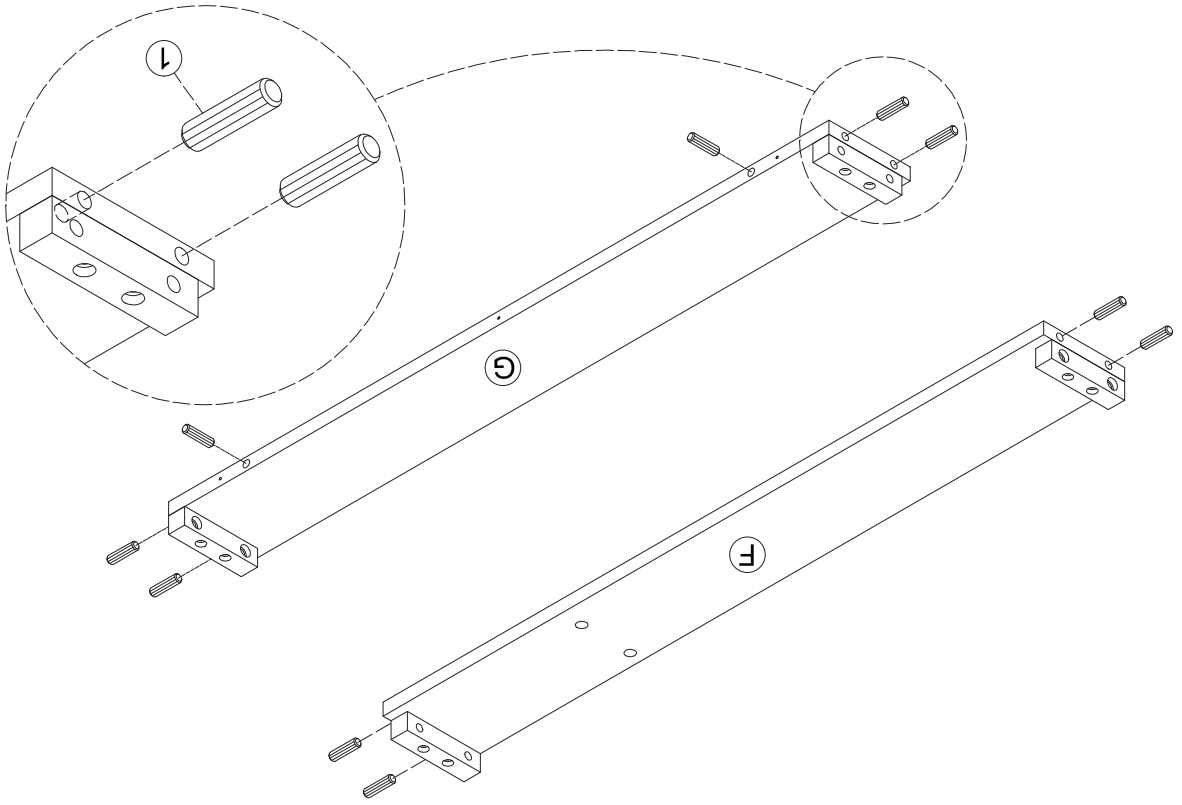


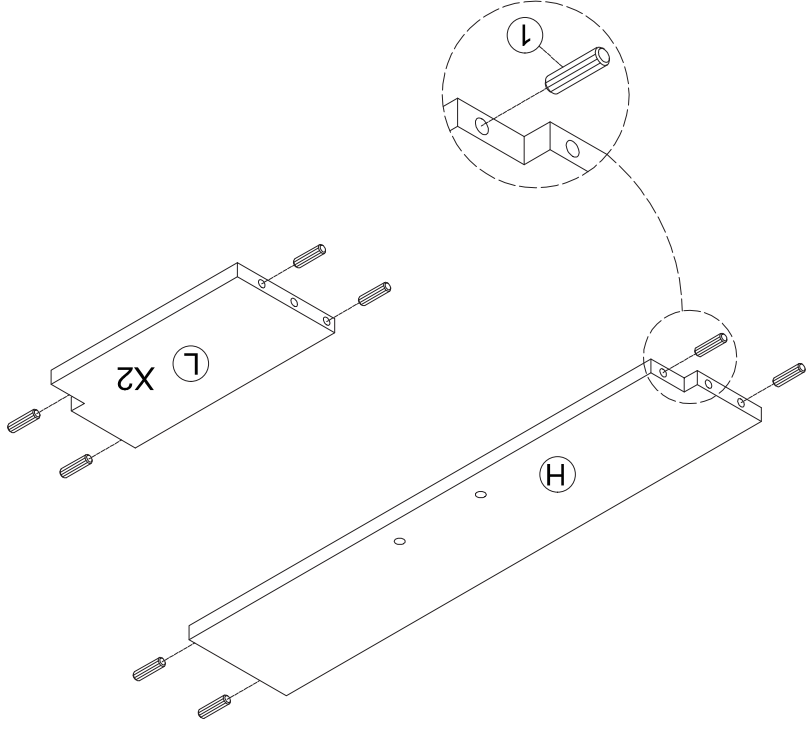
HARDWARE CONTENTS			
1	Ø8*30mm	28+2PCS	
2	Ø6*30mm	12+1PCS	
3	Ø6*33mm	30+2PCS	
4	Ø15*9mm	30+2PCS	
5	Ø8*30mm	28+2PCS	
6	Ø6*30mm	12+1PCS	
7	Ø6*33mm	30+2PCS	
8	Ø15*9mm	30+2PCS	
9	Ø4*25mm	6PCS	
10	D7*Ø3.5*12mm	24+2PCS	
11	Ø3*10mm	36+2PCS	
12	1/4"*25mm	22+2PCS	
	14"*35mm	3Set	

PACKAGE CONTENTS			
PART	DESCRIPTION	QTY	
A	Sink	X1	
B	Left Side Board	X1	
C	Right Side Board	X1	
D	Middle Panel	X1	
E	Bottom Board	X1	
F	Back Upper Rail	X1	
G	Back lower Rail	X1	
H	Front Left Panel	X1	
I	Front Board		
PART	DESCRIPTION	QTY	
K	Left Door	X1	
K1	Right Door	X1	
L	Front Right Panel	X2	
M	Drawer Front Lower Panel	X2	
N	Drawer Front Upper Panel	X1	
O	Drawer Left Panel	X3	
P	Drawer Right Panel	X3	
Q	Drawer Back Panel	X3	
R	Drawer Bottom Panel	X3	

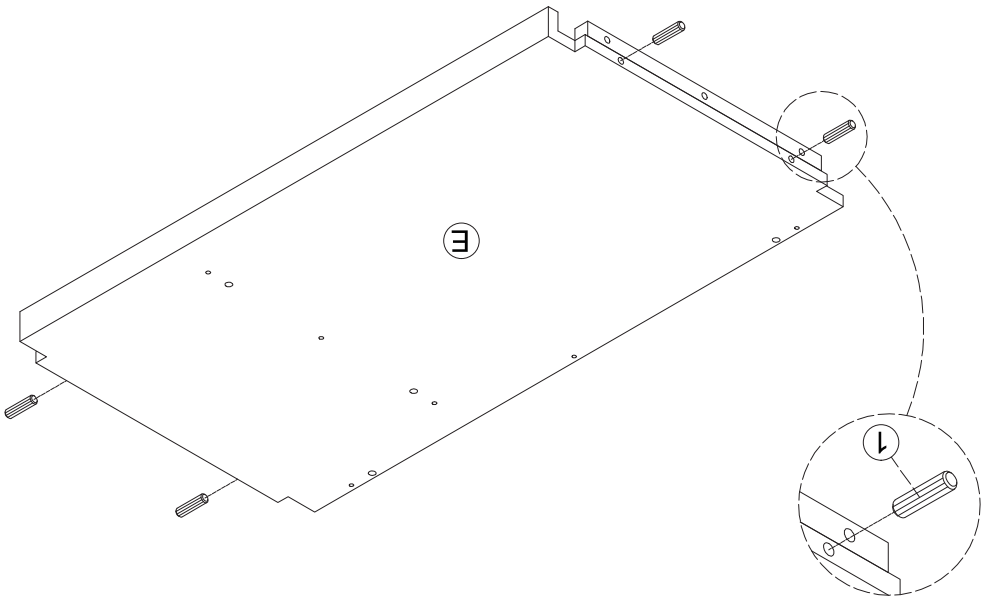
# STEP 1



# STEP 2



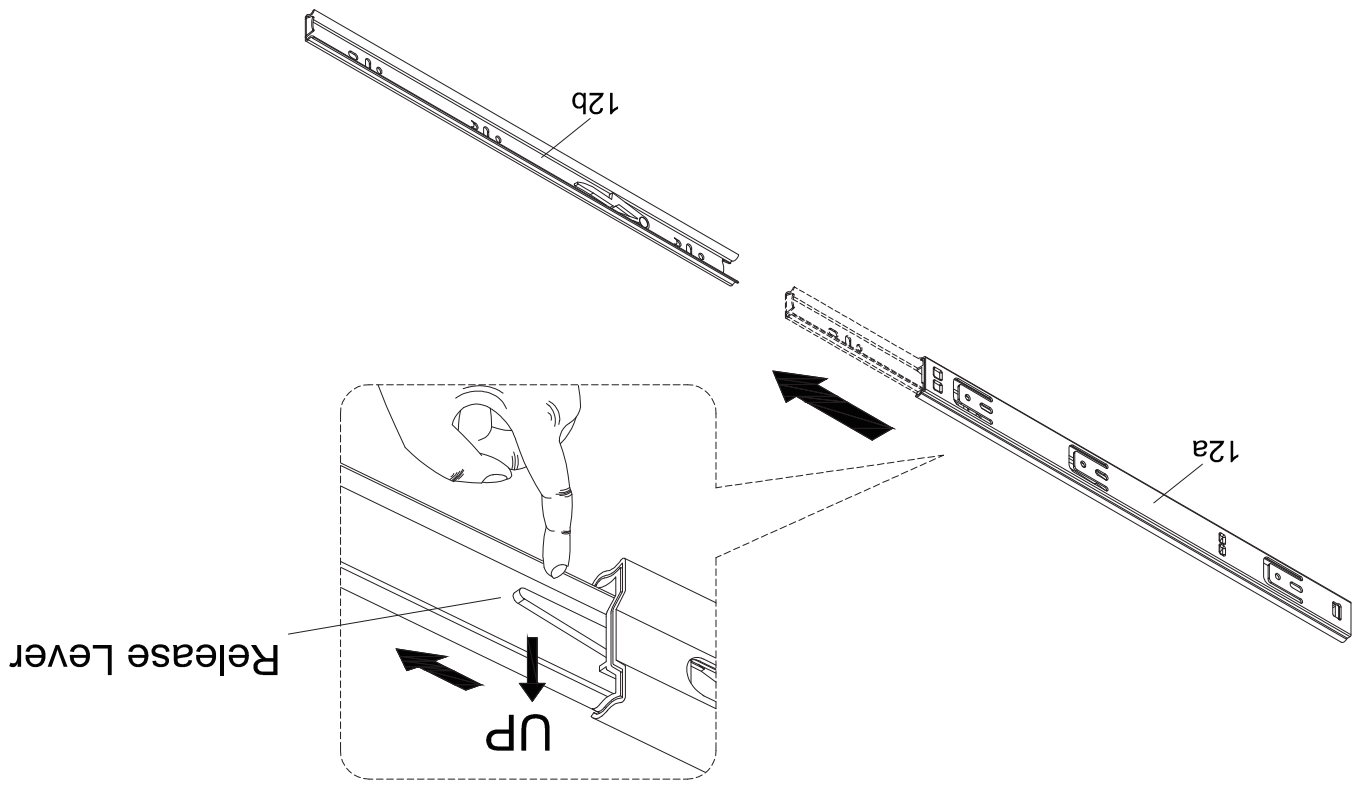
STEP 3



1 x 4pcs



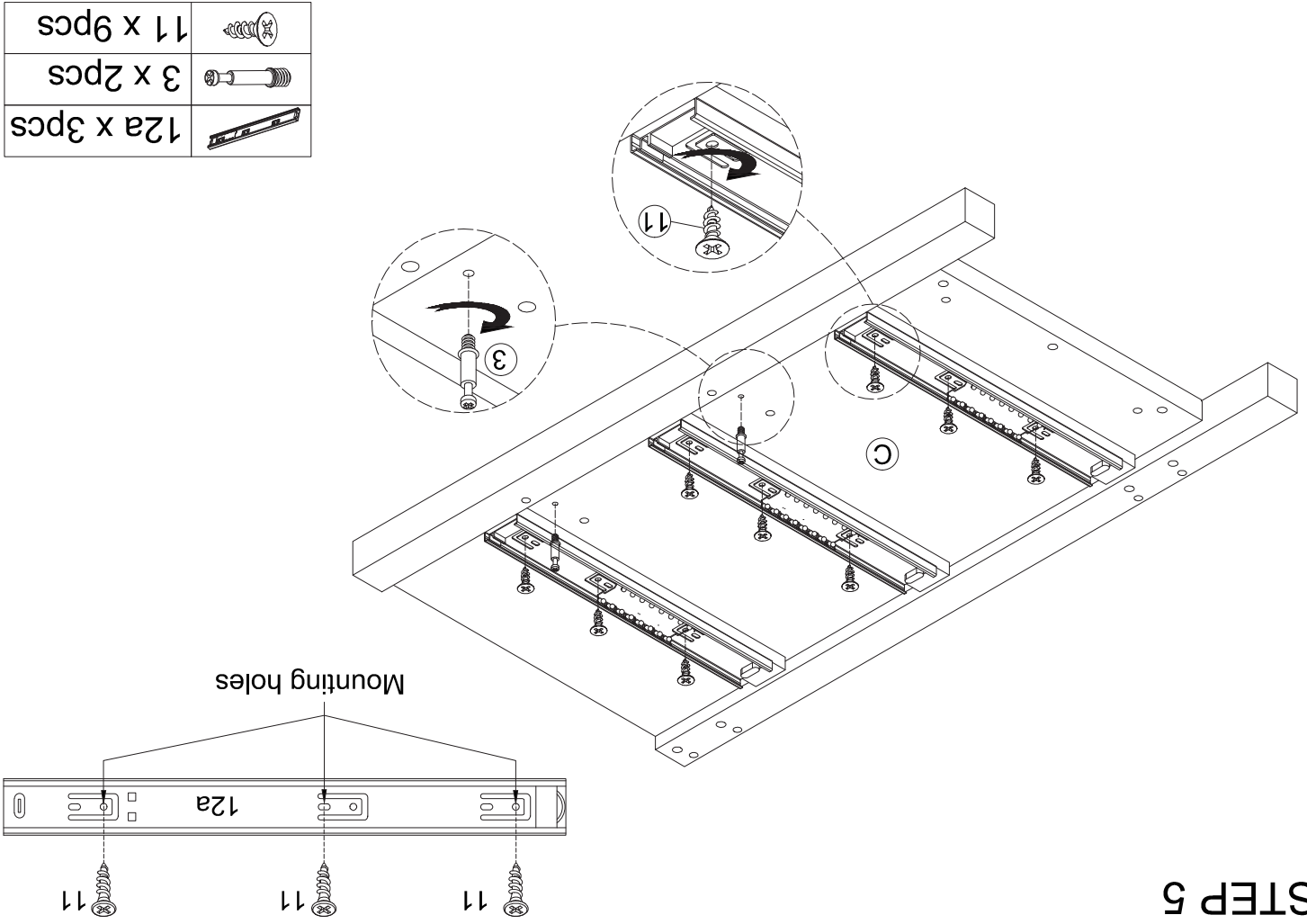
STEP 4



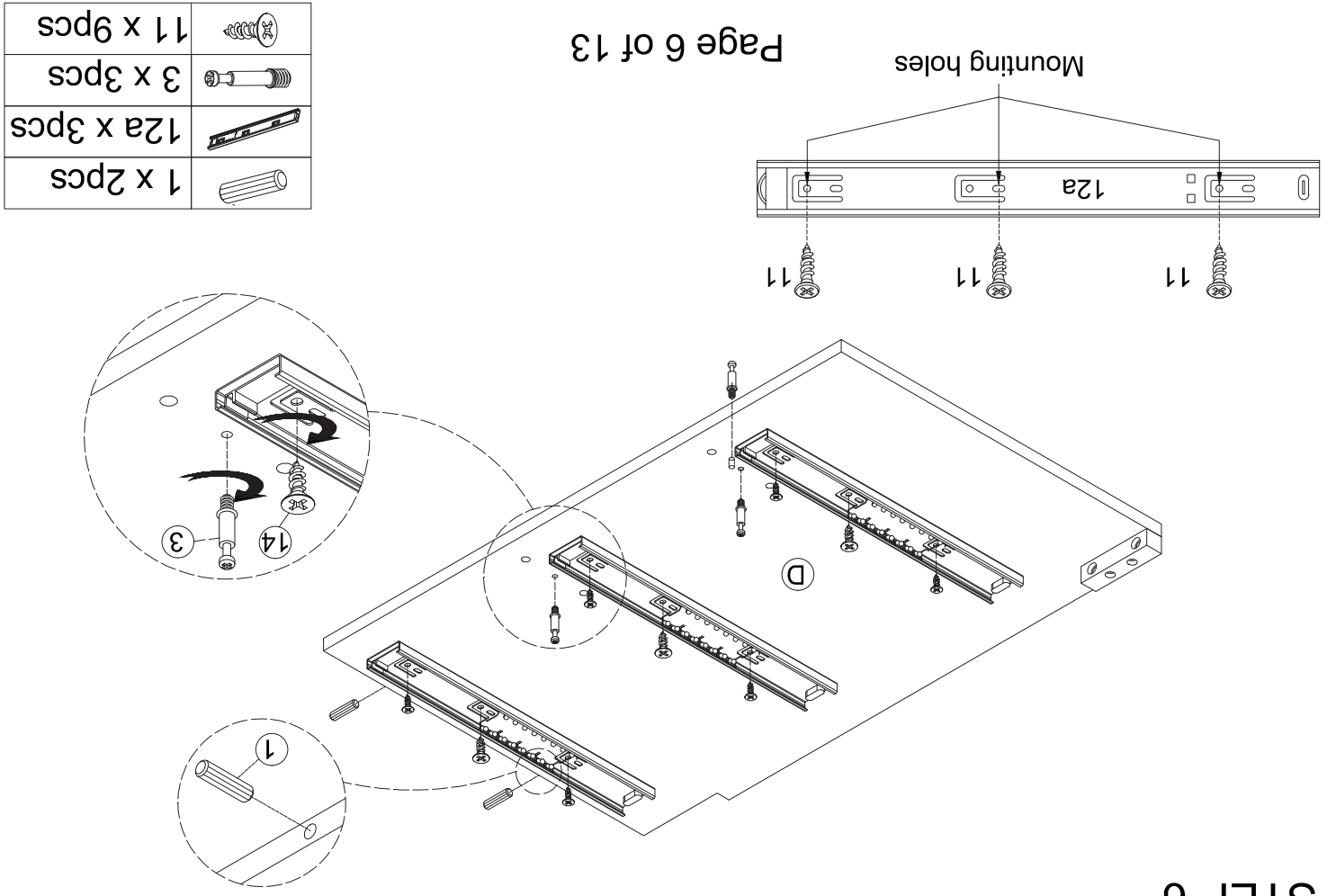
12 x 3set



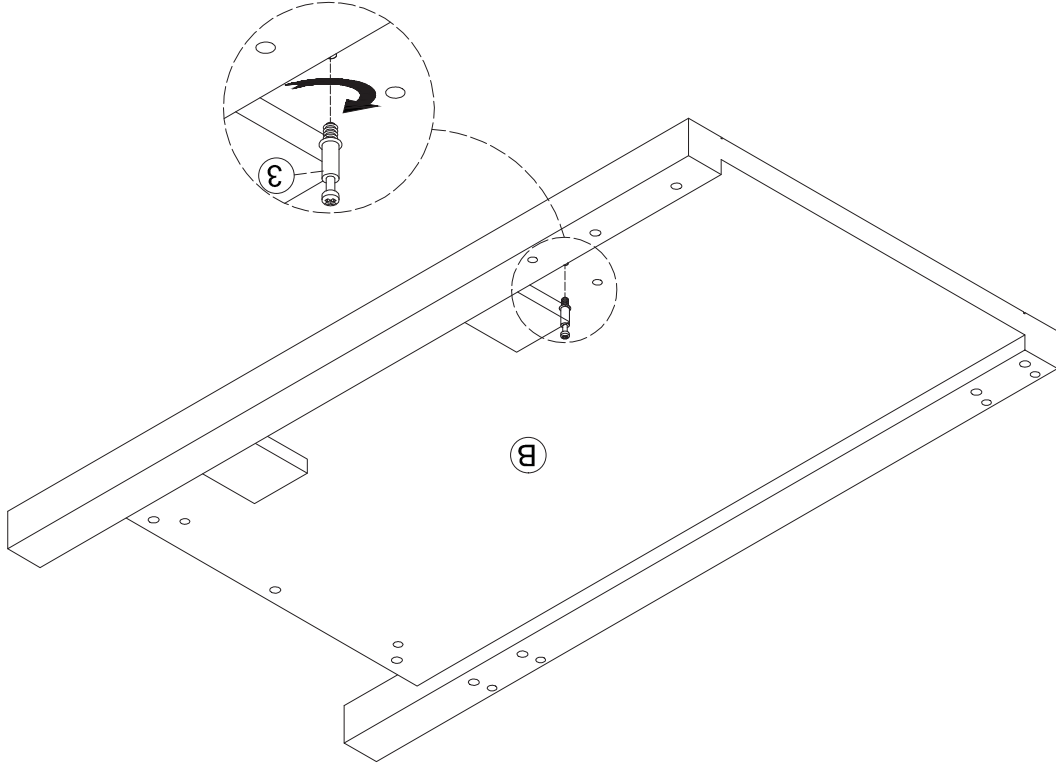
# STEP 5



# STEP 6

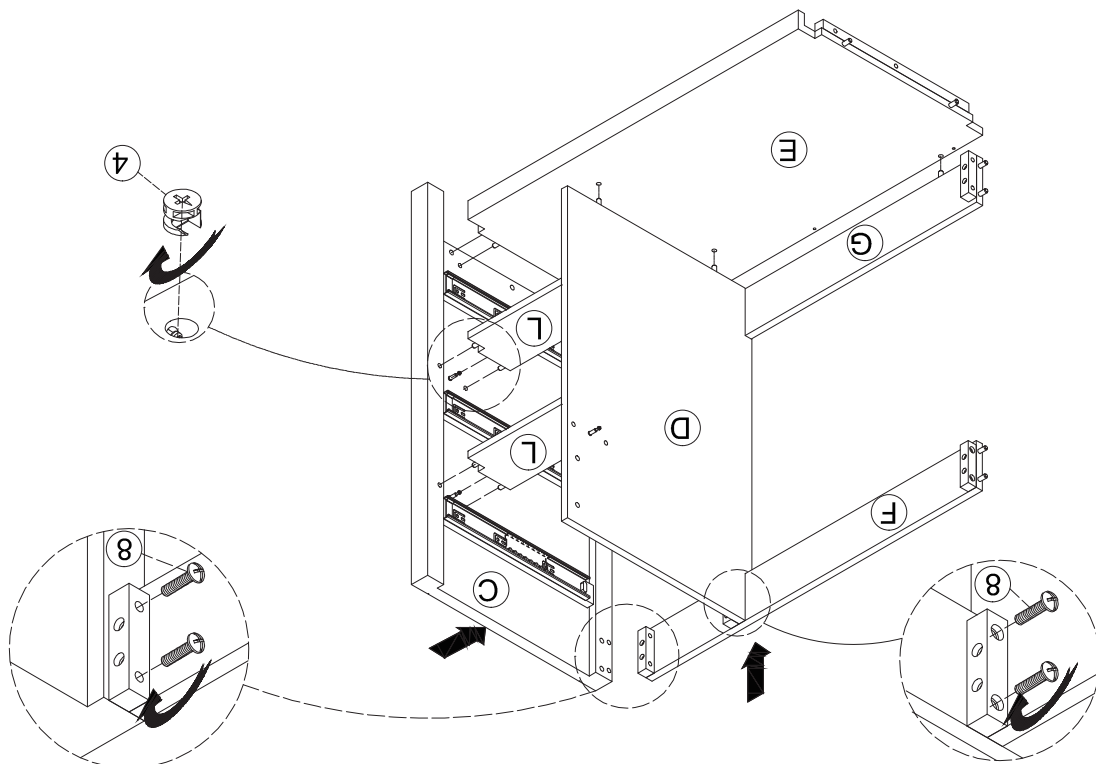


STEP 7



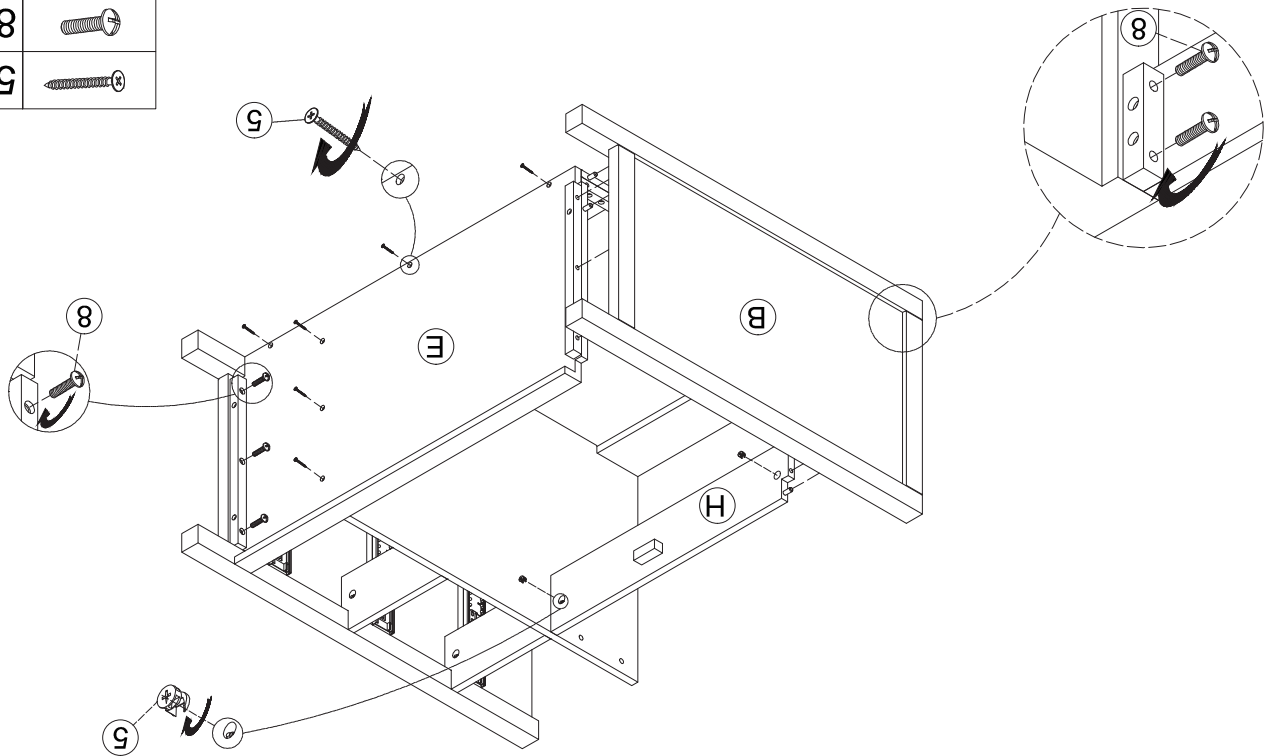
3 x 1pc	
---------	--

STEP 8



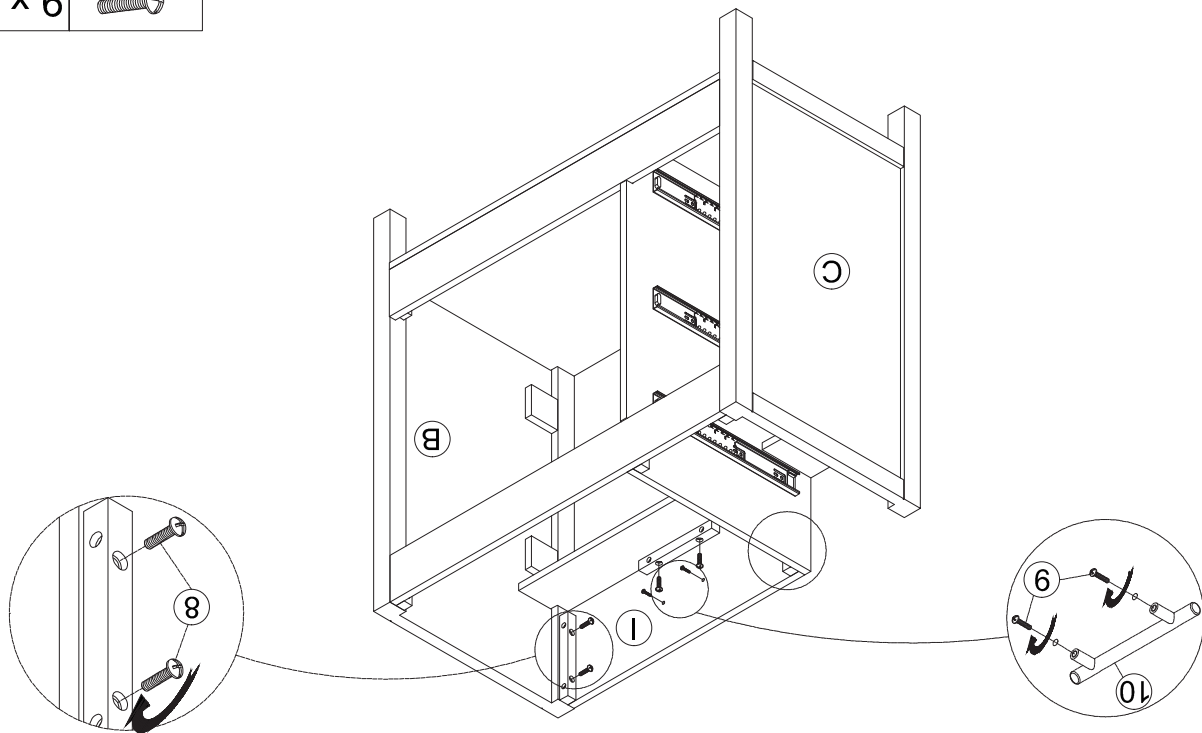
8 x 6pcs	
4 x 4pcs	

# STEP 9



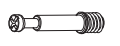
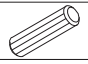
5 x 6pcs	
8 x 10pcs	
4 x 2pcs	

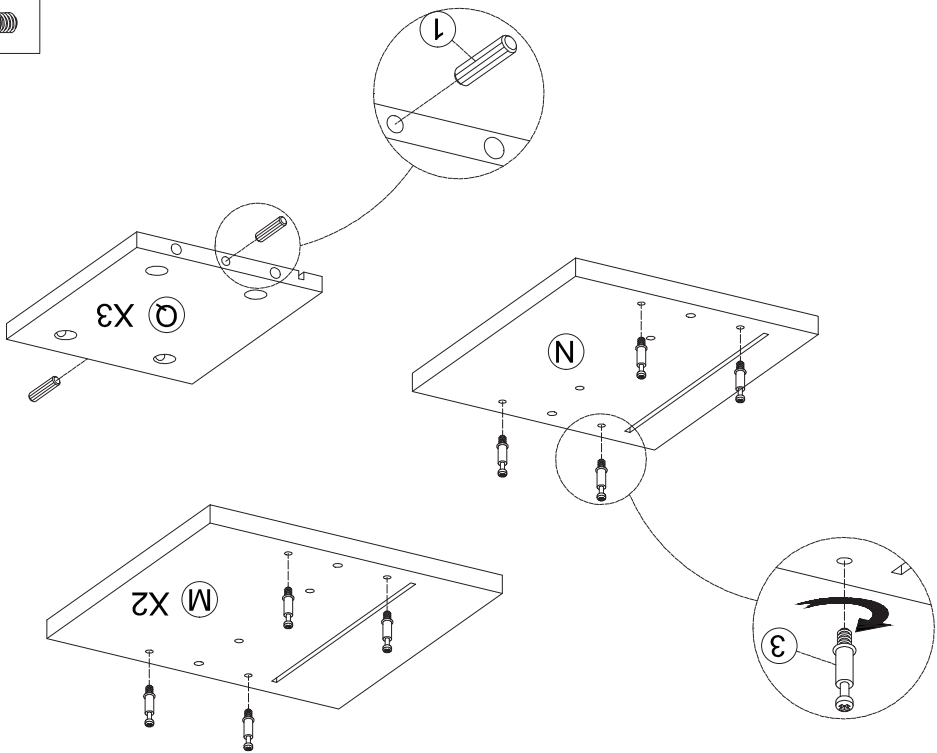
# STEP 10



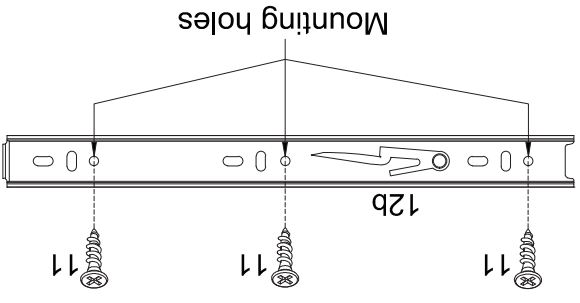
9 x 2pcs	
10 x 1pc	
8 x 6pcs	



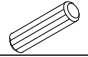
# STEP 11

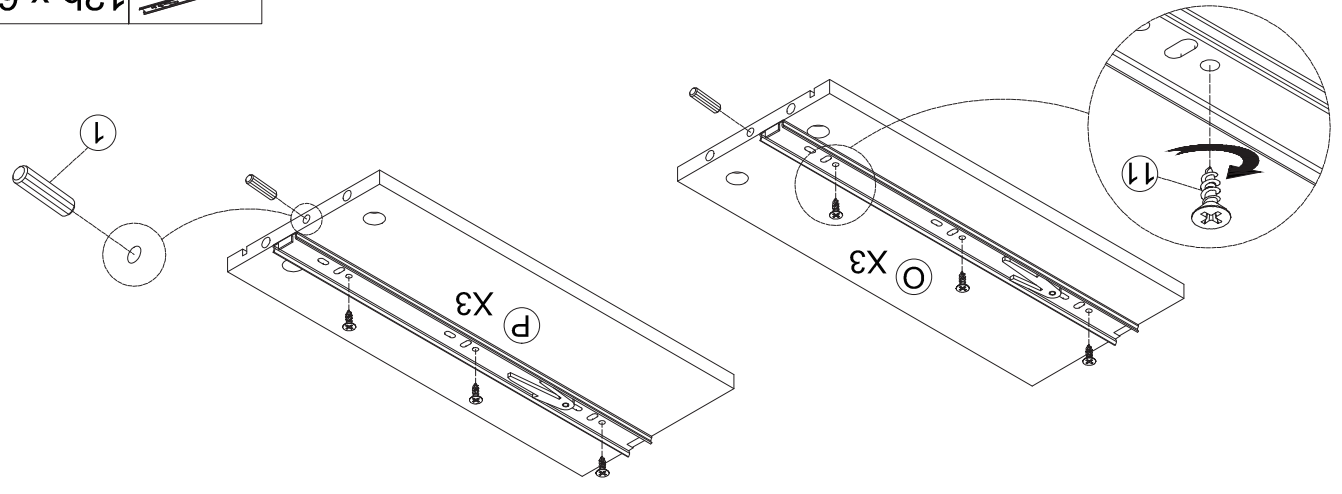
	3 x 12pcs
	2 x 6pcs



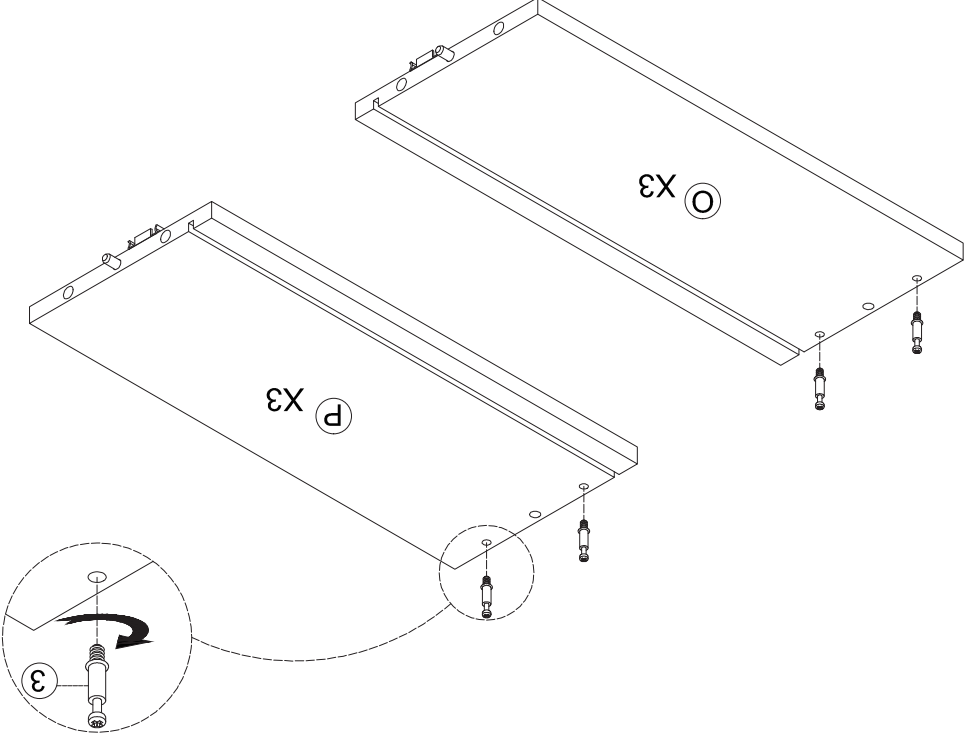
# STEP 12

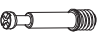


	12b x 6pcs
	11 x 18pcs
	2 x 6pcs

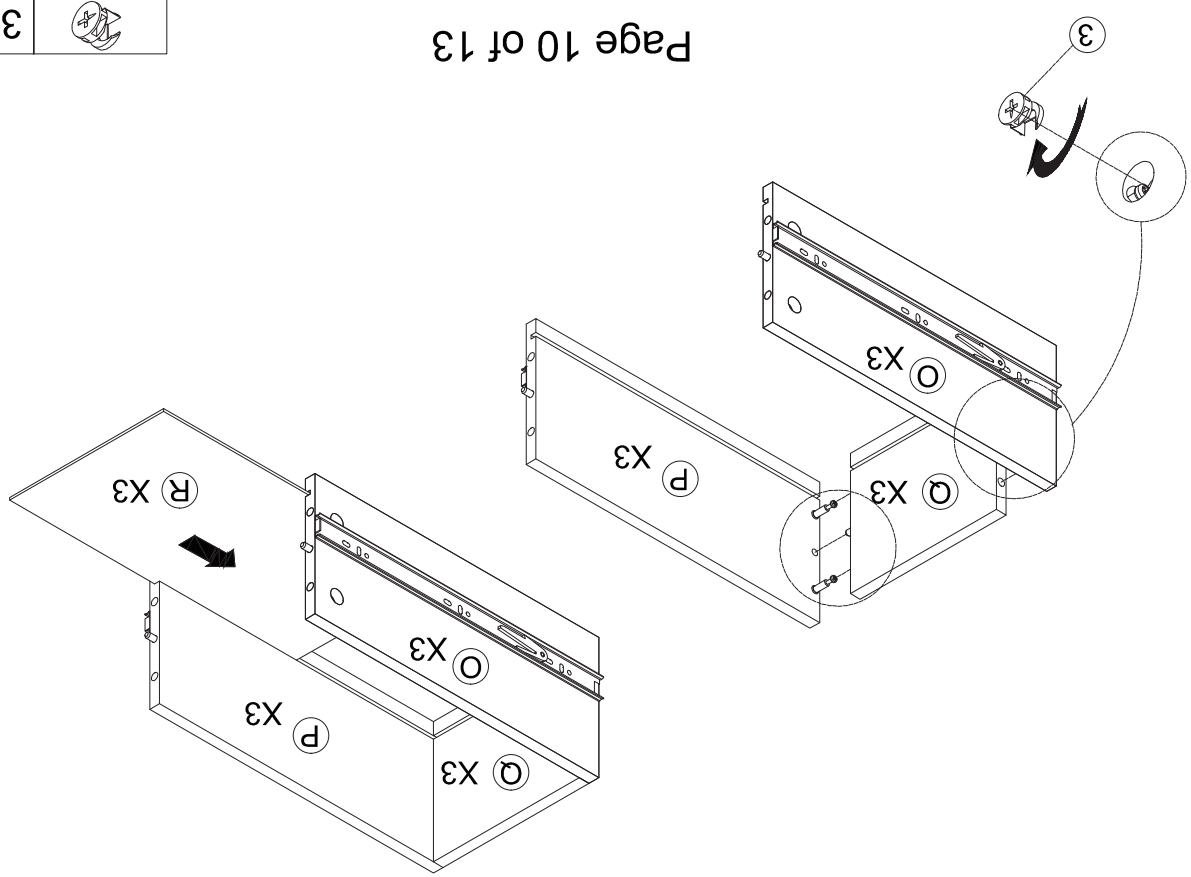



STEP 13



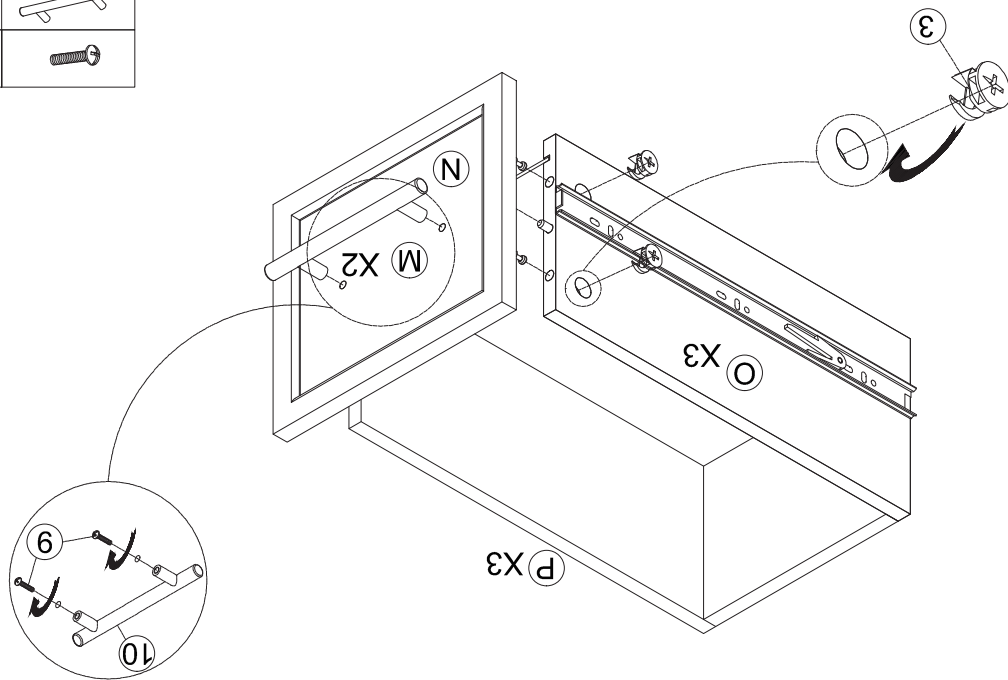
3 x 12pcs 

STEP 14



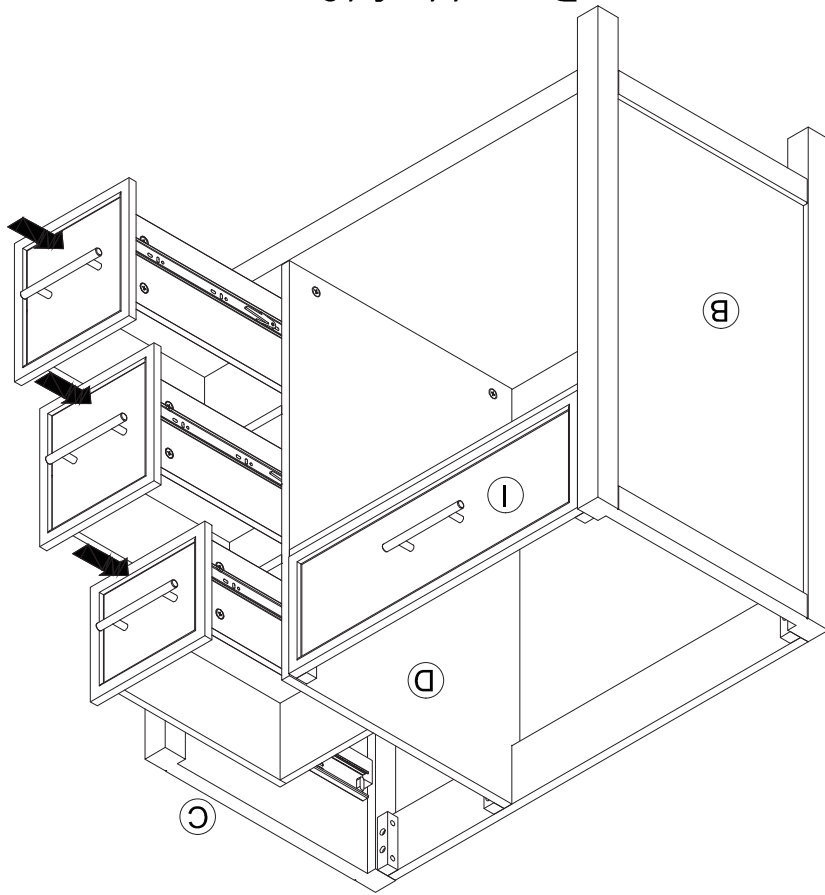
3 x 12pcs 

STEP 15

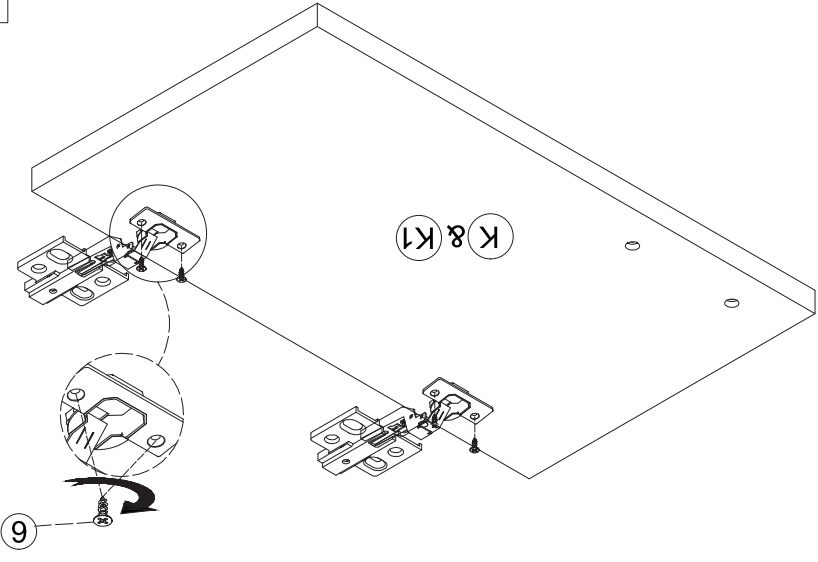


9 x 6pcs	
10 x 3pc	
3 x 12pcs	

STEP 16



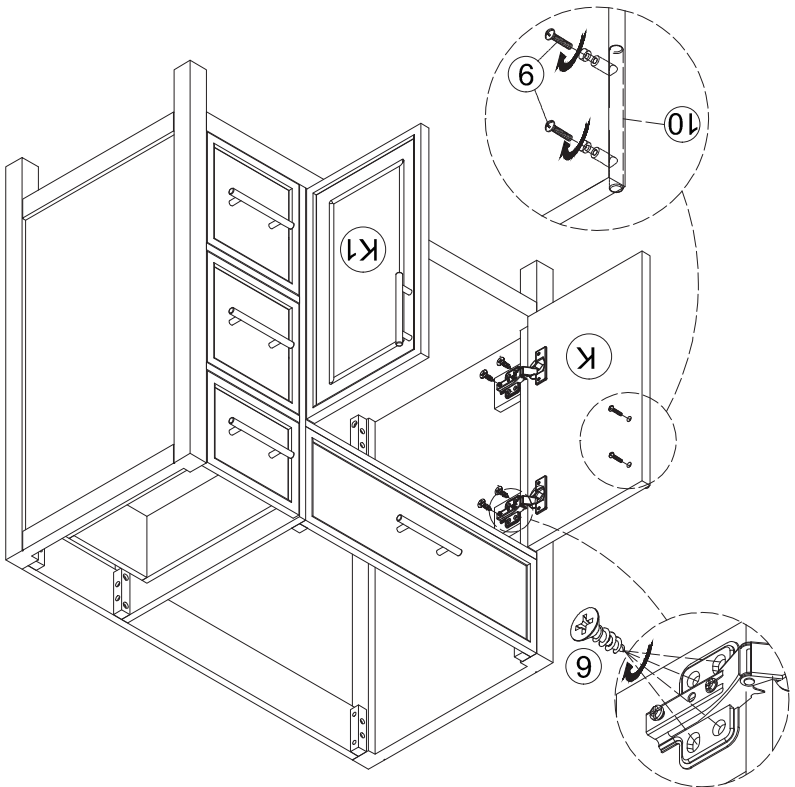
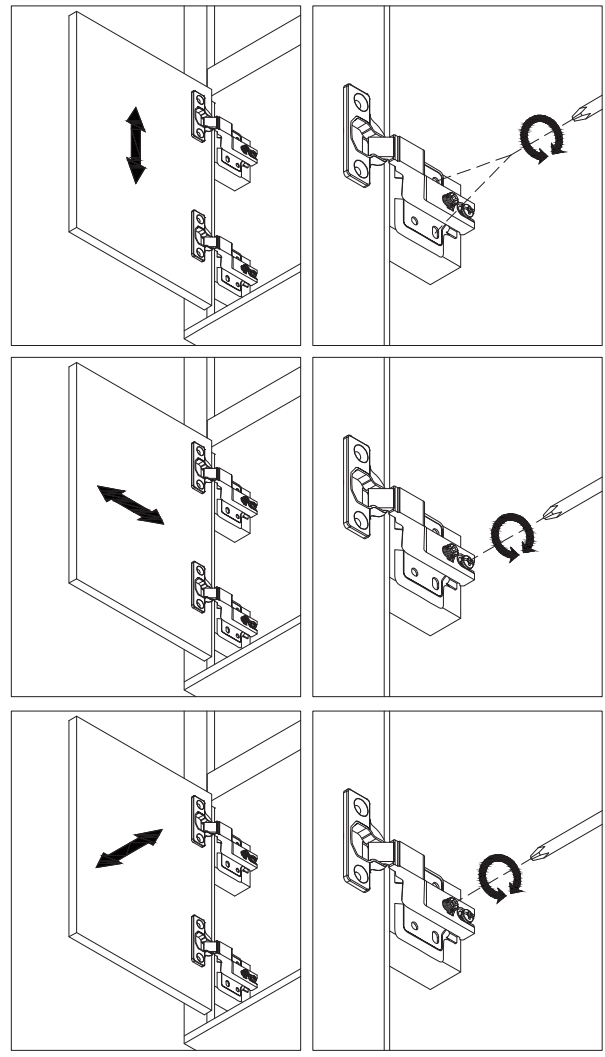
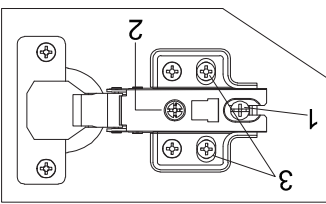
# STEP 17



7 x 4pcs	
6 x 8pcs	

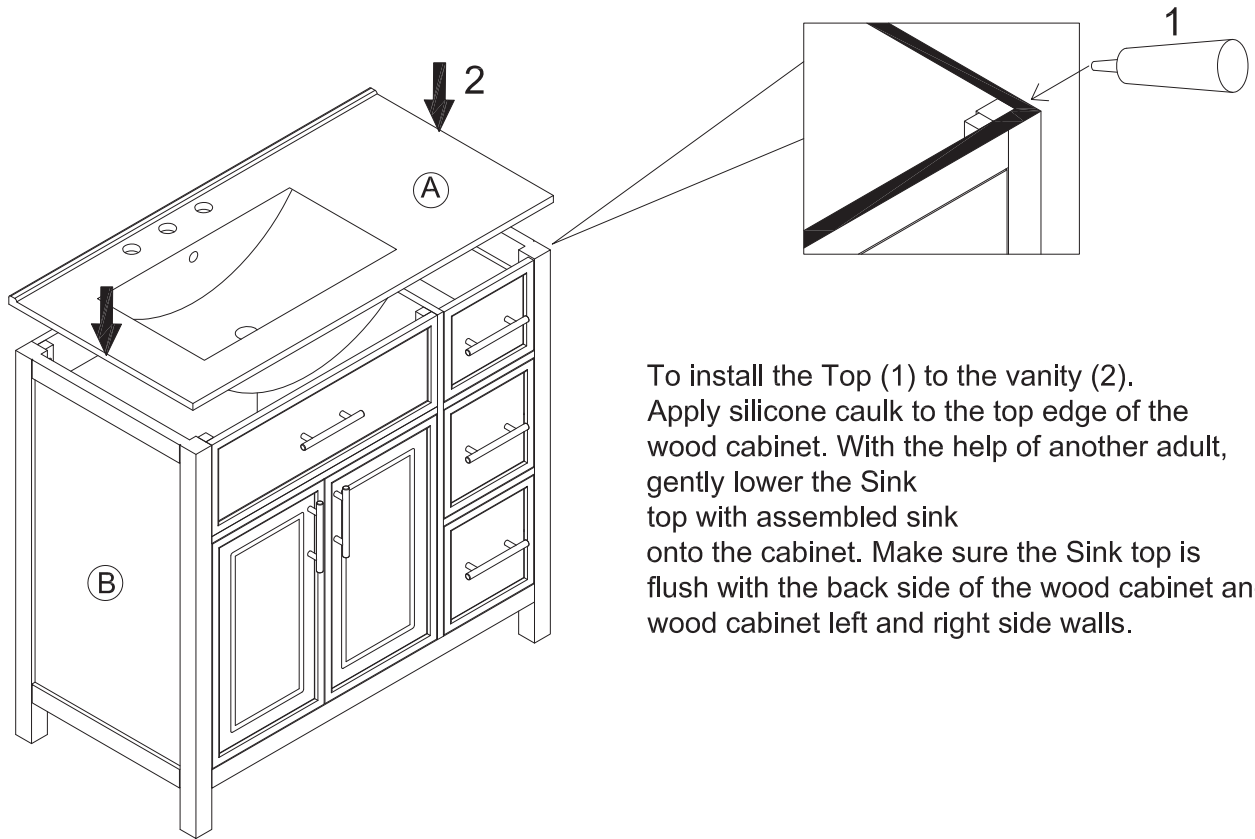
# STEP 18

Three-way adjustable hinge for perfectly aligned doors  
 1. TO ADJUST DOOR FORWARD OR BACKWARD.  
 2. TO ADJUST DOOR TO RIGHT OR TO LEFT.  
 3. TO ADJUST DOOR UP OR DOWN.



6 x 16pcs	
9 x 4pcs	
10 x 2pcs	

## STEP 19



To install the Top (1) to the vanity (2). Apply silicone caulk to the top edge of the wood cabinet. With the help of another adult, gently lower the Sink top with assembled sink onto the cabinet. Make sure the Sink top is flush with the back side of the wood cabinet and the wood cabinet left and right side walls.

## STEP 20

