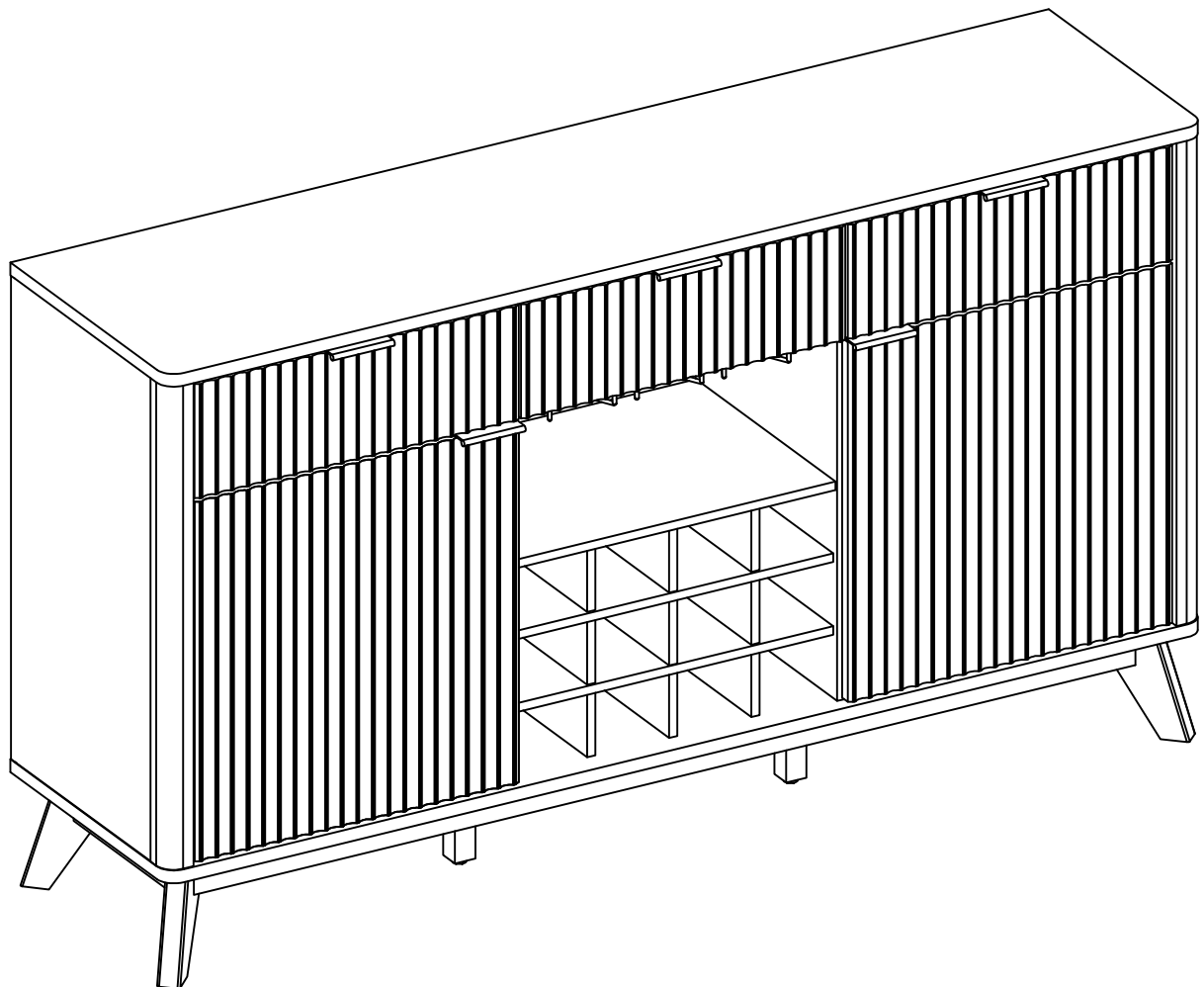


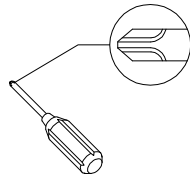
# Assembly Instructions



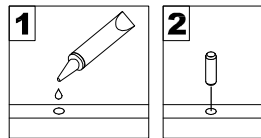
Date 2024-10-12 Rev.01-A

# General Assembly Guidelines

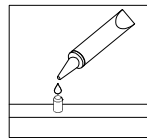
- I. Ensure that all parts and hardware are available before beginning assembly.
- II. Follow each step carefully to ensure the proper assembly of this product.
- III. Two people are recommended for ease in the assembly of this product.
- IV. A Phillips head screwdriver is required for the assembly of this product .



- V. The provided glue is to secure wood dowels in place . When first inserting dowels , locate the appropriate hole for the dowel , place a small amount of glue in the hole and insert the dowel . Wipe away excess glue immediately.

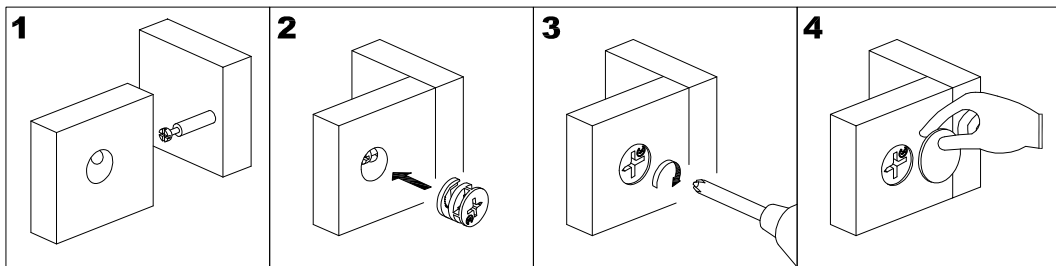


In future assembly steps when dowels are necessary to attach assembly parts together , place a small amount of glue on the end of the dowel before attaching parts together . Wipe away excess glue immediately.

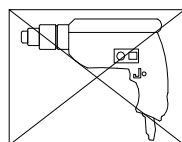


## VI HOW THE KNOCK DOWN (KD) ASSEMBLY SYSTEM WORKS

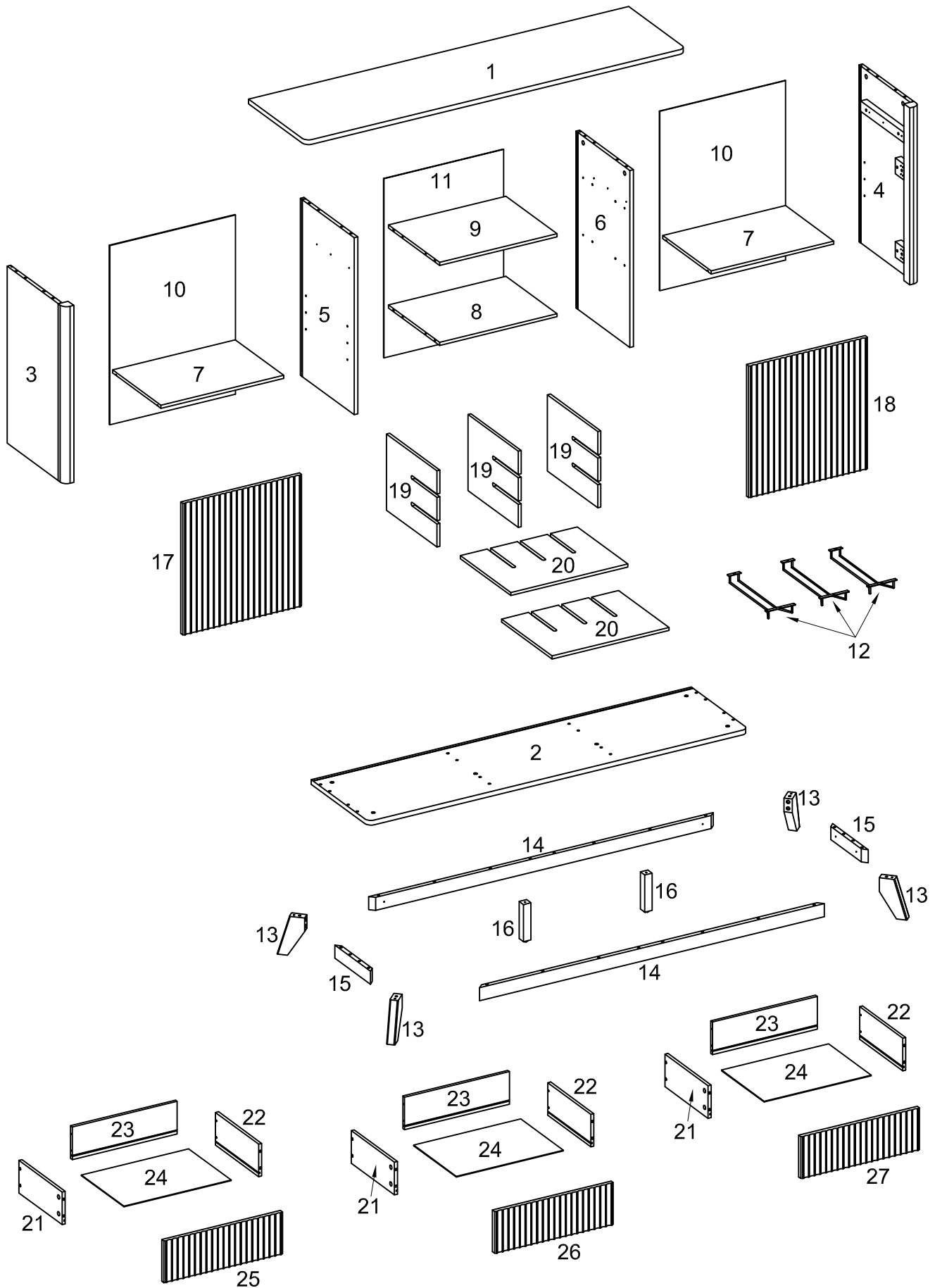
- 1.Screw the Cam Bolt into the pre-drilled hole on the panel. Make sure Cam Bolt goes into the pre-drilled hole on the end of panel for Cam Lock.
- 2.Insert the Cam Lock into the pre-drilled large hole on the panel. Make sure the arrow on the face of Cam Lock points towards Cam Bolt.
- 3.Take a Phillips screwdriver and rotate the Cam Lock clockwise to lock the Cam Bolt.
- 4.Use the sticker to conceal the Cam.




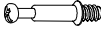


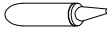



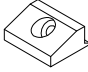
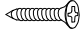




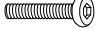
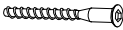

- VII. Power tools should not be used to assemble this product .

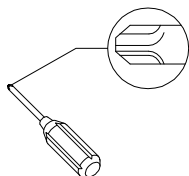


# Parts List



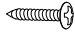
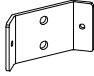
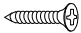
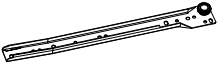

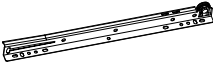
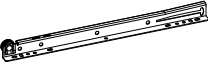
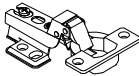


# Hardware List

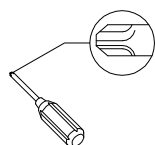
A		Ø8x30mm	Large Dowel	32 pcs
B		Ø6x35mm	Cam bolt	28 pcs
C		Ø15x11mm	Large Cam lock	8 pcs
D		Ø30mm	Cam cover	28 pcs
E			Glue	1 pcs
F		Ø5x16mm	Shelf support pin	8 pcs
G		Ø3.5x14mm	Screw	10 pcs
H			Knob	5 pcs
J			Plastic wedge	24 pcs
K		Ø3x17mm	Flat-head screw	24 pcs
L		Ø15x9mm	Small cam lock	20 pcs
M		Ø4x38mm	Screw	12 pcs
N		Ø6x55mm	Bolt	12 pcs
P		M 4	Allen Wrench	1 pc
Q		Ø6x28mm	Bolt	8 pcs
R		Ø6x50mm	Screw	14 pcs
S			Tipping Restraint Hardware	2 set



Philips head screwdriver required for assembly  
(not included)

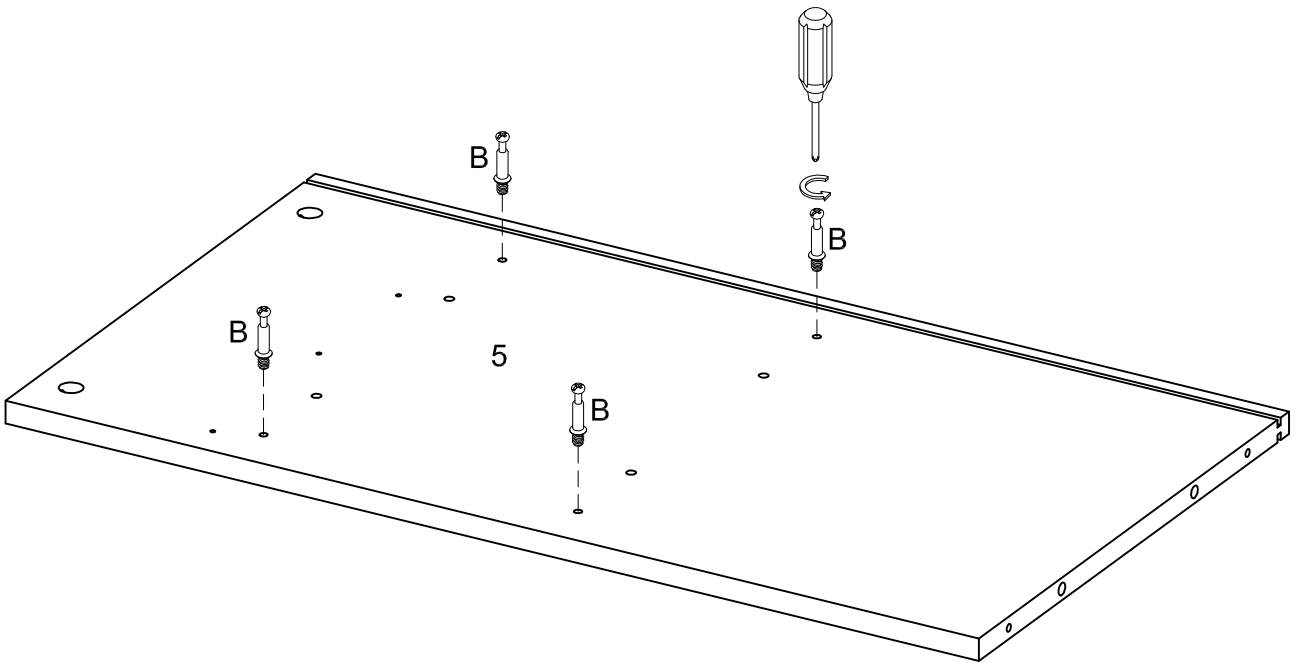
# Hardware List

T		Ø5x14mm	Screw	8 pcs
U			Angle Bracket	4 pcs
V		Ø3.5x12mm	Screw	42 pcs
W		12"	Left Glide Track	3 pcs
X		12"	Right Glide Track	3 pcs
Y		12"	Left Glide Runner	3 pcs
Z		12"	Right Glide Runner	3 pcs
AA		Ø35mm	Europe Hinge	4 pcs
BB		Ø3.5x14mm	Hinge screw	24 pcs
CC		Ø6x30mm	Small dowel	8 pcs

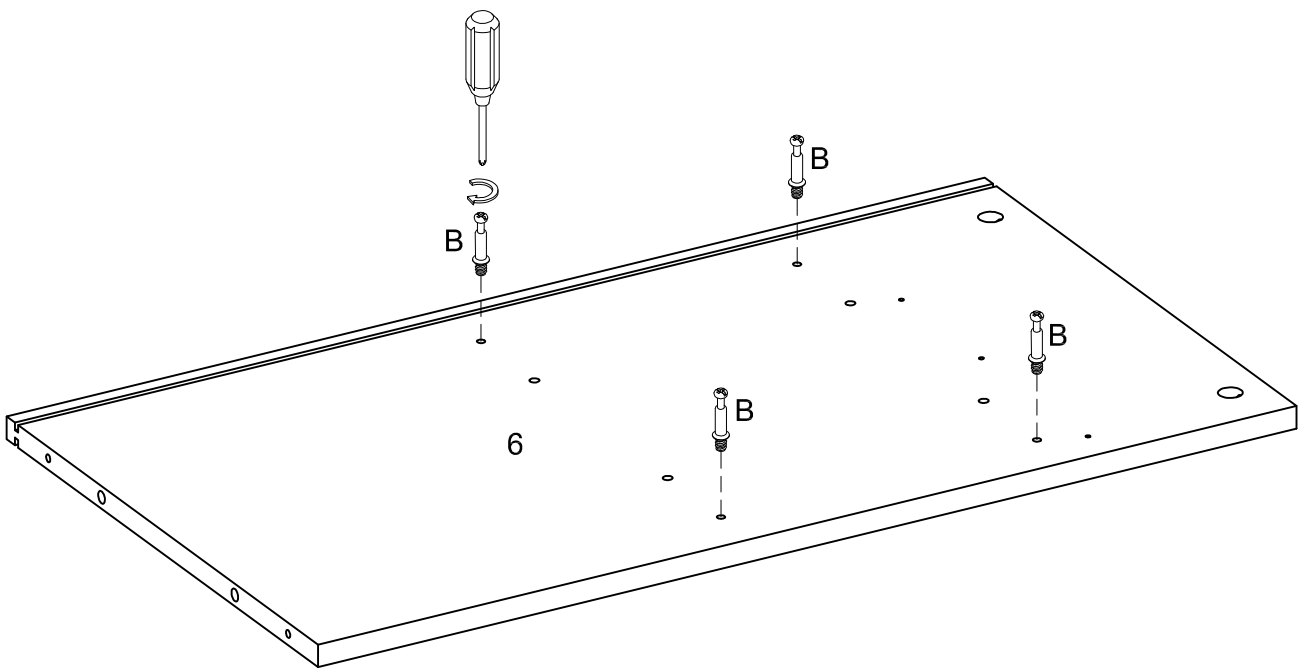


Philips head screwdriver required for assembly  
(not included)

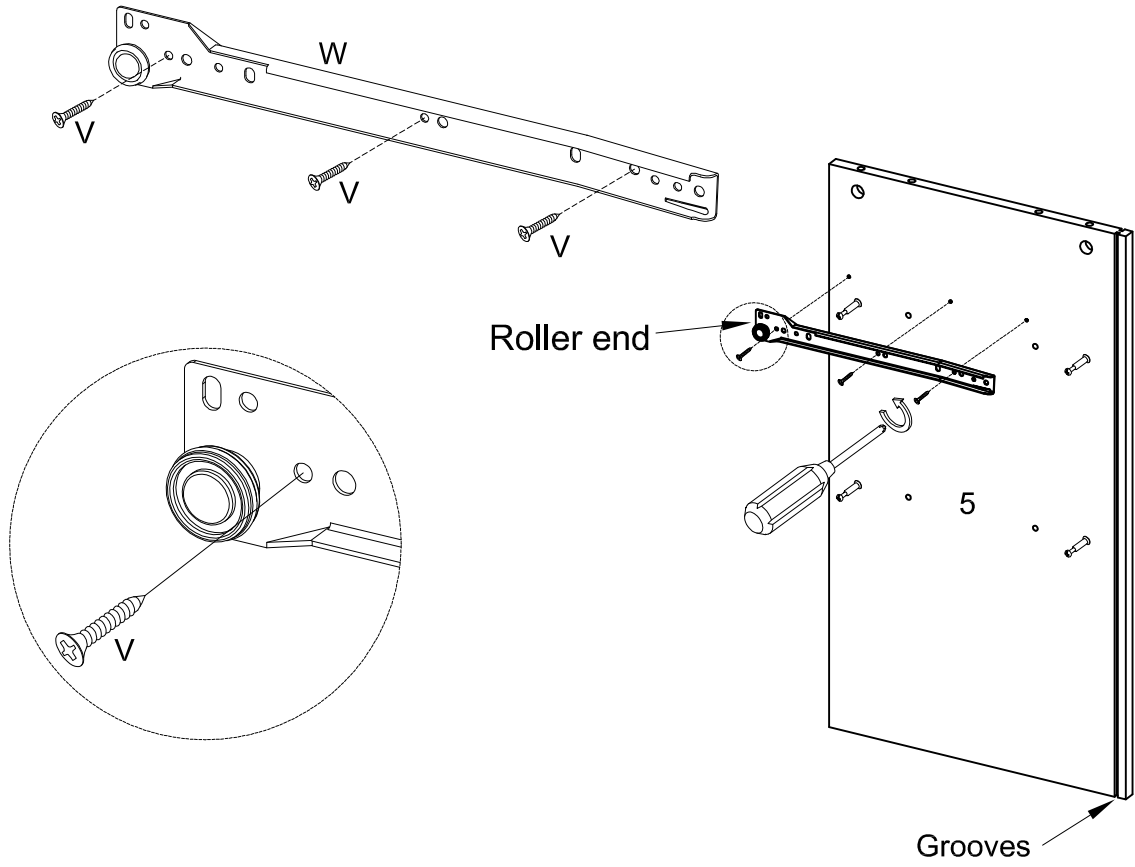
# Step 1



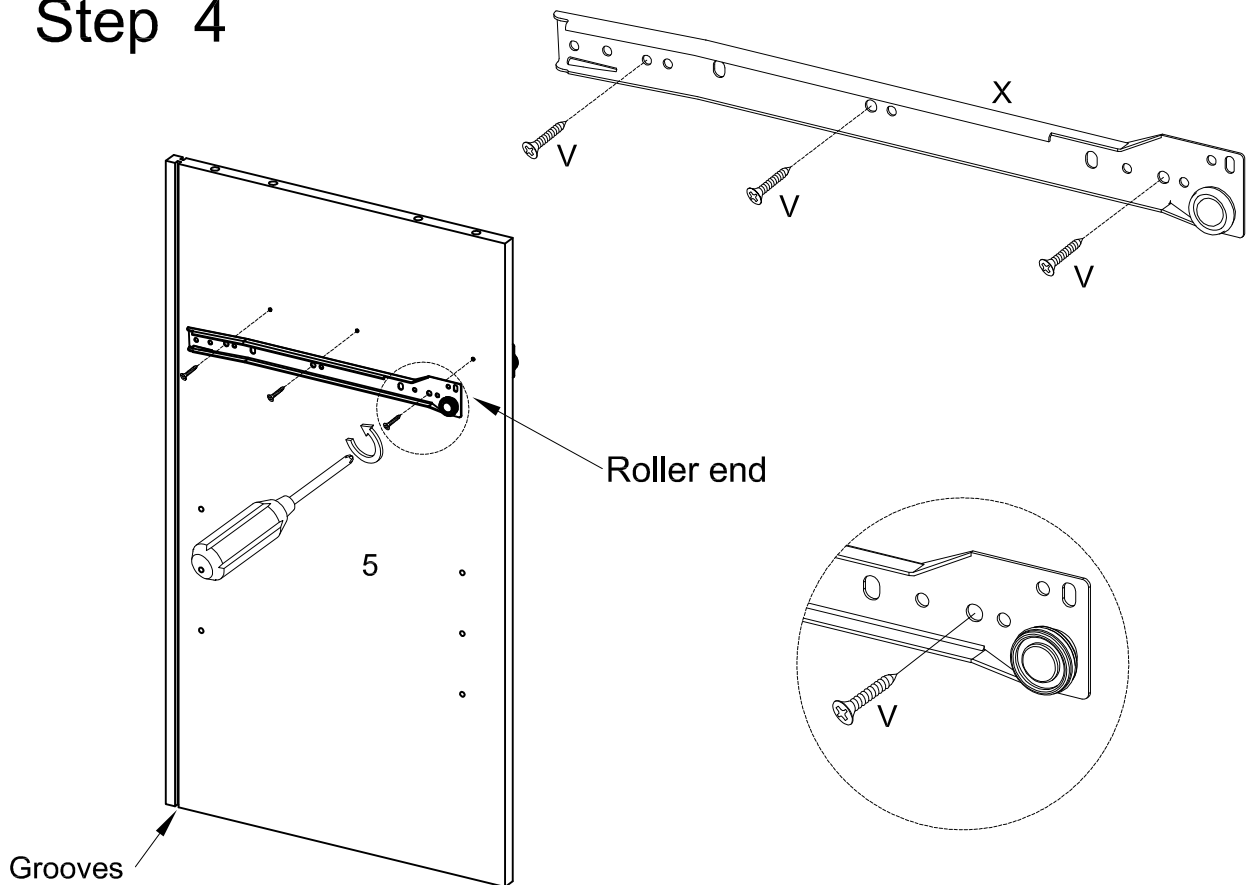
# Step 2



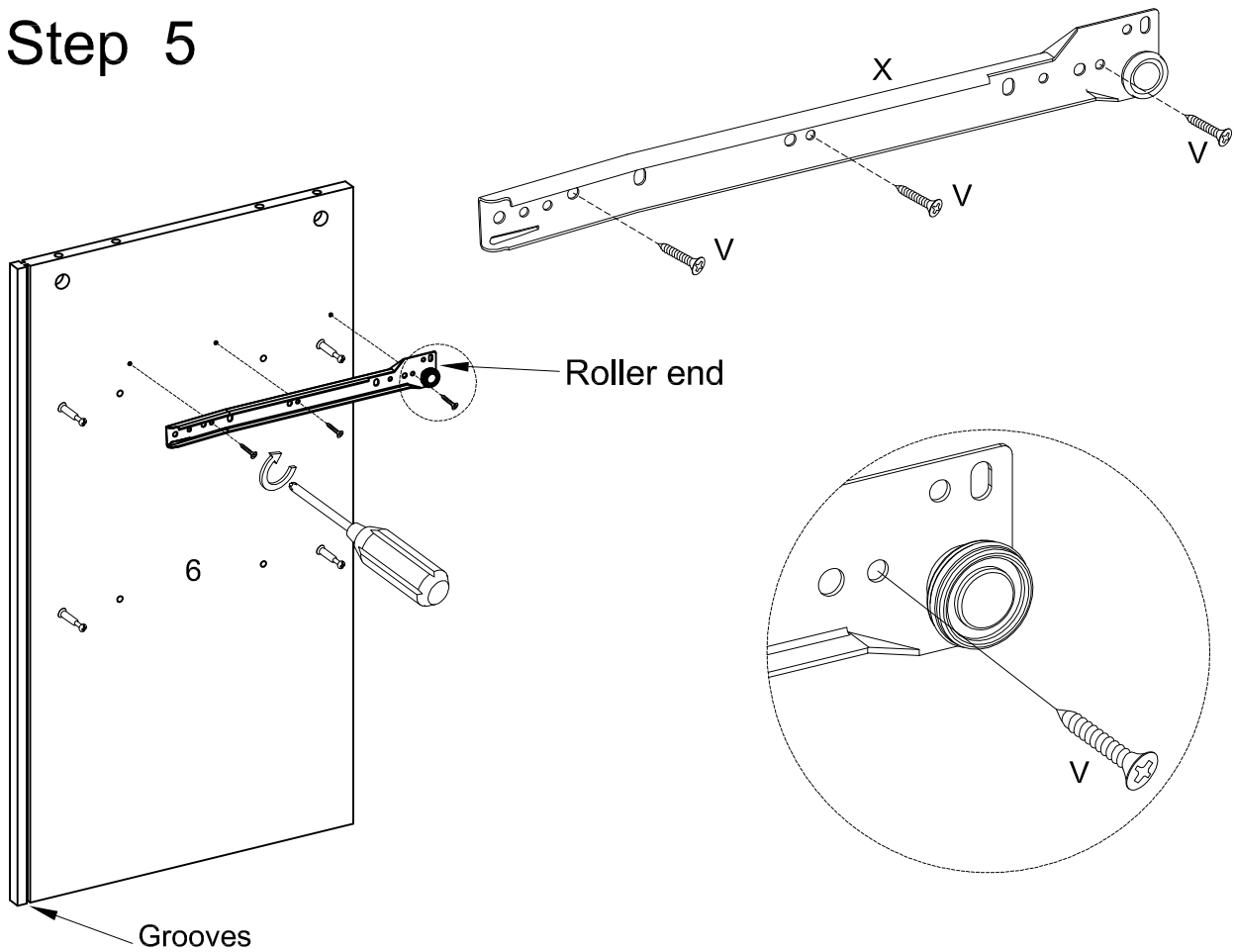
### Step 3



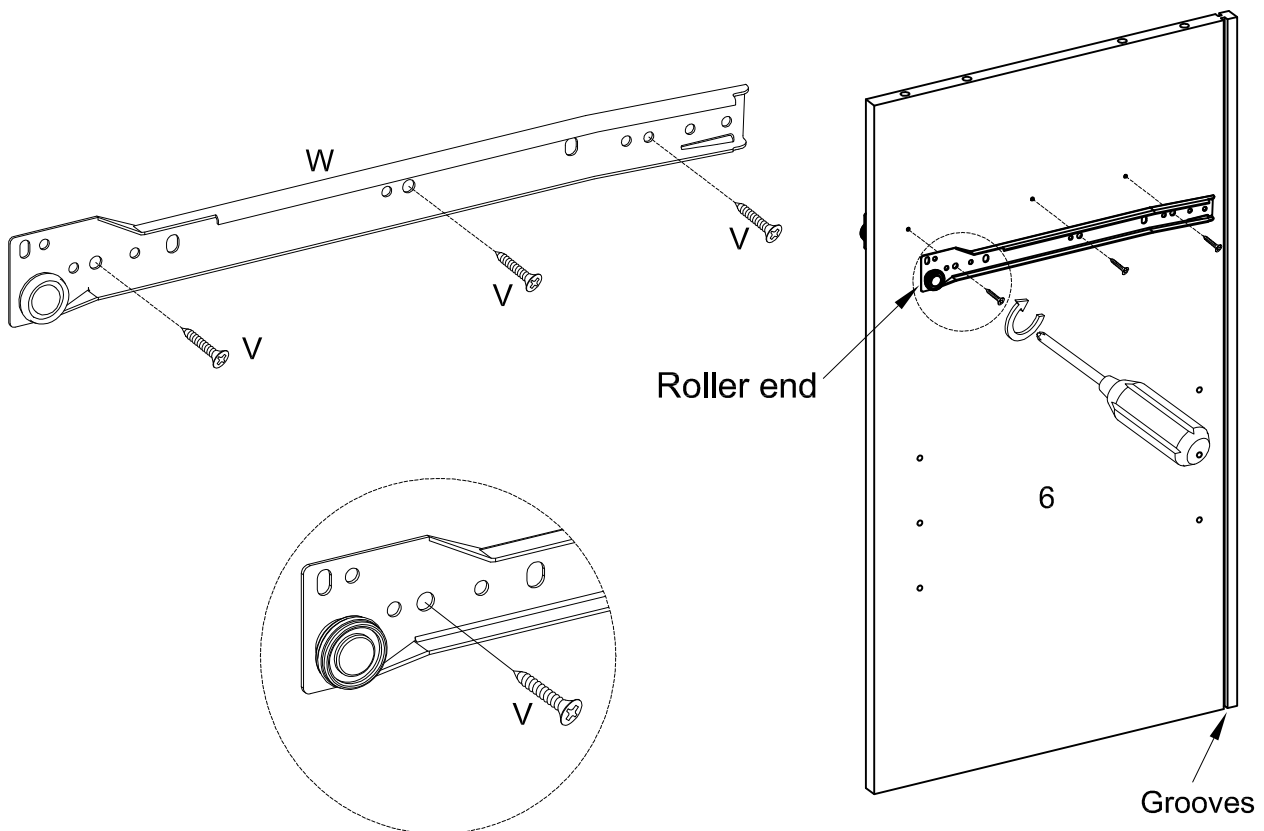
### Step 4



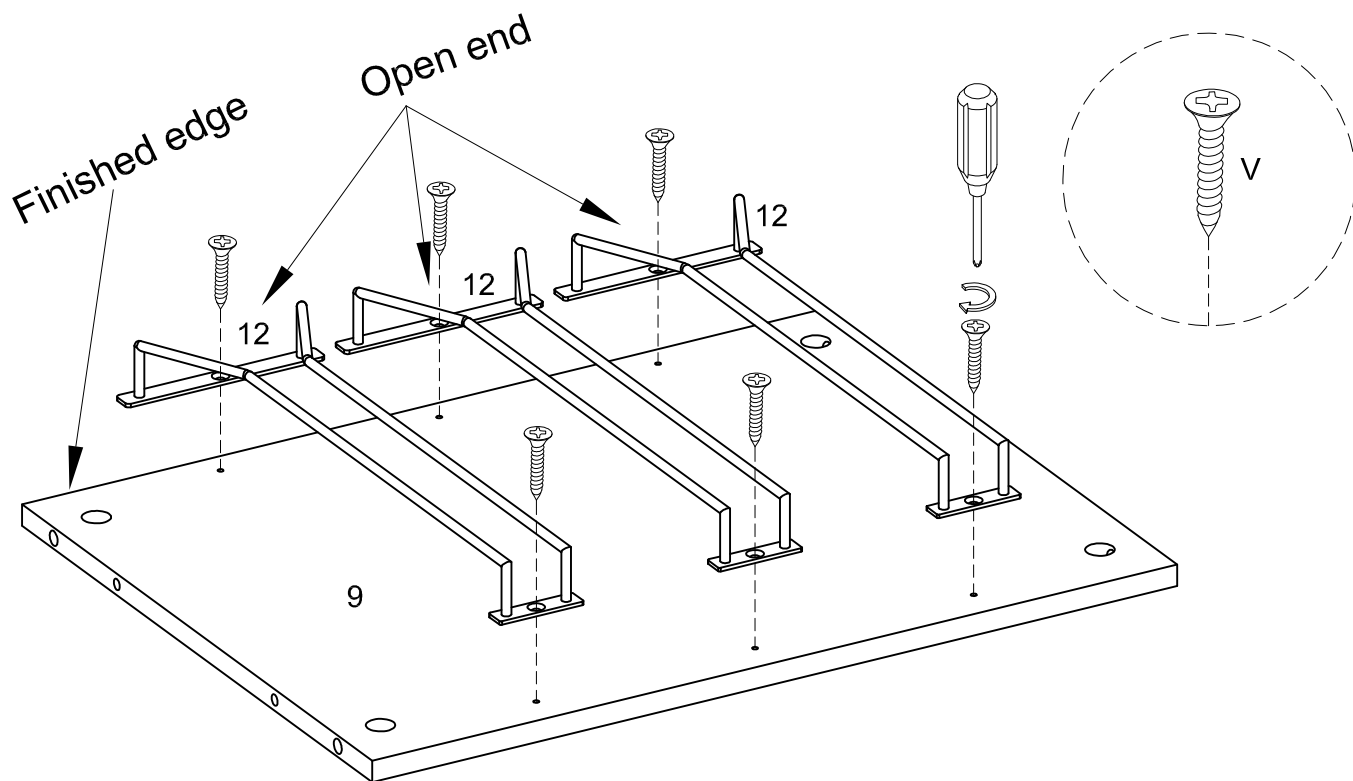
# Step 5



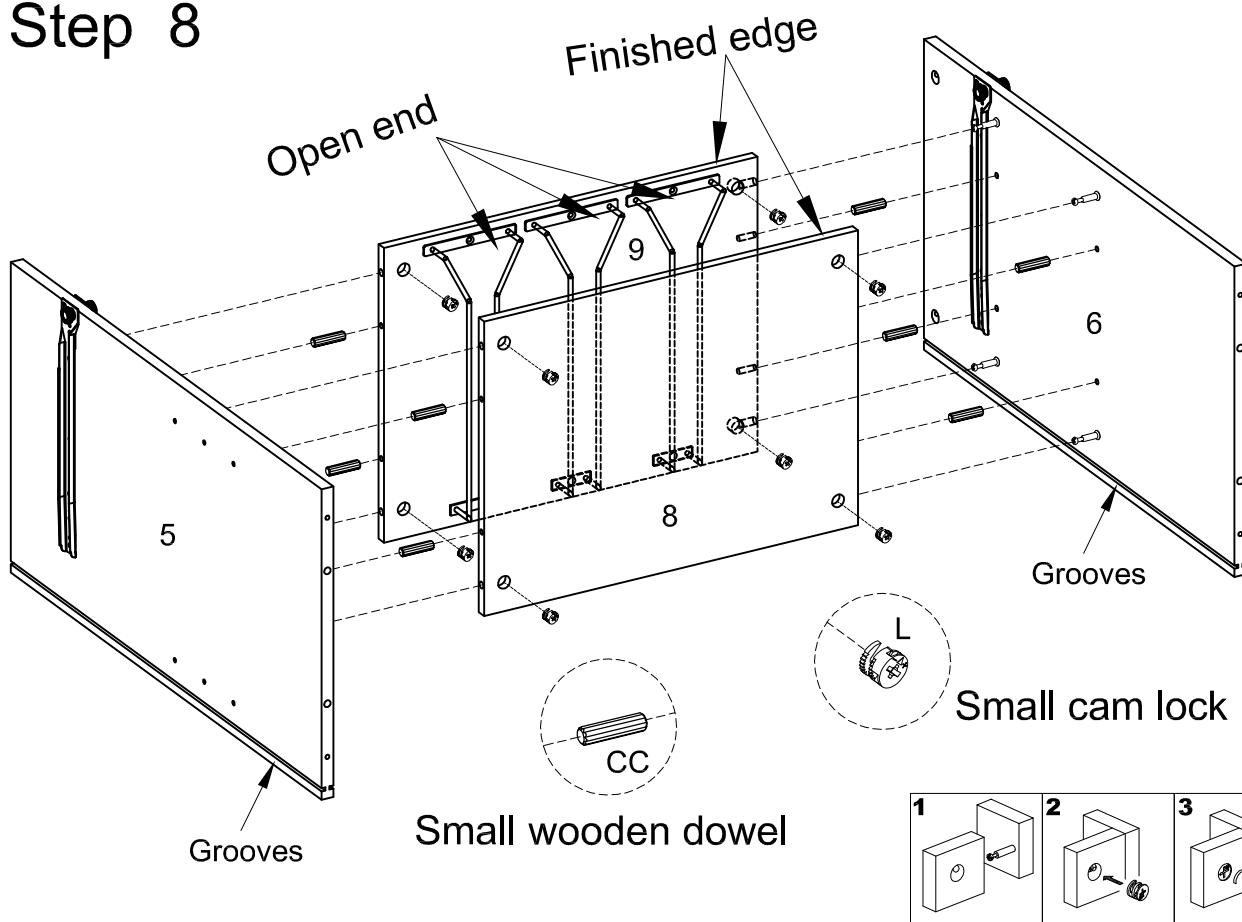
# Step 6



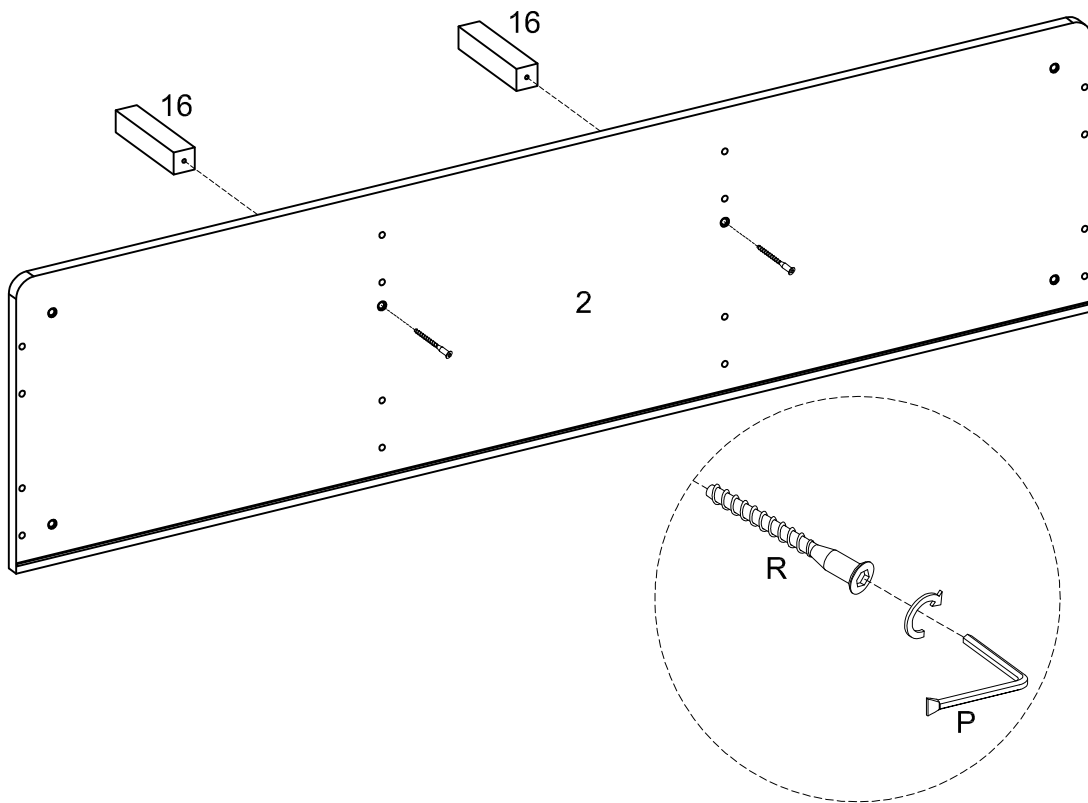
# Step 7



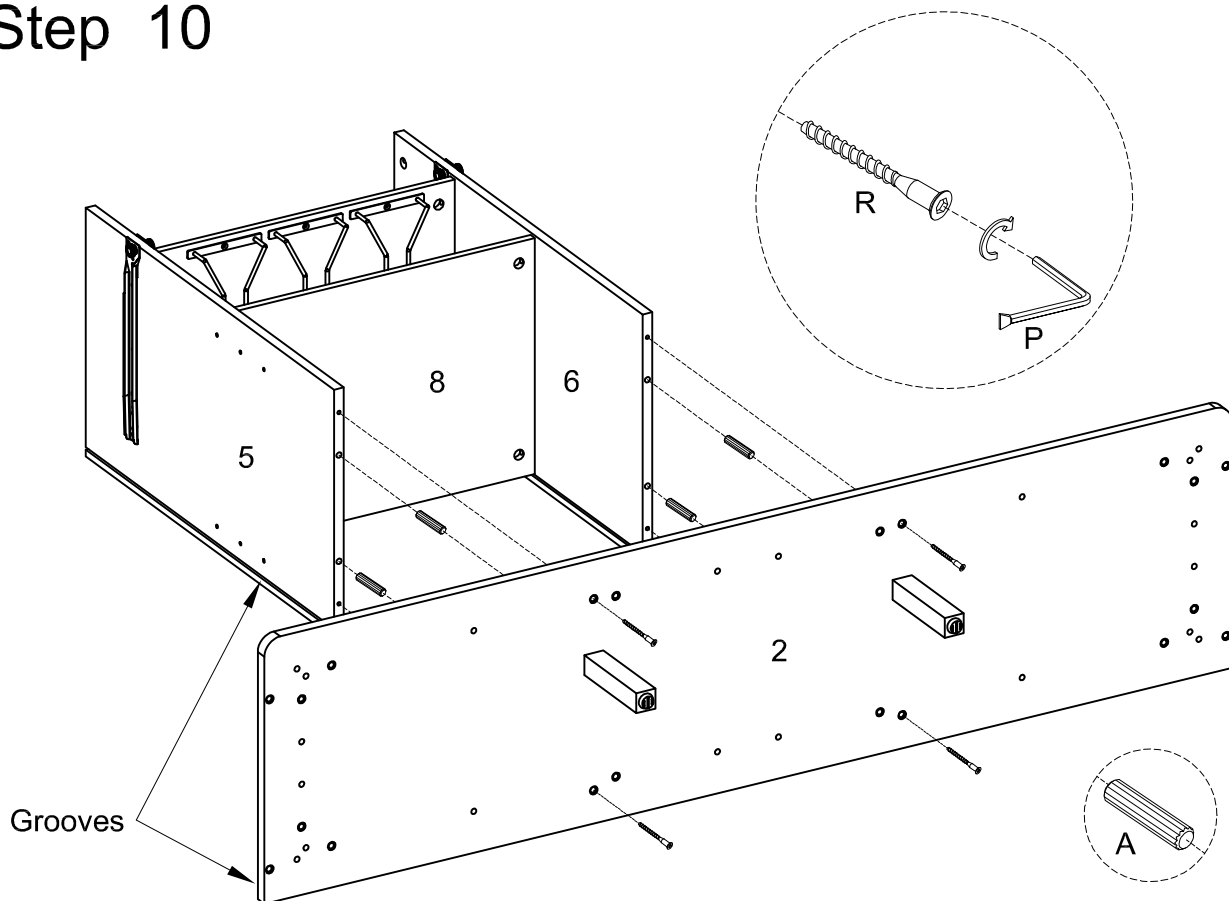
# Step 8



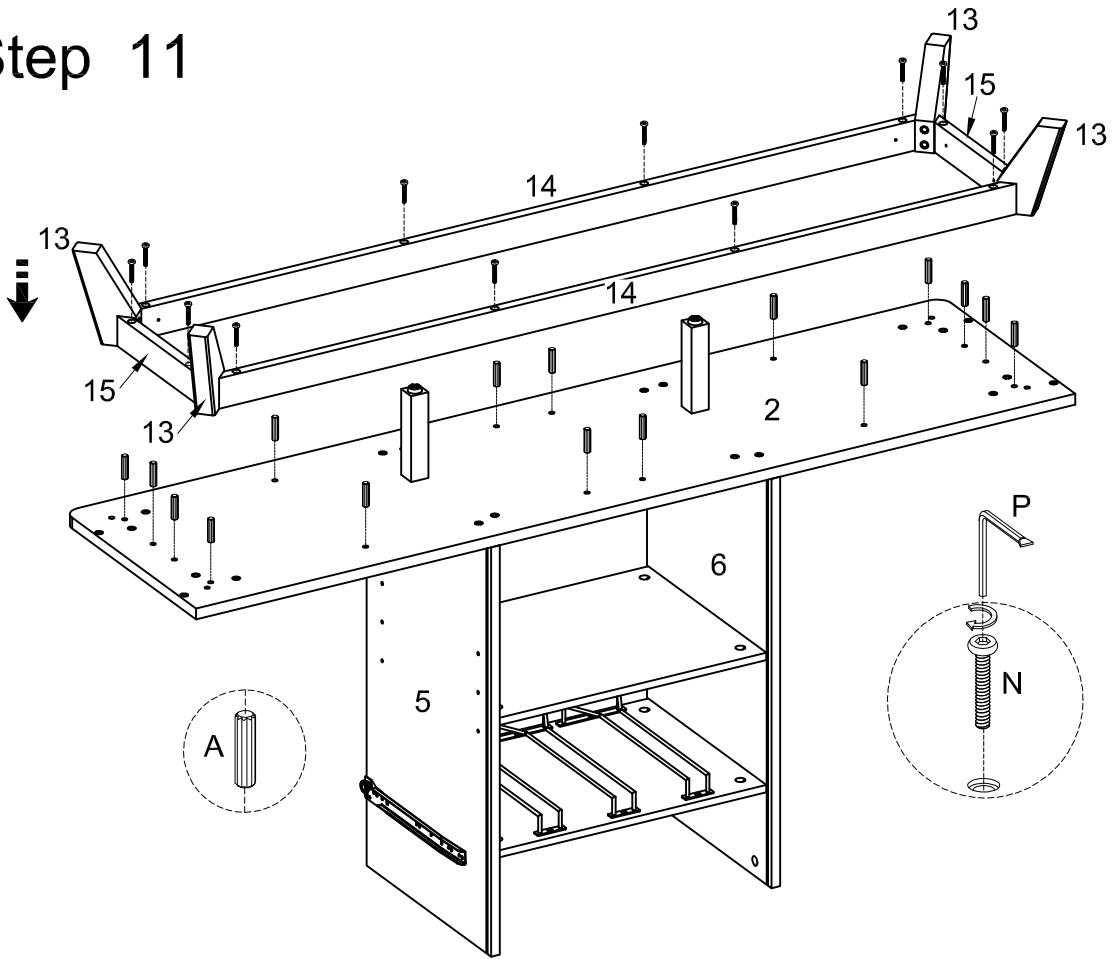
# Step 9



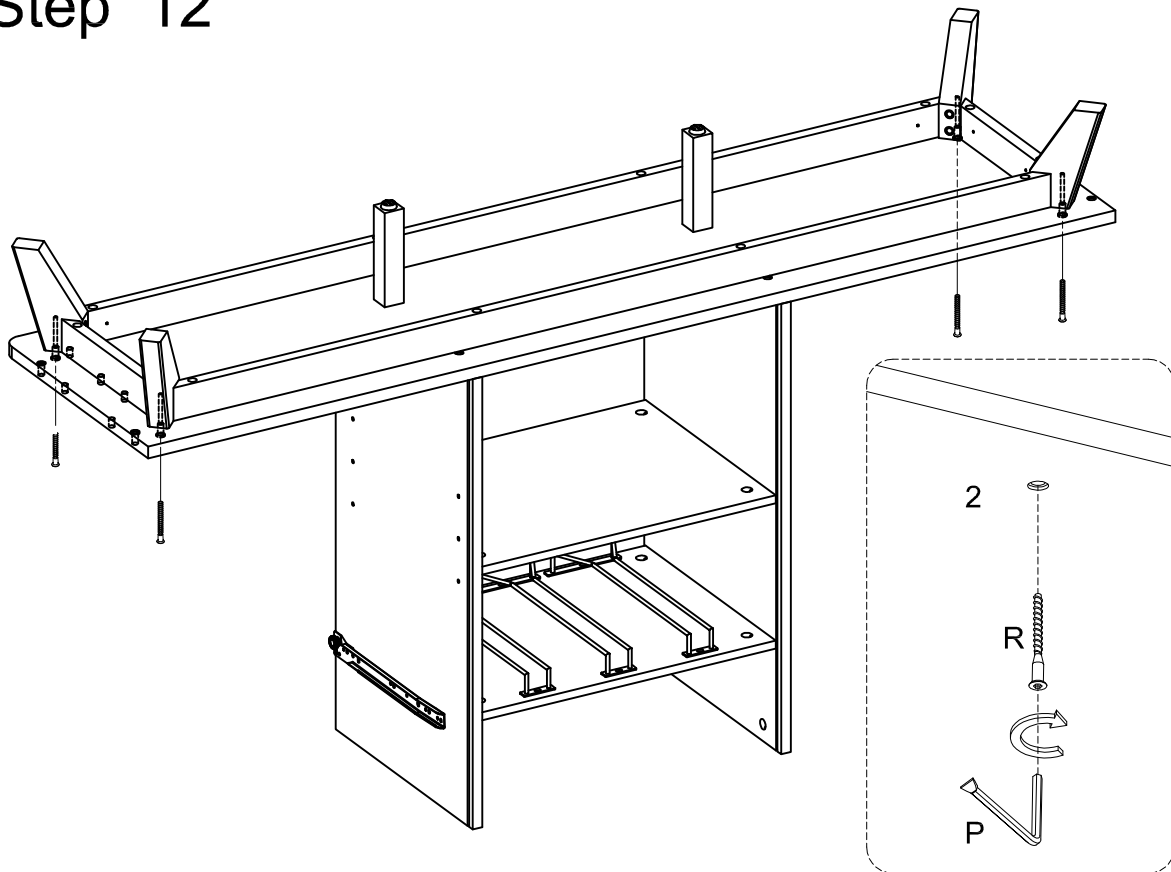
# Step 10



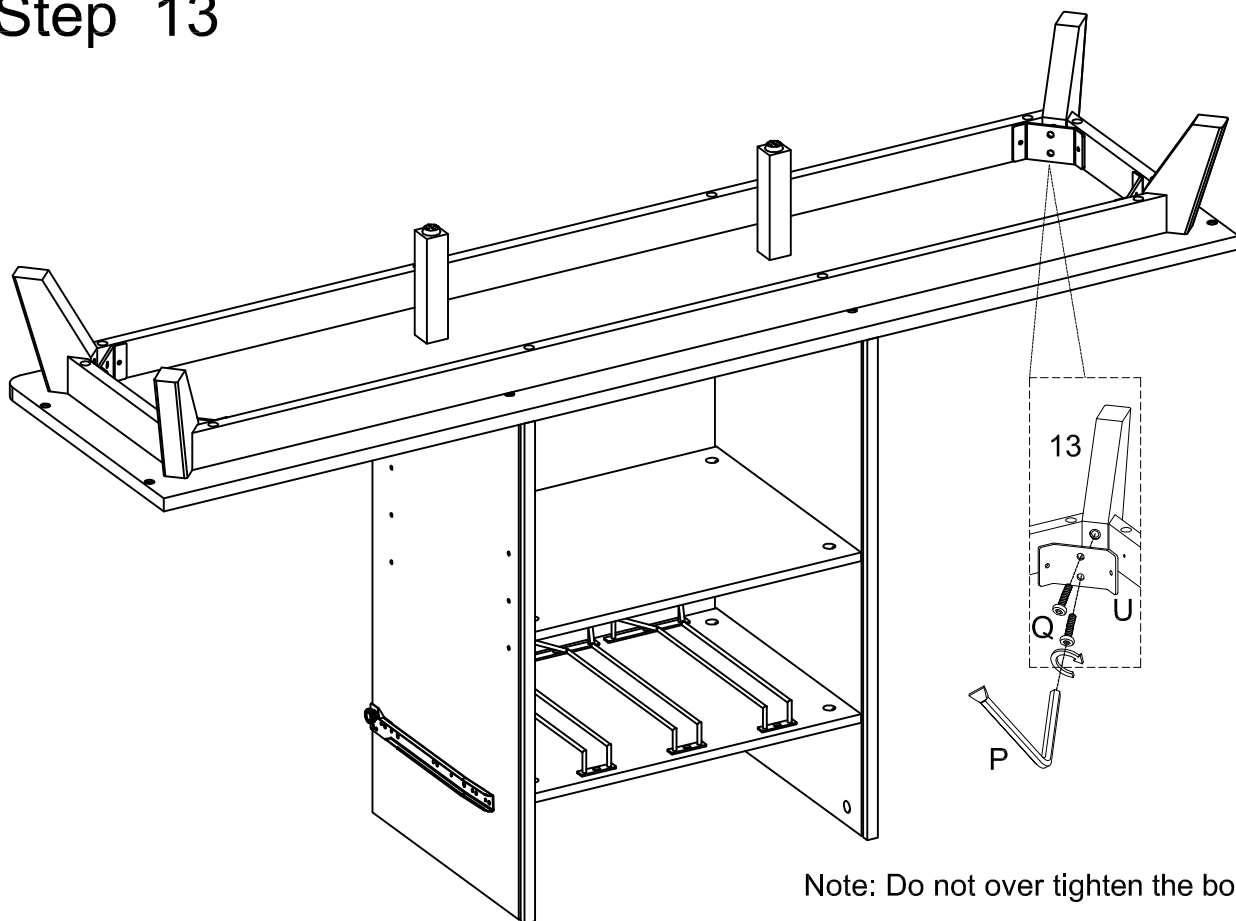
# Step 11



# Step 12

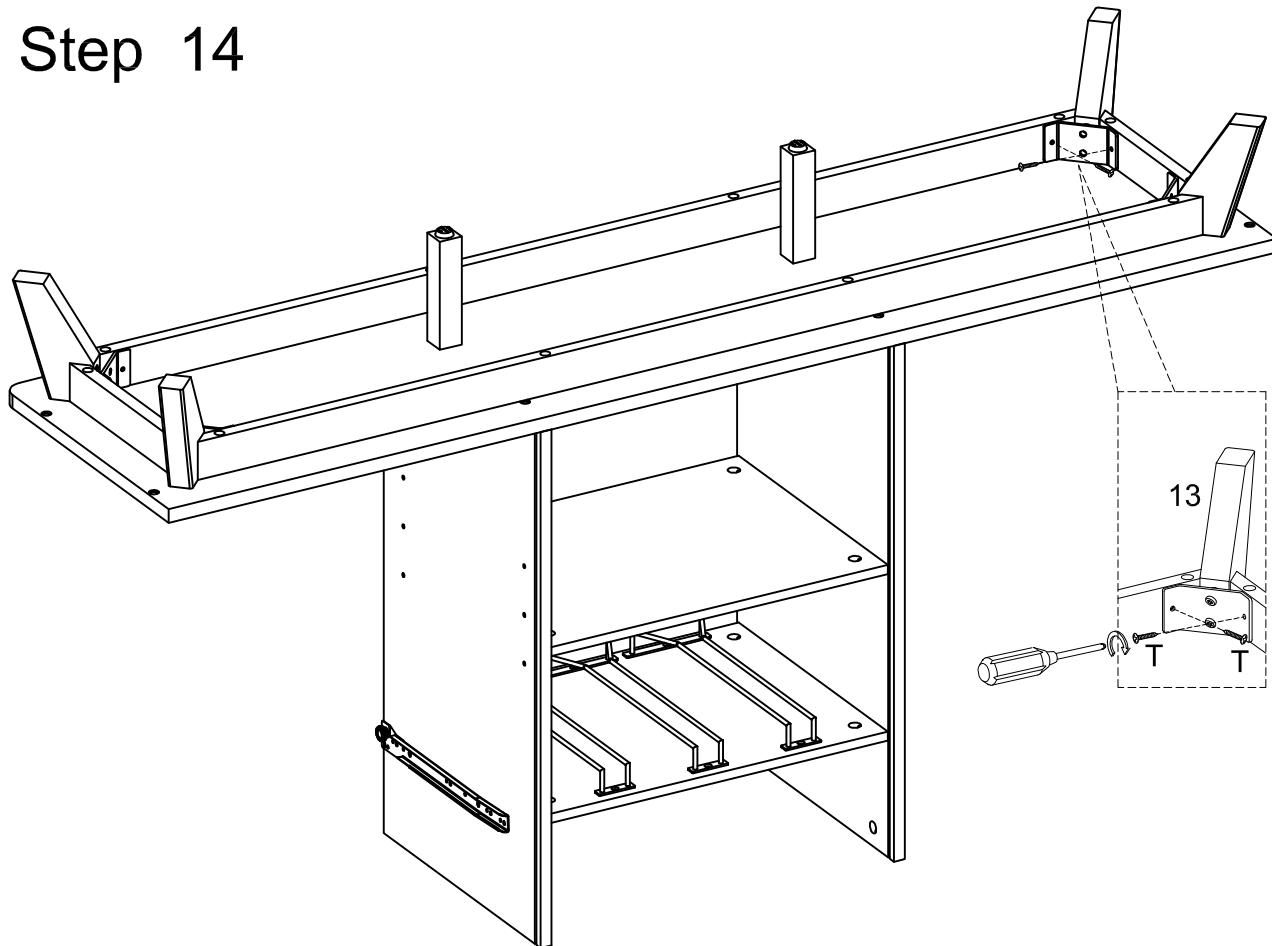


# Step 13

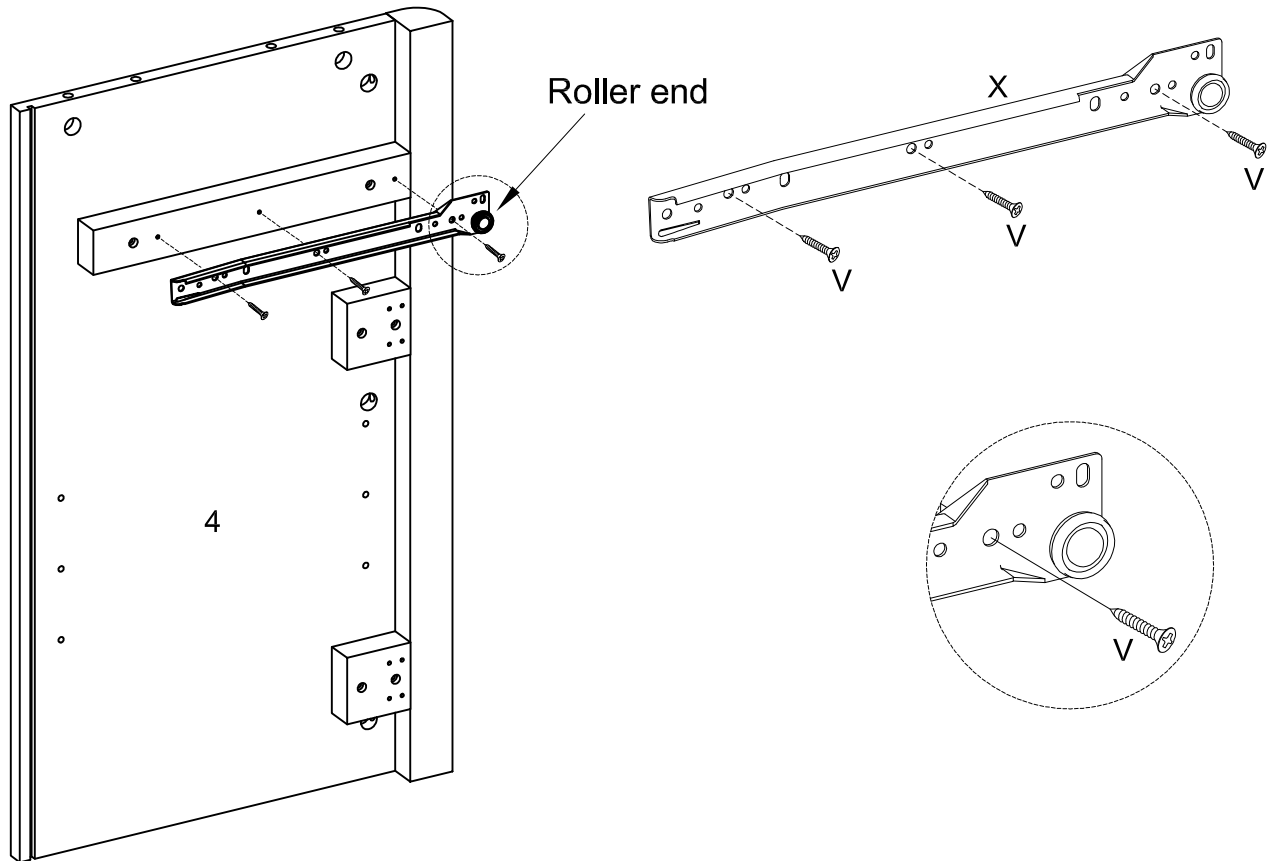


Note: Do not over tighten the bolts.

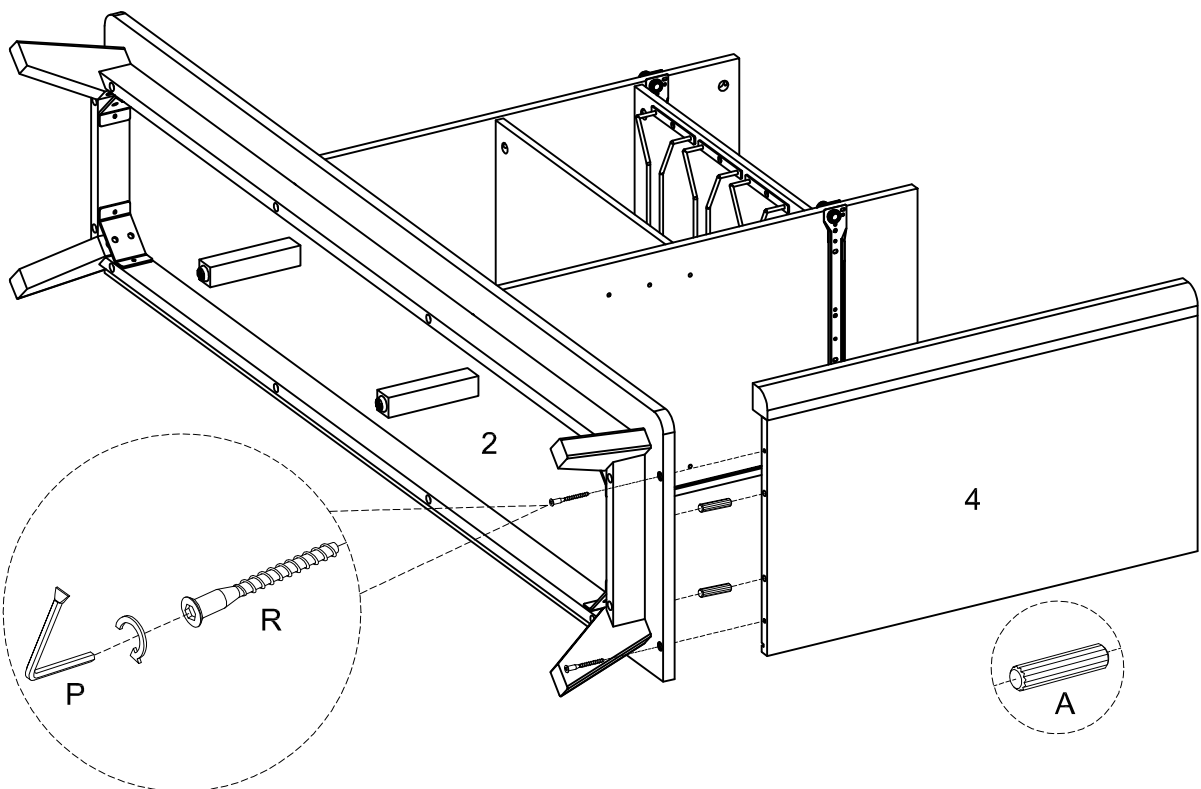
# Step 14



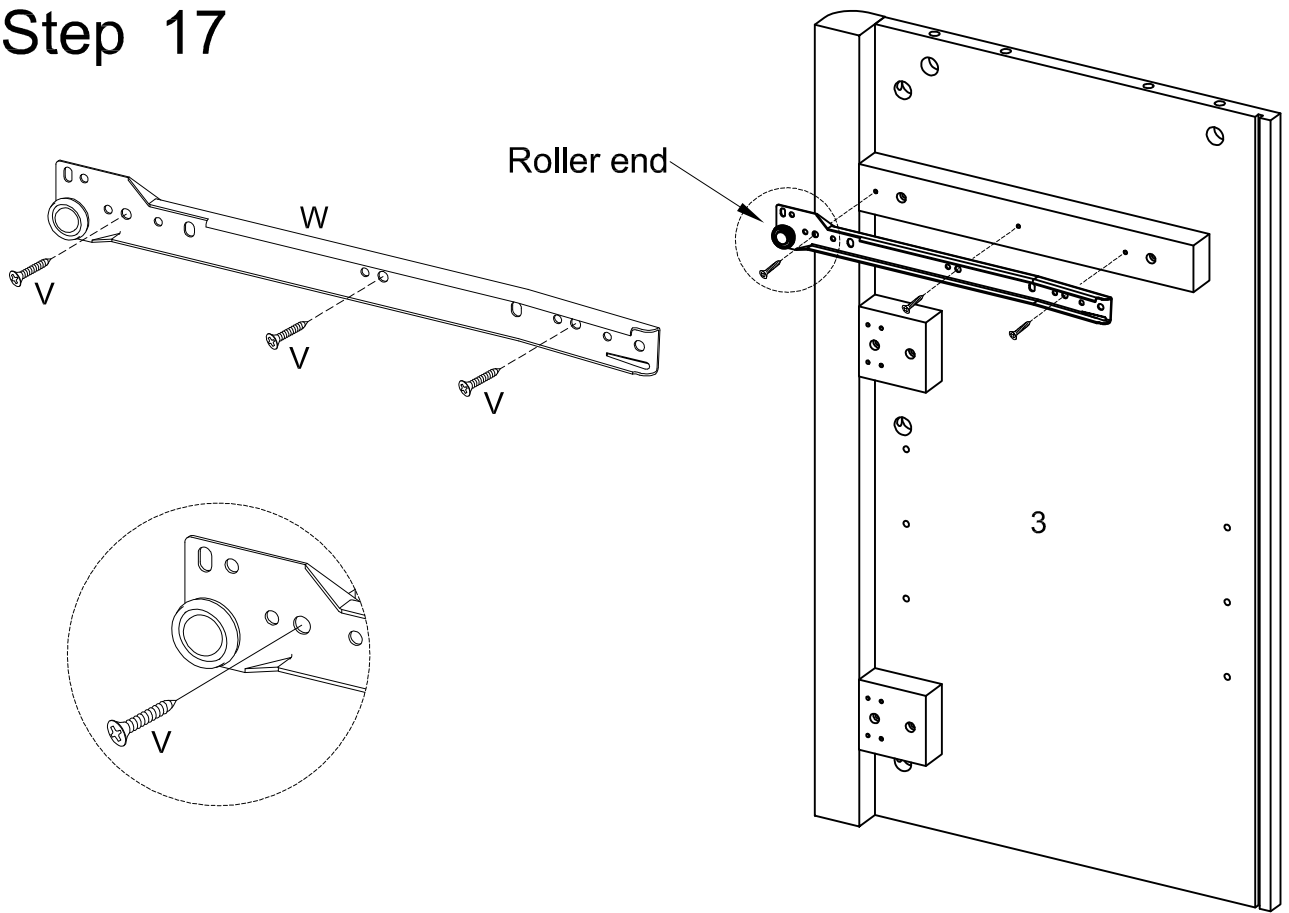
# Step 15



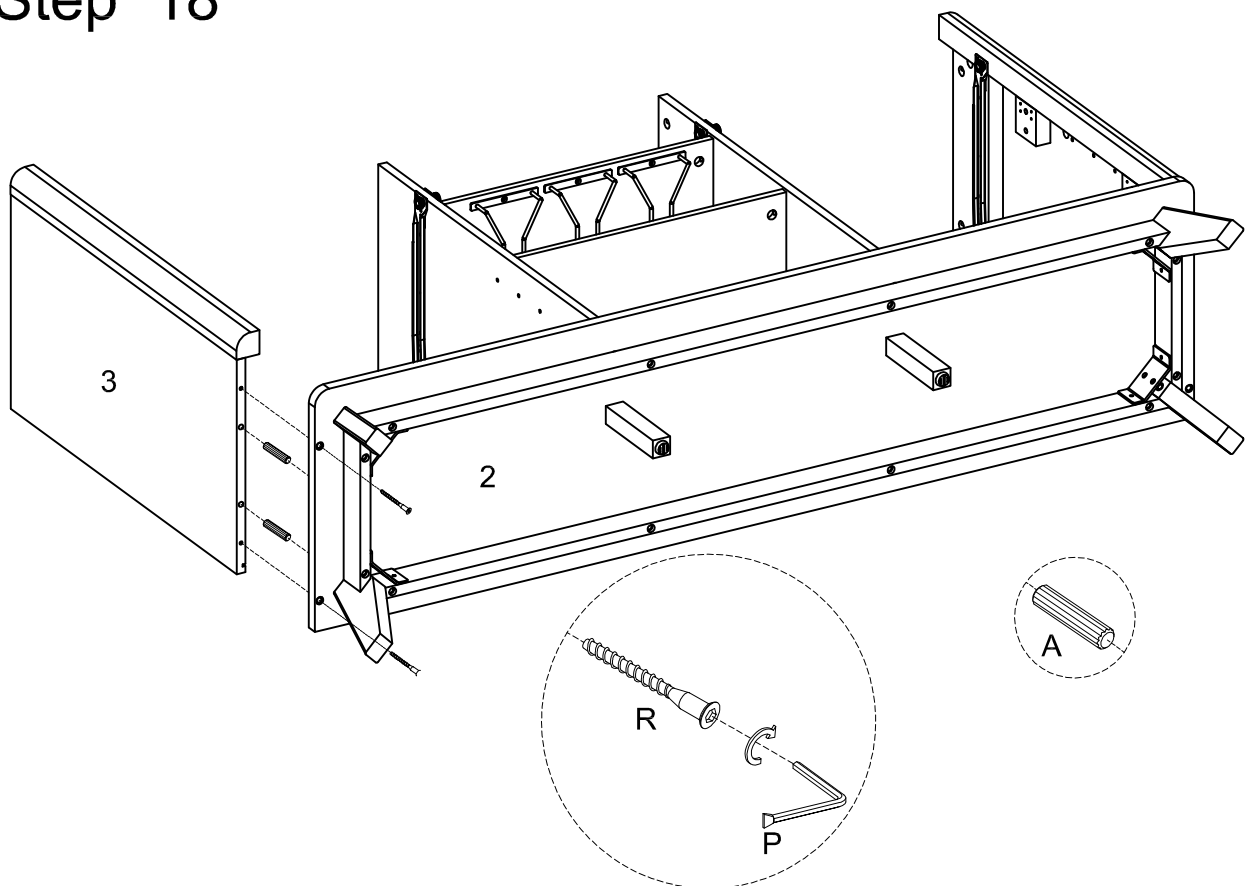
# Step 16



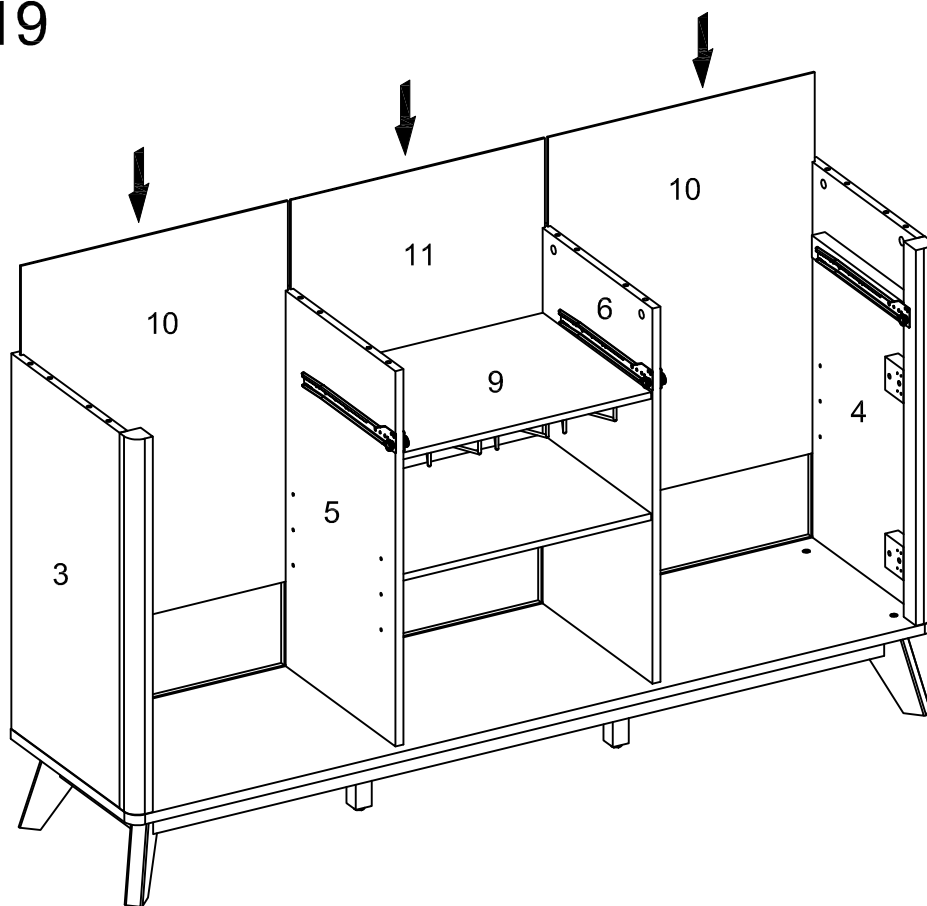
# Step 17



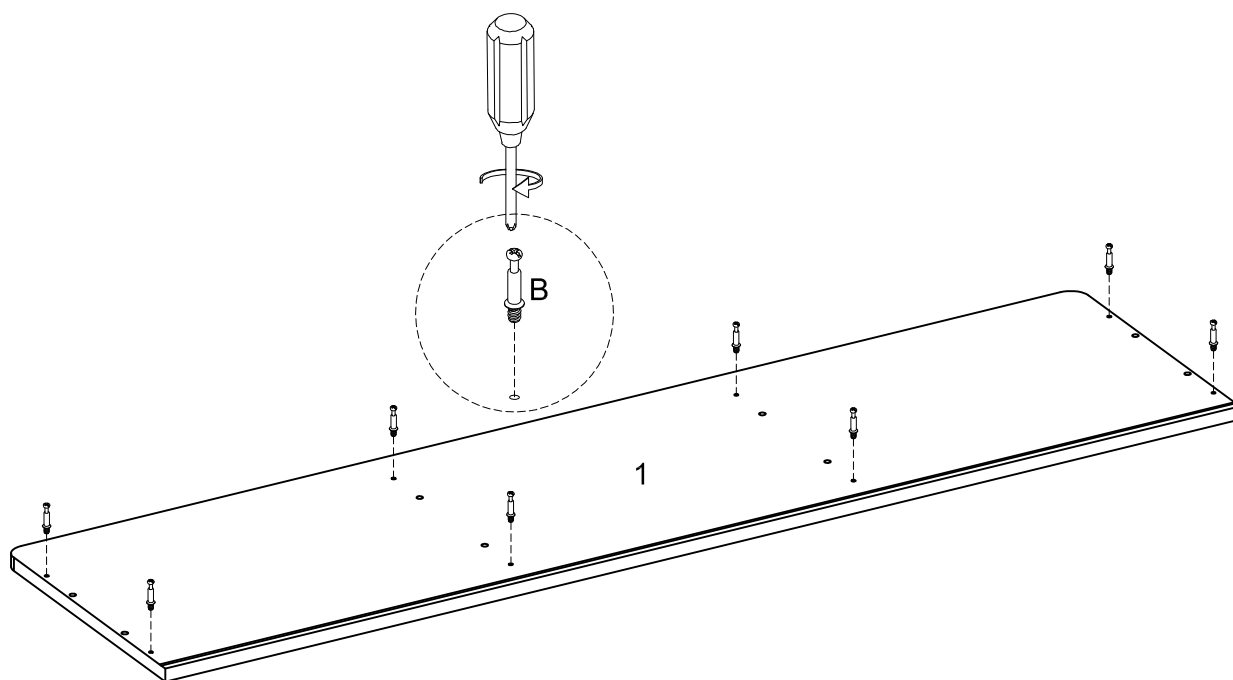
# Step 18



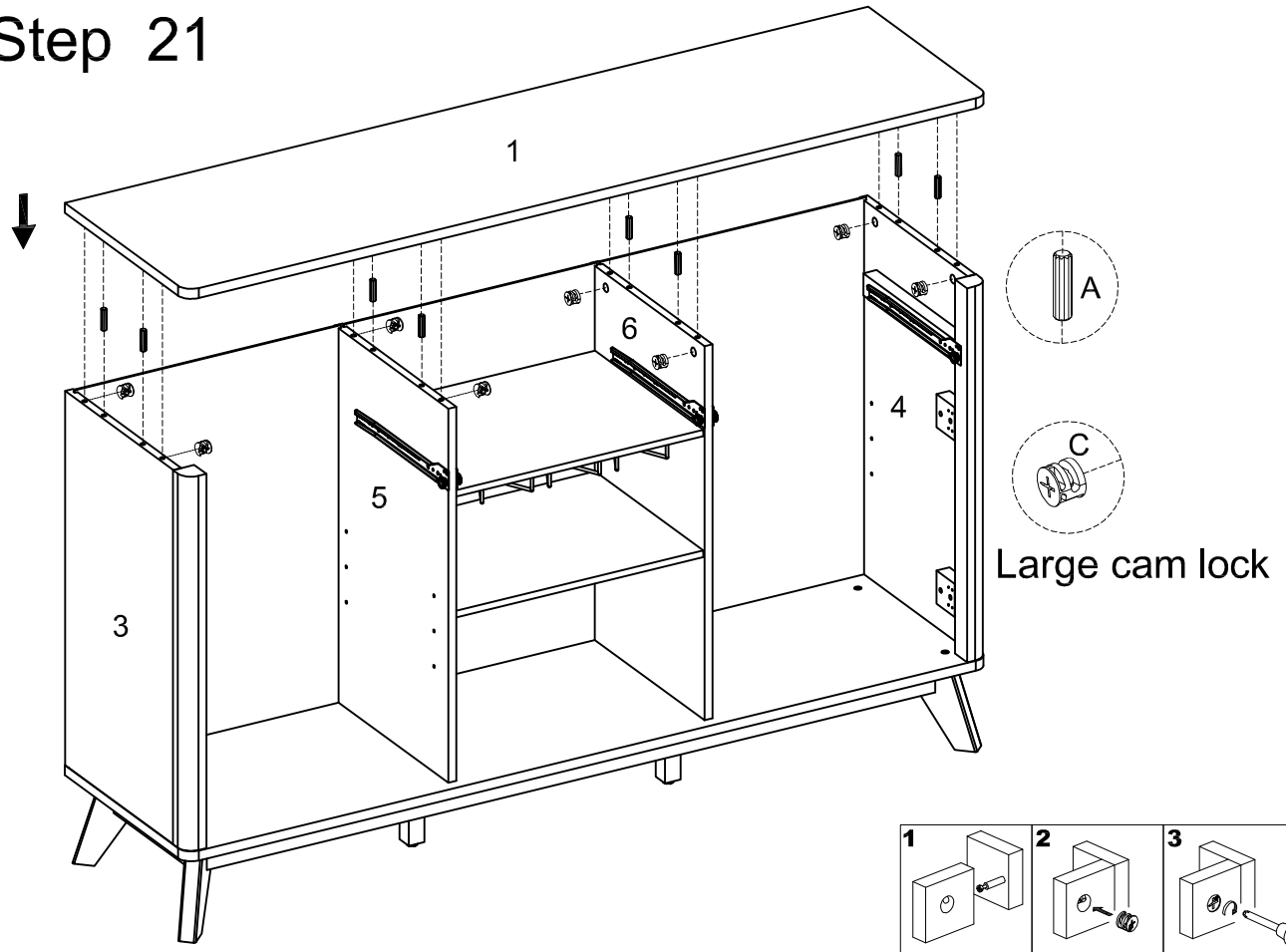
## Step 19



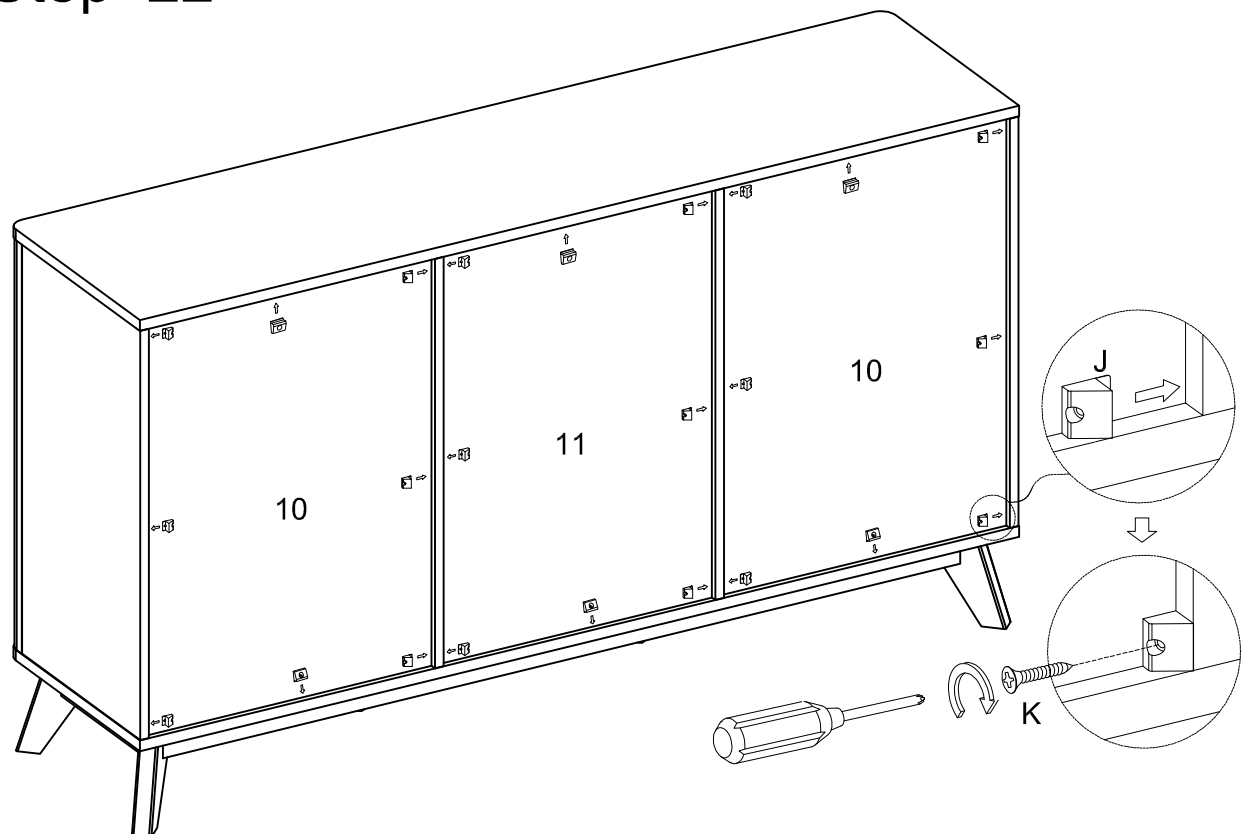
## Step 20



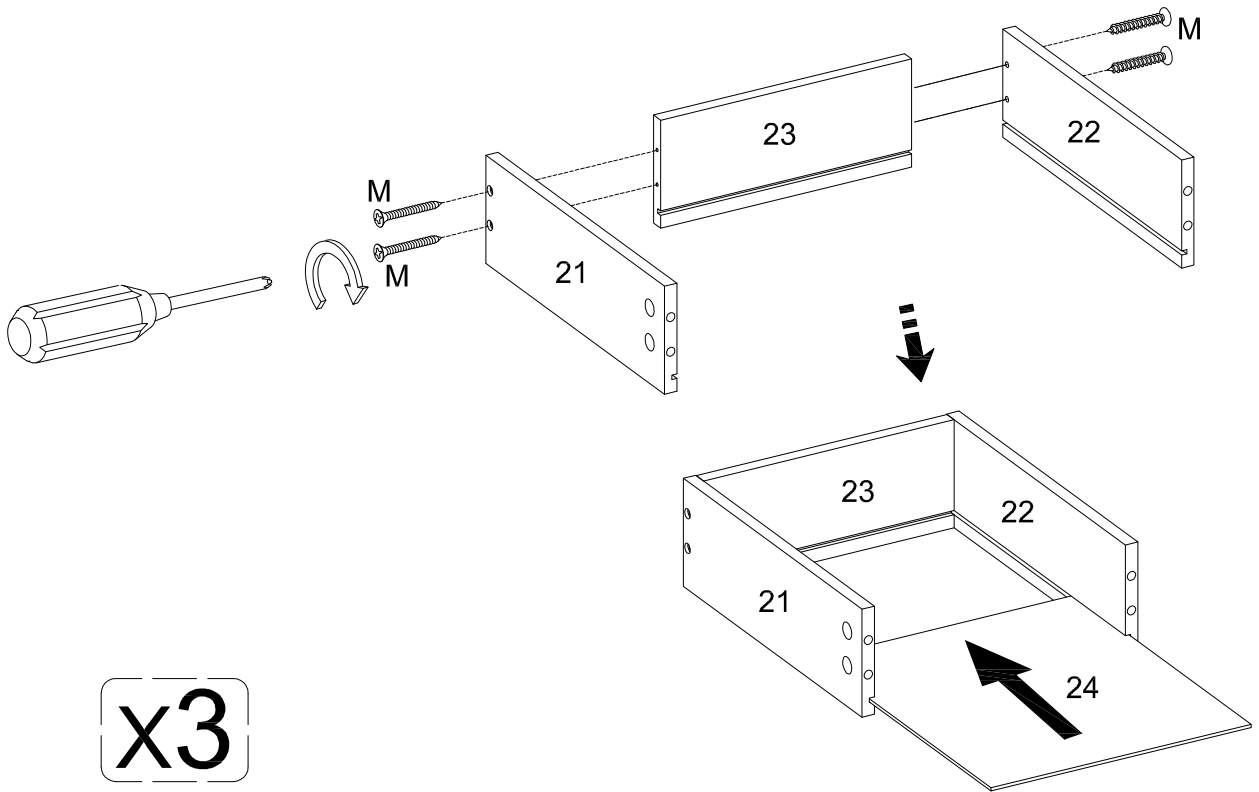
## Step 21



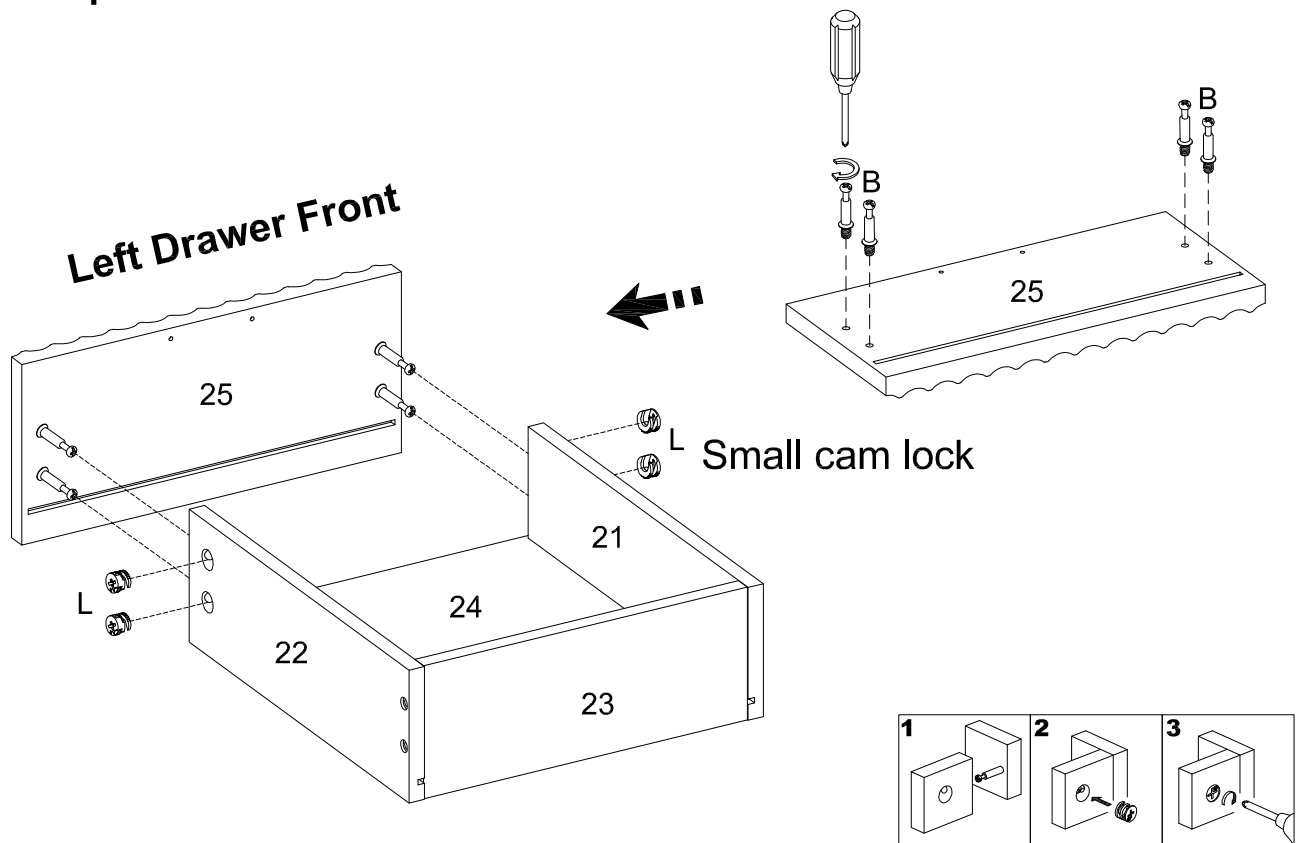
## Step 22



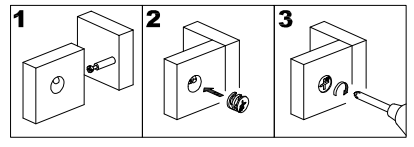
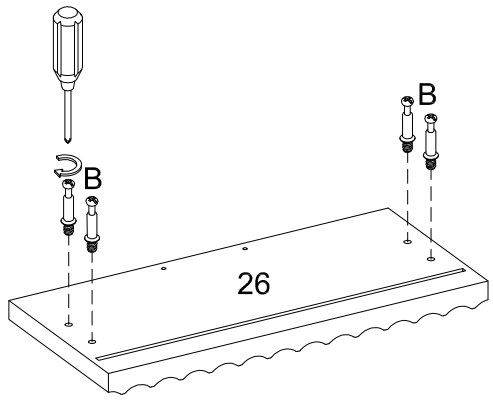
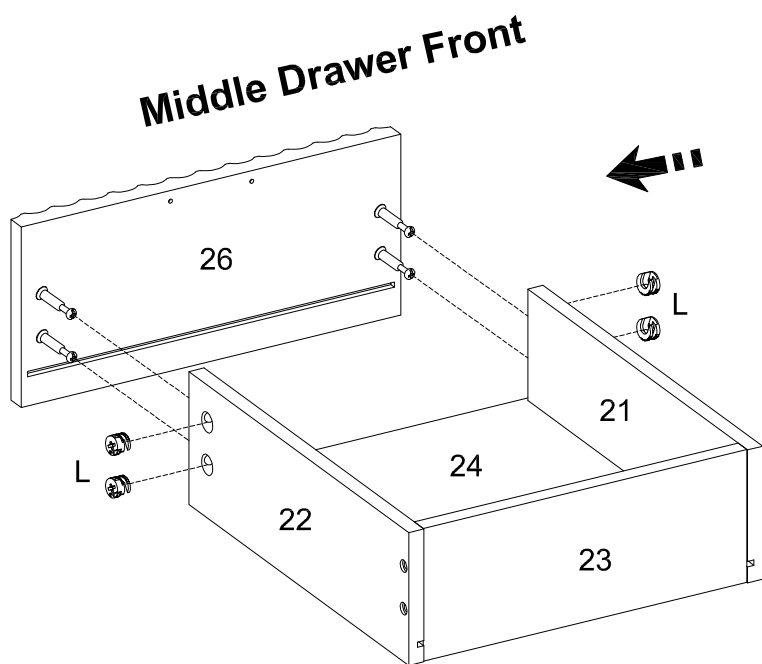
# Step 23



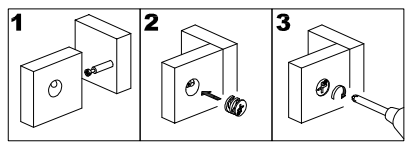
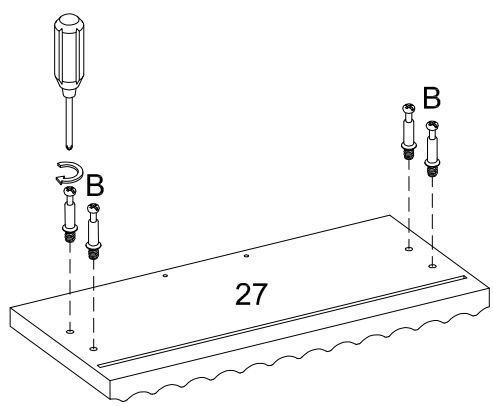
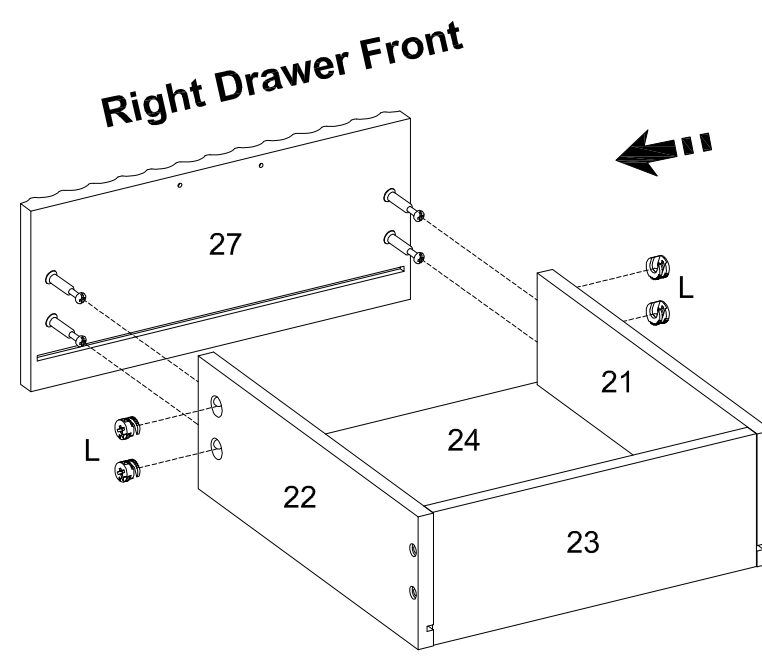
# Step 24



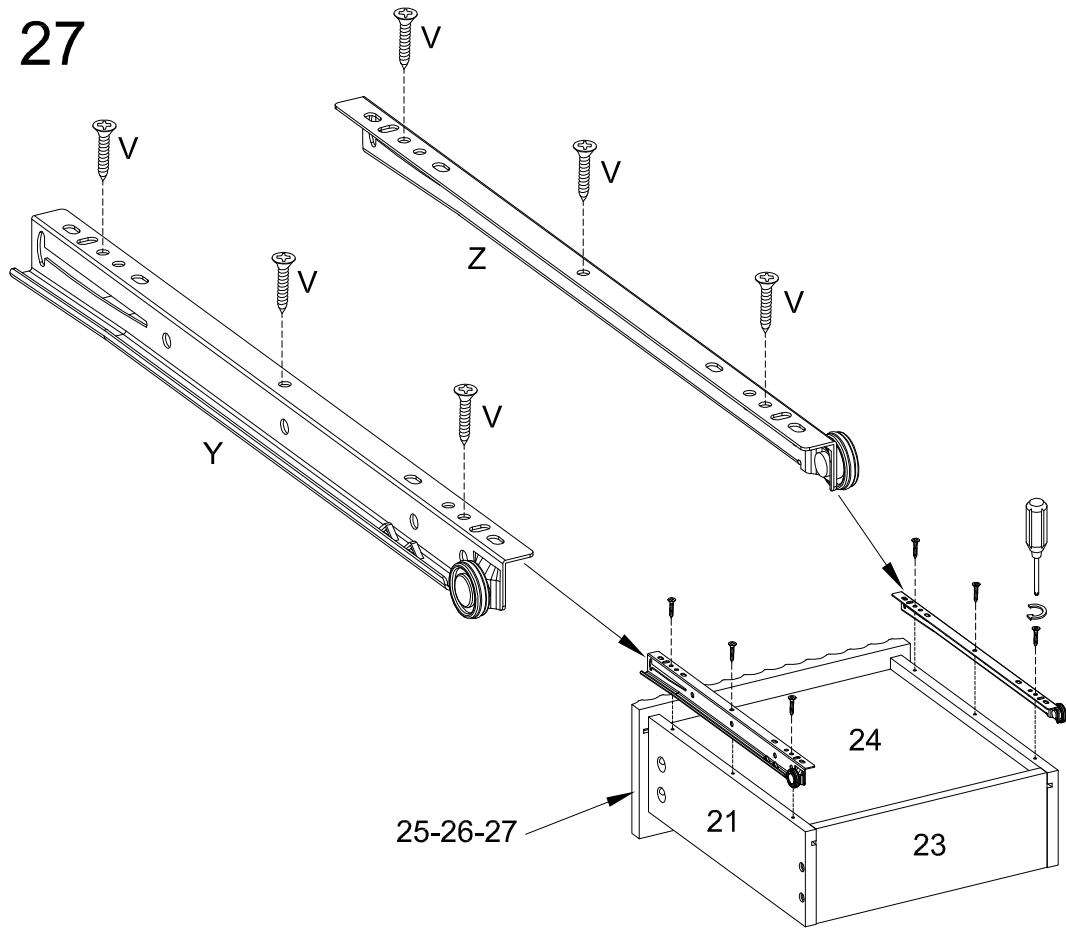
# Step 25



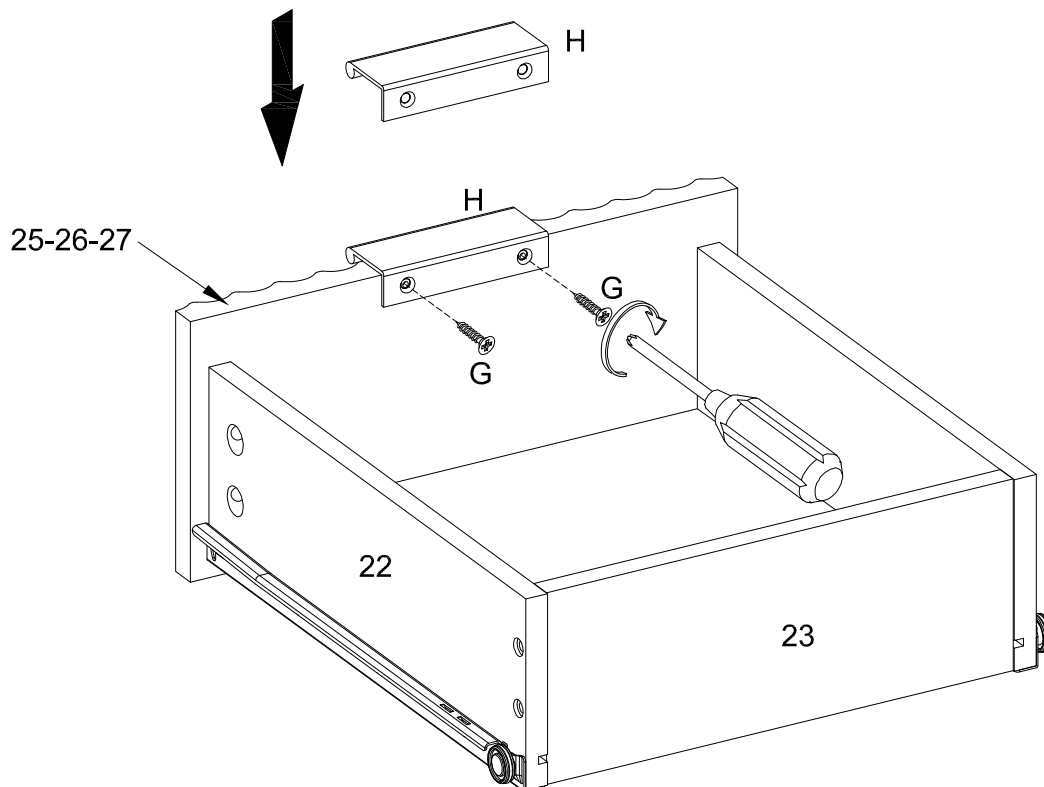
# Step 26



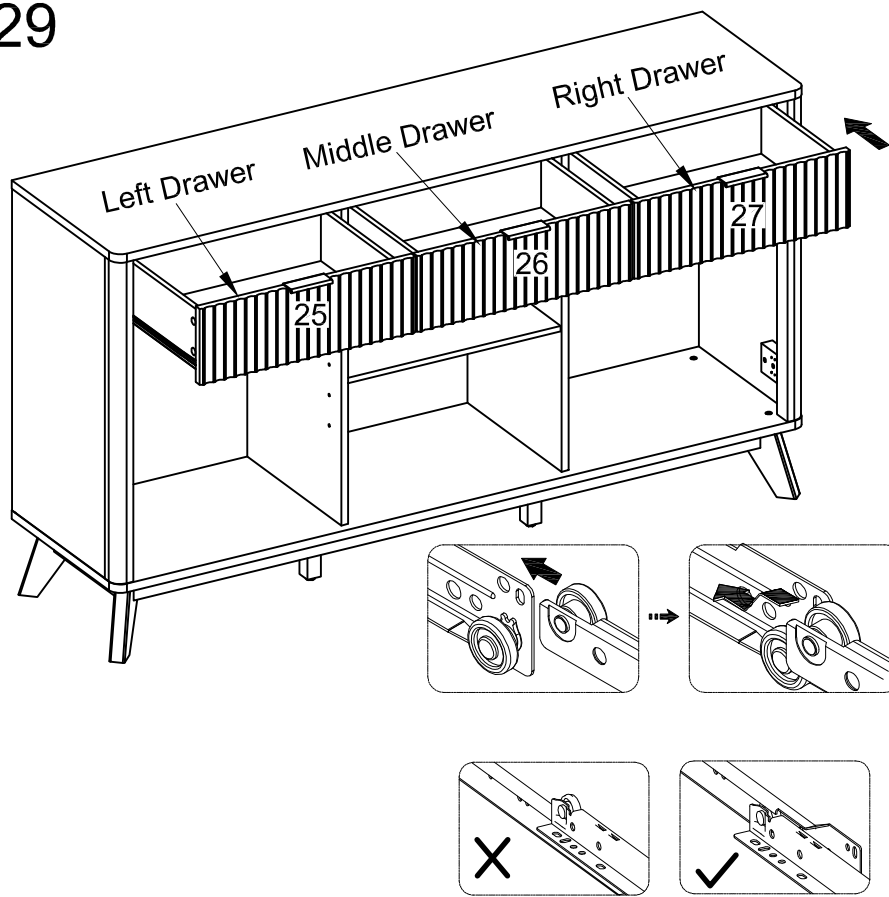
# Step 27



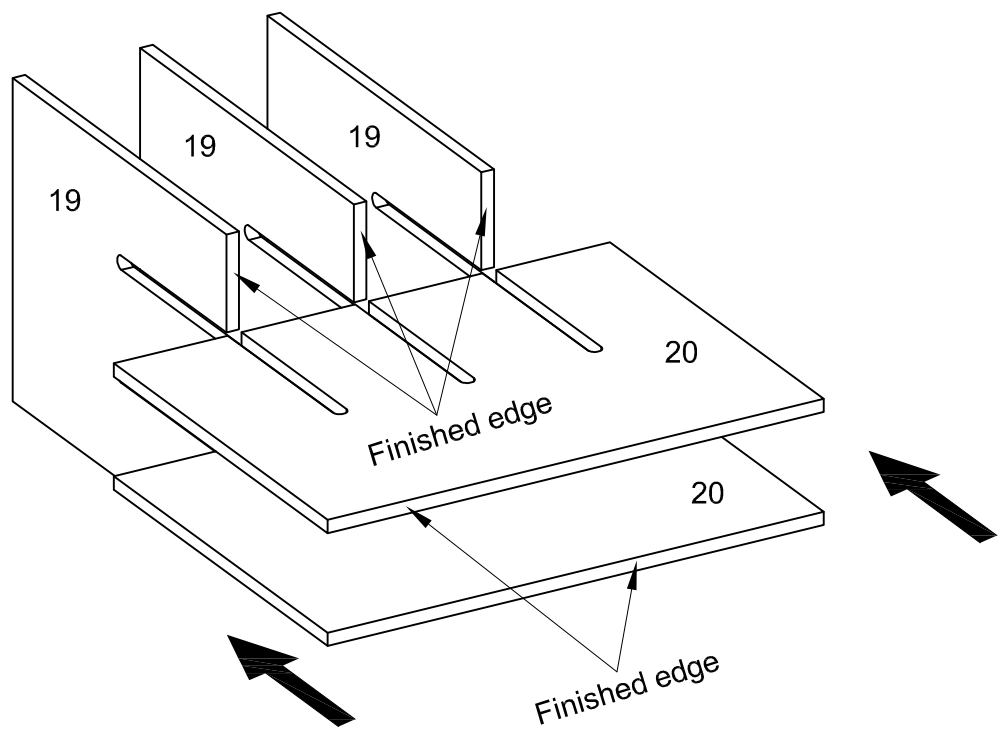
# Step 28



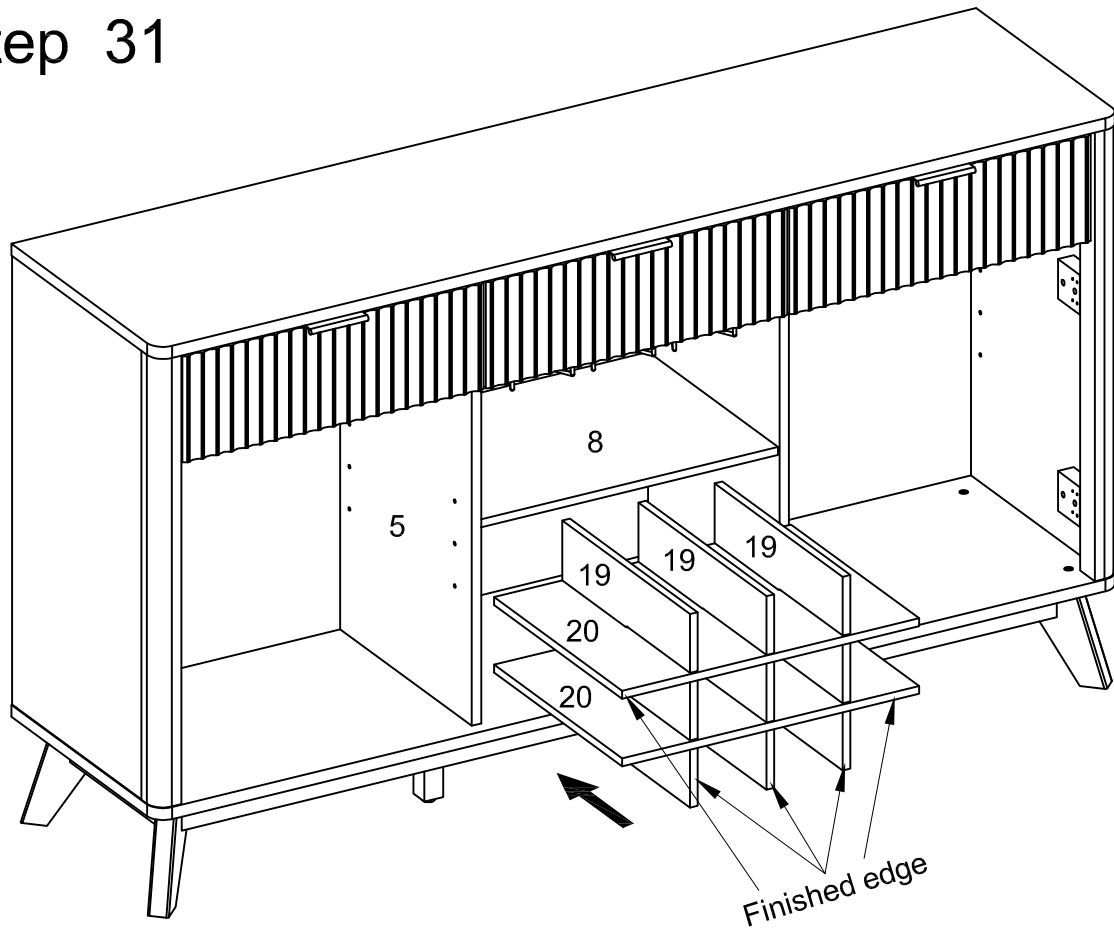
# Step 29



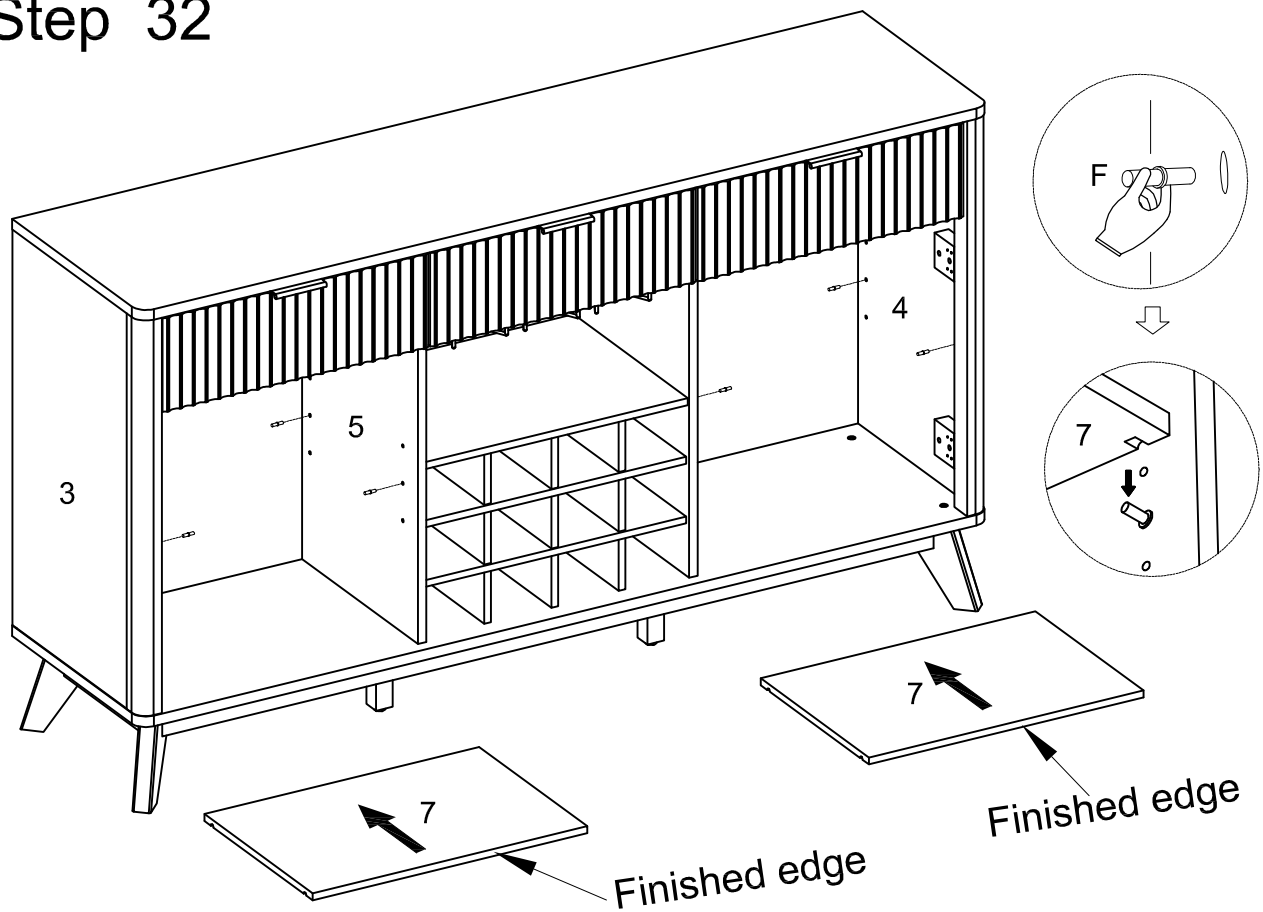
# Step 30



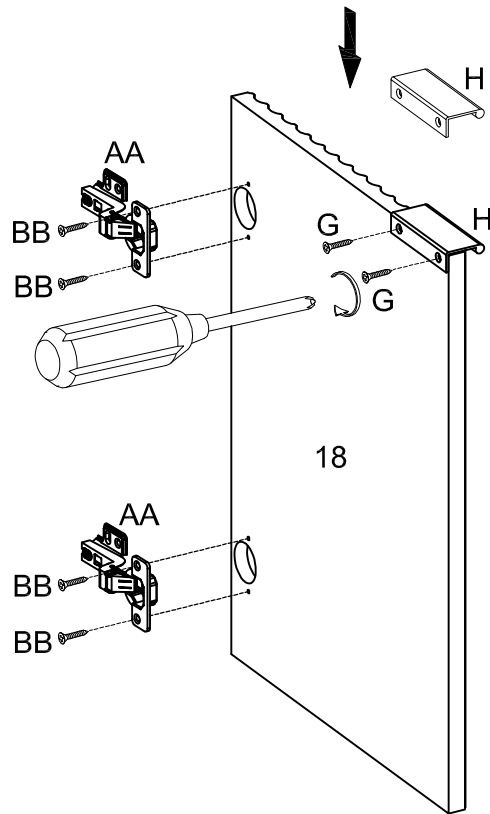
# Step 31



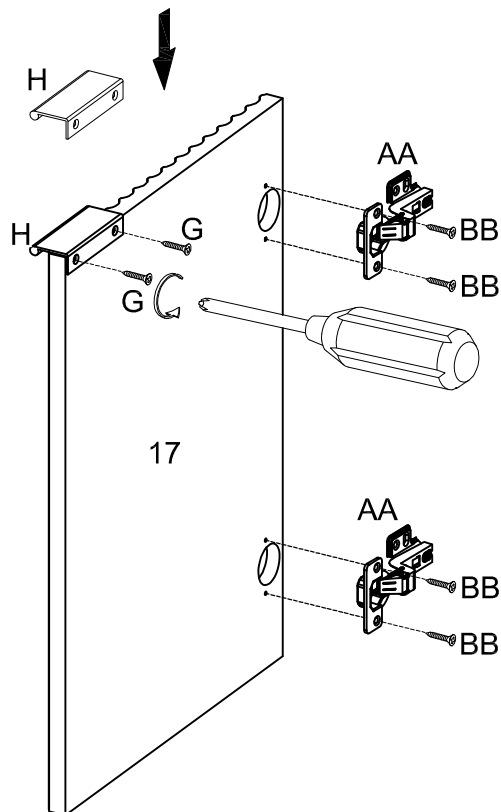
# Step 32



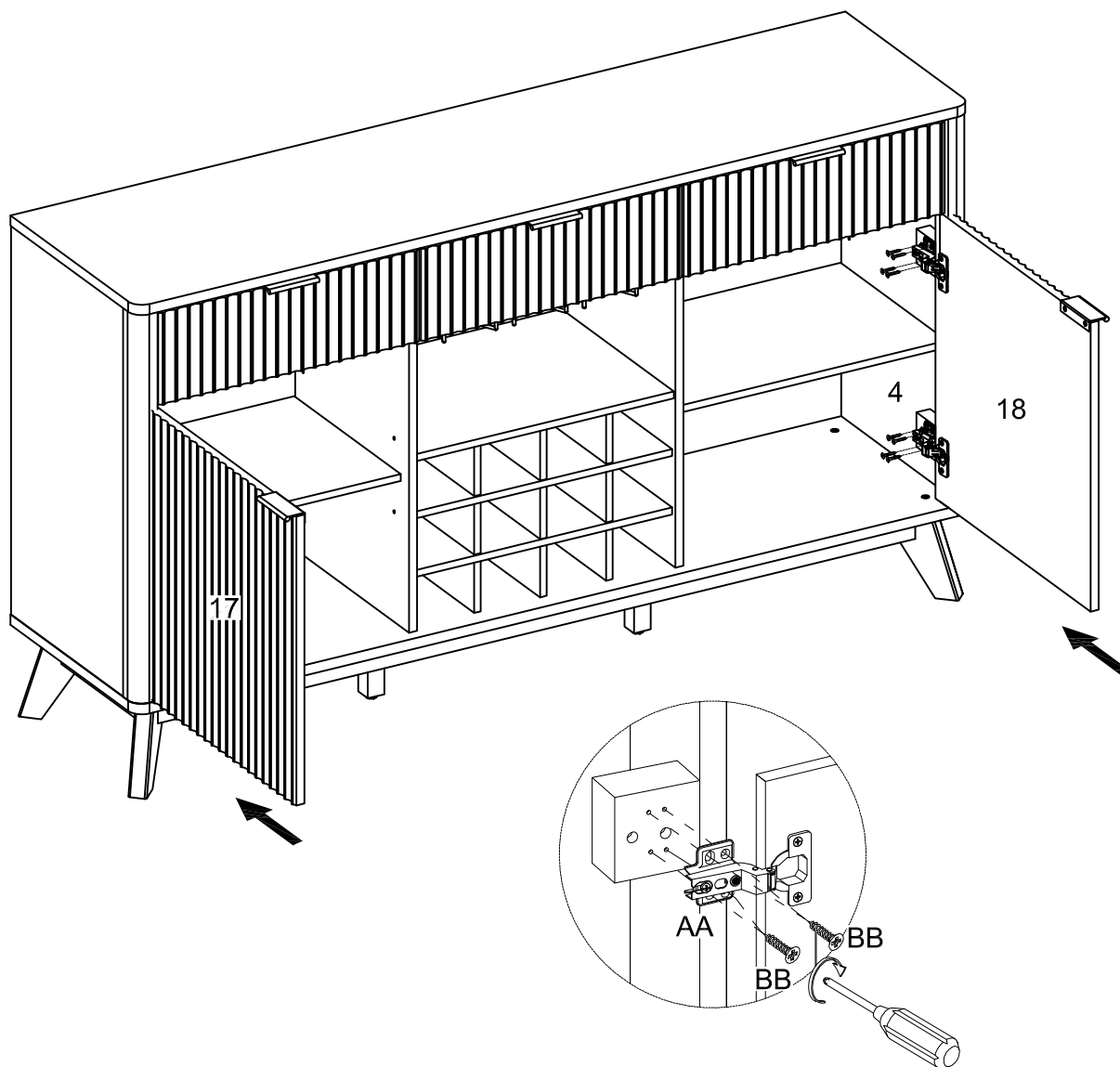
# Step 33



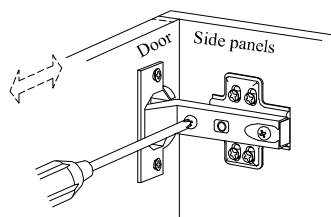
# Step 34



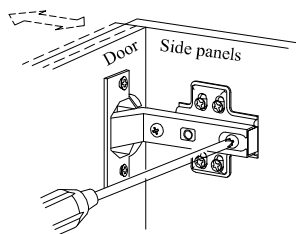
# Step 35



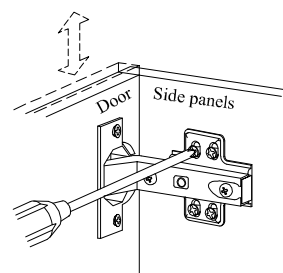
Concealed hinges are three-way adjustable.



Horizontal  
by screw adjustment

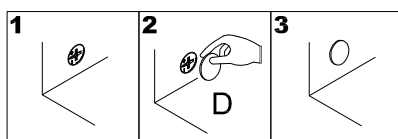
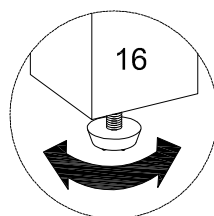
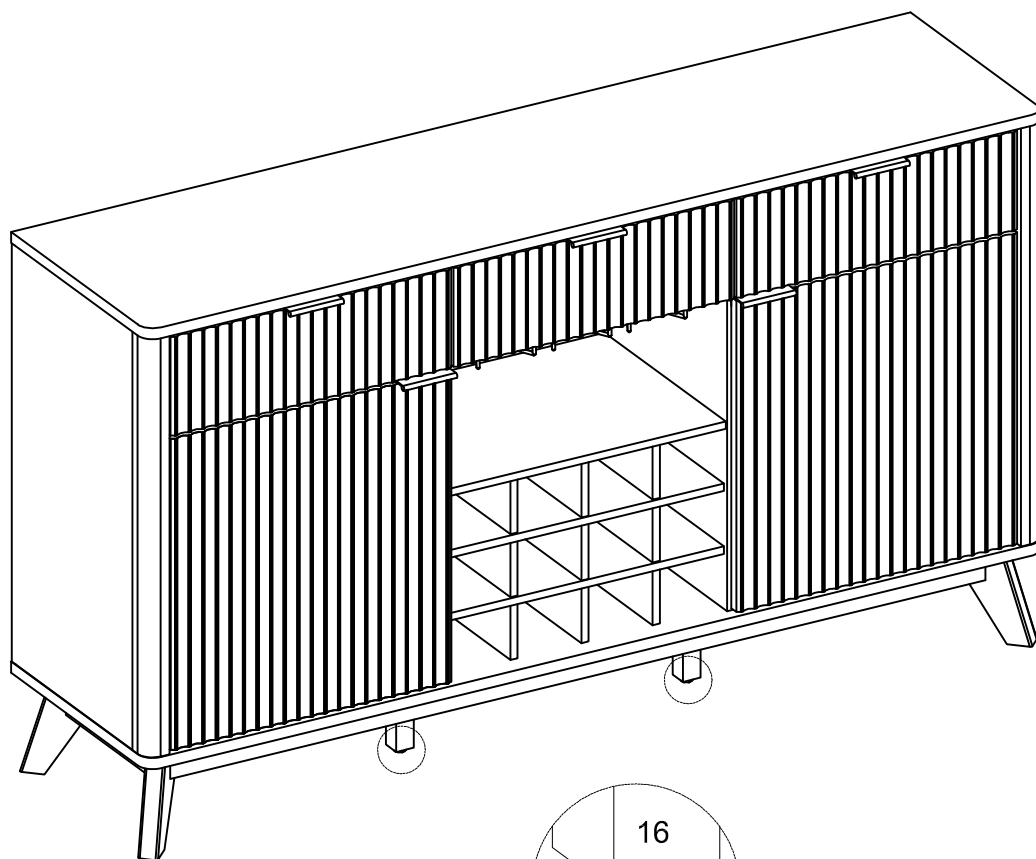


In-and-Out  
by loosening the hinge-arm  
mounting screw or via cam  
adjustment

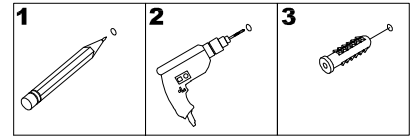


Vertical  
Via slots in the mounting  
plate or via cam adjustment

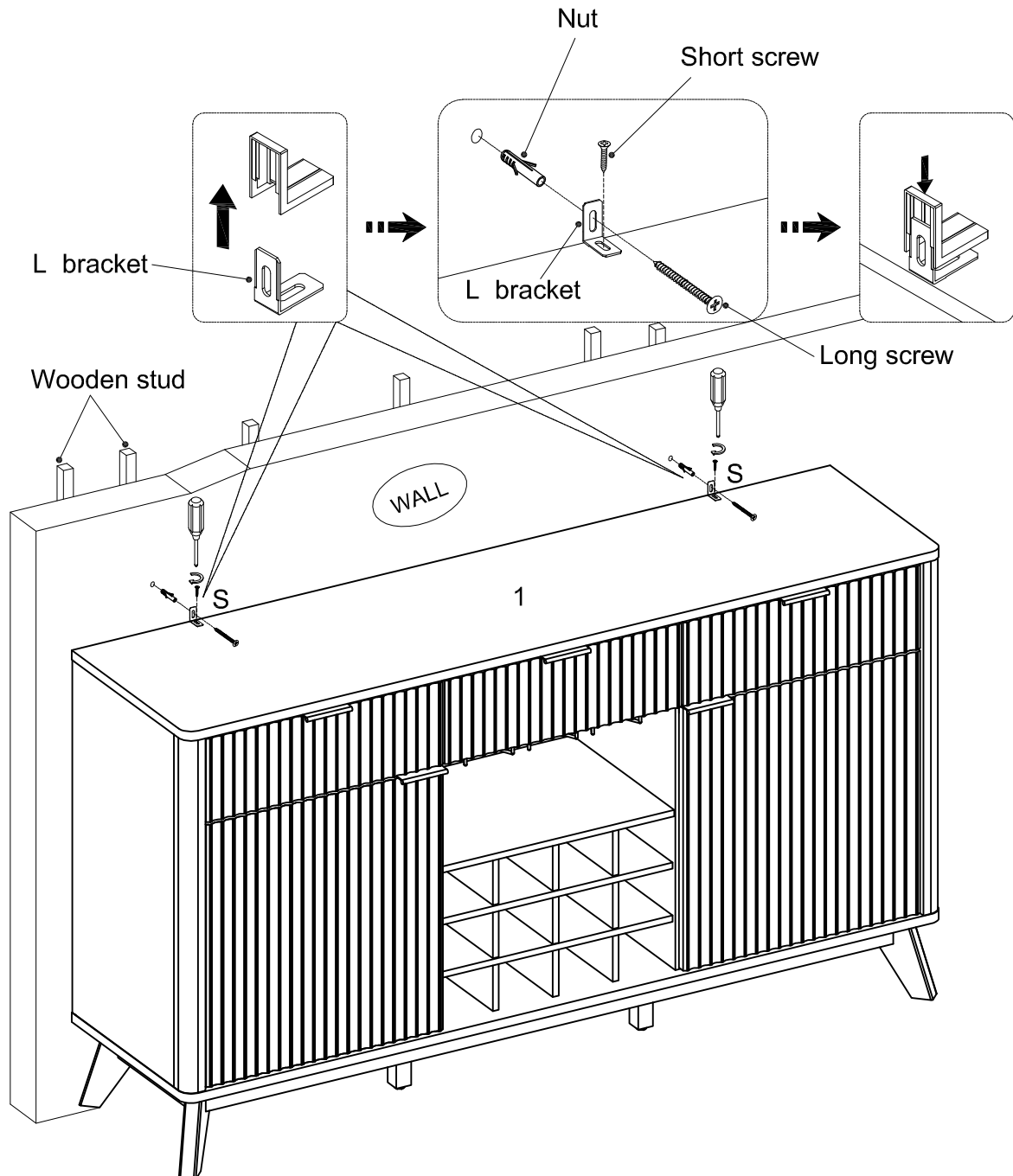
# Step 36



# Step 37



Serious or fatal injuries can occur from furniture tipping over. To prevent the furniture from tipping over we recommend that it is permanently fixed to the wall. Wall anchor and hardware are included with this product. Please make sure hardware is suitable for your walls before installing, as different wall materials may require different types of anchors.



## Final Assembly