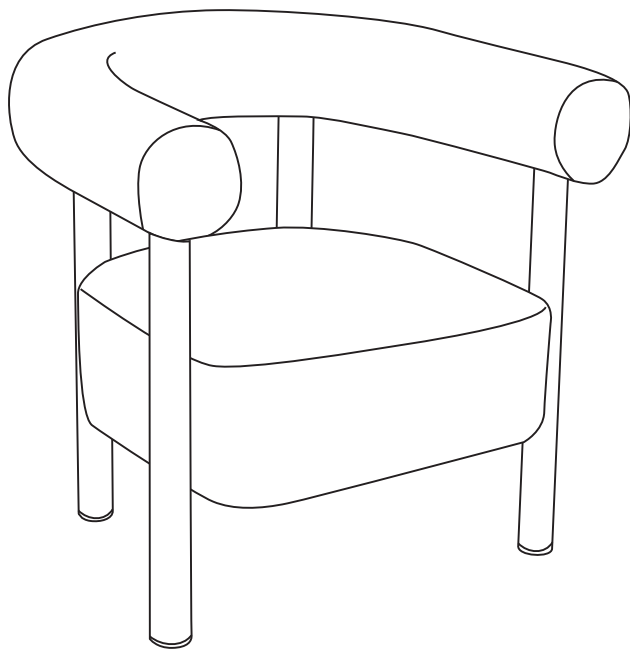


Accent Chair

Assembly Guide



IMPORTANT: please read these instructions fully before starting assembly



**SAFETY AND
CARE ADVICE**



NO POWER TOOLS

- Check you have all the components and tools listed
- Remove all fittings from their bags and separate into groups
- We do not recommend use of power tools - this could damage the unit. Only use hand screwdrivers and Allen keys
- Keep children and animals away from the work area, small parts could cause choking if swallowed
- Make sure you have enough space to lay out the parts before starting
- Assemble the item as close to its final position (same room) as possible
- Do not over tighten the nuts to avoid damage to the threads
- Only clean using a damp cloth and mild detergent. Do not use bleach or abrasive cleaners
- From time to time, check there are no loose screws in this unit
- This product should not be discarded with household waste. Take to your local authority waste disposal centre
- Unless otherwise stated, this product is designed for domestic use and is not certified for commercial or contract settings.

IMPORTANT INFORMATION



20Minute
Build







Two Person
Build



Max Weight
Capacity
120kg






Note: Assembly estimates are approximate and can differ based on the specific environment and user experience.

WHAT'S IN THE BOX

Label	Part Name	Drawing	Quantity
1	Chair Back		1
2	Chair Seat		1
3	Leg		1
4	Leg		1

WHAT'S IN THE BOX

Note: the quantities are the correct amount to complete the assembly. In some cases more fixings may be supplied than are required.

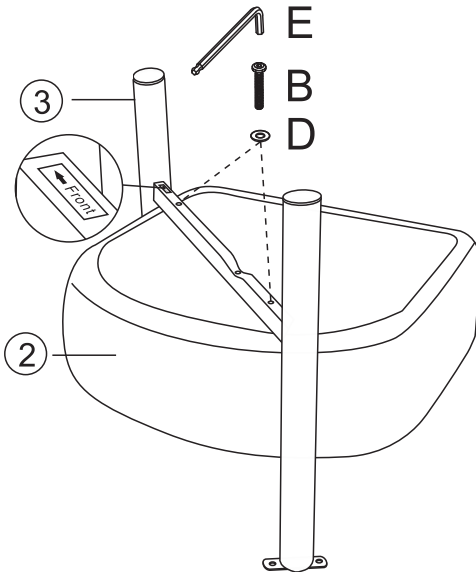
Label	Hardware Description	Drawing	Size(mm)	Quantity
A	Screw		M6 x 25	6
B	Screw		M6 x 50	4
C	Screw		M6 x 30	1
D	Washer		M6 x 16	11
E	Allen		M5	1




Note:

- Use a clear, flat surface to avoid bumps or scratches before assembling.
- Insert all fixings loosely at first to allow for alignment; only tighten them once everything is properly positioned, as some adjustment may be required.
- Avoid over-tightening, as this may damage the parts.
- Seek assistance when moving large or heavy parts

STEP 1

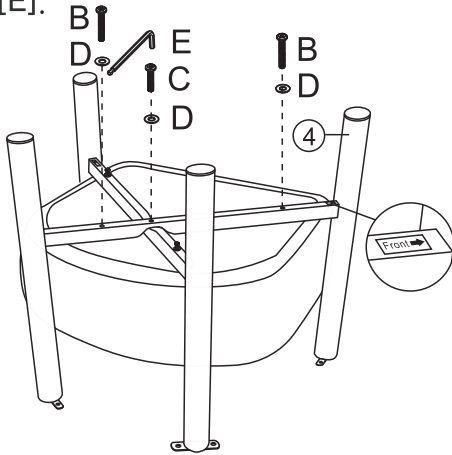
Secure Legs [3] to Seat [2] using 2x Screws [B] and 2 x Washers [D], Loosely tighten by Allen Key [E].







B		2
D		2
E		1

STEP 2

Secure Legs [4] to Legs [3] and seat [2] using 2x Screws [B] and 2 x Washers [D] loosely tighten by Allen Key [E]. Fix Leg [3] and Leg [4] using 1 x Screws [B] and 1 x Washers [D] loosely tighten by Allen Key [E].






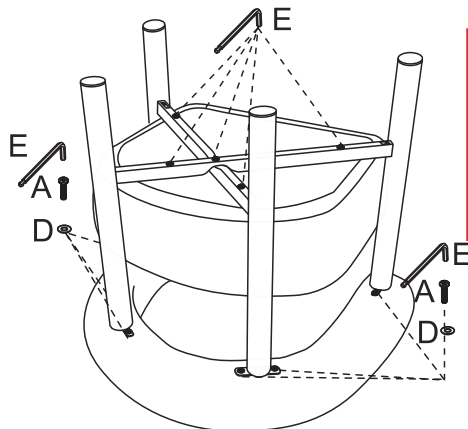
B		2
C		1
D		3
E		1

STEP 3

Fix Back [1] to the Leg Frame through holes shown using 4 x Screws [A] and 4 x Washers [D] by Allen Key [E].

Tighten all Screws 100%.

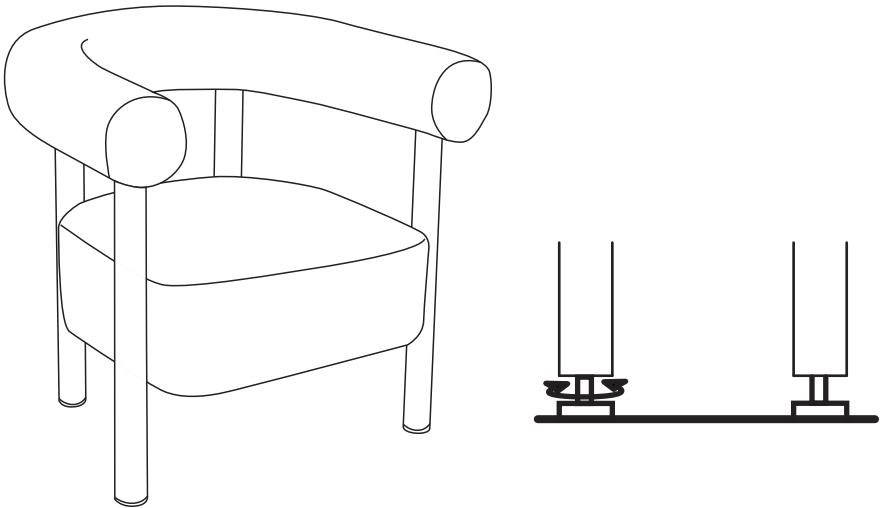
A		6
D		6
E		1



STEP 4

Once secure, place the chair upright on a level surface and adjust screw Feet and keep all legs in the same horizontal plane.

Your new chair is now ready to use!



Please ensure any and all fixings and fittings are FULLY tightened before using this product



our 2 year GUARANTEE

Our products come with a 2 year guarantee, giving you extra peace of mind when shopping with us!

What the guarantee covers



PRE-INSERTED FIXINGS
e.g. loose metal threads



FAULTY JOINTS
e.g. legs bending



EXTERNAL FIXING FAULTS
e.g. metal discs removing
from table top



STRUCTURAL INTEGRITY
e.g. the frame of the
product
