

ASSEMBLY INSTRUCTIONS

Thank you for purchasing this quality Product. Be sure to check all packing material carefully for small parts, which may have come loose inside carton during shipment. Identify and count all parts and compare with the parts list below.







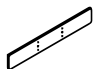
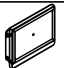








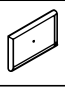

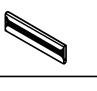
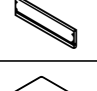
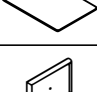
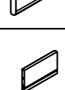



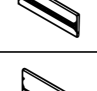
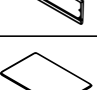


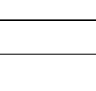
ASSEMBLY INSTRUCTION:

1. Remove hardware from box and sort by size.
2. Please check to see that all hardware and parts are present prior start of assembly.
3. Please follow attached instruction in the same sequence as numbered above for fast and easy assembly.

WARNING!

1. Do not attempt to repair or modify parts that are broken or defective. Please contact the store immediately.
2. This product is for home use only and not intended for commercial establishments.
3. Two persons are required for assembly.
4. Approximate assembly time 1/2 hours.
5. Component parts and fittings contained in the box. Please sort out all parts before you begin to assemble the item. This is to make sure you always use the correct part.
6. It is **STRONGLY RECOMMENDED** that you **ANCHOR** this product. Tying furniture can cause serious injuries and death. To prevent your furniture from tipping forward it is strongly recommended that you securely attach this product to a wall or other solid surface, using the anchor straps provided appropriate fixings.

| No. | Component | Q'ty |
|-----|--|------|
| 1 |  Side Panel-Left | 1 |
| 2 |  Side Panel-Right | 1 |
| 3 |  Middle Panel Left | 1 |
| 4 |  Middle Panel Right | 1 |
| 5 |  Front Rail - Above | 1 |
| 6 |  Back Panel - Up | 1 |
| 7 |  Back Panel - Low | 1 |
| 8 |  Mid Panel Up | 1 |
| 9 |  Bottom Panel | 1 |
| 10 |  Mid Rail #1 | 2 |
| 11 |  Mid Rail #2-Left | 1 |
| 12 |  Mid Rail #2-Right | 1 |
| 13 |  Door - Left | 1 |
| 14 |  Door - Right | 1 |

| No. | Component | Q'ty |
|-----|--|------|
| 15 |  Front Drawer Panel L-R | 2 |
| 16 |  Back Drawer Panel L-R | 2 |
| 17 |  Sides Drawer Panel L-R | 2 |
| 18 |  Sides Drawer Panel L-R | 2 |
| 19 |  Bottom Drawer Panel L-R | 2 |
| 20 |  Front Drawer Panel Up | 3 |
| 21 |  Back Drawer Panel Up | 3 |
| 22 |  Sides Drawer Panel up | 1 |
| 23 |  Sides Drawer Panel up | 1 |
| 24 |  Bottom Drawer Panel Up | 1 |
| 25 |  Sides Drawer Panel Low | 2 |
| 26 |  Sides Drawer Panel Low | 2 |
| 27 |  Bottom Drawer Panel Low | 2 |
| 28 |  Sink | 1 |

ASSEMBLY INSTRUCTIONS

Thank you for purchasing this quality Product. Be sure to check all packing material carefully for small parts, which may have come loose inside carton during shipment. Identify and count all parts and compare with the parts list below.

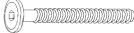

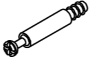








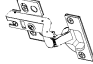


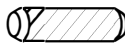


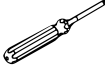
ASSEMBLY INSTRUCTION:

1. Remove hardware from box and sort by size.
2. Please check to see that all hardware and parts are present prior start of assembly.
3. Please follow attached instruction in the same sequence as numbered above for fast and easy assembly.

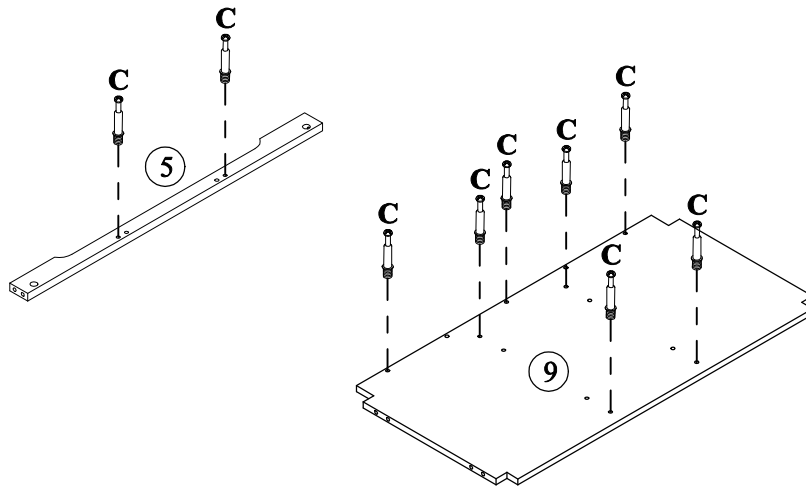
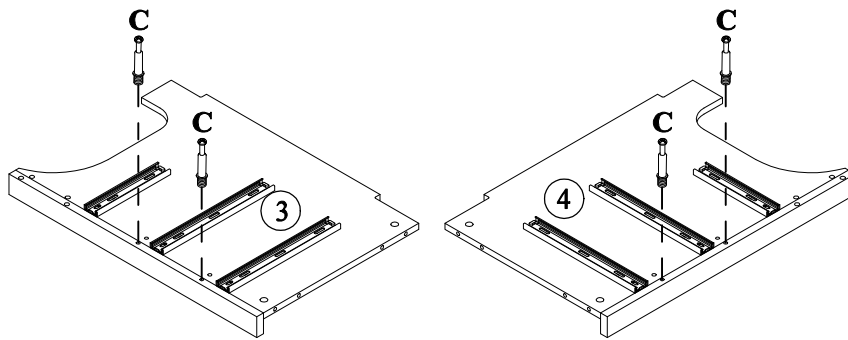
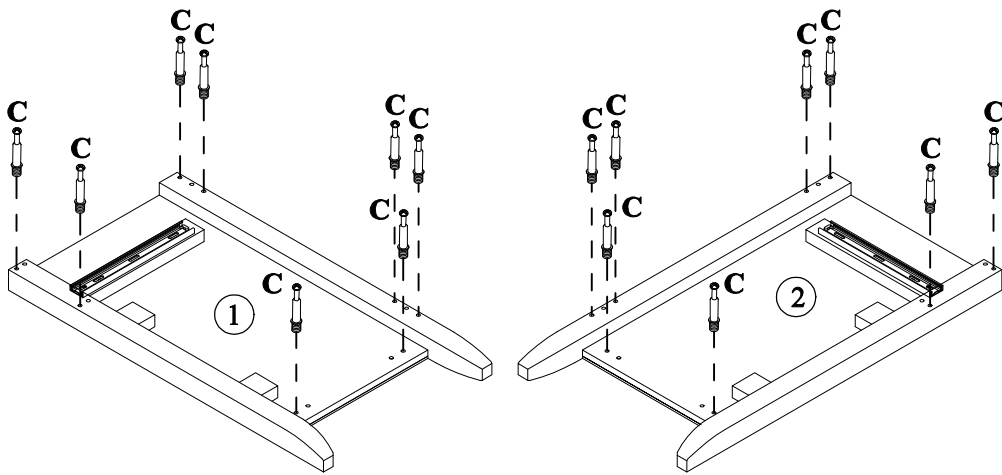
WARNING!

1. Do not attempt to repair or modify parts that are broken or defective. Please contact the store immediately.
2. This product is for home use only and not intended for commercial establishments.
3. Two persons are required for assembly.
4. Approximate assembly time 1/2 hours.
5. Component parts and fittings contained in the box. Please sort out all parts before you begin to assemble the item. This is to make sure you always use the correct part.
6. It is **STRONGLY RECOMMENDED** that you **ANCHOR** this product. Tipping furniture can cause serious injuries and death. To prevent your furniture from tipping forward it is strongly recommended that you securely attach this product to a wall or other solid surface, using the anchor straps provided appropriate fixings.

| No. | Hardware | Q'ty |
|-----|---|------|
| A |  Allen Bolts 1/4" x 50 | 4 |
| B |  Flat Washers 1/4" x 16 x 1 | 4 |
| C |  Cam Lock Screws | 29 |
| D |  Cam Lock | 29 |
| E |  Screws $\varnothing 8 \times \varnothing 4 \times 25 \text{mm}$ | 8 |
| F |  Screws $\varnothing 8 \times \varnothing 4 \times 32 \text{mm}$ | 42 |
| G |  Handle | 8 |
| H |  Screws $\varnothing 5/32" \times 20 \text{mm}$ | 3 |
| I |  Screws $\varnothing 5/32" \times 32 \text{mm}$ | 5 |

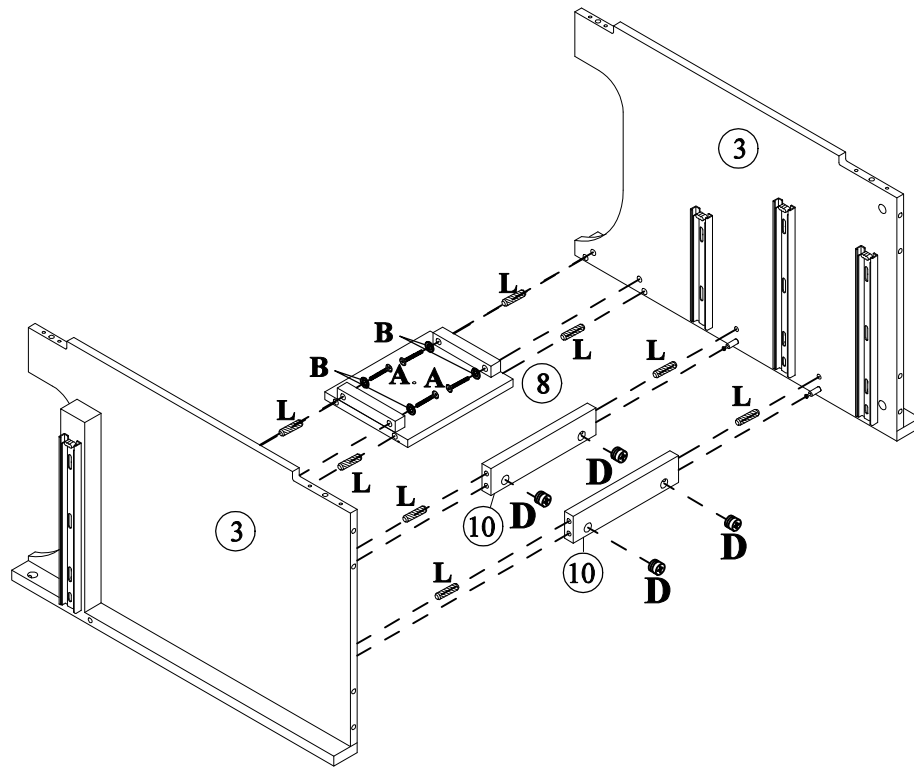
| No. | Hardware | Q'ty |
|---|--|--------------|
| J |  Hinges | 4 |
| K |  Screws $\varnothing 7 \times \varnothing 3.5 \times 15 \text{mm}$ | 24 |
| L |  Wooden $\varnothing 8 \times 30 \text{mm}$ | 34 |
| M |  Wooden $\varnothing 6 \times 30 \text{mm}$ | 20 |
| N |  Allen key | 1 |
| O |  Anti fall hardware (sets) | 1 |
|  | | Not Included |

Step 1



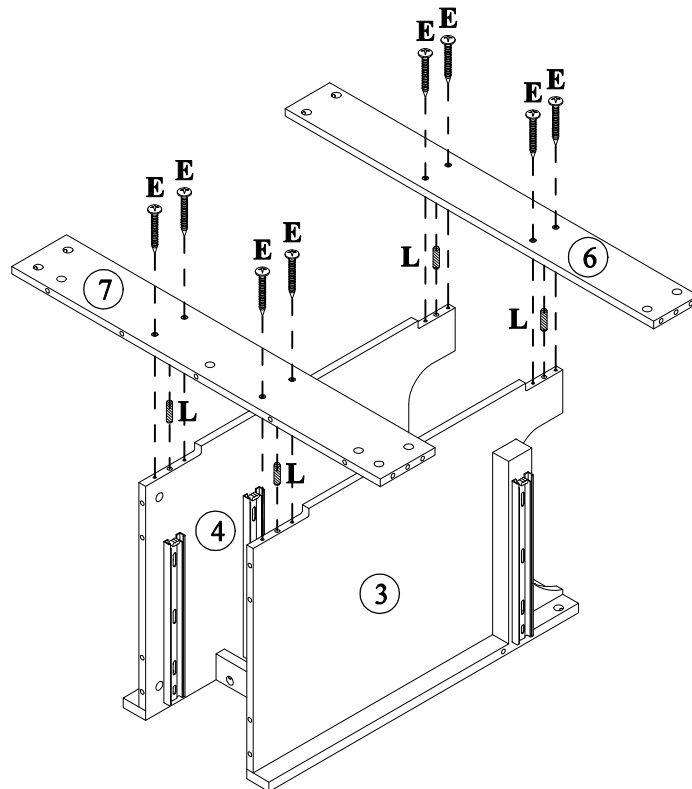
| No | Hardware | Q'ty |
|----|-----------------|------|
| C | Cam Lock Screws | 29 |

Step 2



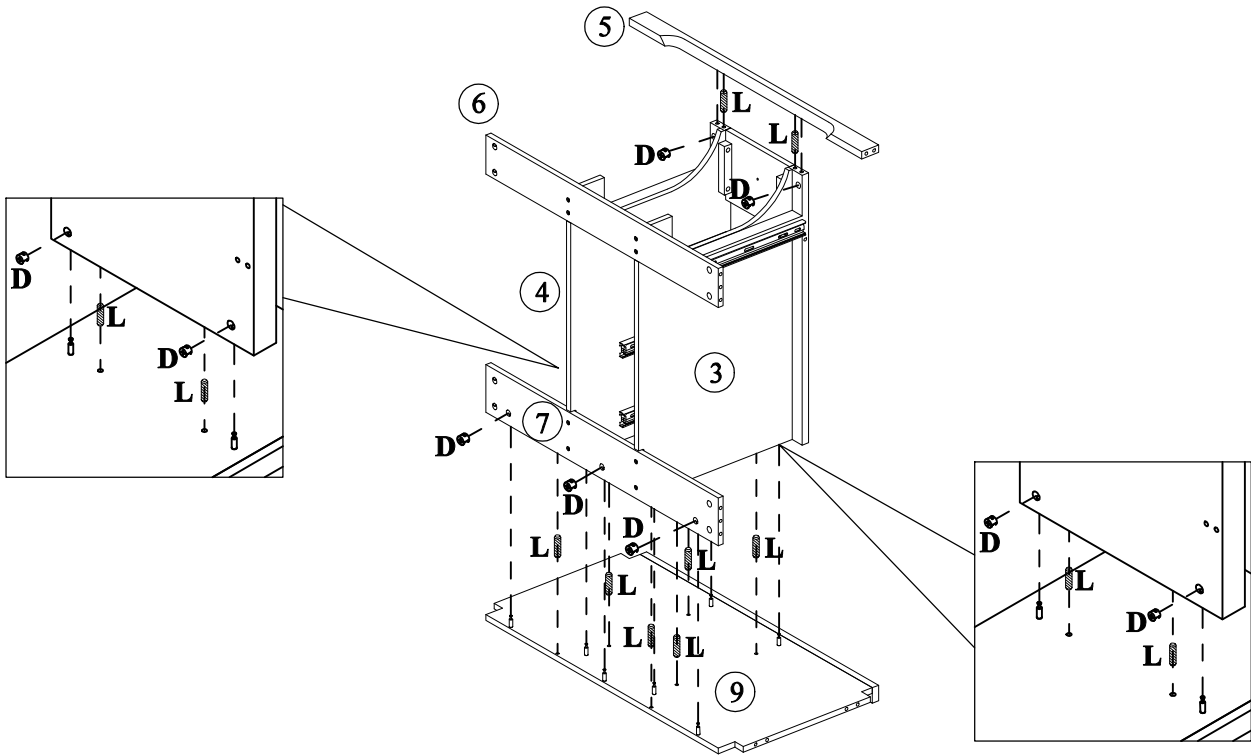
| No | Hardware | Q'ty |
|----|--|------|
| A | Allen Bolts 1/4" x 50 | 4 |
| B | Flat Washers 1/4"x16x1 | 4 |
| D | Cam Lock | 4 |
| L | Wooden $\varnothing 8 \times 30 \text{mm}$ | 8 |
| N | Allen key | 1 |

Step 3



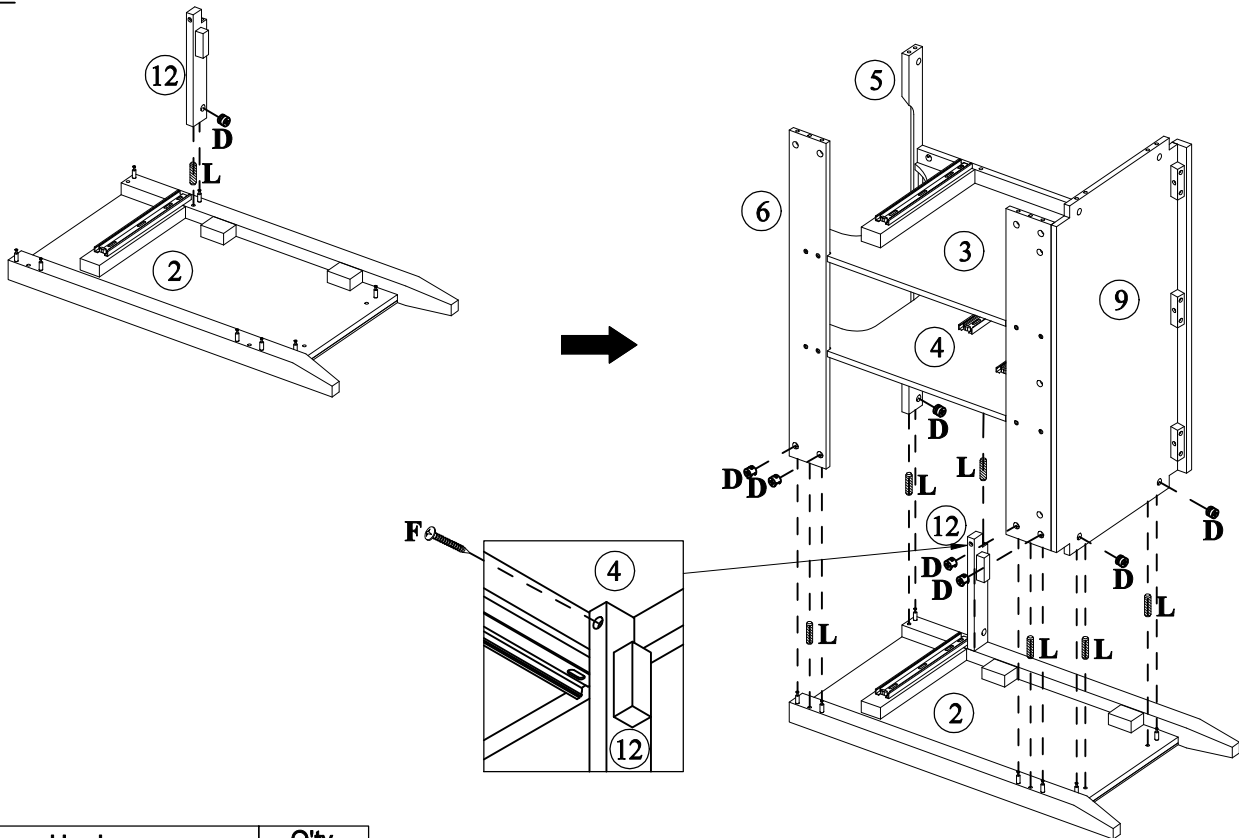
| No | Hardware | Q'ty |
|----|---|------|
| E | Screws $\varnothing 8 \times \varnothing 4 \times 25 \text{mm}$ | 8 |
| L | Wooden $\varnothing 8 \times 30 \text{mm}$ | 4 |

Step 4



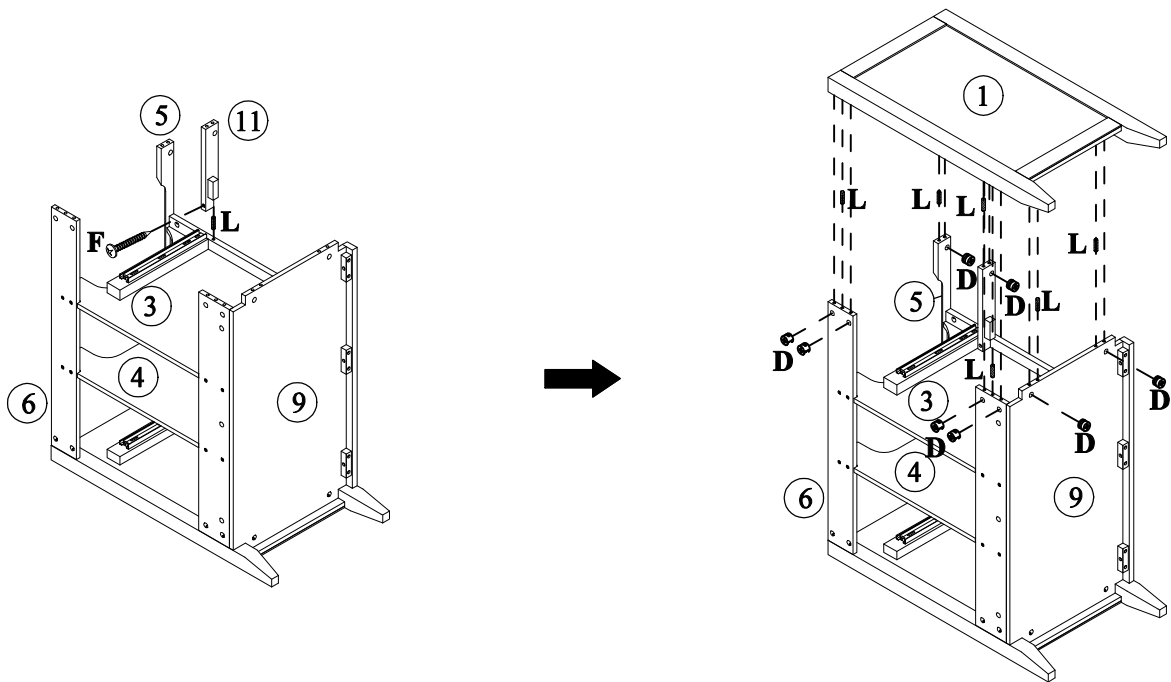
| No | Hardware | Q'ty |
|----|----------------|------|
| D | Cam Lock | 9 |
| L | Wooden ø8x30mm | 8 |

Step 5



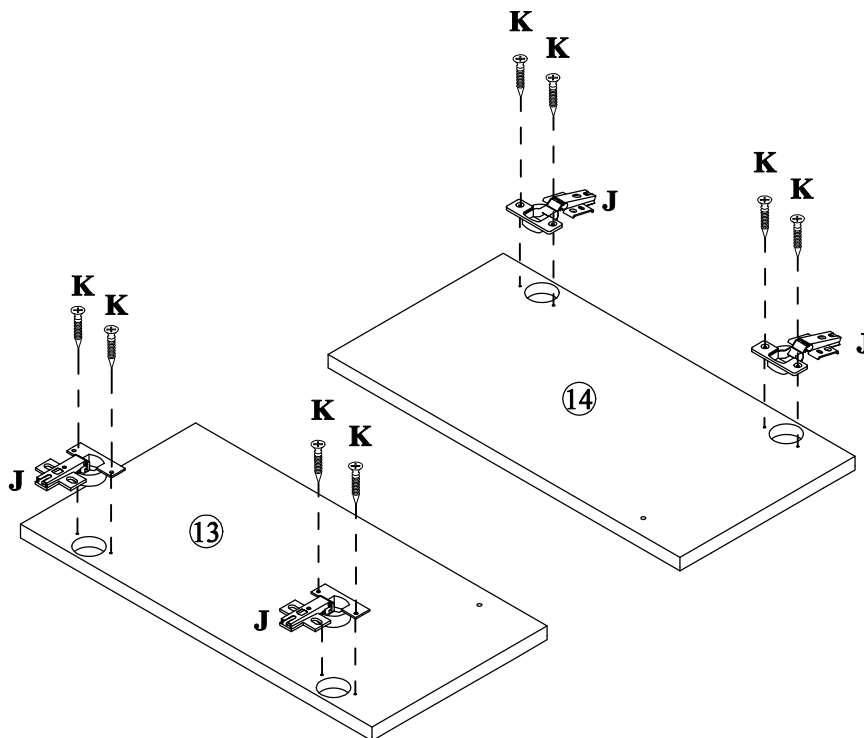
| No | Hardware | Q'ty |
|----|-------------------|------|
| D | Cam Lock | 8 |
| F | Screws ø8xø4x32mm | 1 |
| L | Wooden ø8x30mm | 7 |

Step 6



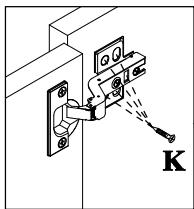
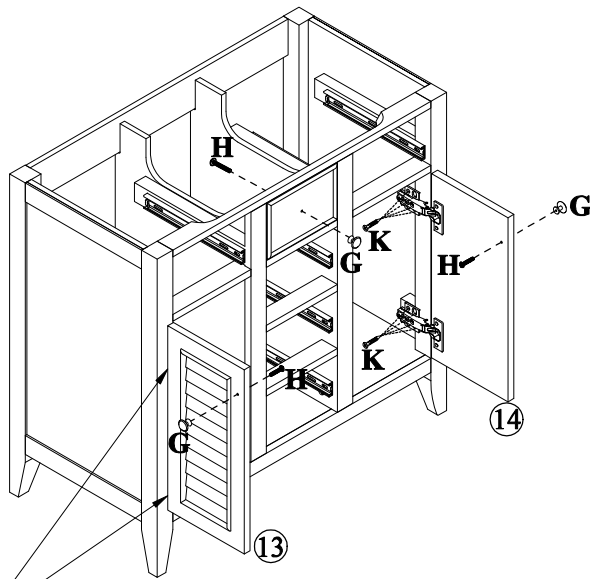
| No | Hardware | Q'ty |
|----|---|------|
| D | Cam Lock | 8 |
| F | Screws $\varnothing 8 \times \varnothing 4 \times 32 \text{mm}$ | 1 |
| L | Wooden $\varnothing 8 \times 30 \text{mm}$ | 7 |

Step 7

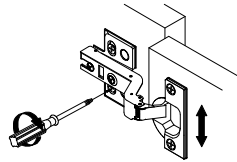


| No | Hardware | Q'ty |
|----|---|------|
| J | Hinges | 4 |
| K | Screws $\varnothing 7 \times \varnothing 3.5 \times 15 \text{mm}$ | 8 |

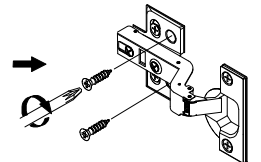
Step 8



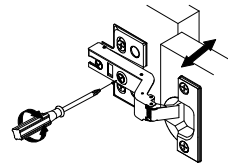
Use the screws to adjust up or down



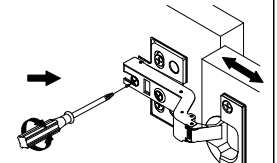
Use the screws to permanent



Use the screws to adjust left or right

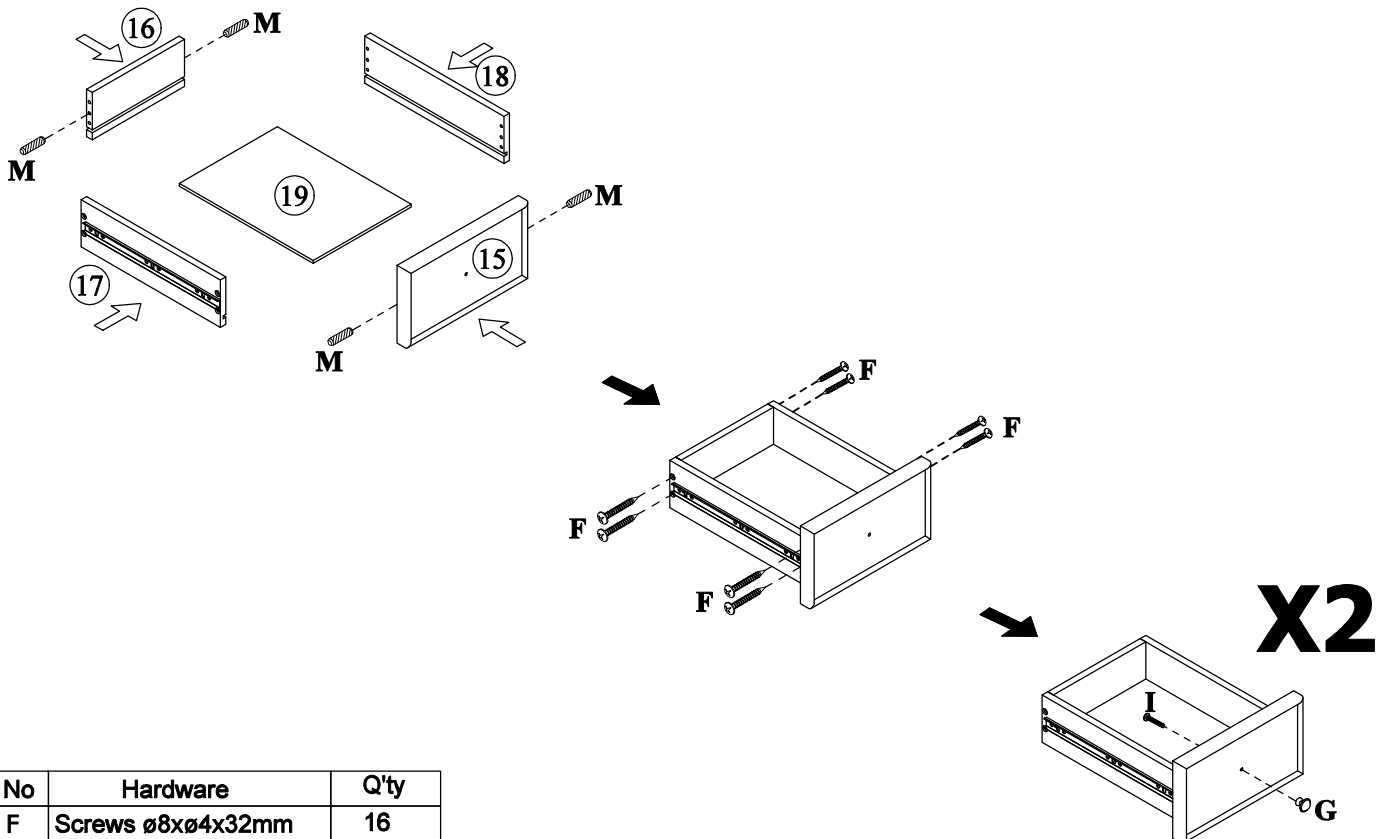


Use the screws to adjust in or out



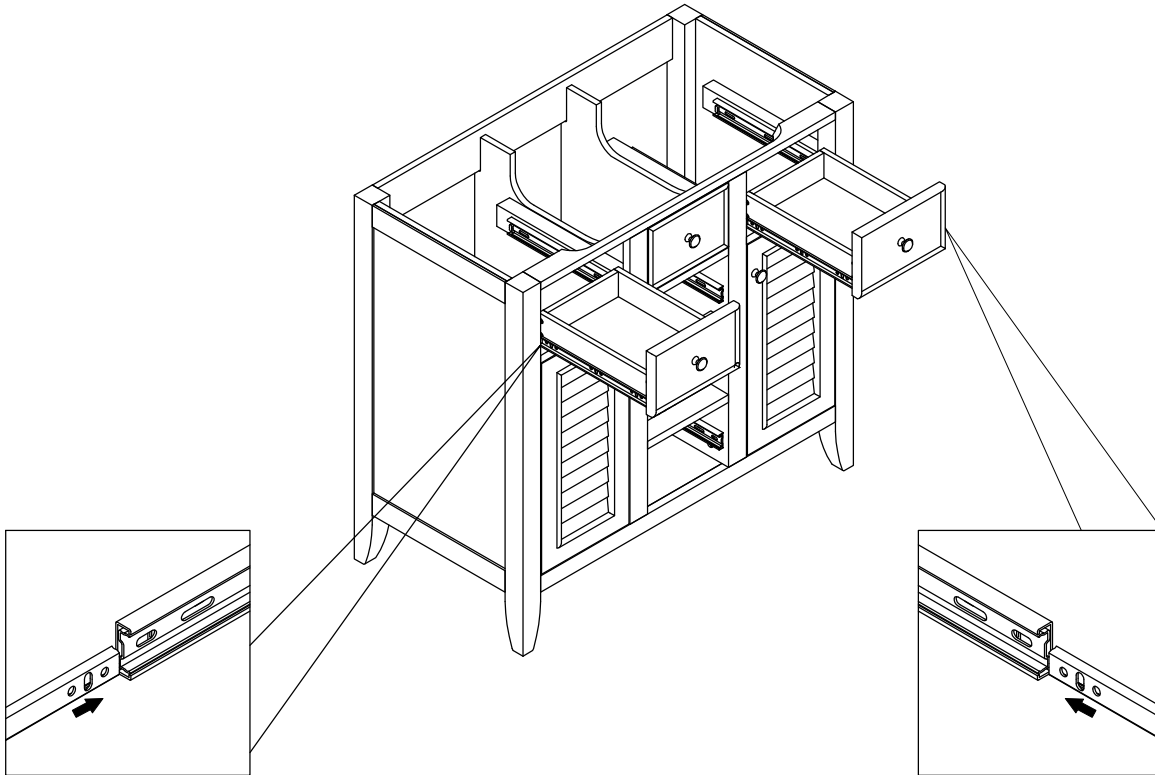
| No | Hardware | Q'ty |
|----|---|------|
| K | Screws $\varnothing 7 \times \varnothing 3.5 \times 15 \text{mm}$ | 16 |
| G | Handle | 3 |
| H | Screws $\varnothing 5/32" \times 32 \text{mm}$ | 3 |

Step 9

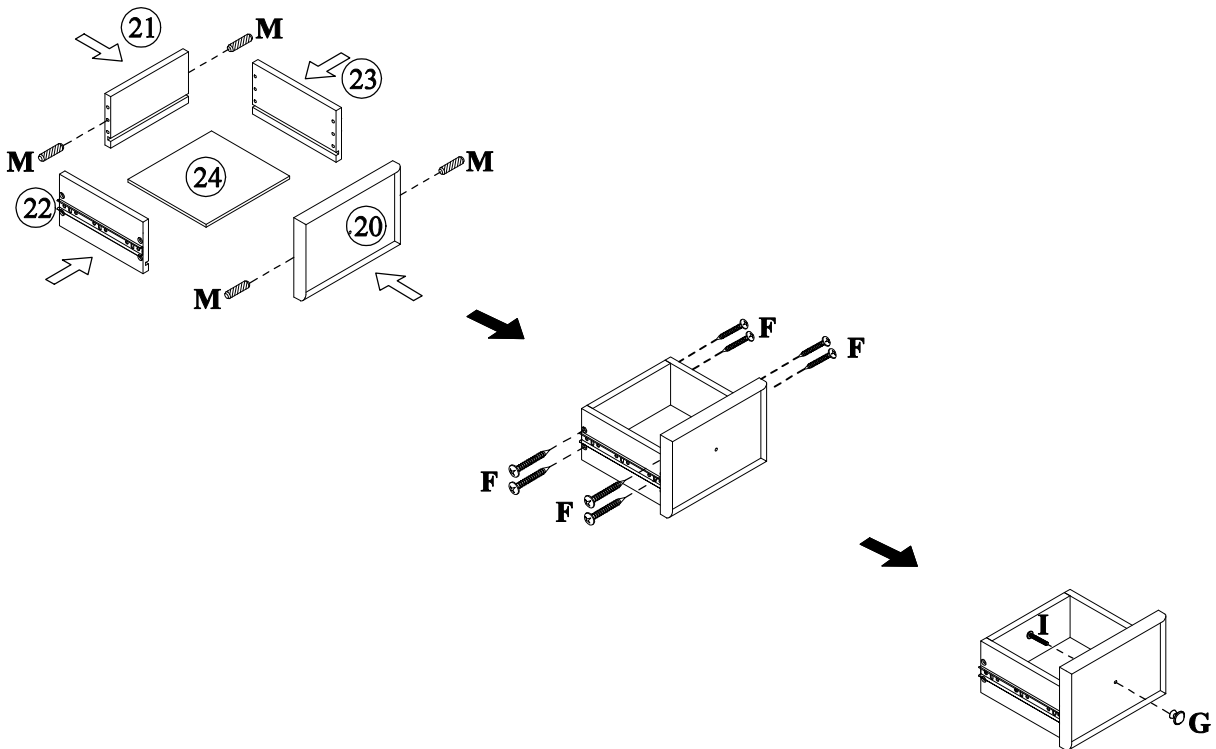


| No | Hardware | Q'ty |
|----|---|------|
| F | Screws $\varnothing 8 \times \varnothing 4 \times 32 \text{mm}$ | 16 |
| G | Handle | 2 |
| I | Screws $\varnothing 5/32" \times 35 \text{mm}$ | 2 |
| M | Wooden $\varnothing 6 \times 30 \text{mm}$ | 8 |

Step 10

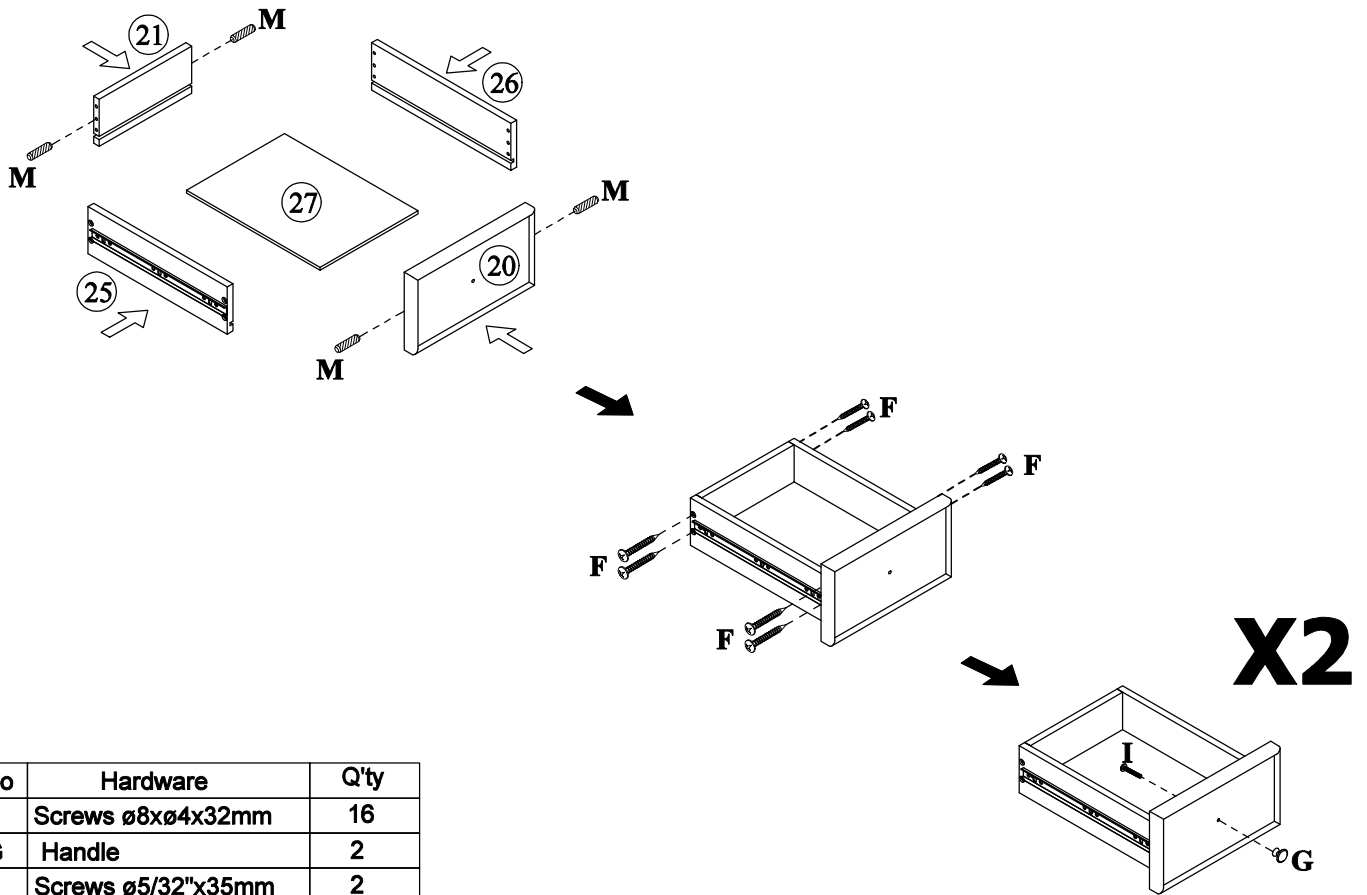


Step 11



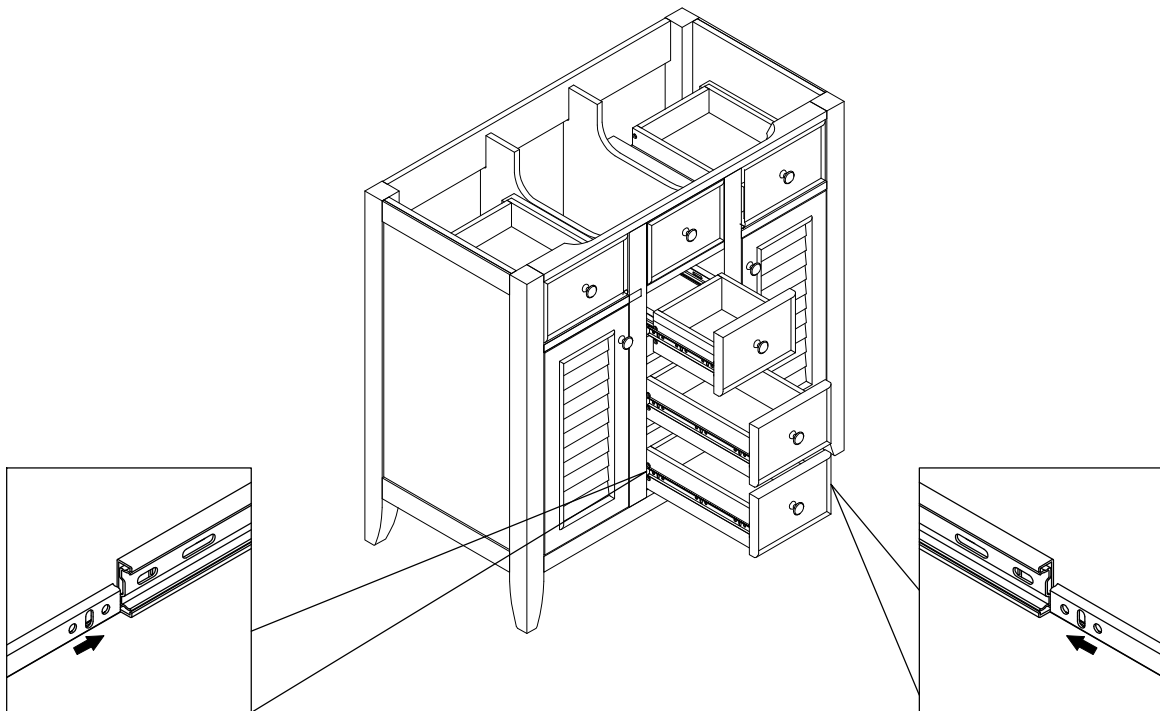
| No | Hardware | Q'ty |
|----|---|------|
| F | Screws $\varnothing 8 \times \varnothing 4 \times 32 \text{mm}$ | 8 |
| G | Handle | 1 |
| I | Screws $\varnothing 5/32" \times 35 \text{mm}$ | 1 |
| M | Wooden $\varnothing 6 \times 30 \text{mm}$ | 4 |

Step 12

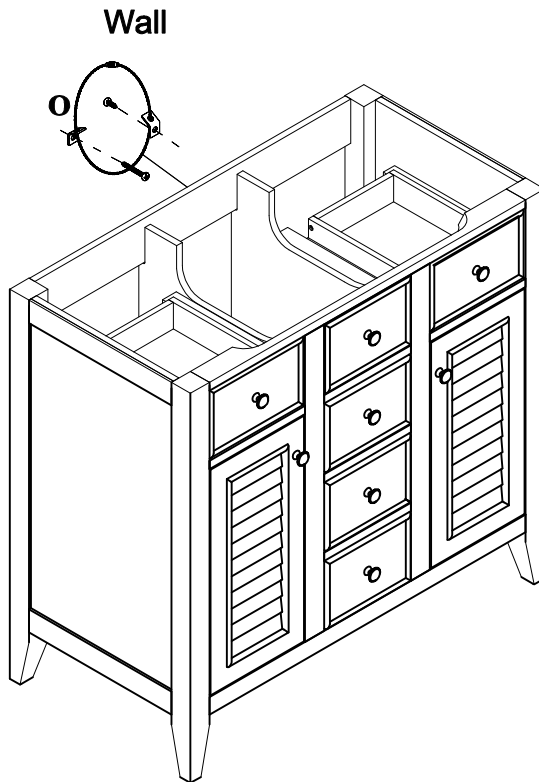


| No | Hardware | Q'ty |
|----|---|------|
| F | Screws $\varnothing 8 \times \varnothing 4 \times 32 \text{mm}$ | 16 |
| G | Handle | 2 |
| I | Screws $\varnothing 5/32" \times 35 \text{mm}$ | 2 |
| M | Wooden $\varnothing 6 \times 30 \text{mm}$ | 8 |

Step 13

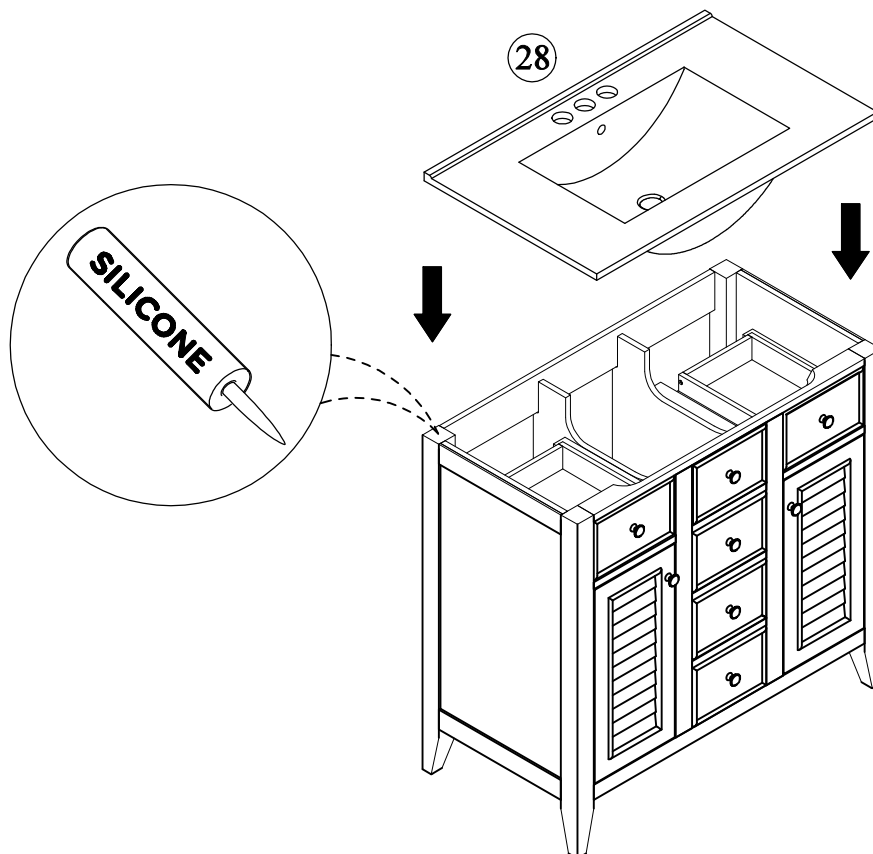


Step 14



| No | Hardware | Q'ty |
|----|--------------------|------|
| O | Anti fall hardware | 1 |

Step 15



Step 16

