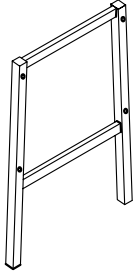
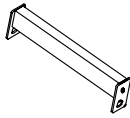


# ASSEMBLY INSTRUCTION

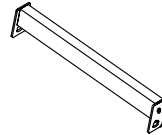
**A** Chair Frame L&R    **B** Seat Rail L&R    **C** Cross Bar L&R    **D** Seat Cushion



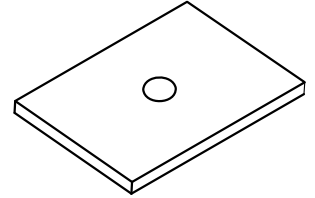
4PCS



4PCS

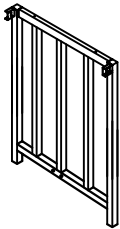


4PCS

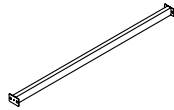


2PCS

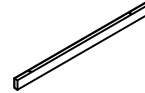
**E** Table Side Frame L&R    **F** Bottom Cross Bar    **G** Table Rail L&R    **H** Table Top



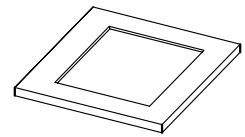
2PCS



1PC



2PCS



1PC

**I** Bolt 1/4"\*16mm    **J** Screw 5mm\*42mm    **K** Screw 5mm\*70mm    **L** L-Allen Key 4mm



36PCS



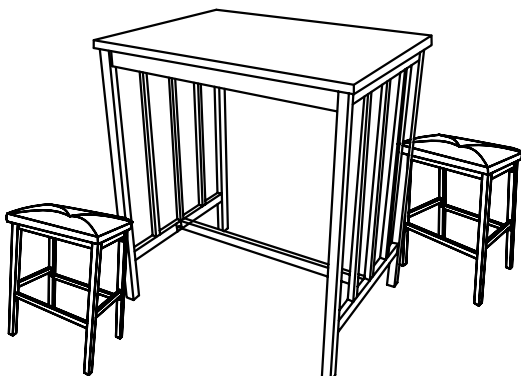
8PCS



4PCS



1PC

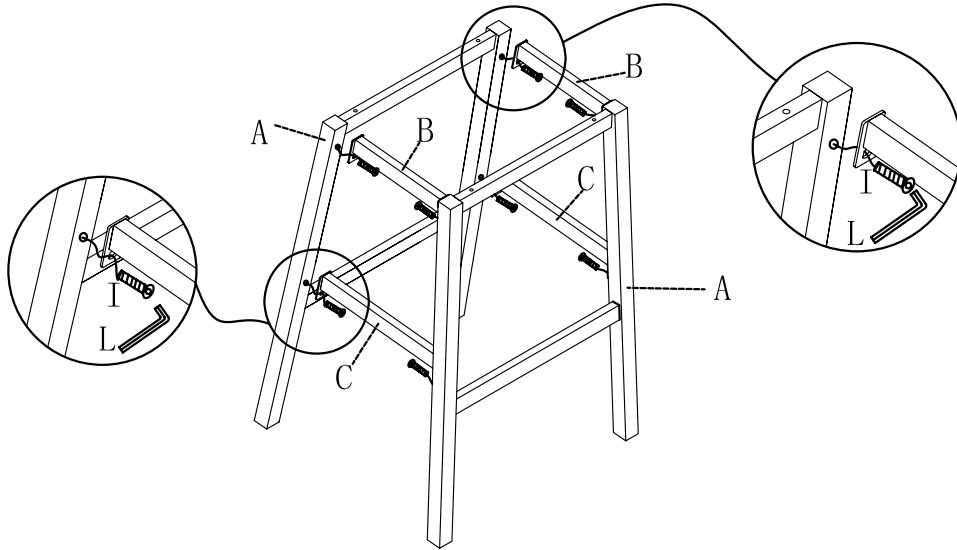


This page lists all the contents included in the box. Please take the time to identify the hardware as well as the individual components to this product. As you unpack and prepare for assembly, place the contents on a carpeted or padded area to protect them from damage.

# COUNTER HEIGHT CHAIR

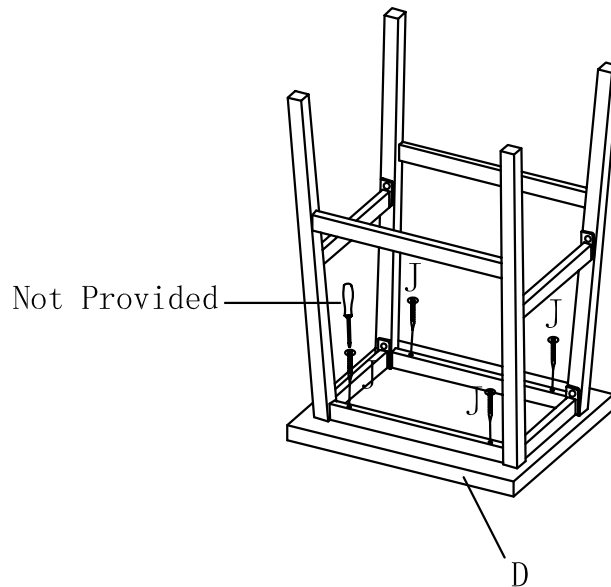
1

Align the Chair Frame L&R(A) to the Seat Rail L&R(B) and Cross Bar L&R(C), insert the Bolt(I) to the holes, turn the L-Allen Key(L) to tighten them.



2

Attach the Seat Cushion(D) to the seat, insert the Screw(J) then tighten it.



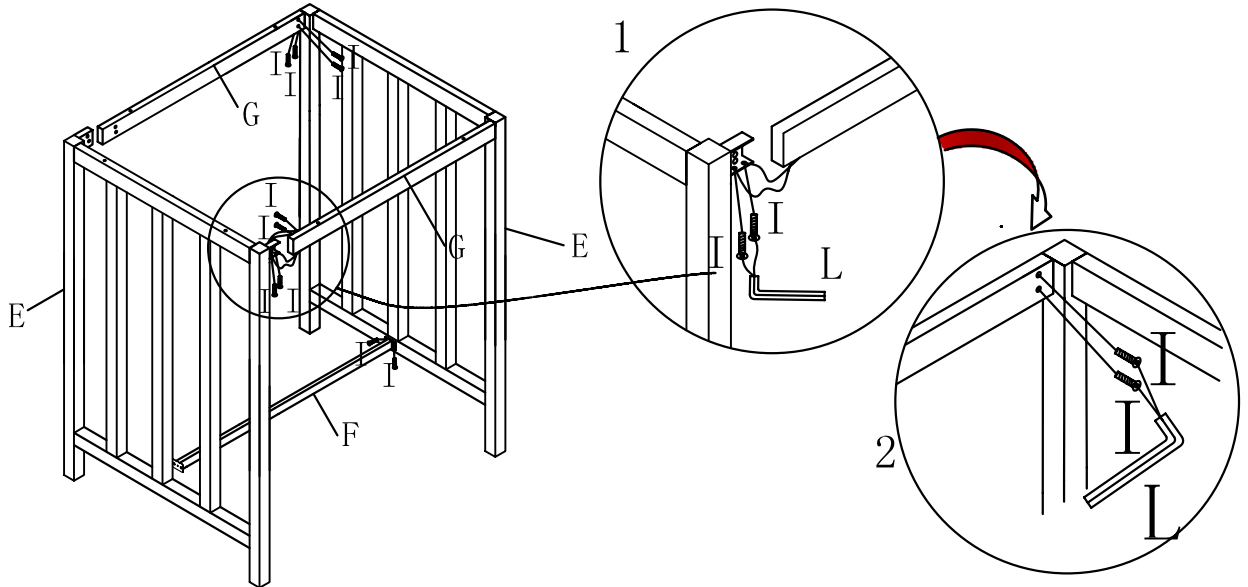
## Cleaning & Care

Treat surface with care. Surface is resistant to scratches but is not scratchresistant. Clean surfaces with a dry or damp soft cloth. Do not use abrasive cleaners. Hardware may loosen over time. Periodically check that all connections are tight.

# COUNTER HEIGHT TABLE

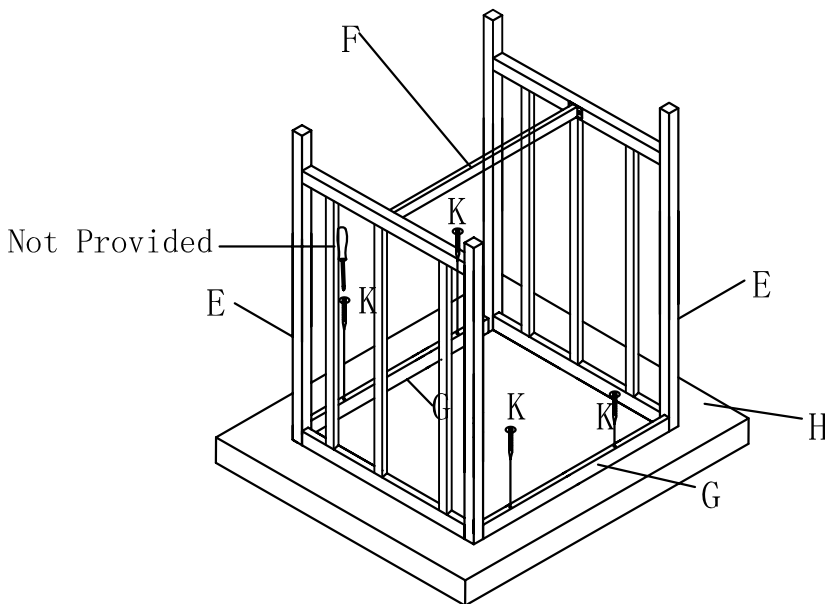
1

Align the Table Leg Frame L&R(E) to Bottom Cross Bar(F) and Table Rail L&R(G) and tighten with Bolts(I). Turn the L-Allen Key(L) to tighten them.



2

Place the Table Top(H) on the smooth and the stable carpeted or padded surface. Tighten attached table frame to table top with Screws(K).



## Cleaning & Care

Treat surface with care. Surface is resistant to scratches but is not scratchresistant. Clean surfaces with a dry or damp soft cloth. Do not use abrasive cleaners. Hardware may loosen over time. Periodically check that all connections are tight.