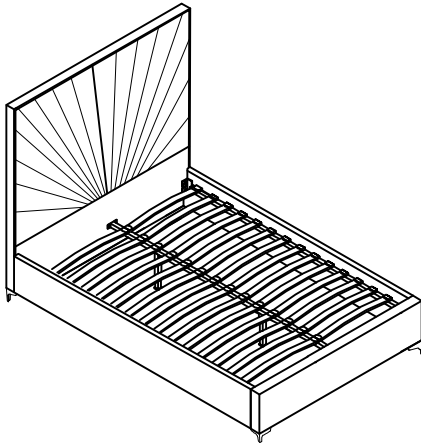


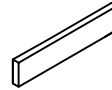
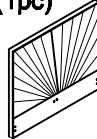
ASSEMBLY INSTRUCTIONS

BED - QUEEN

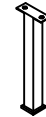


+ Parts Included

- ① Head Board (1pc) ② Foot Board (1pc) ③ Side Rails (2pcs)



- ④ Double Plastic cap (15pcs) ⑤ Center Support Bar (1pc) ⑥ Support Legs (2pcs)



- ⑦ Slats (30pcs) ⑧ Single Plastic cap (30pcs) ⑨ Chrome Legs (4pcs)



*Slats come packed in the bottom of headboard carton.

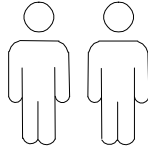
- ⑩ Gold Legs (4pcs)



+ Use Power Tools



+ Suggested Adults



NOTE:

- 1 Read instructions cover to cover.
- 2 Save all packaging until assembly is completed.

1 IMPORTANT SAFETY INFORMATION

Do not assemble the product if any of the following parts arrived damaged:

- Part # ③ -Side Rails
- Part # ⑤ -Center Support Bar
- Part # ⑥ -Support Legs
- Part # ⑦ -Slats

2 IMPORTANT ASSEMBLY INFORMATION

Assembly Step ② Ensure the side rail bracket is fully hooked onto bolt A loosely threaded with both washers on the OUTSIDE of the bracket first, then proceed to fully tightening all 4 corners.

Assembly Step ⑤ When installing slats, ensure that the curve is facing upwards. (→) (↘)
*Slats come packed in the bottom of headboard carton.

+ Hardware Included

- A Bolt M8*30mm (16pcs) B M8 Allen Key (1pc) C Bolt M6*25mm (12pcs) D Spring Washer (8pcs)



- E Flat Washer $\phi 16$ (28pcs) F M8 Allen Key (1pc) G Flat Washer $\phi 16$ (4pcs) H Wood screws M4*30mm (4pcs)



- I Nut M8*13mm (4pcs) J Spanner (1pc)



ASSEMBLY INSTRUCTIONS

BED - QUEEN

