

## CARE AND MAINTENANCE

Spot clean using a mild water-free solvent. Only a professional cleaner should undertake a complete overall cleaning.

The use of steam or water-based cleaners may cause excessive shrinking or staining.

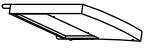






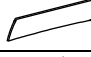
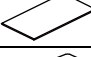


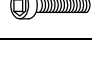

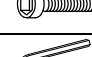
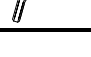
## NOTICE

\* Please make sure that you have all parts indicated before you begin assembly of this item

\* This item should be assembled on a soft surface to prevent scratching the finish during assembly

\* This item may require periodic tightening

## Part List and Hardware List

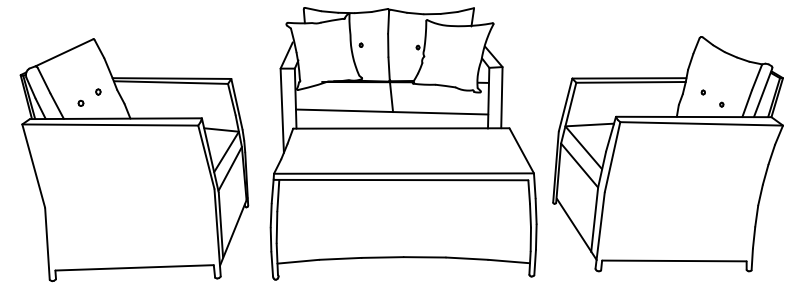
PIECE	DESCRIPTION	PICTURE	QUANTITY
1	Chair/Sofa side-1		3X
2	Chair/Sofa Side-2		3X
5	Sofa Back		1X
6	Sofa Bottom		1X
7	Chair Back		2X
8	Chair Bottom		2X
9	Table Side		2X
10	Table Apron		2X
11	Table Top		1X
12	Chair Cushion		4X
13	Sofa Cushion		4X
A	Allen bolt(M6x30mm)		38X
B	Flat washer		46X
C	Allen bolt(M6x35 mm)		8X
D	Allen key		1X

### Product Dimensions:

54.7"x32.3"x33.9" H (Sofa)

29"x32.3"x33.9" H (Chair)

45.7"x24"x16.5" H (Table)



Weight Capacity:275lbs(single seat)

550lbs(twoperson seat)

WARNING:DO NOT STAND ON CHAIR

# PREPARATION

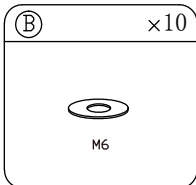
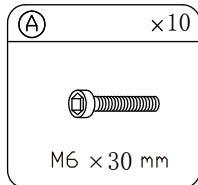
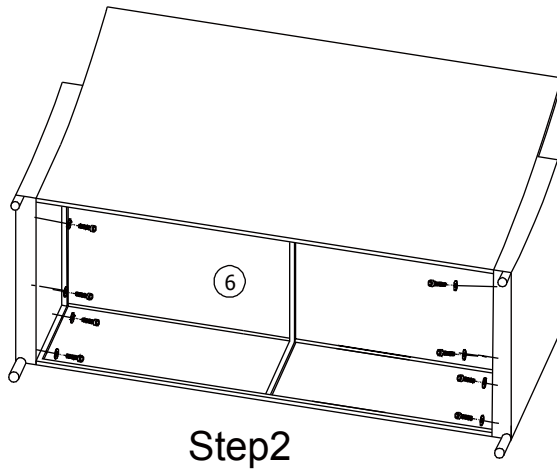
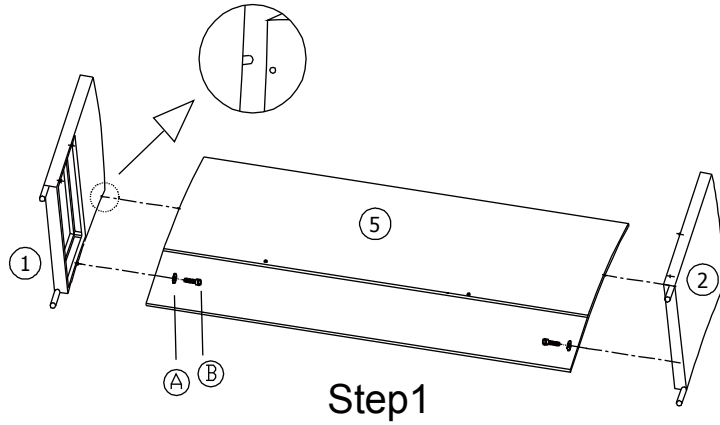
Before beginning assembly of product, make sure all parts are present. Compare parts with package contents list and hardware contents list.

If any part is missing or damaged, do not attempt to assemble the product.

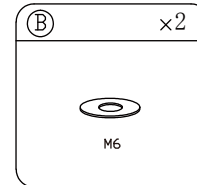
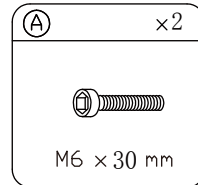
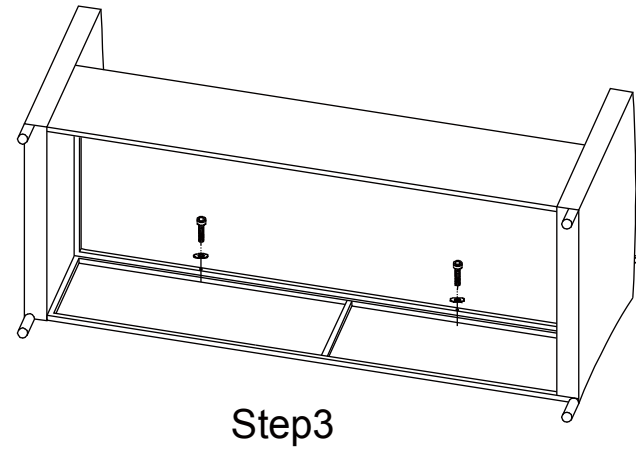
Estimated Assembly Time: 45 minutes.

Tools Required for Assembly (included): Allen Key

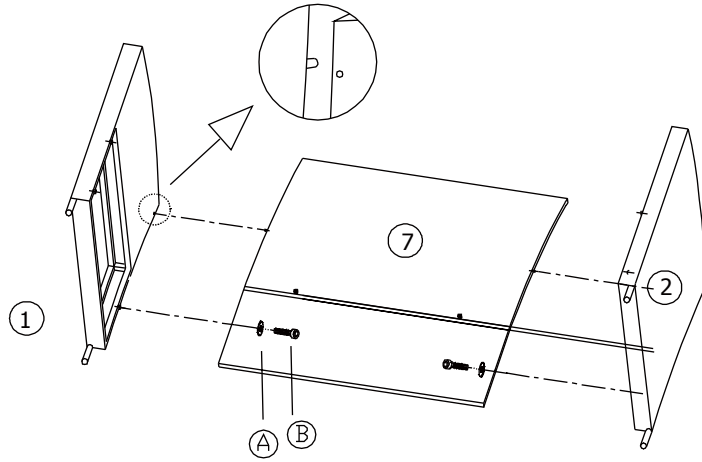
1



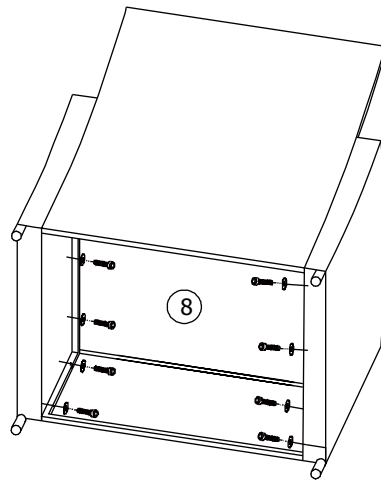
2



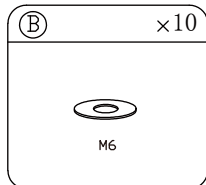
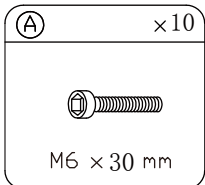
3 x 2



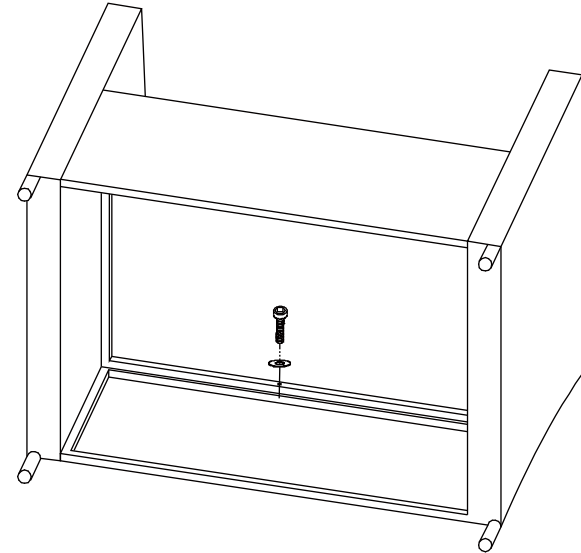
Step1



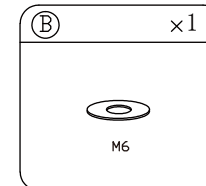
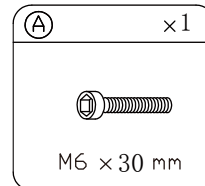
Step2



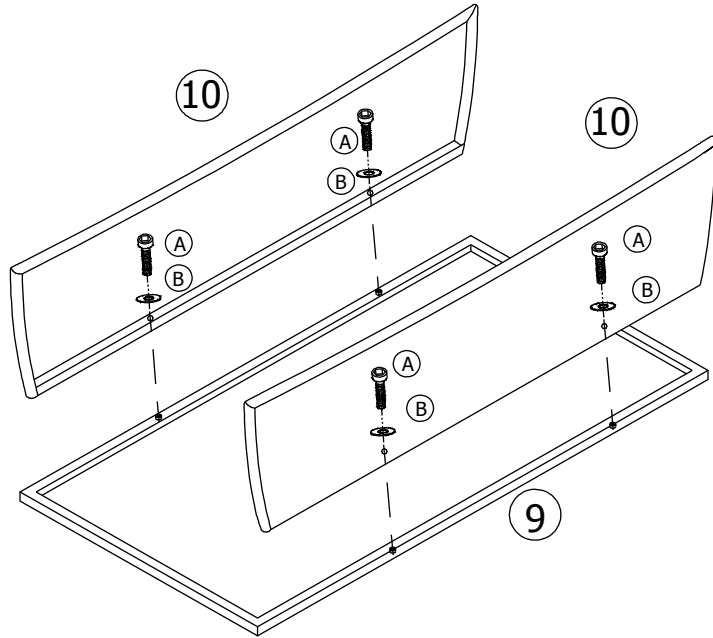
4 x 2



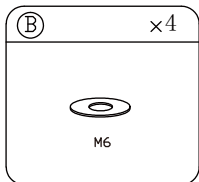
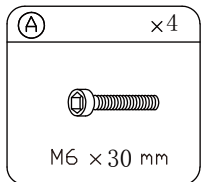
Step3



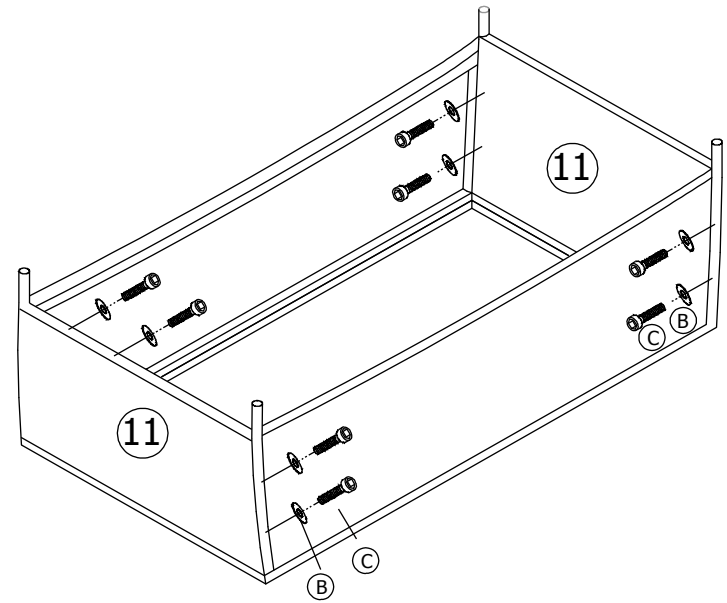
5



Step1



6



Step2

