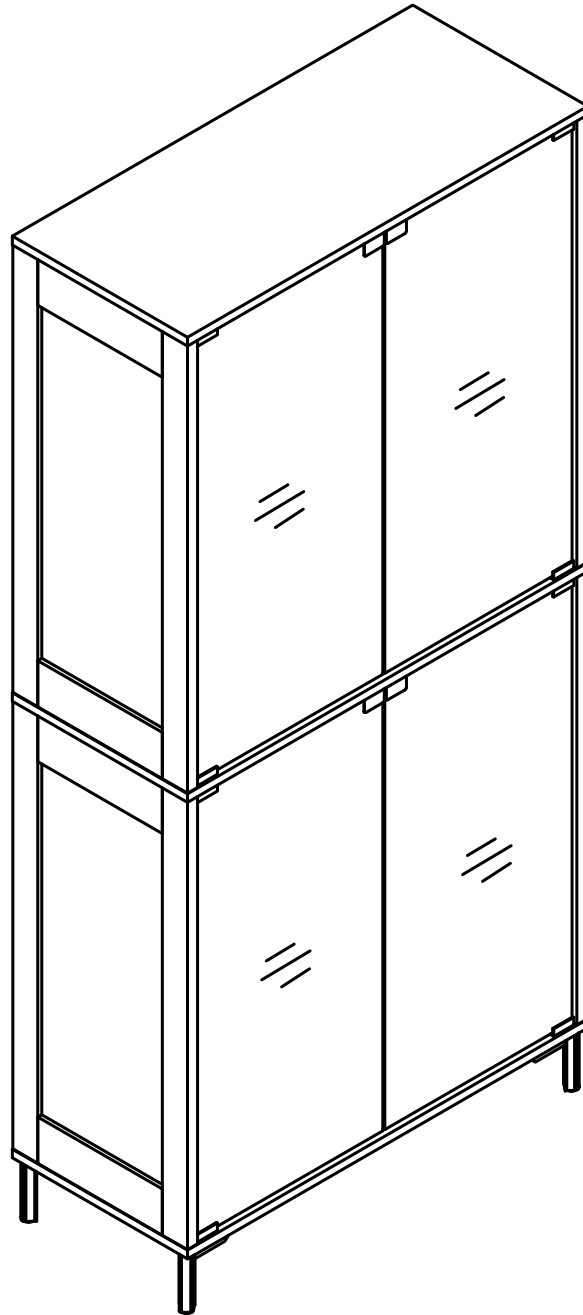


Assembly Instructions

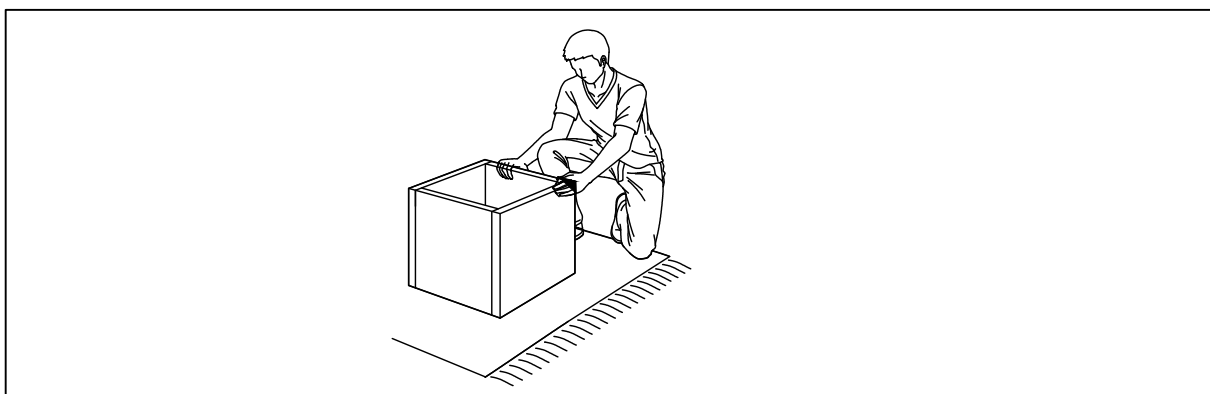
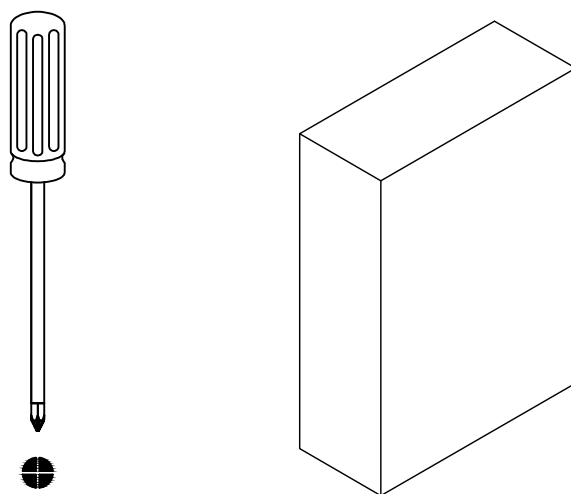
Glass Display Cabinet

Model:DC01

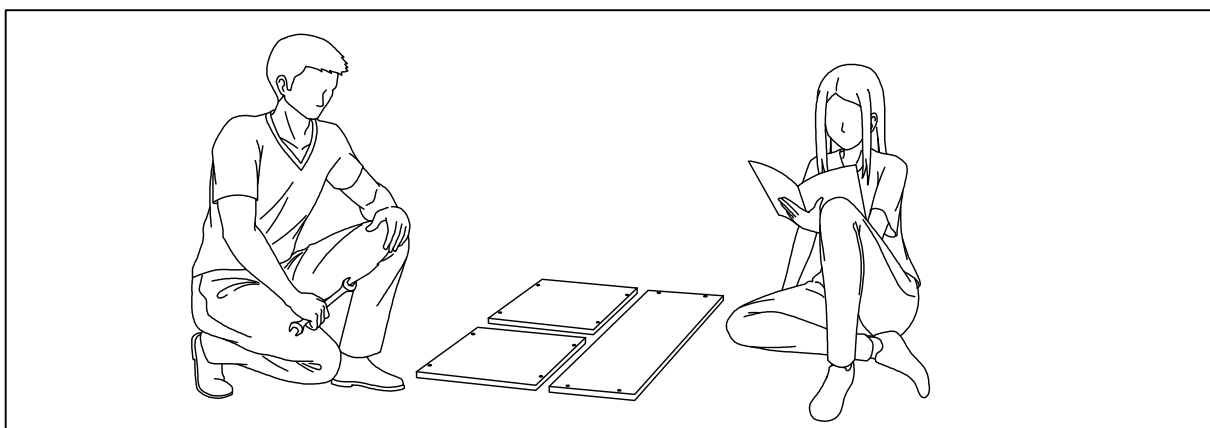


MADE IN P.R.C.

Thank you for your purchase.All components are included in a single package.
Please follow the instructions step by step for a quicker and smoother installation
process.If you encounter any issues,please do not return the product—contact our
customer service team at zephomezh@gmail.com,and we will be pleased to assist you.

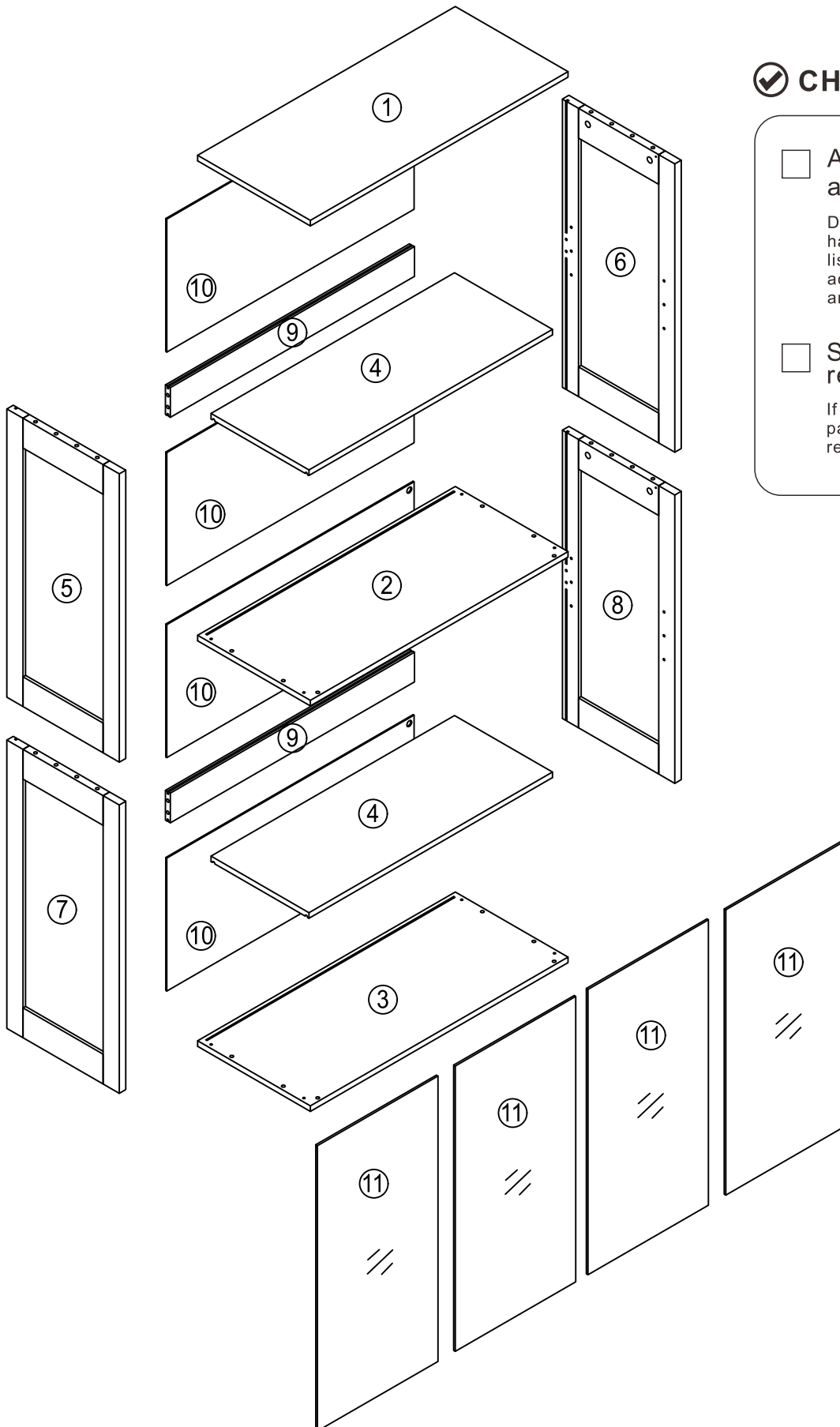


Assemble the furniture on empty carton, carpet, or rug to prevent scratches or damage.



This furniture requires 2 people to assembly.
Make sure no parts are missing or damaged before assembly.

Not actual size



CHECK ALL PARTS

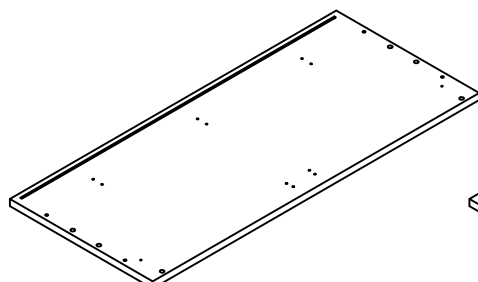
Are you missing anything?

Double-check that all parts, hardware, and accessories listed on Pages 3-5 are accounted for. We can send any missing parts.

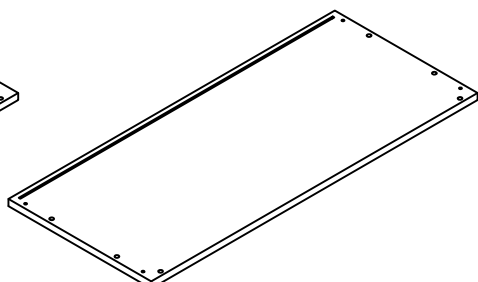
Should we send any replacements?

If there are any flaws in the parts, we can send replacements!

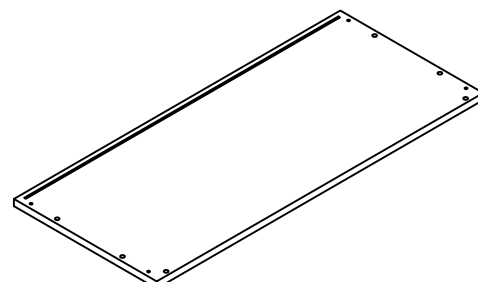
Not actual size



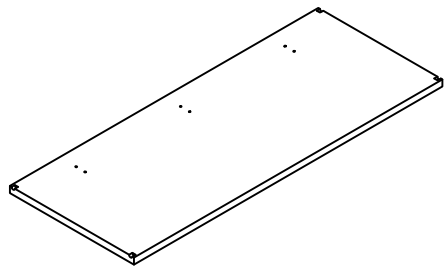
① X1



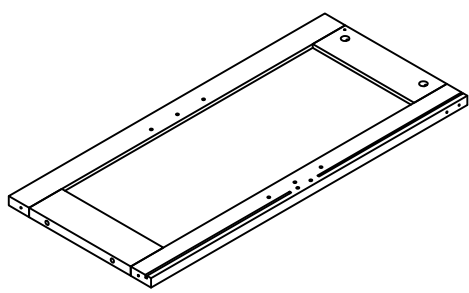
② X1



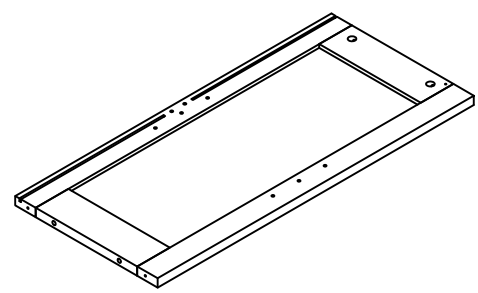
③ X1



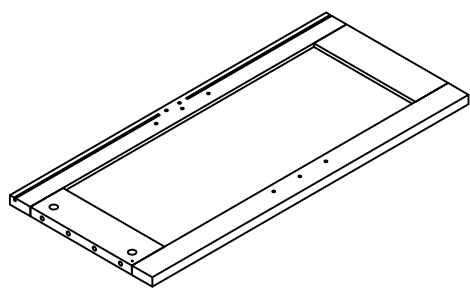
④ X2



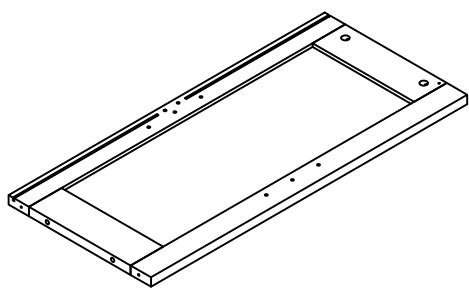
⑤ X1



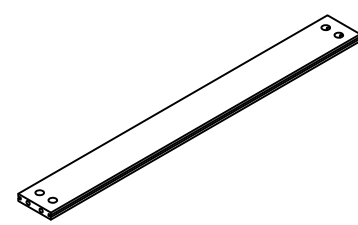
⑥ X1



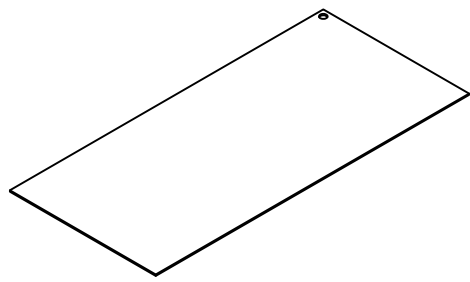
⑦ X1



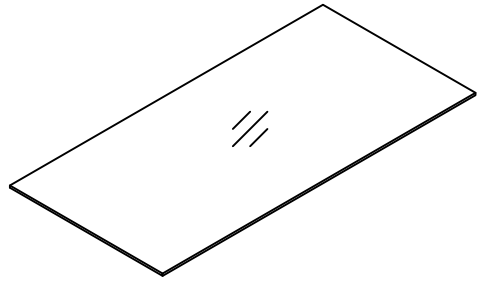
⑧ X1



⑨ X2

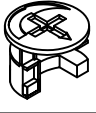


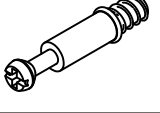
⑩ X4




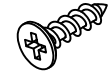
⑪ X4

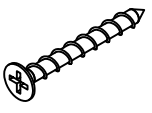
Not actual size

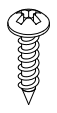
(A)	X16+1
	
ø15*9.5	

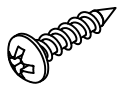
(B)	X16+1
	
ø6.5*35	


(C)	X16+1
	
ø8*30	

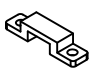
(D)	X32+4
	
ø3*12	


(E)	X8+1
	
ø4*50	


(F)	X20+2
	
ø3*14	


(G)	X20+2
	
ø4*14	


(H)	X8+1
	
ø5*16	


(I)	X12+1
	
28*5.8*5	

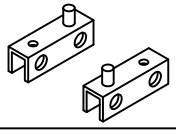
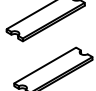
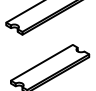




(J)	X4
	
20*20*16	

(K)	X2
	
66*56*19	

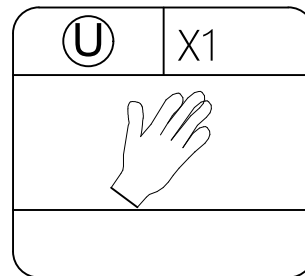
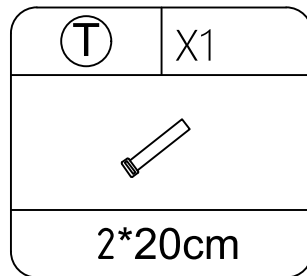
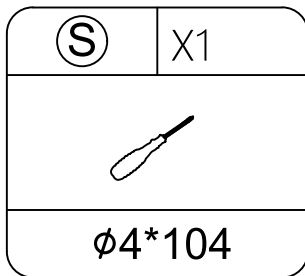
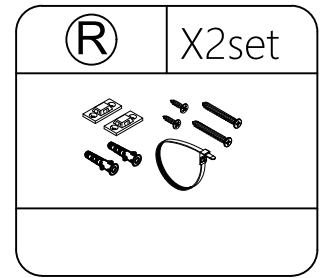
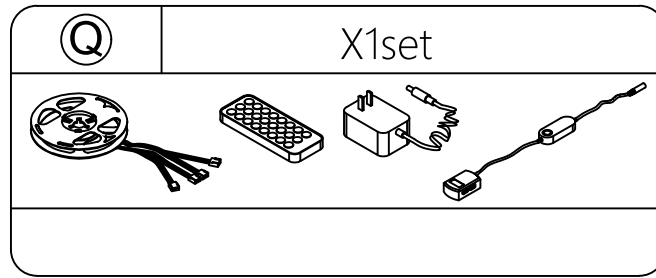
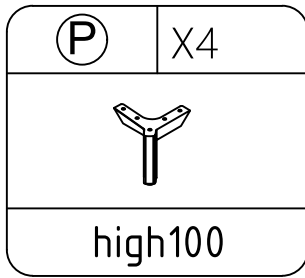
(L)	X4
	
40*24*10	

(M)	X8+2
	
ø21	

(N)	X12+2
	

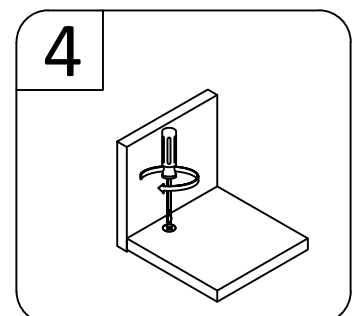
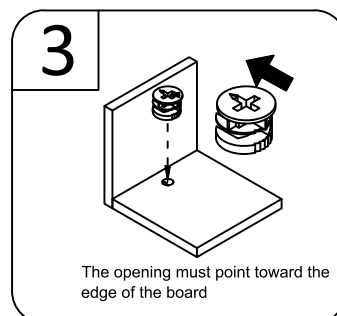
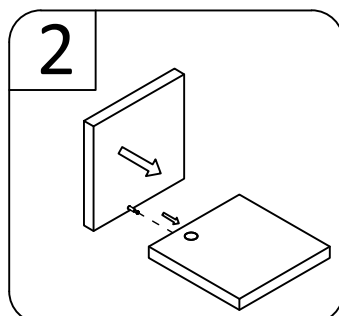
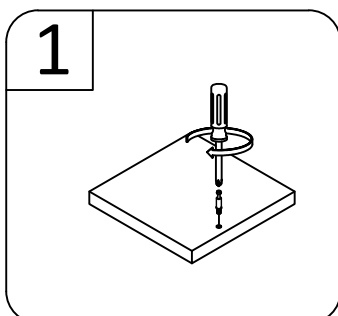
(O)	X4set
      	

Not actual size

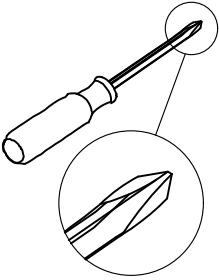



Cam Lock Fastening System


Insert the cam bolt into the hole first, then insert the cam lock and lock it.

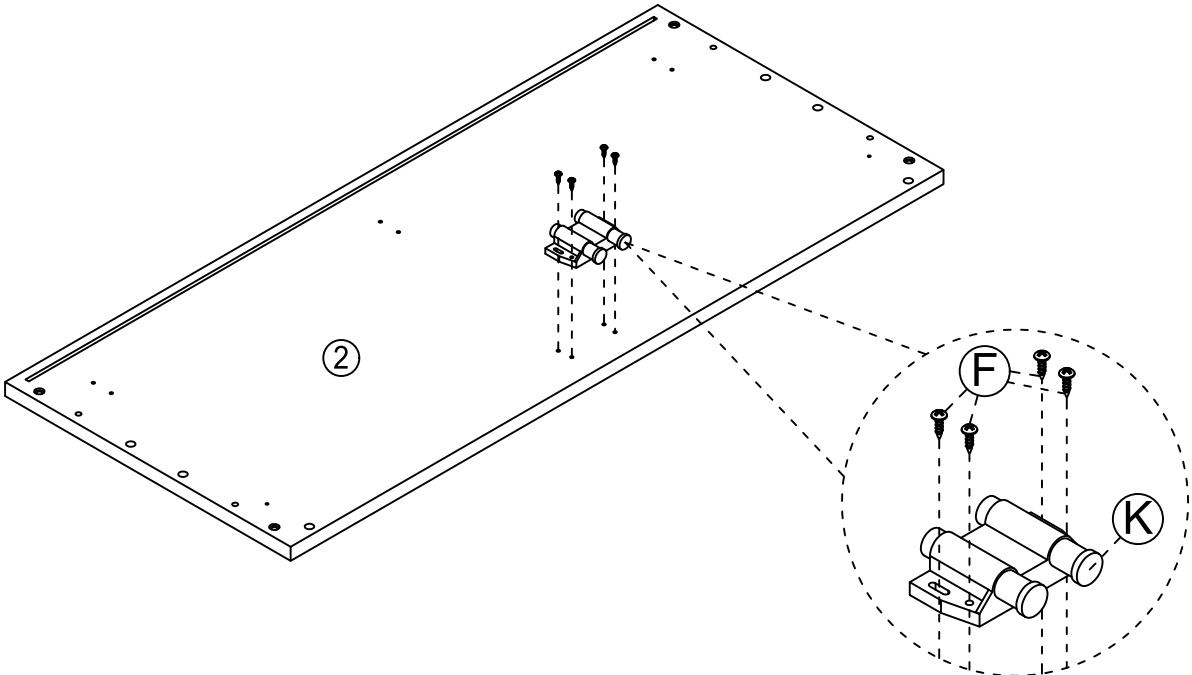
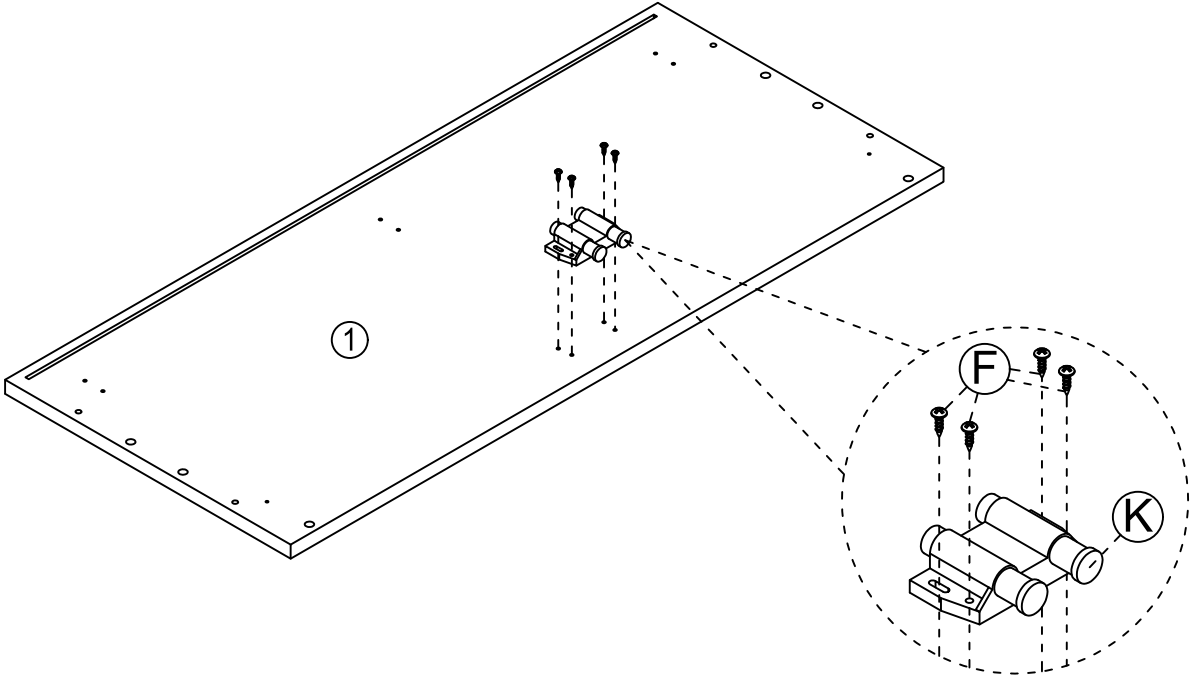


STEP 1

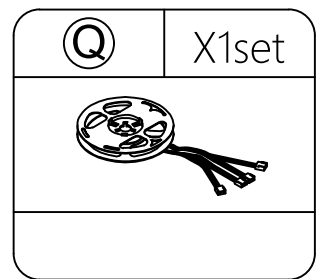
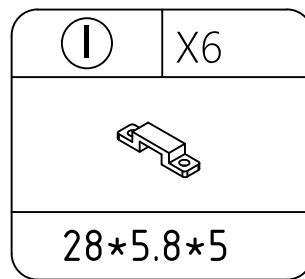
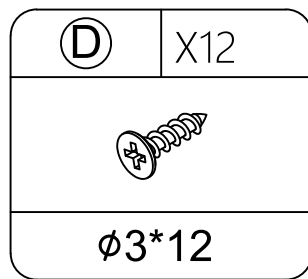
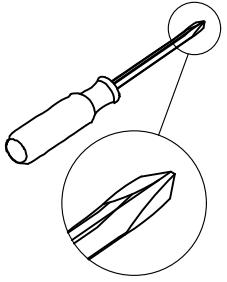


(F)	X8
	
ø3*14	

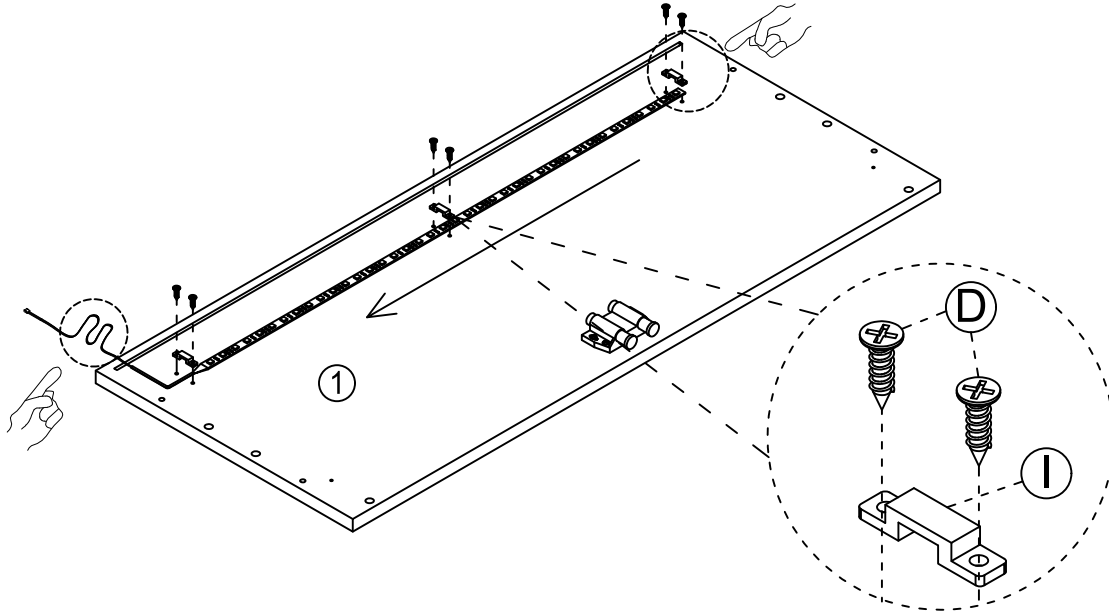
(K)	X2
	
66*56*19	



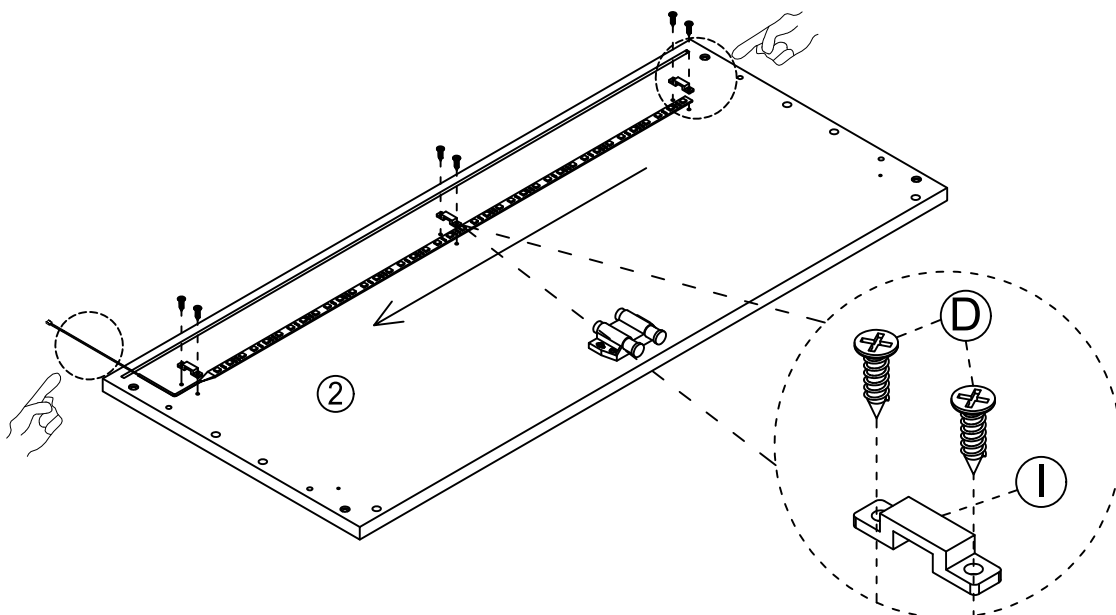
STEP 2



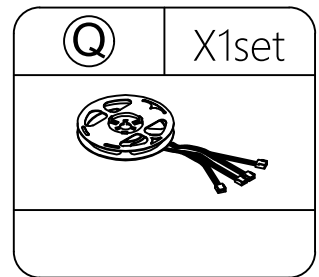
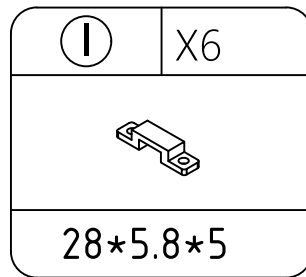
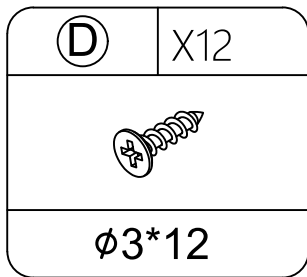
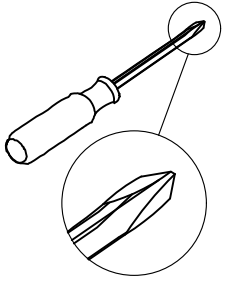
When installing the strip light Q : First tear off the adhesive protection paper, Then paste it on the inside of plate 1, noting strip light of length (A long strip light is used here) and the left distance (must more than 22mm), Finally use screw D and wire buckle I fix it, as shown in the figure.



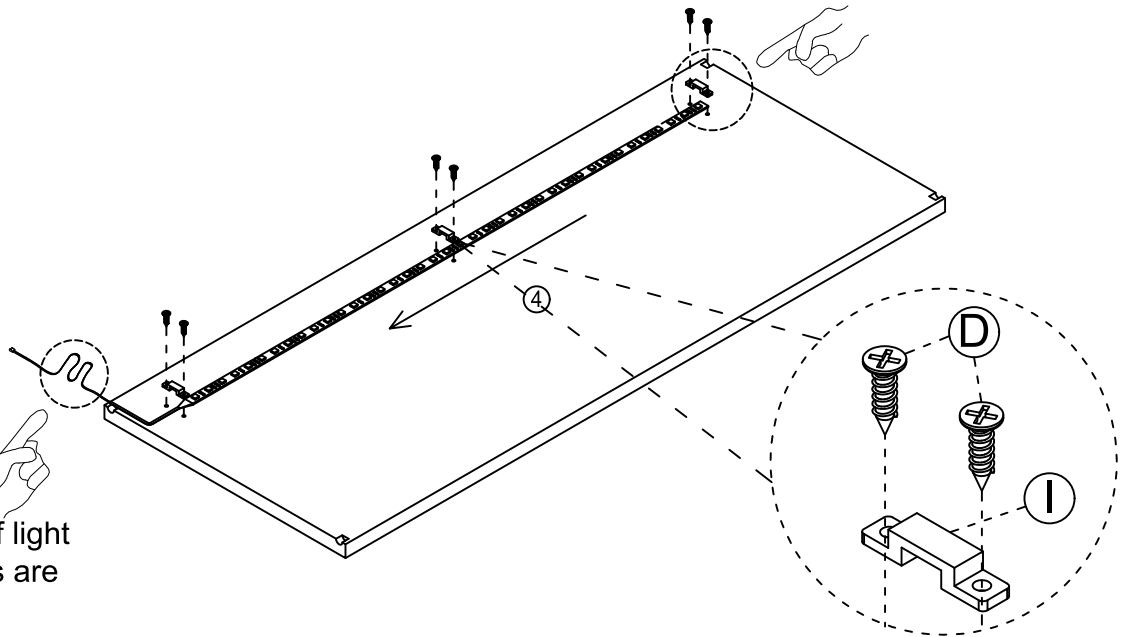
When installing the strip light Q : First tear off the adhesive protection paper, Then paste it on the inside of plate 2, noting strip light of length (A short strip light is used here) and the left distance (must more than 22mm), Finally use screw D and wire buckle I fix it, as shown in the figure.



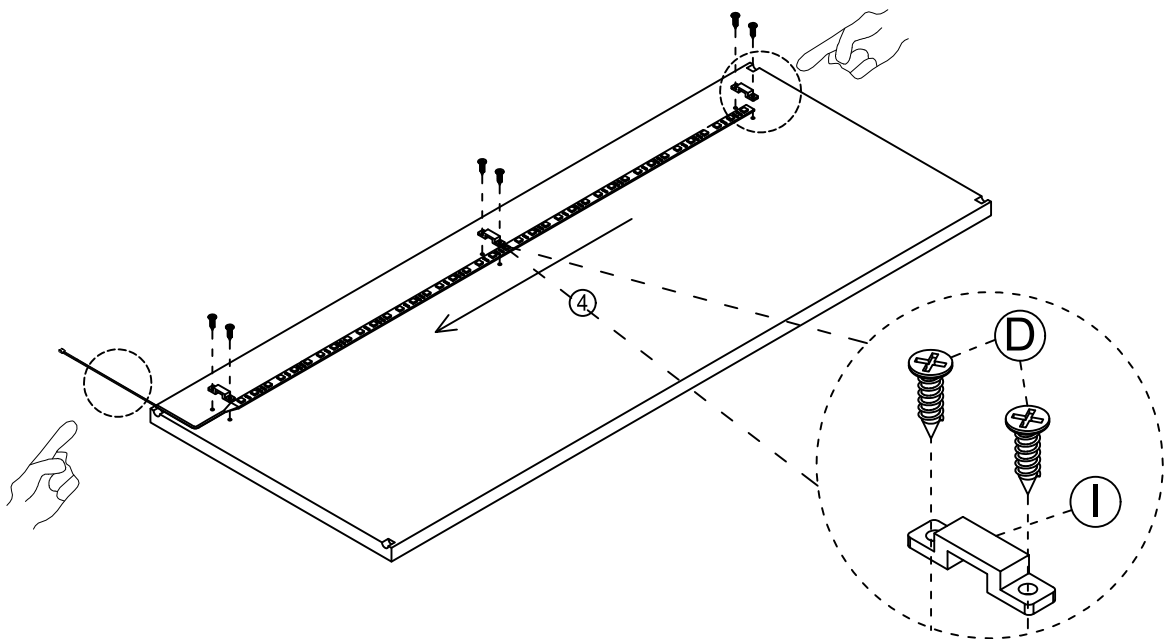
STEP 3



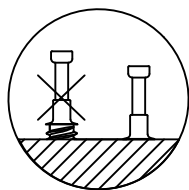
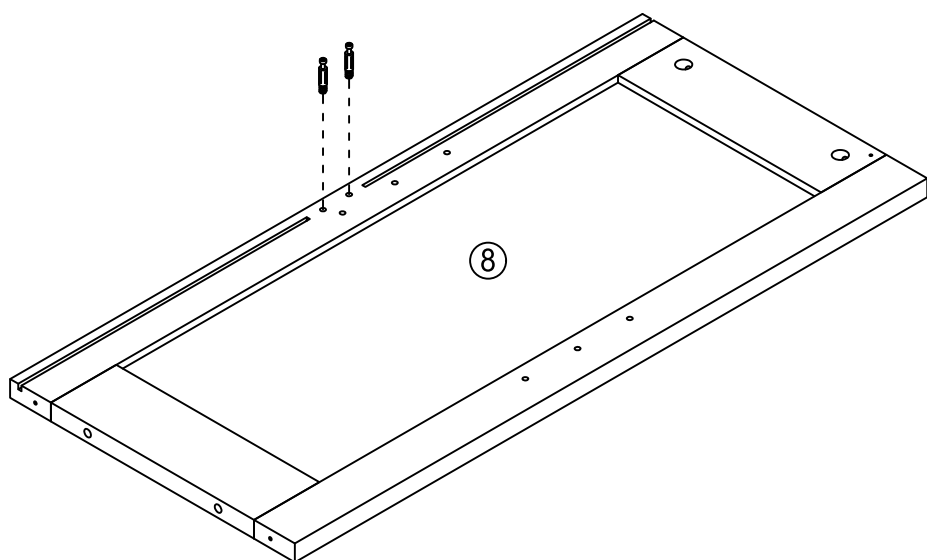
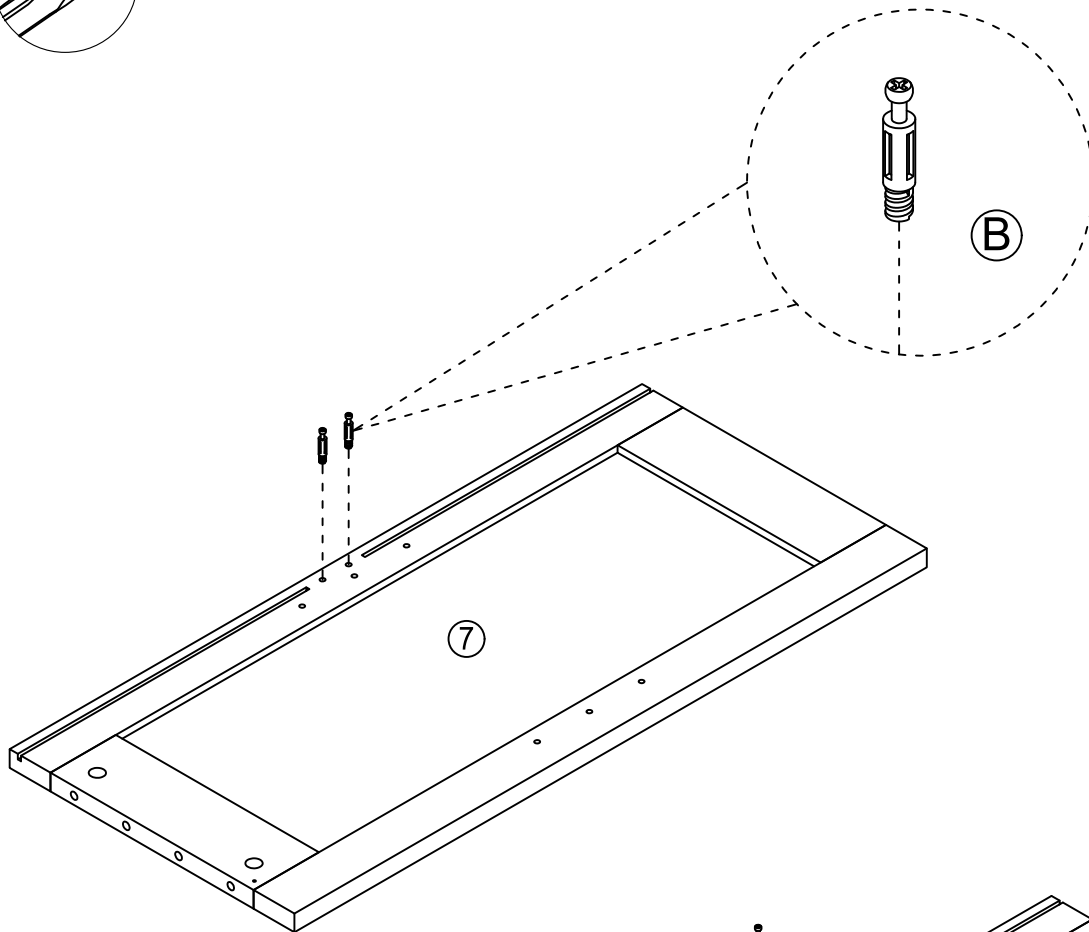
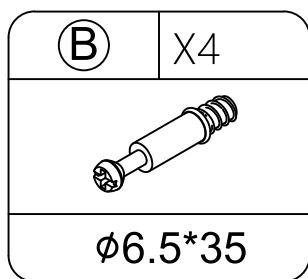
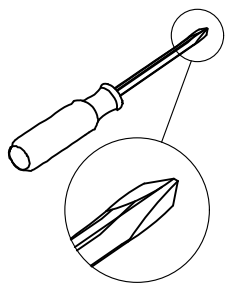
When installing the strip light Q : First tear off the adhesive protection paper, Then paste it on the inside of plate 4, noting strip light of length (One is a short strip light, and the other is a long strip light) and the left distance (must more than 22mm) , Finally use screw D and wire buckle I fix it, as shown in the figure.



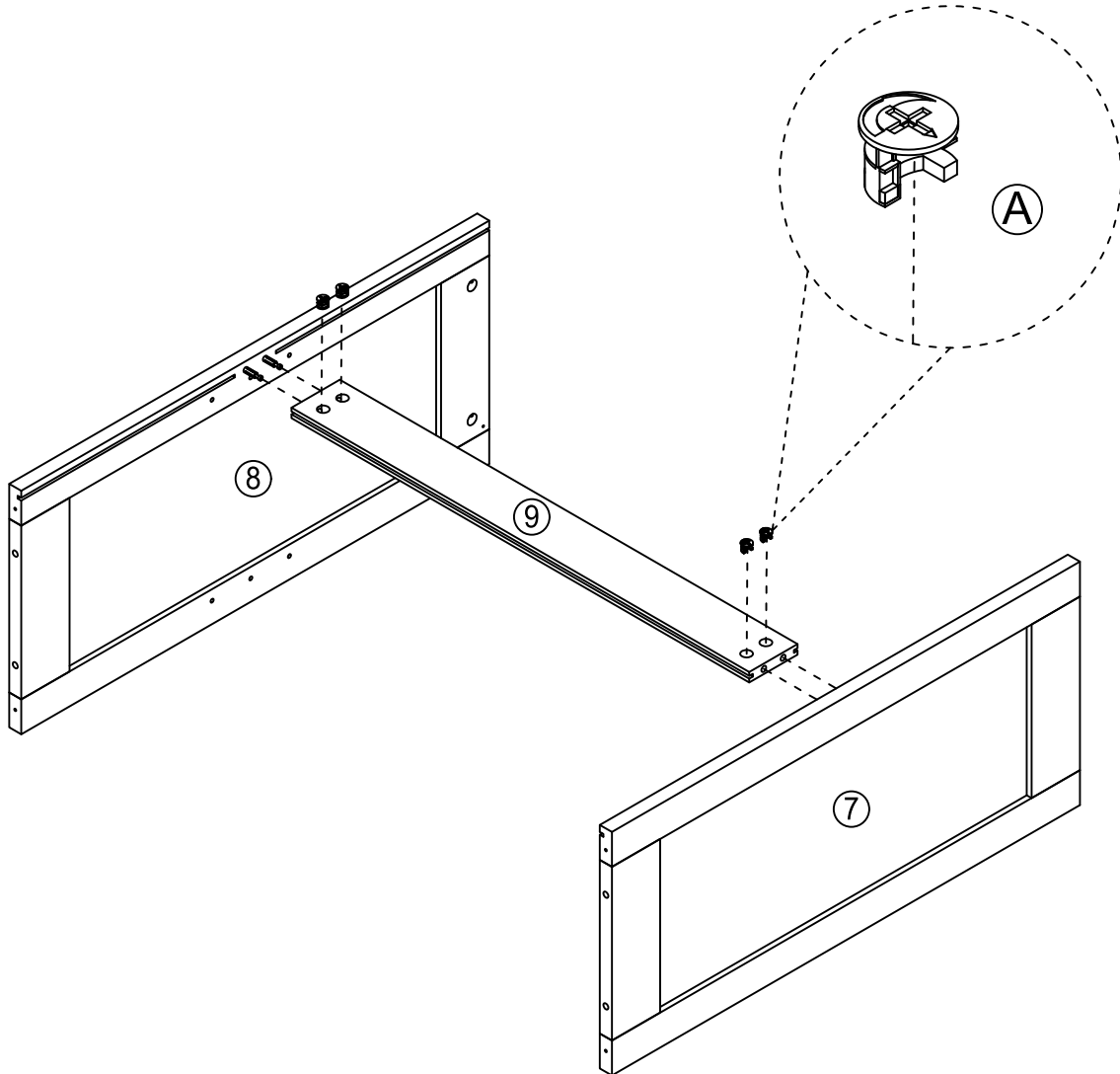
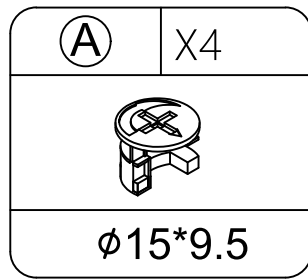
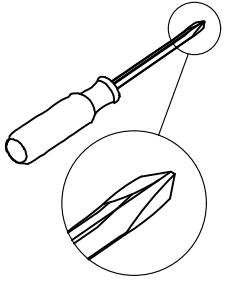
When installing the strip light Q : First tear off the adhesive protection paper, Then paste it on the inside of plate 4, noting strip light of length (One is a short strip light, and the other is a long strip light) and the left distance (must more than 22mm) and wire buckle I fix it, as shown in the figure.



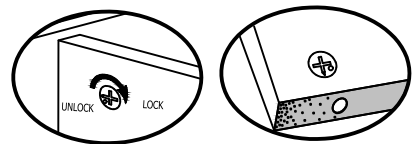
STEP 4



STEP 5



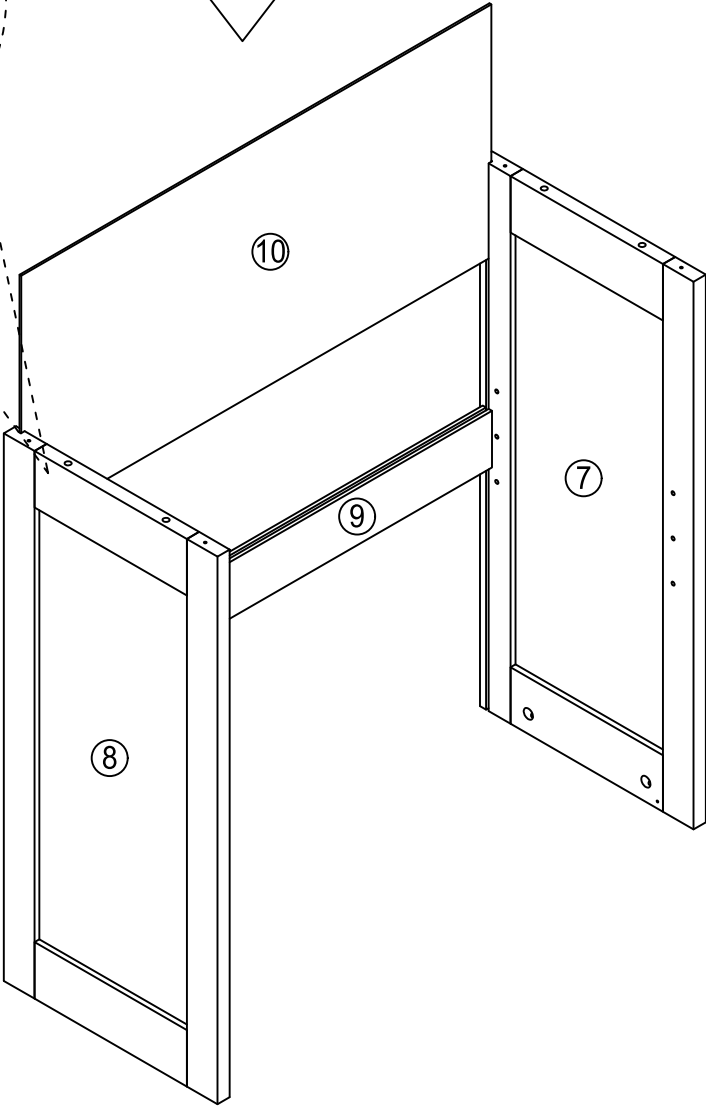
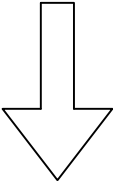
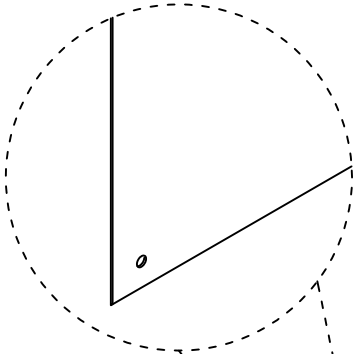
Insert the cam bolt into the hole first, then insert the cam lock and lock it.



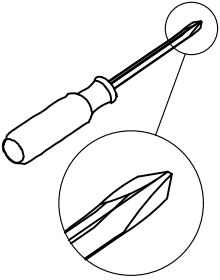
STEP 6




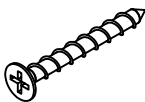
There are round holes here

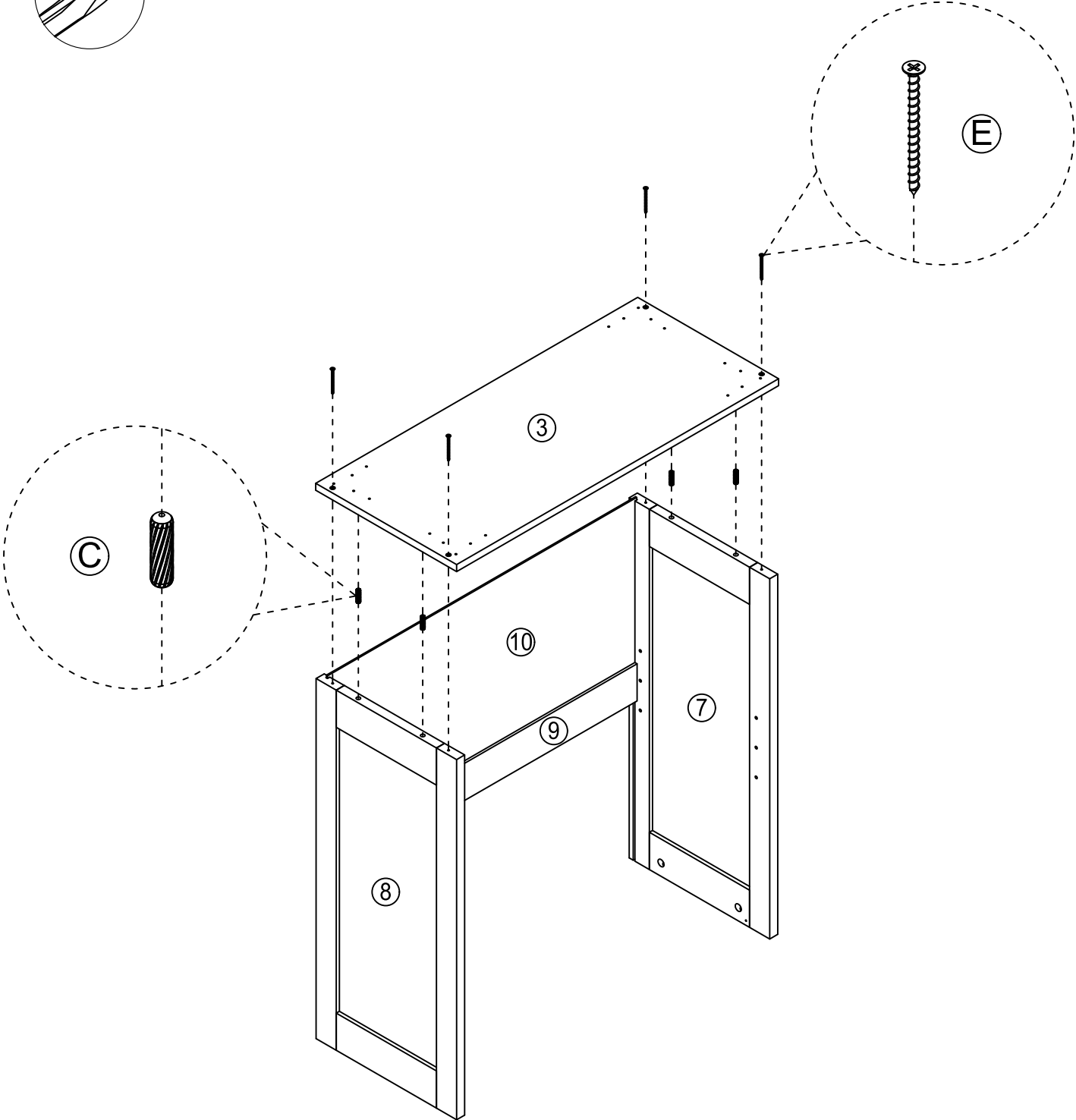


STEP 7

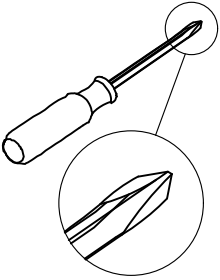


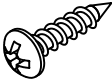
Ⓒ	X4
	
ø8*30	


Ⓔ	X4
	
ø4*50	

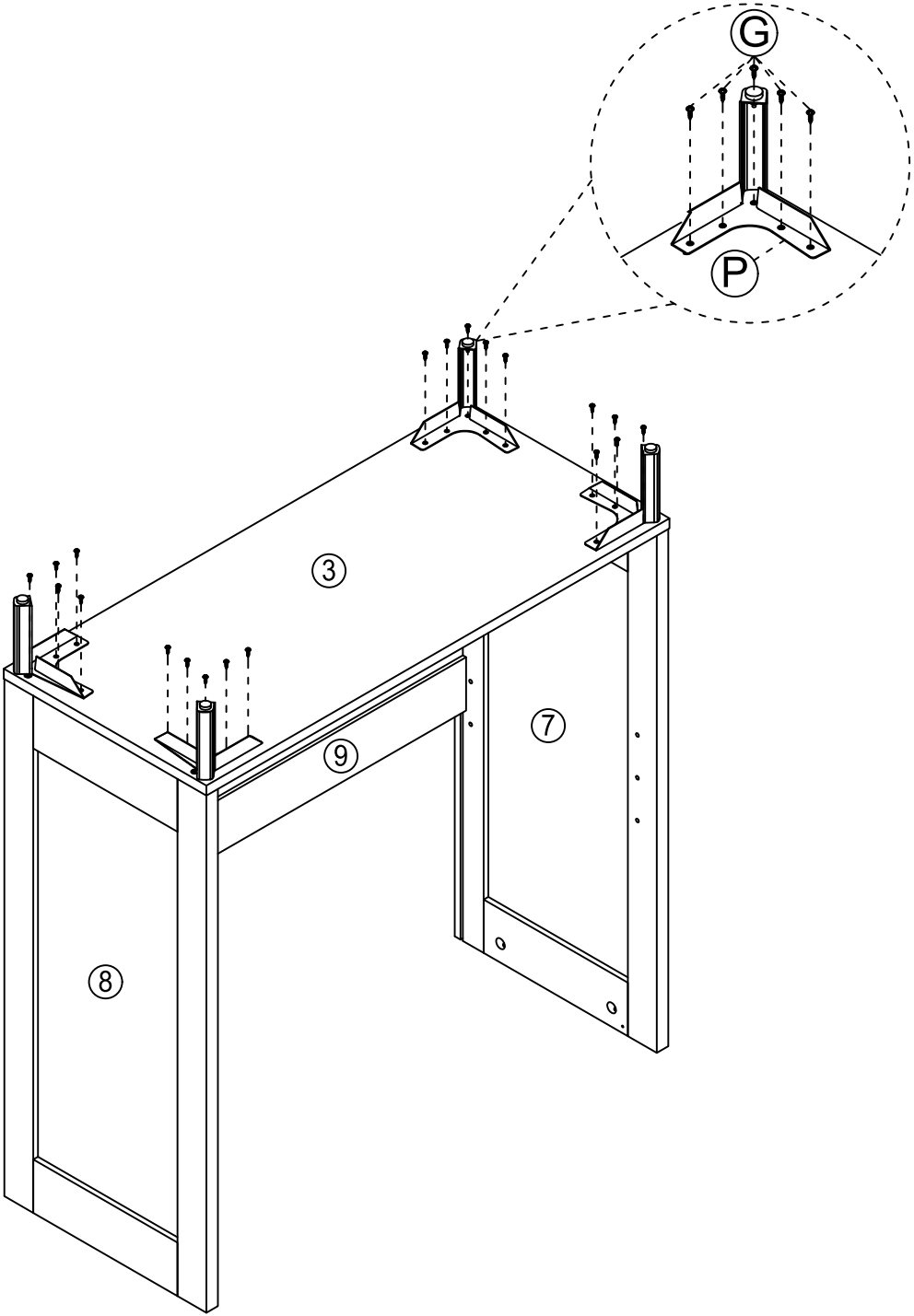


STEP 8



G	X20
	
Ø4*14	

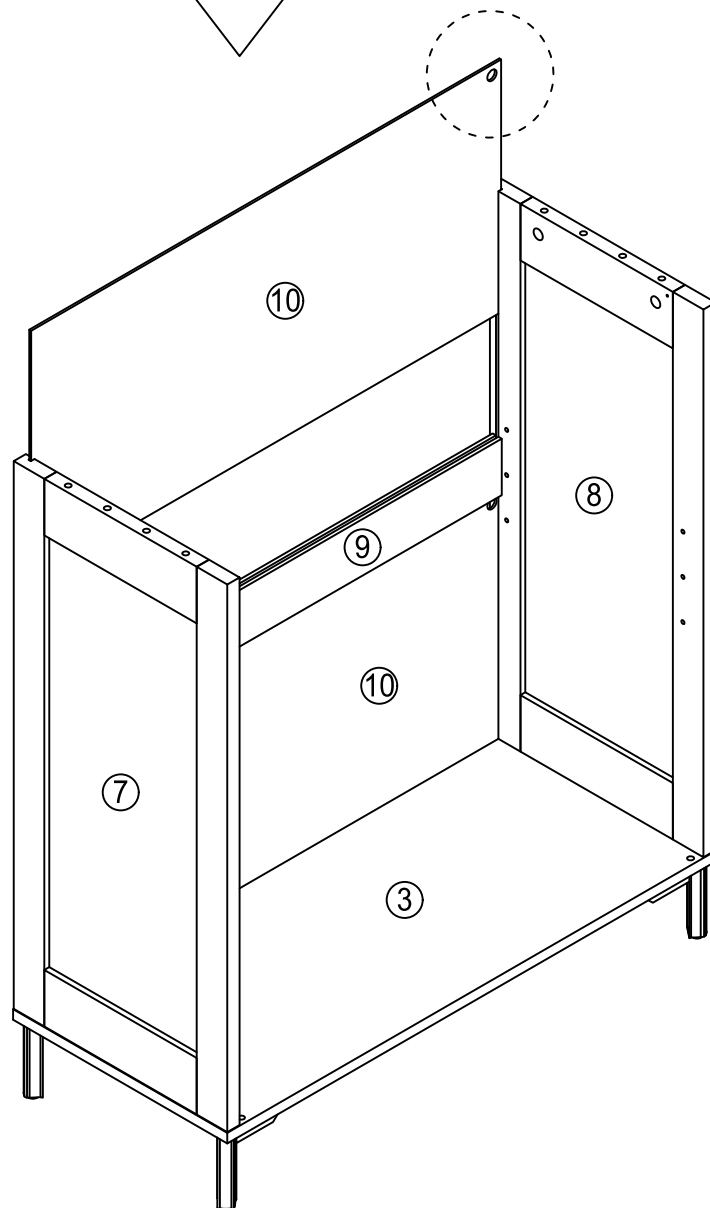
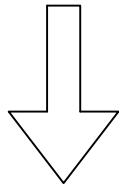
P	X4
	
high100	



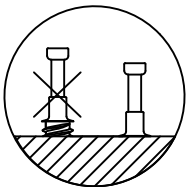
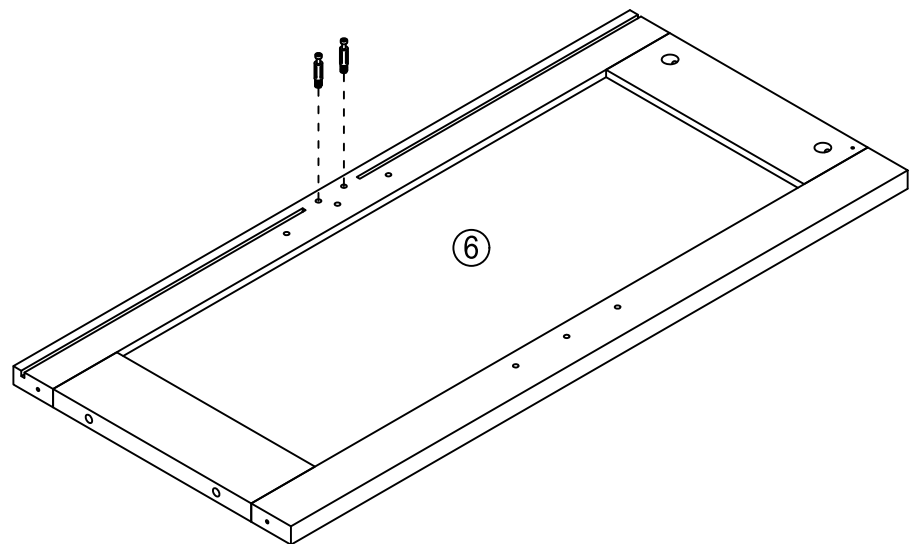
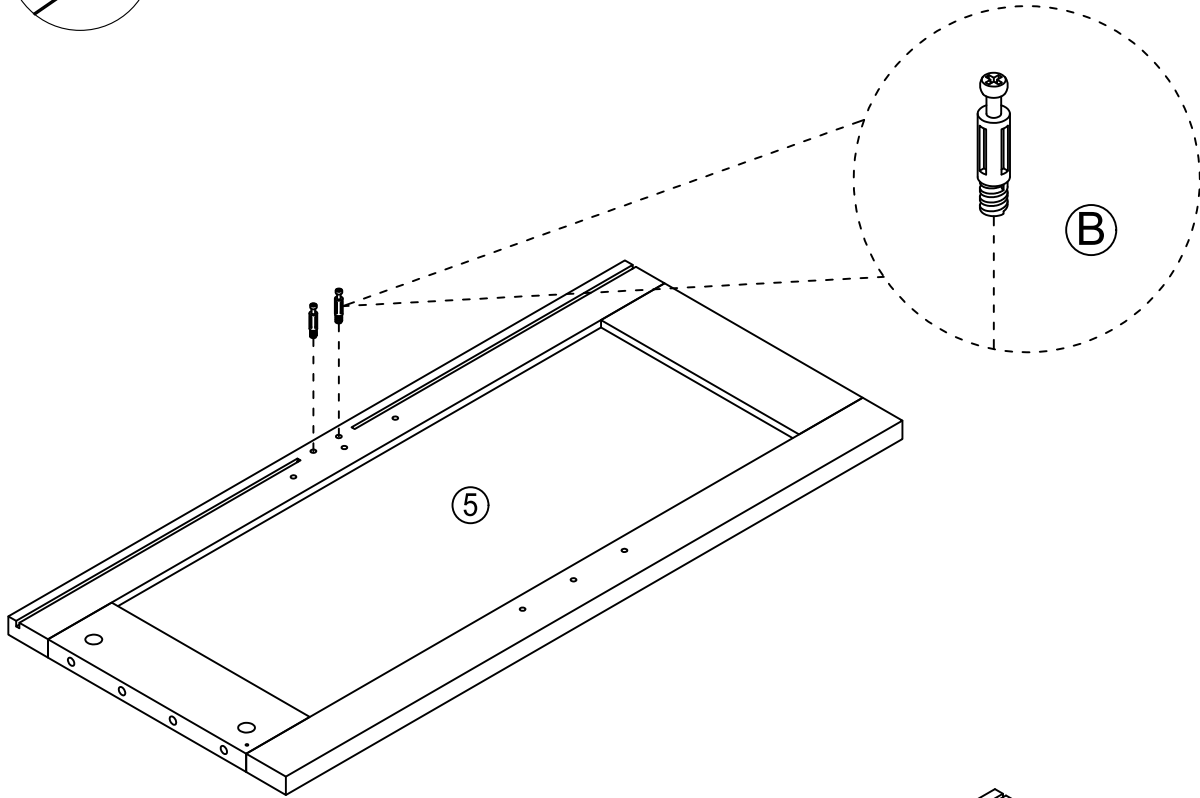
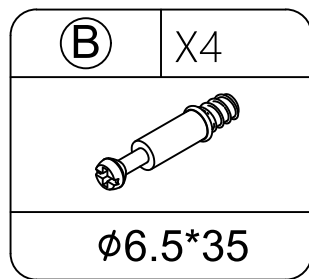
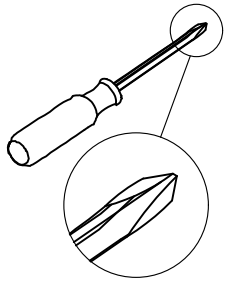
STEP 9



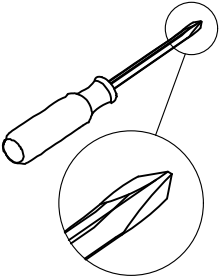
Pay attention to
hole position .

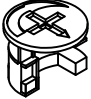


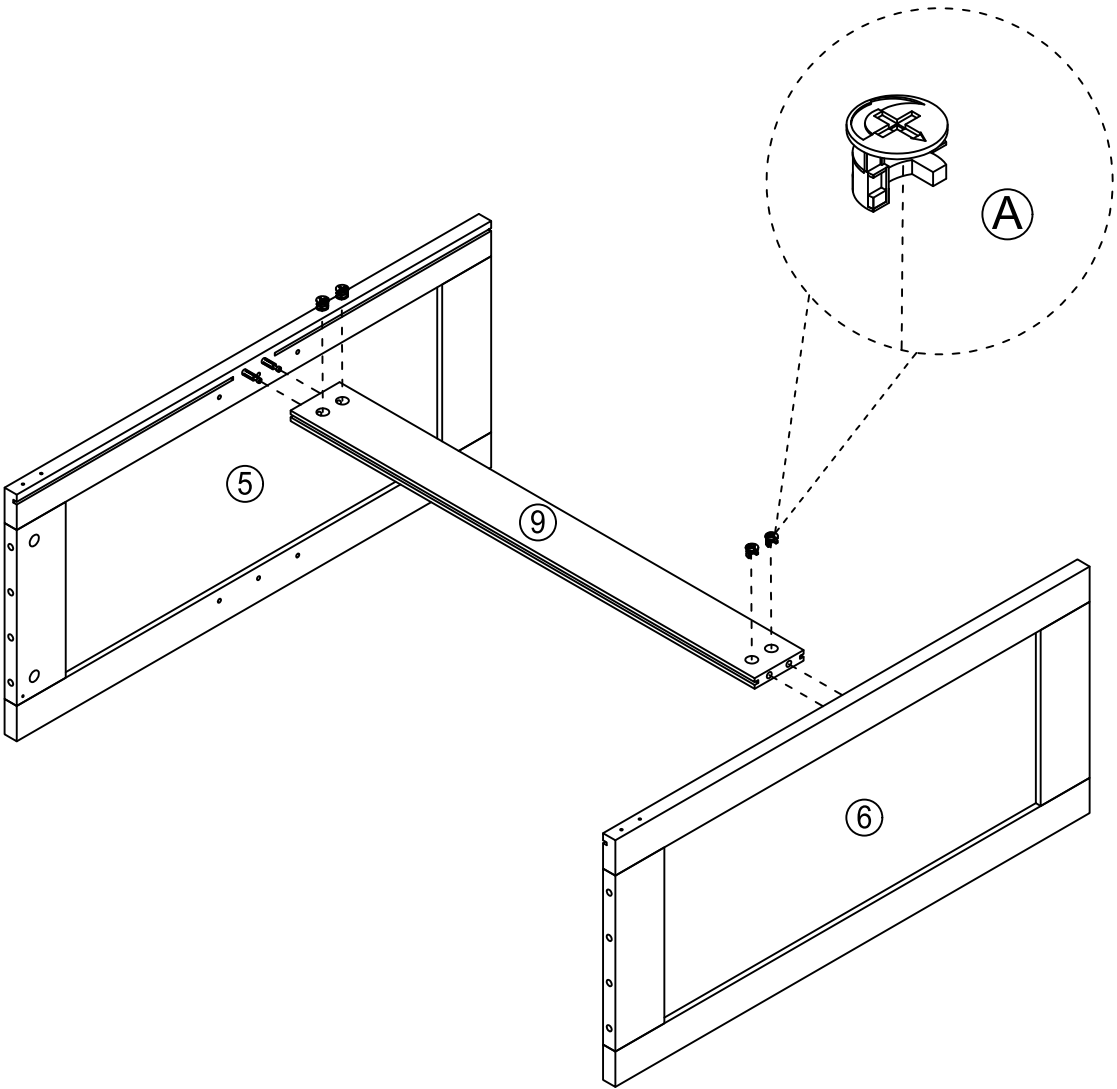
STEP 10



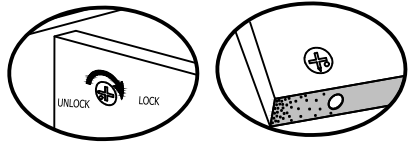
STEP 11



(A)	X4
	
ø15*9.5	

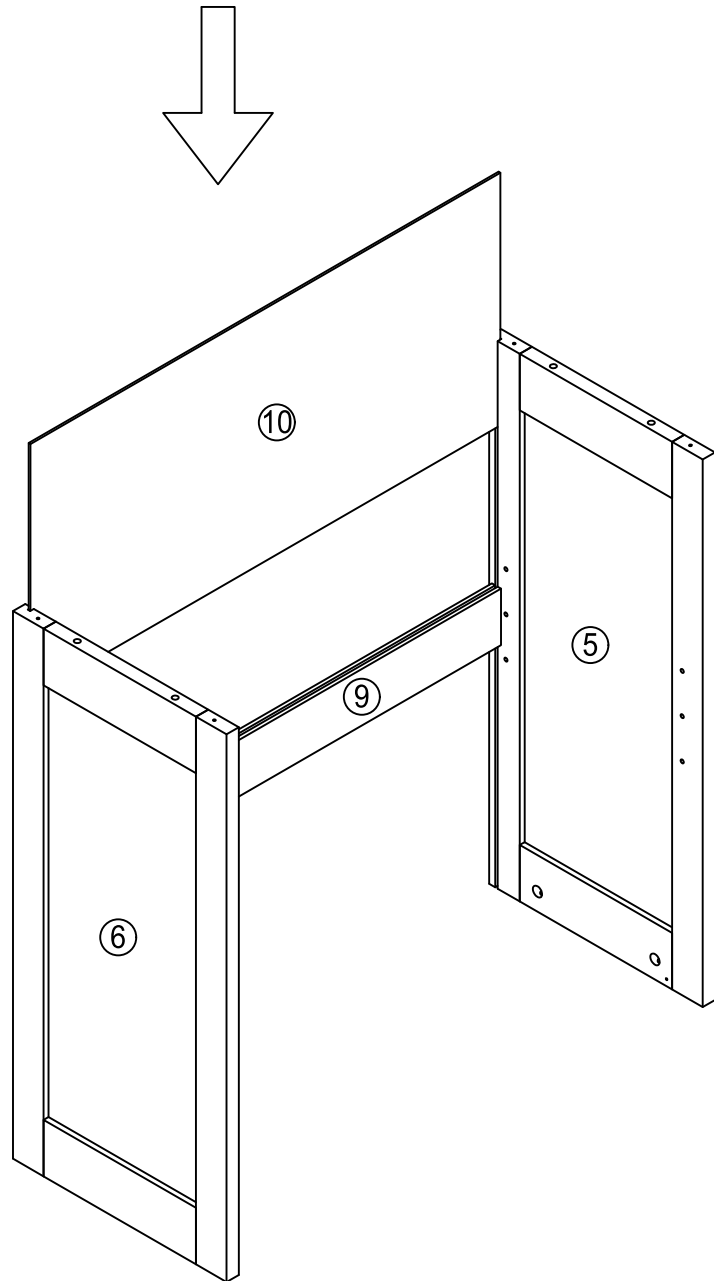


Insert the cam bolt into the hole first, then insert the cam lock and lock it.

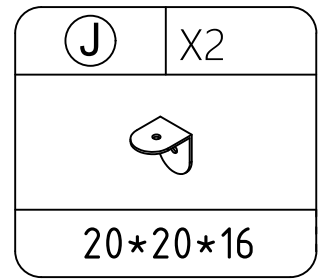
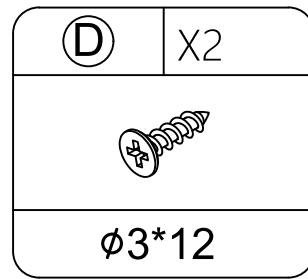
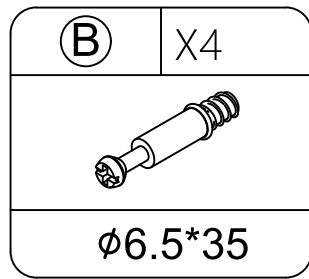
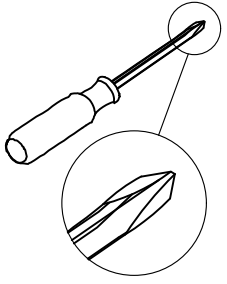


Proper orientation of CAM LOCK

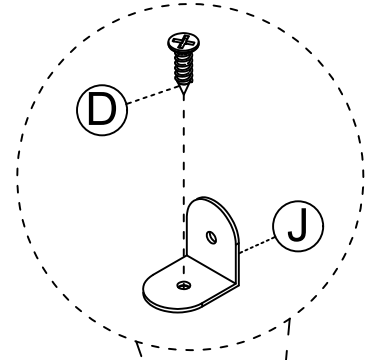
STEP 12



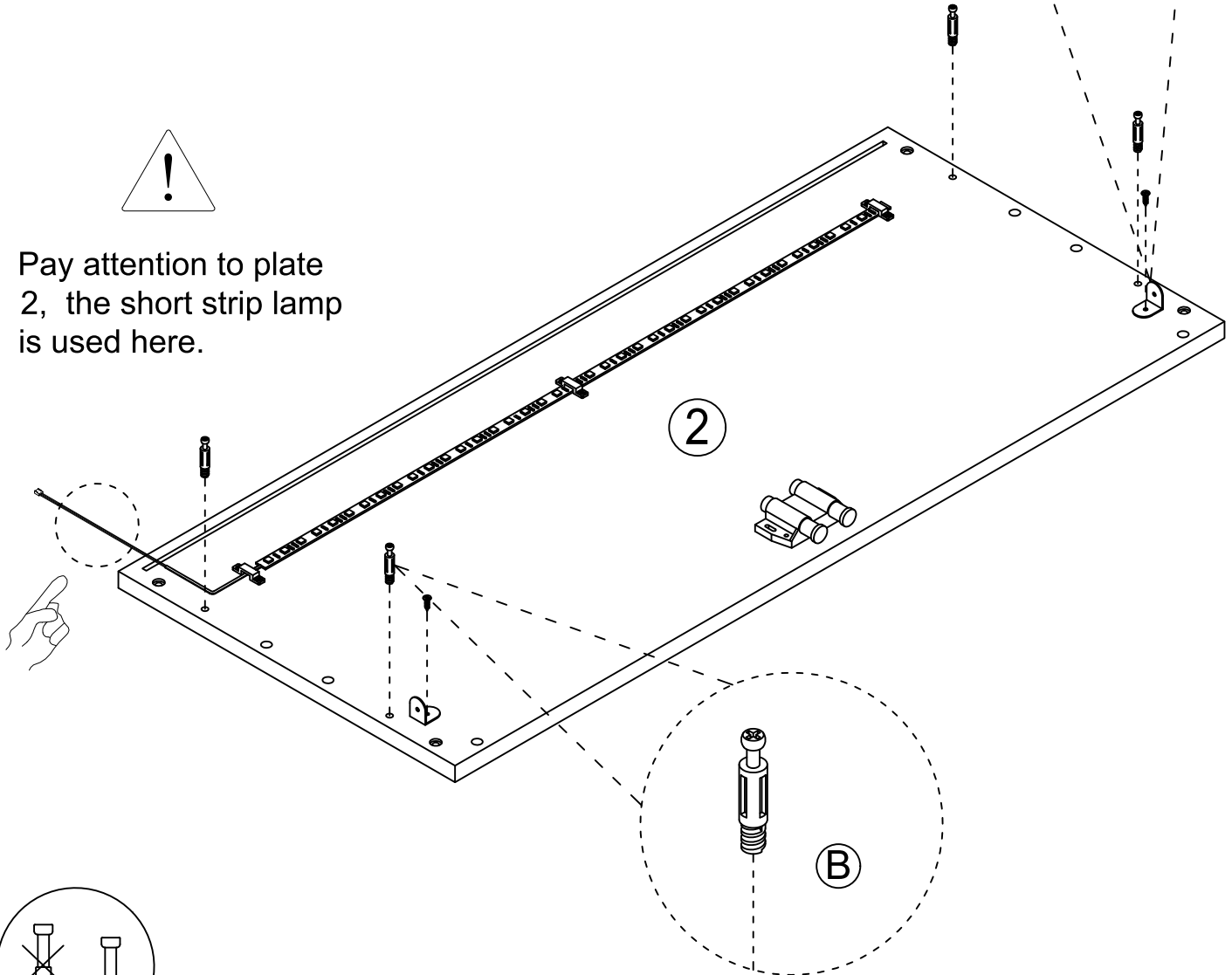
STEP 13



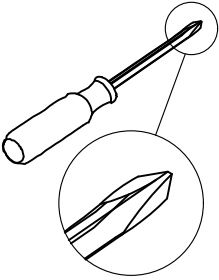
Note that the D-screw should not be fully tightened to 90%.

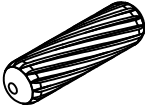



Pay attention to plate 2, the short strip lamp is used here.

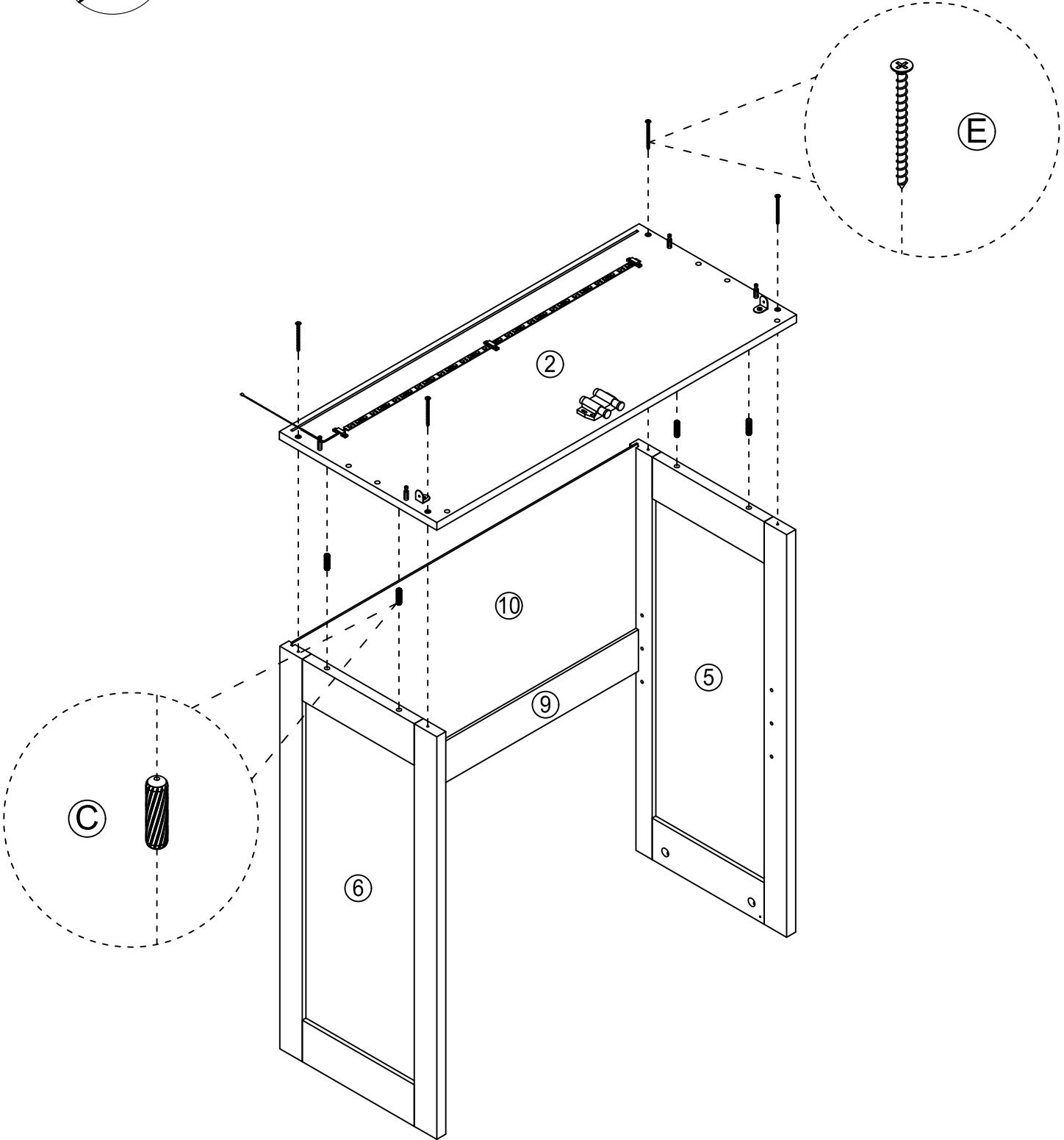


STEP 14



Ⓒ	X4
	
ø8*30	

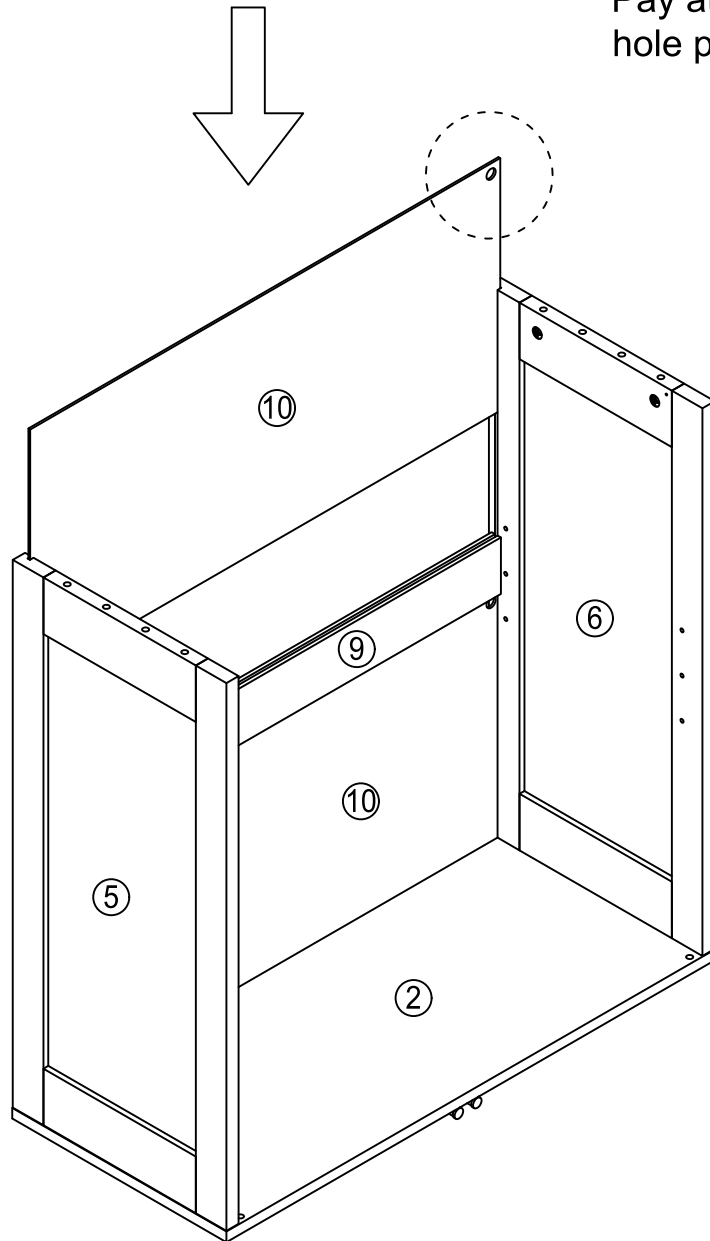
Ⓔ	X4
	
ø4*50	



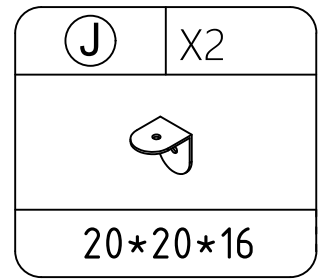
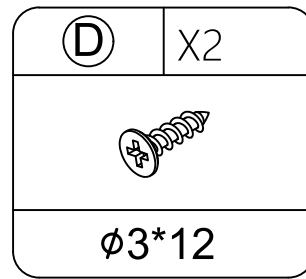
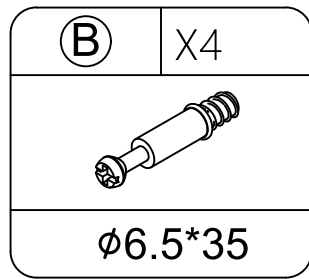
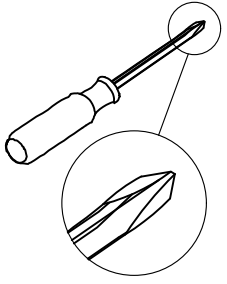
STEP 15



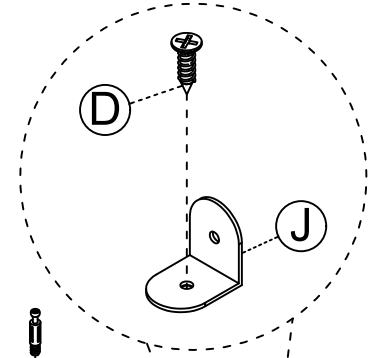
Pay attention to
hole position .



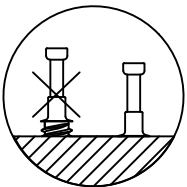
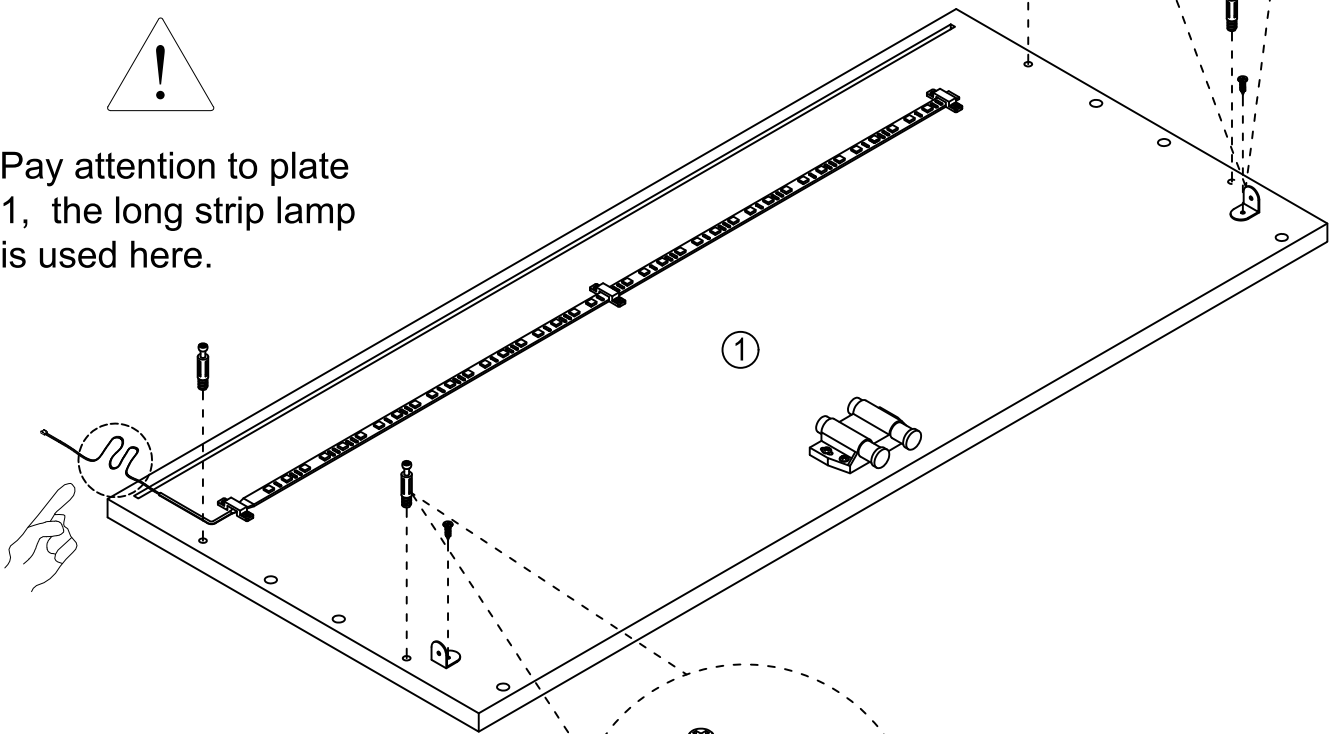
STEP 16



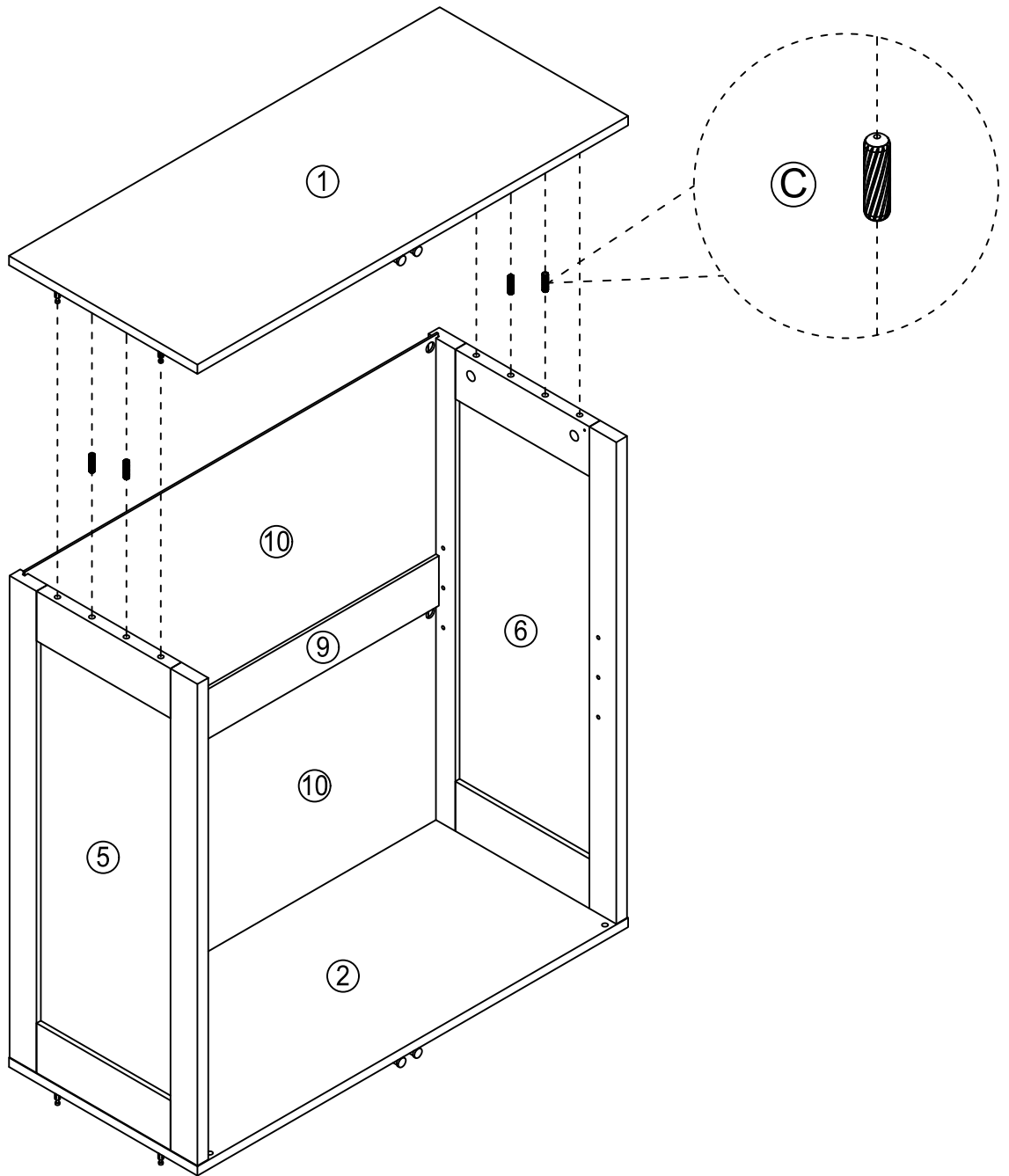
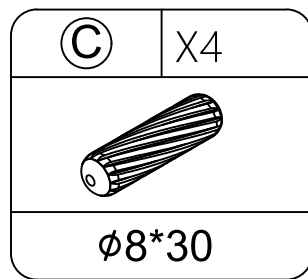
Note that the D-screw should not be fully tightened to 90%.



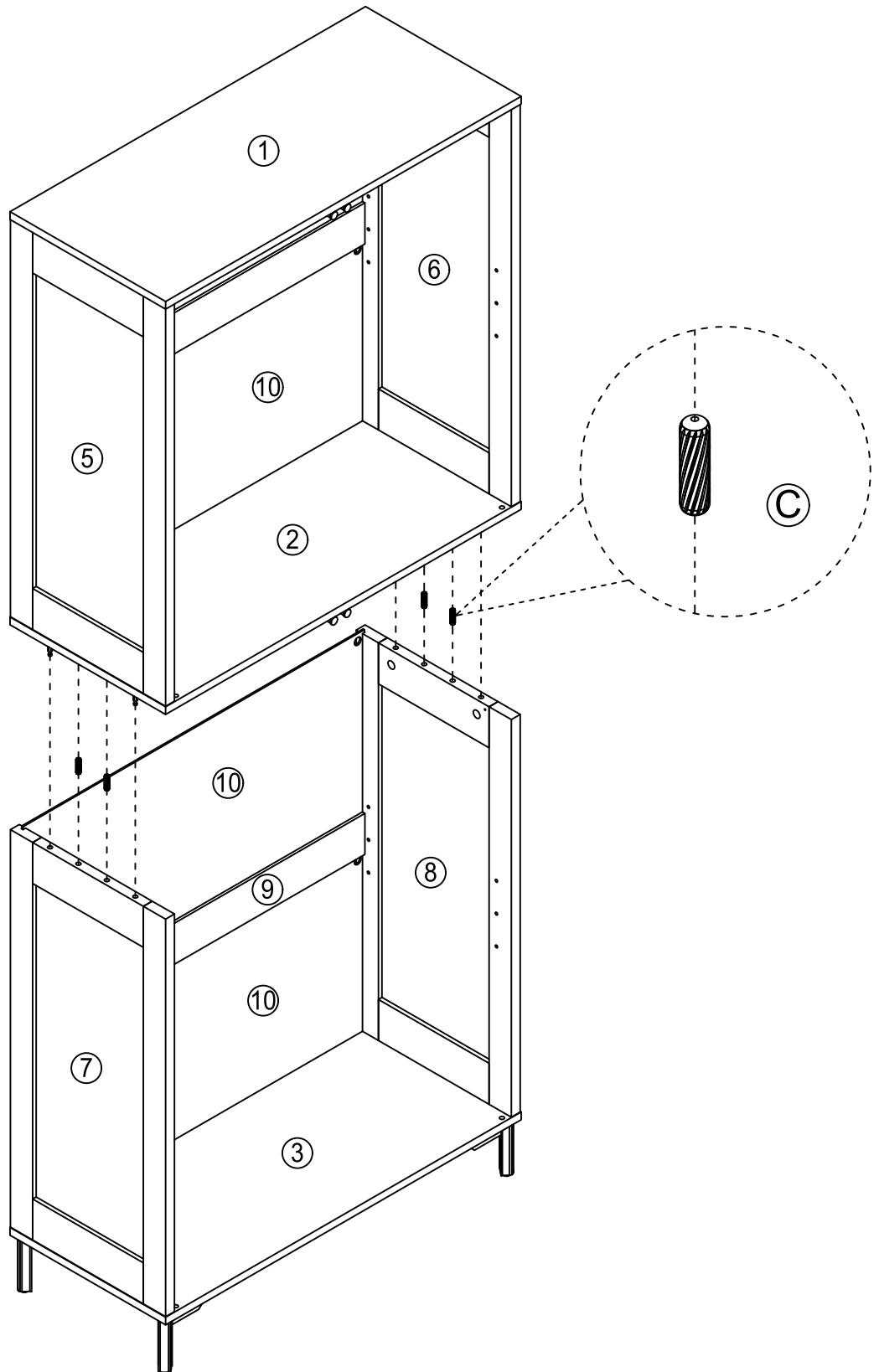
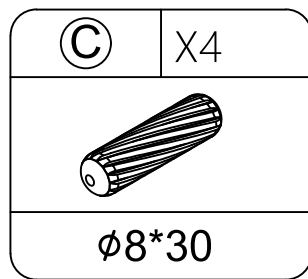
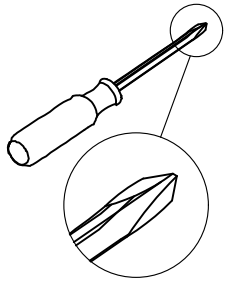
Pay attention to plate 1, the long strip lamp is used here.



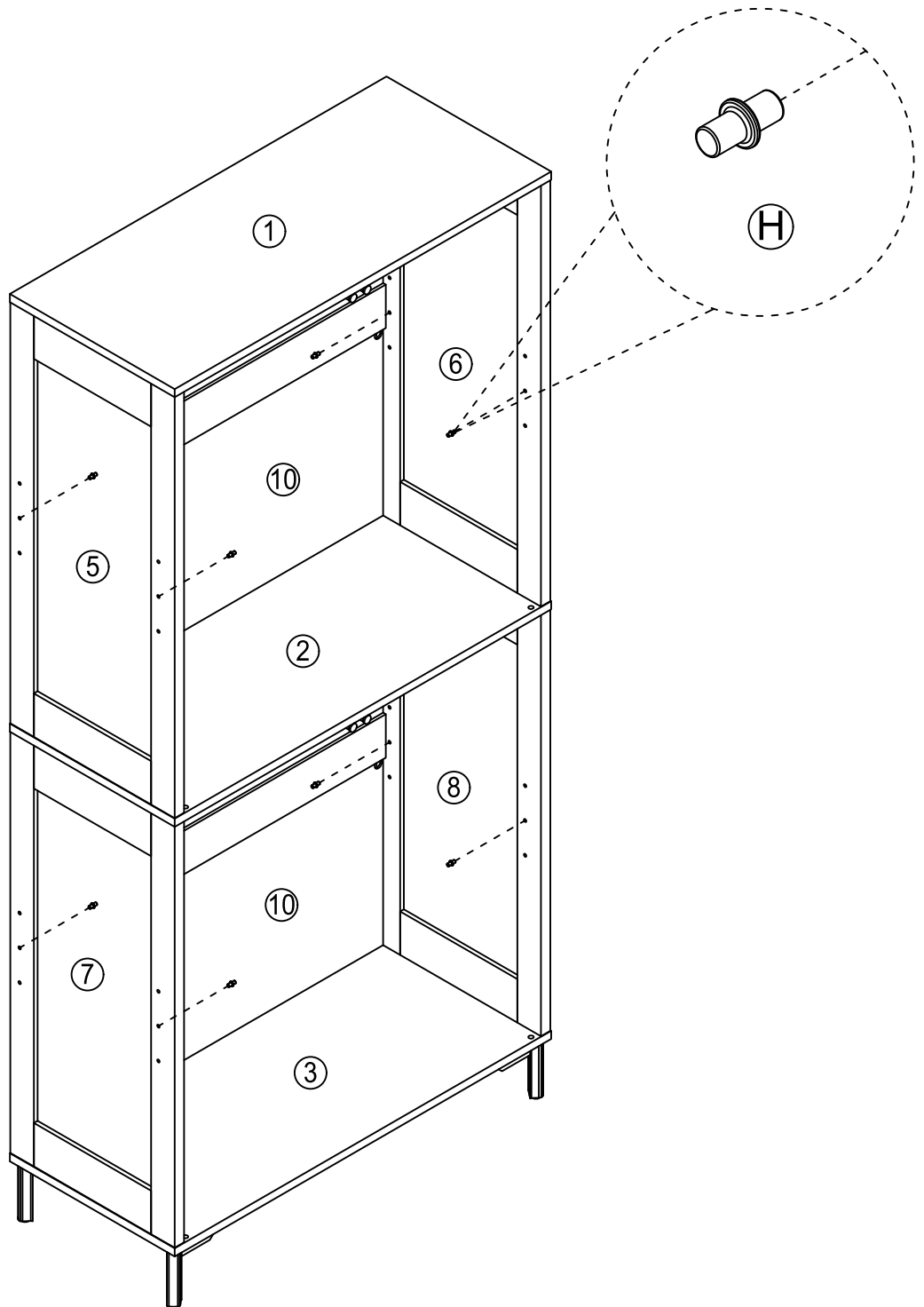
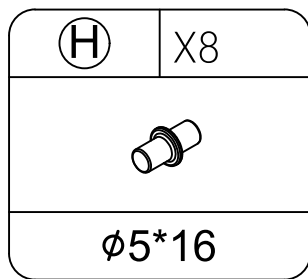
STEP 17



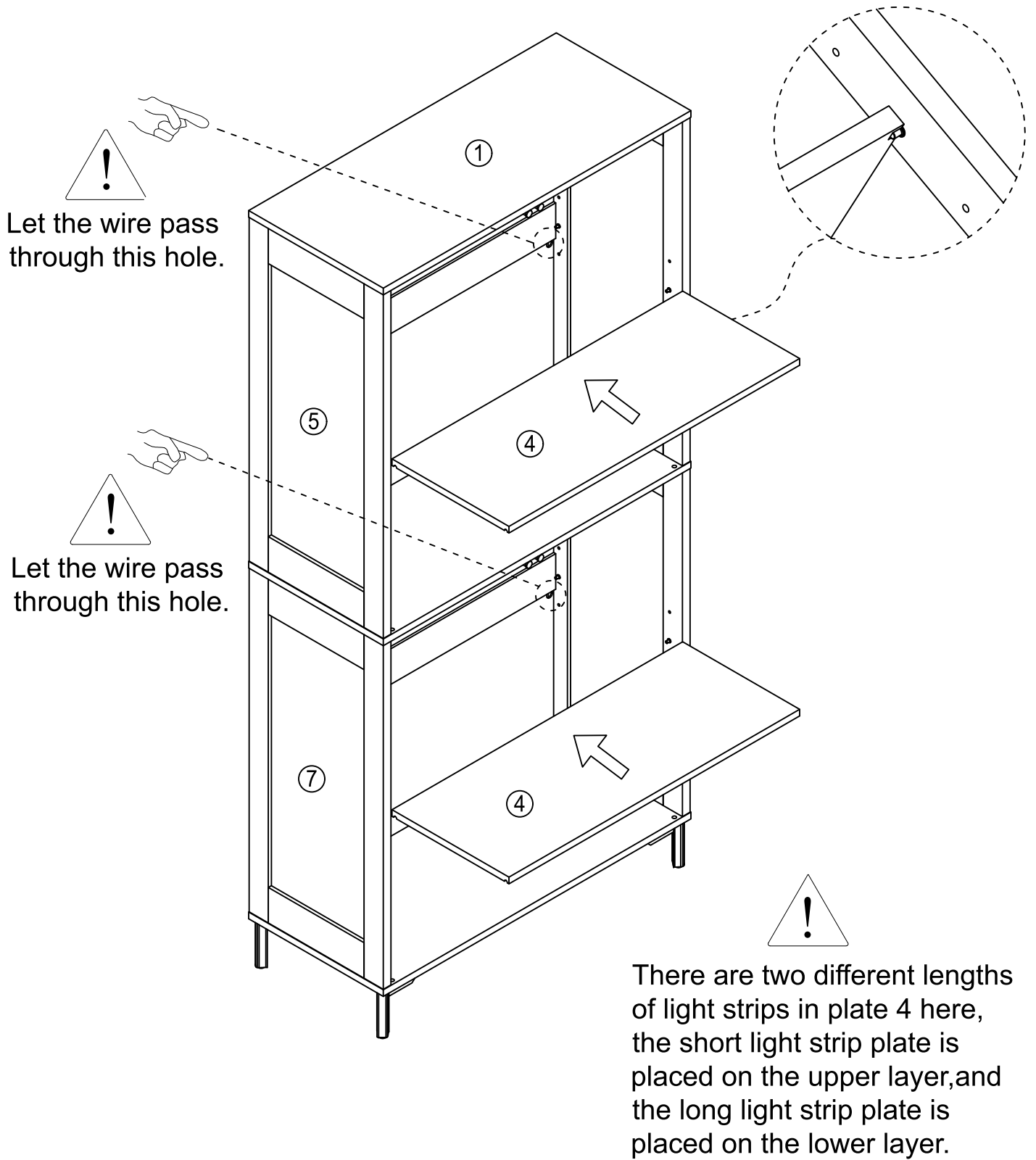
STEP 18



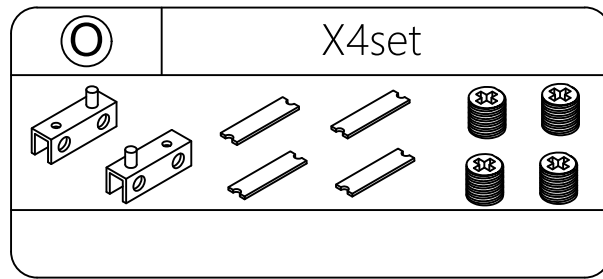
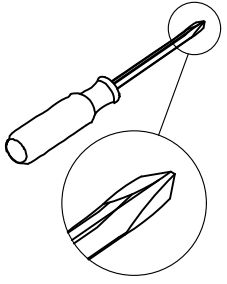
STEP 19



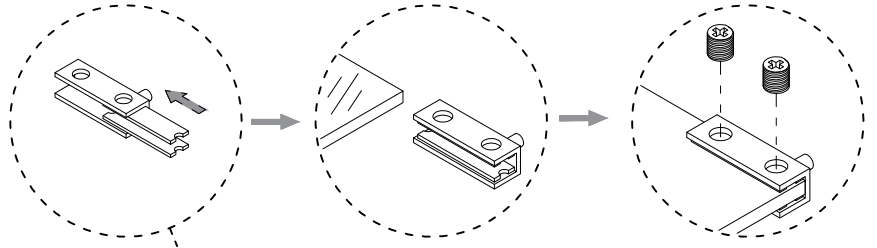
STEP 20



STEP 21



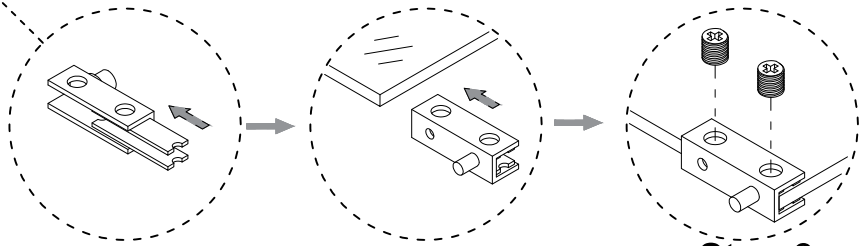
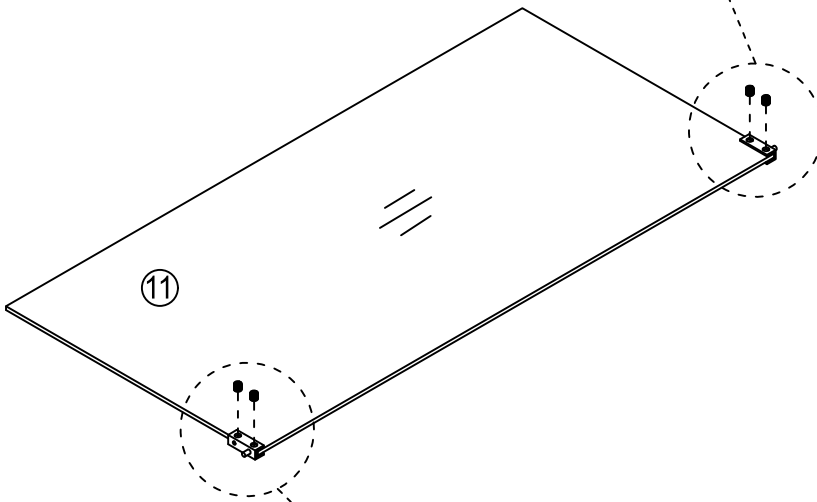
please remove the protective
before assembling the product.



Step 1

Step 2

Step 3



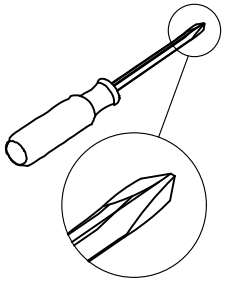
Step 4

Step 5

Step 6

x4

STEP 22

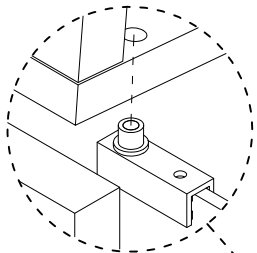
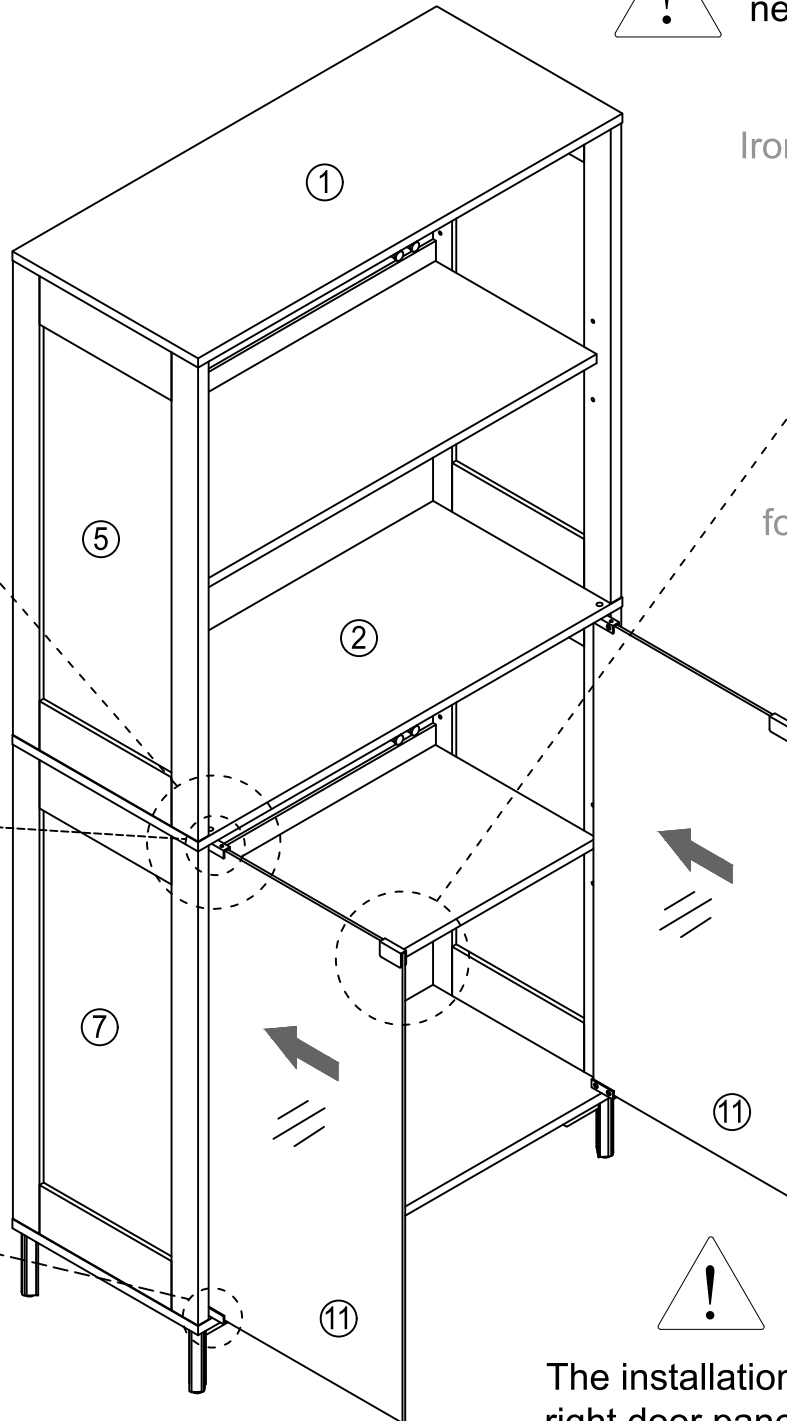


(L)	X2
40*24*10	

(O)	X2set

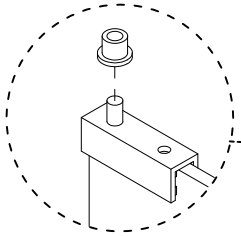


For this step, you need one helper.

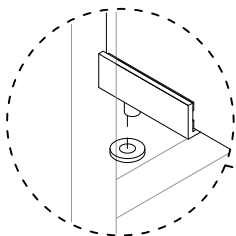


Step 3

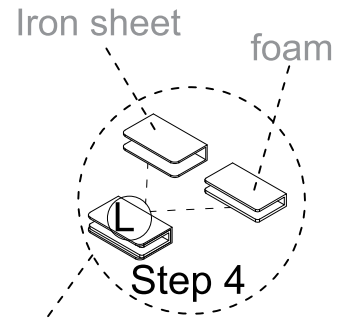
To perform step 3, please slightly raise the left side of board 2.



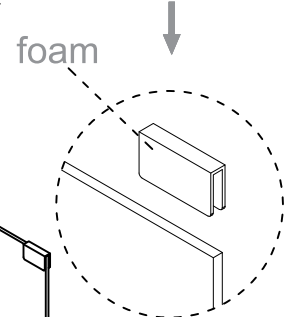
Step 2



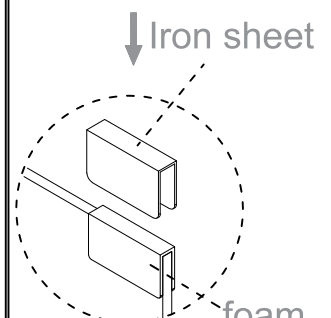
Step 1



Step 4



Step 5

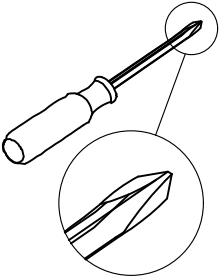


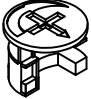
Step 6

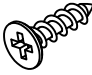



The installation of the right door panel is the same as the left.

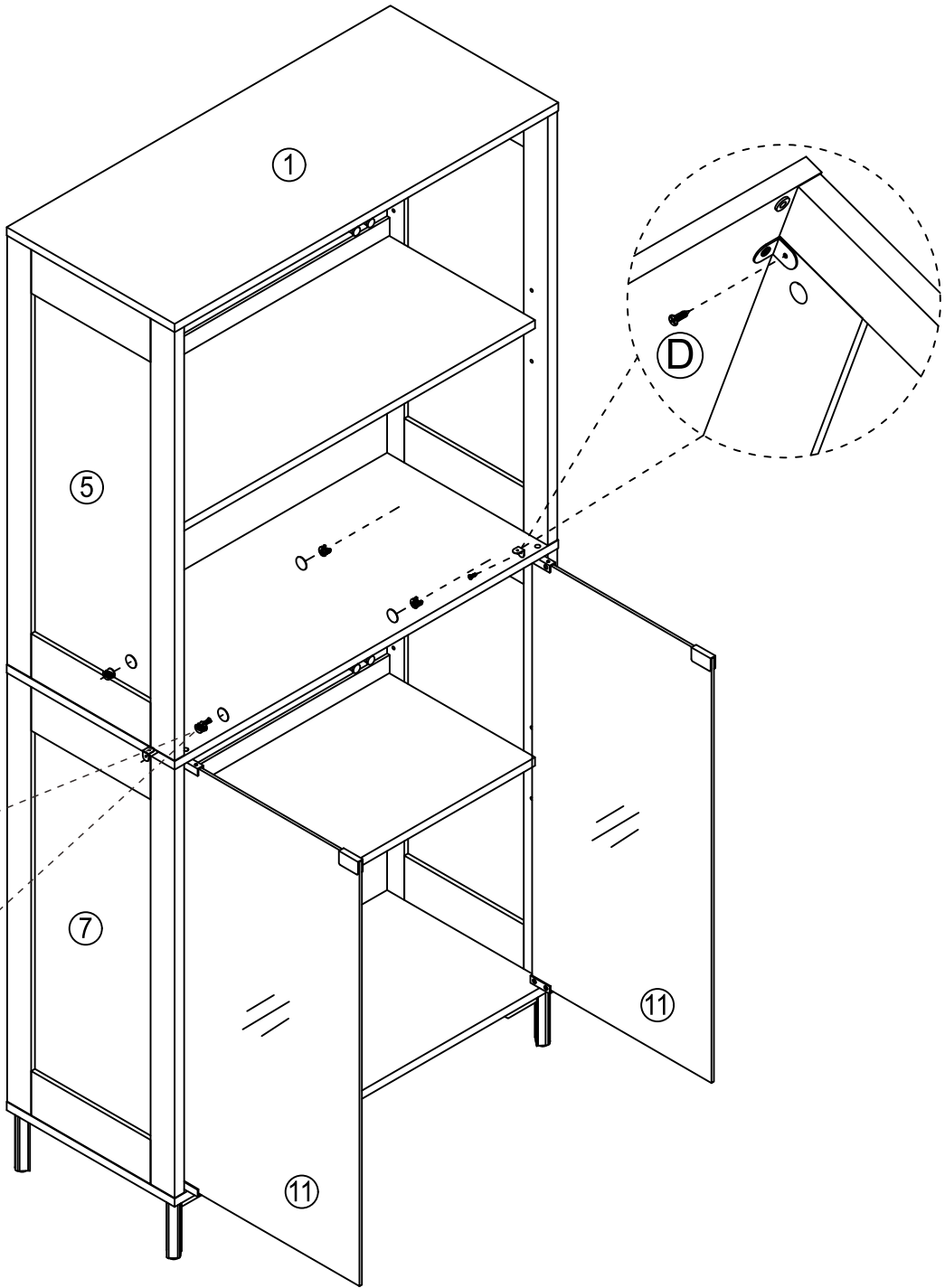
STEP 23



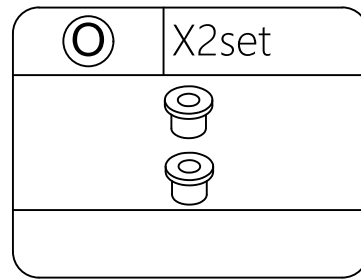
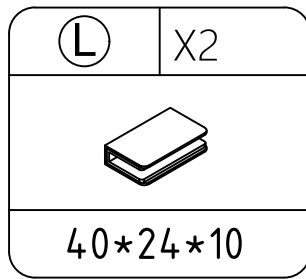
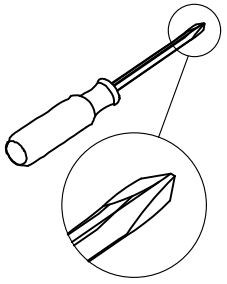
(A)	X4
	
$\phi 15*9.5$	

(D)	X2
	
$\phi 3*12$	

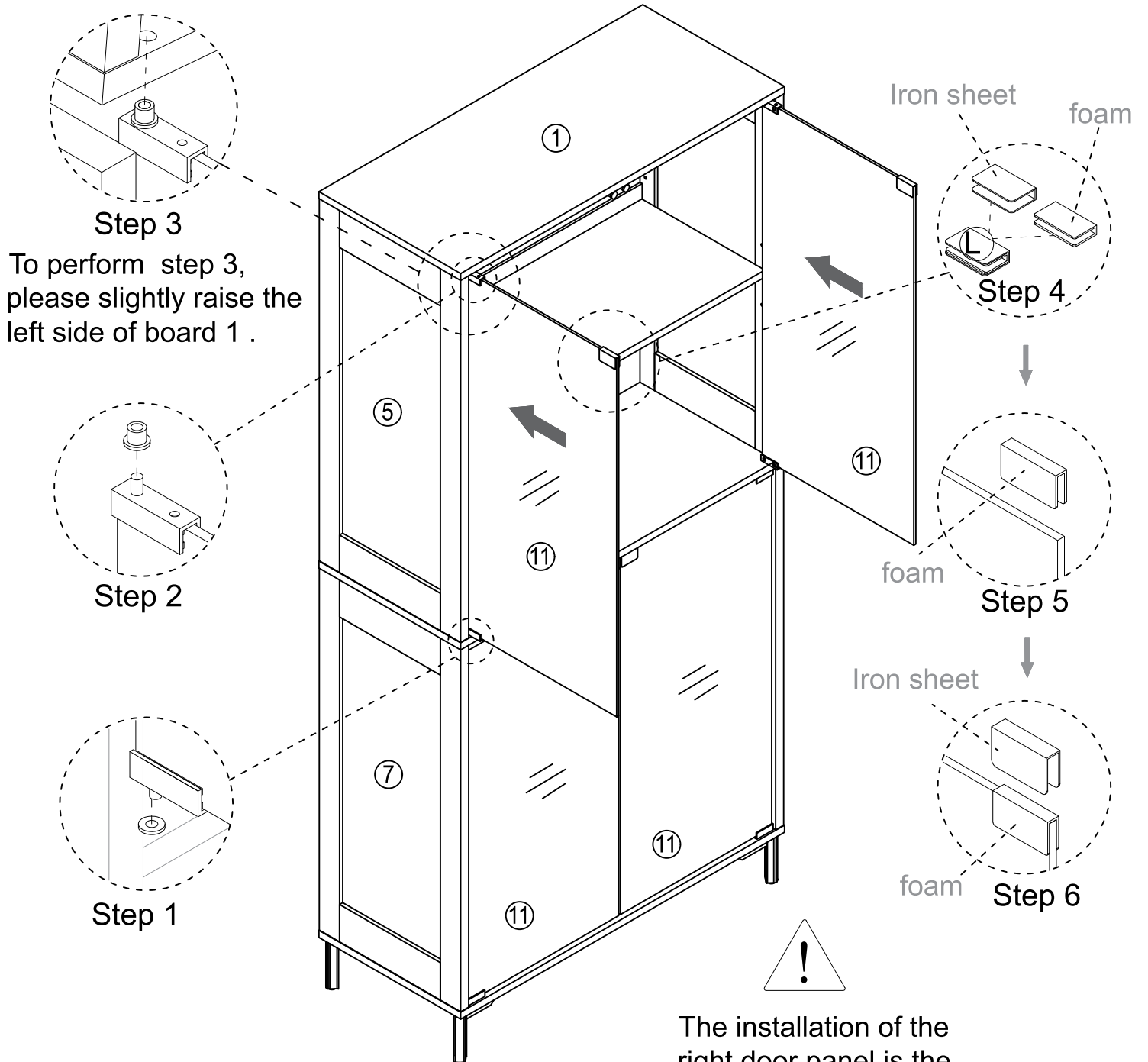
(M)	X4
	
$\phi 21$	



STEP 24

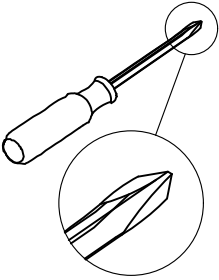


For this step, you need one helper.



The installation of the right door panel is the same as the left.

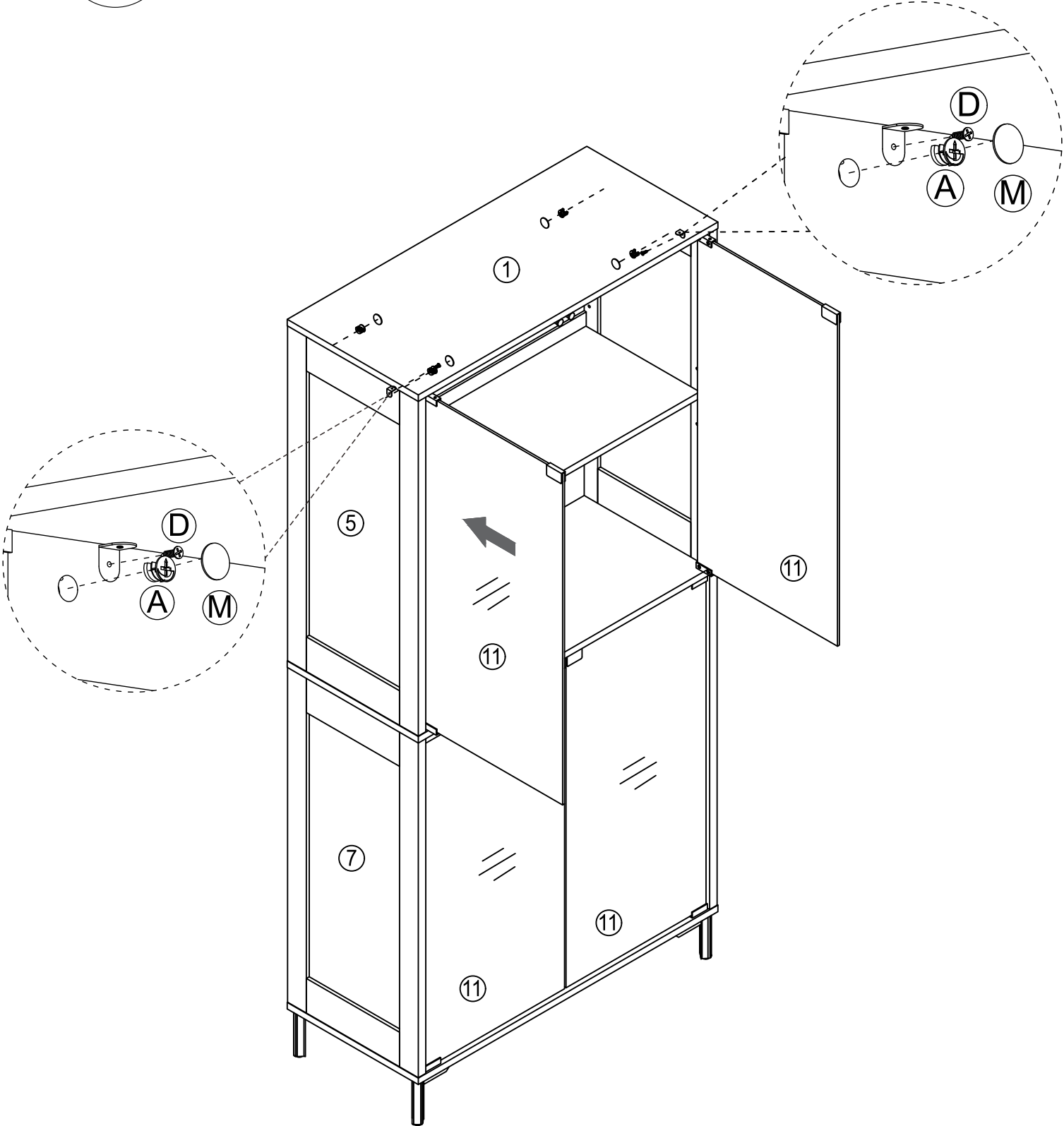
STEP 25



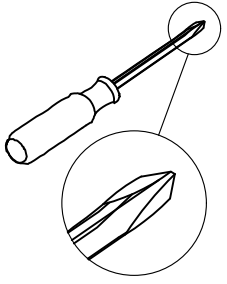
(A)	X4
$\phi 15 * 9.5$	


(D)	X2
$\phi 3 * 12$	


(M)	X4
$\phi 21$	




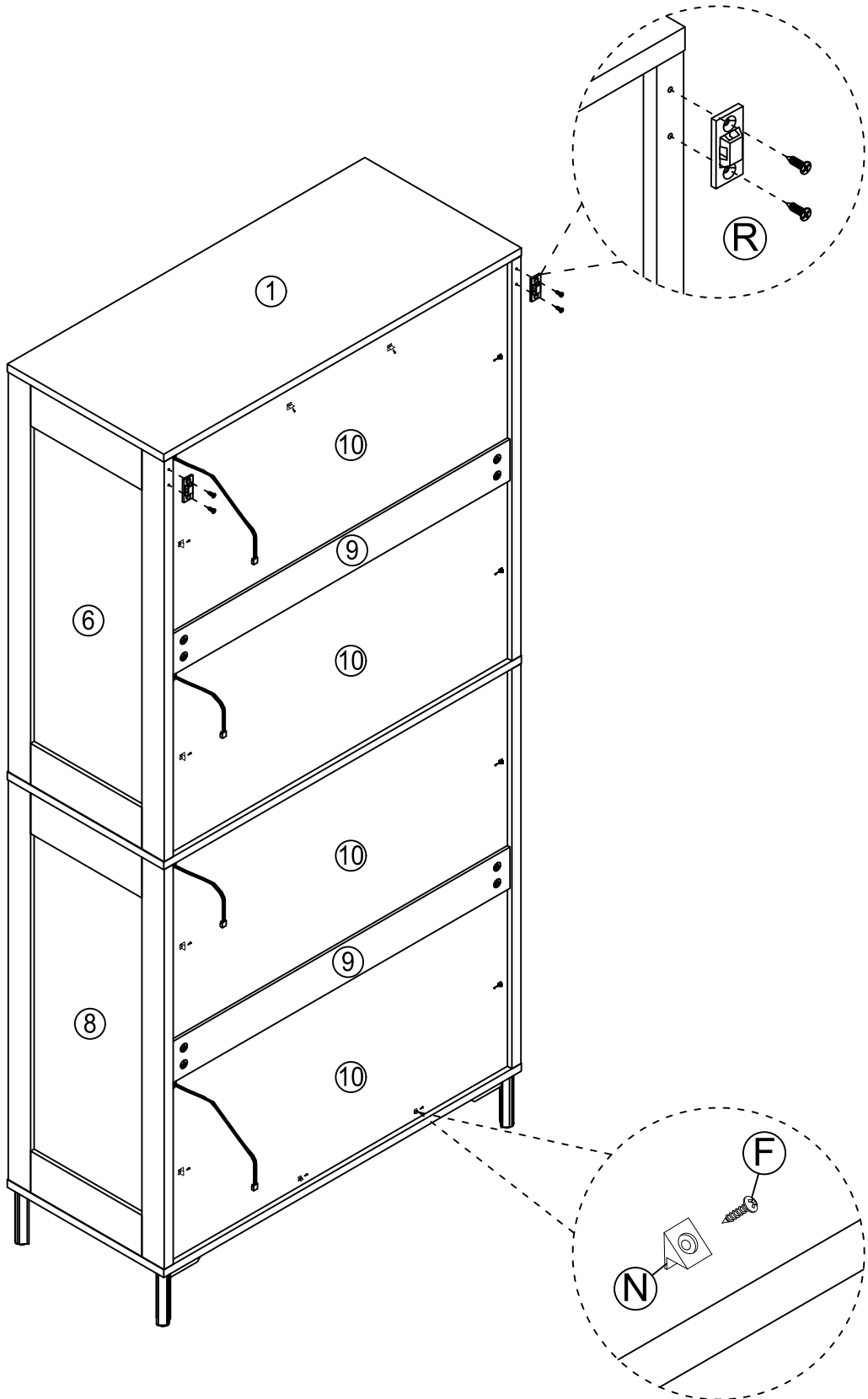
STEP 26



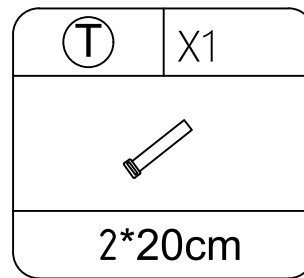
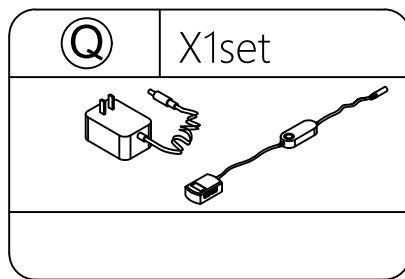
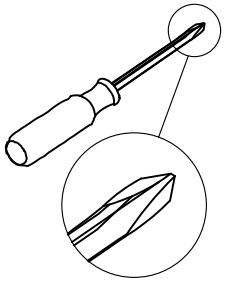
(F)	X12
	
ø3*14	

(N)	X12
	

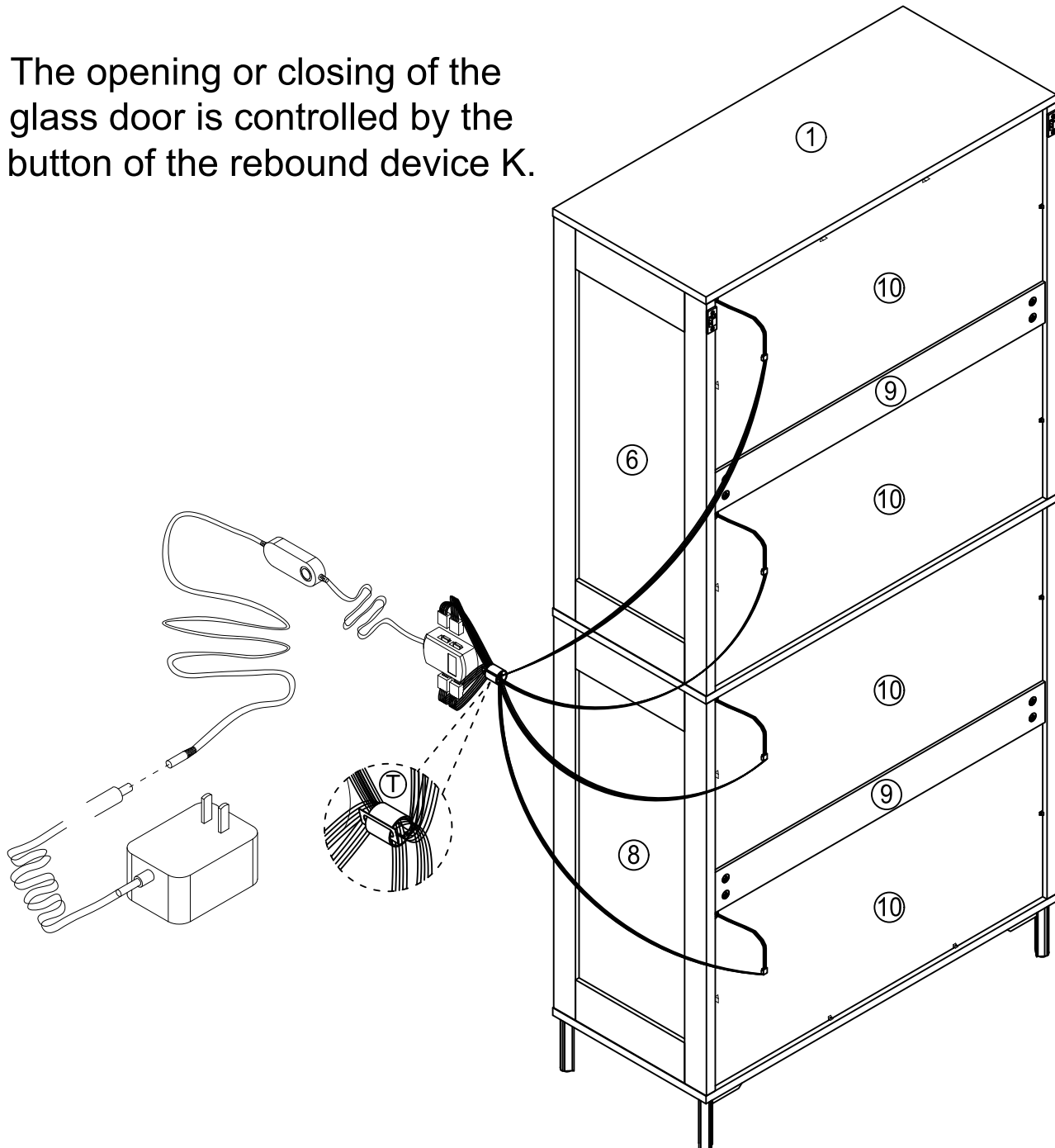
(R)	X2set
	



STEP 27

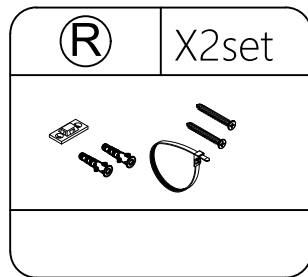
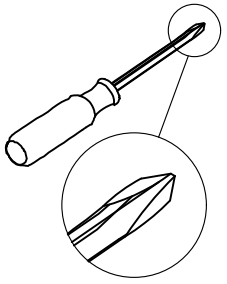


The opening or closing of the glass door is controlled by the button of the rebound device K.



If you are not satisfied with the spacing between the glass doors, you can loosen the four screws of hardware I on each door, then move the glass to your desired position and tighten the screws again .

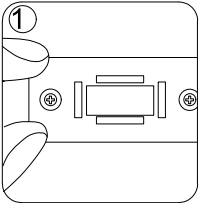
STEP 28



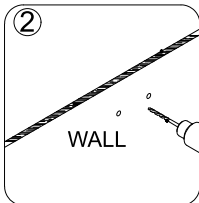
NOTE: The tipping restraint hardware included is for wooden stud wall construction. It must be attached to a wall stud. Depending upon your wall construction different anchor hardware may be required. Please contact your local hardware store for assistance. Young children can be seriously injured by tipping furniture. You must install the tipping restraint hardware with the unit to prevent the unit from tipping, causing any accidents or damage. The tipping restraints are intended only as a deterrent and are not a substitute for proper adult supervision. The tipping restraints are not earthquake restraints. If you wish to add the extra security of earthquake restraints, they must be purchased and installed separately.



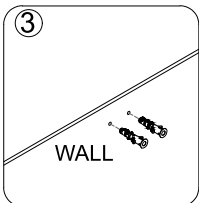
Install the tipping restraint hardware



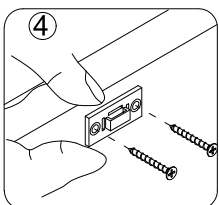
1. make mark on the wall



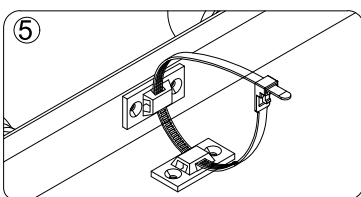
2. drill two Ø6 holes on the wall



3. put two anchors in the holes



4. fix the device on the wall by the long screws



5. Push the cabinet close to the wall so that the two bases are close to each other, and then nylon tie to tighten it.

