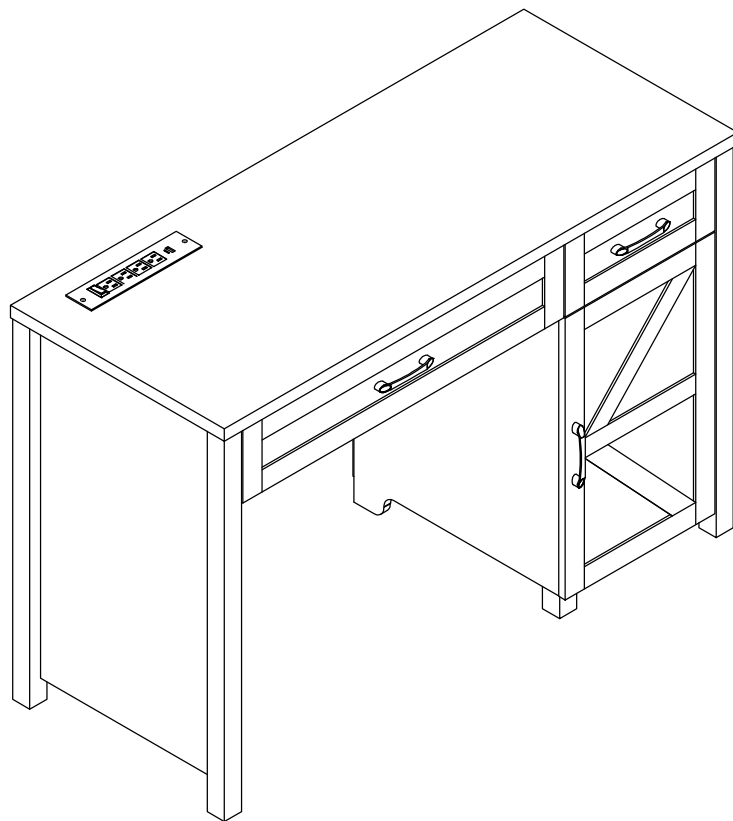
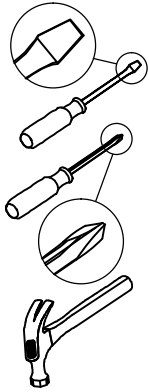

Installation & Assembly



As this item contains many parts, please read the installation instruction carefully before installation . Please use tools properly and carefully. If you have any questions about the product and installation, please contact us.

Our professional after-sales team will serve you online all day.

Before You Start



- ✓ Read through each step carefully and follow the proper order
- ✓ Separate and count all your parts and hardware
- ✓ Give yourself enough room for the assembly process
- ✓ Have the following tools: Flat Head Screwdriver, #2 Phillips Head Screwdriver and Hammer
- ✓ Caution: If using a power drill or power screwdriver for screwing, please be aware of to slow down and stop when screw is tight. Failure to do so may result in stripping the screw. (Assembly speed can be increased by using electric screwdriver)

Helpful Hints

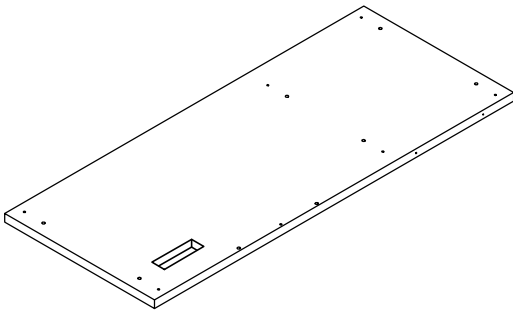
PEOPLE NEEDED FOR ASSEMBLY: 1-2

- Open your item in the area you plan to keep it to avoid excessive heavy lifting.
- Identify, sort and count the parts before attempting assembly.
- Compression dowels are lightly tapped in with a hammer.
- Slides are labeled with an **R** (right) and **L** (left) for proper placement.
- Make sure to always face the point on the top of the Cam Lock towards the outer edge.
- If there is a back panel in the package, please install it to make sure your unit is complete and sturdy.
- Please fix all the screws provided for the back panel which can enhance product stability. If it is difficult to fix it when tightening, it can be fixed with the help of a hammer and then tightened.
- Do NOT use harsh chemicals or abrasive cleaners on this item.
- Never push, pull, or drag your furniture.



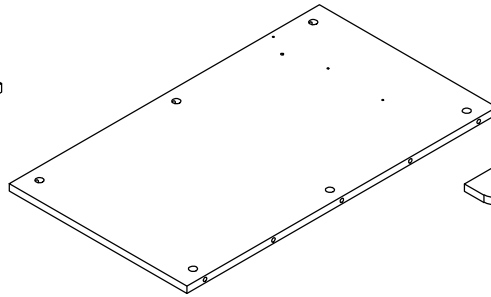
Board Identification

Not actual size



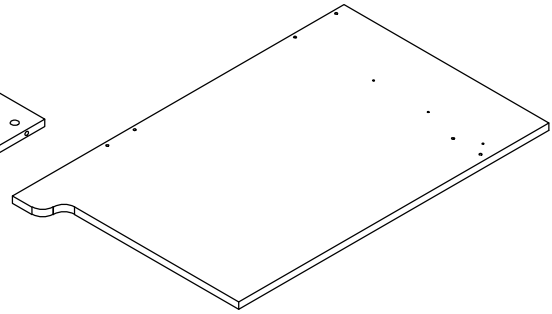
(A)

DESK TOP



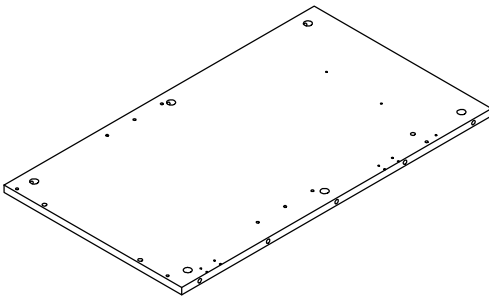
(B)

LOWER LEFT SIDE PANEL



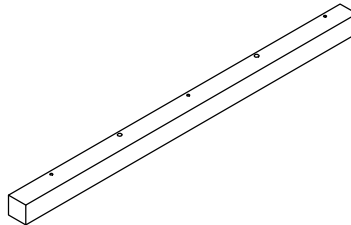
(C)

LOWER PARTITION



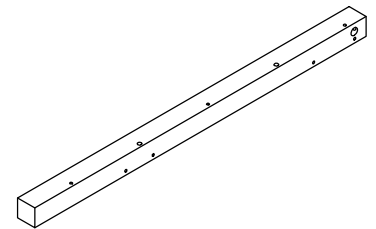
(D)

LOWER RIGHT SIDE PANEL



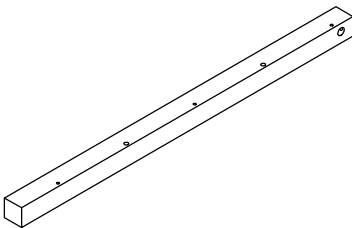
(E)

LEG



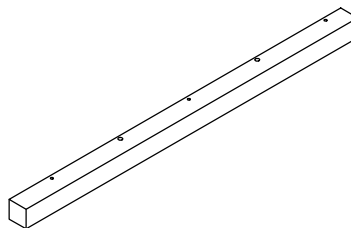
(F)

LEG



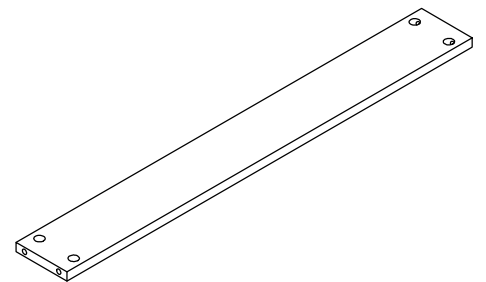
(G)

LEG



(H)

LEG

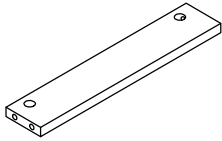


(I)

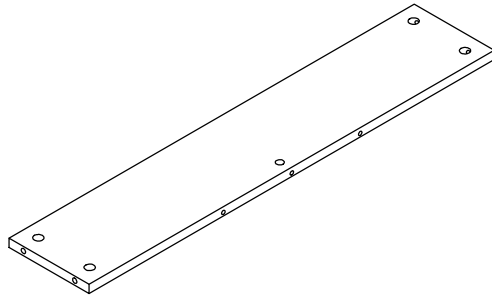
FRONT SLAT

Board Identification

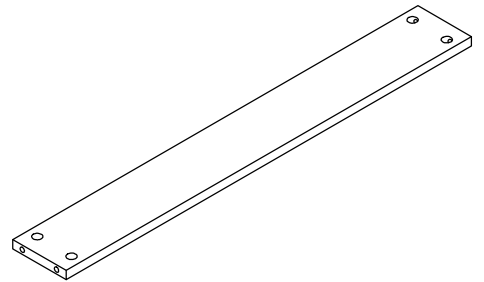
Not actual size



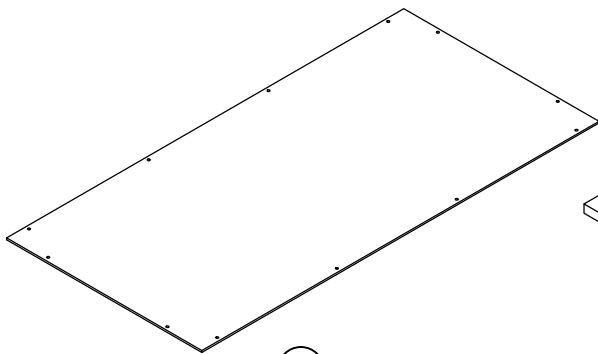
ⓐ
FRONT SLAT



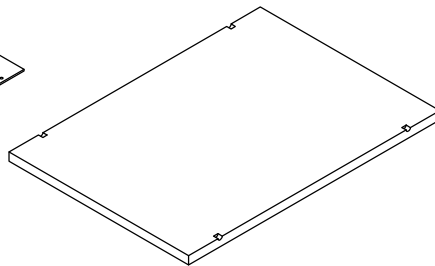
ⓑ
BACK SLAT



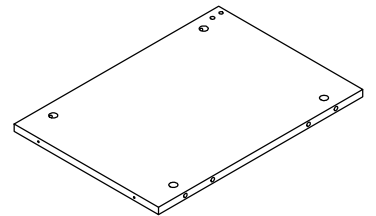
ⓒ
BACK SLAT



ⓓ
LOWER BACK PANEL



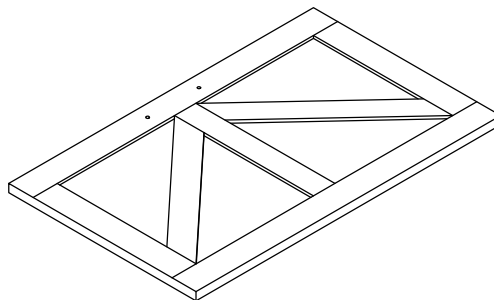
ⓔ
SHELF PANEL



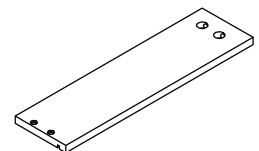
ⓕ
BOTTOM



ⓖ
LEG



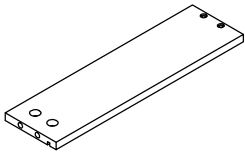
ⓗ
PANEL



ⓘ
DRAWER LEFT SIDE PANEL
Qty:2

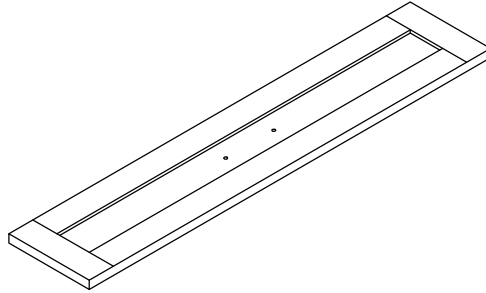
Board Identification

Not actual size



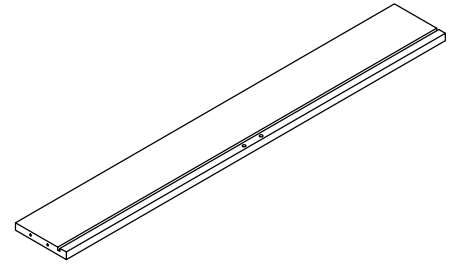
Ⓢ

DRAWER RIGHT SIDE PANEL
Qty:2



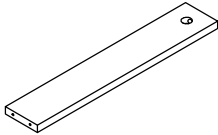
Ⓣ

DRAWER FRONT PANEL



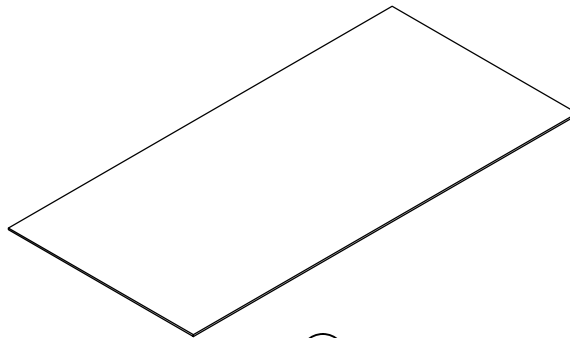
Ⓤ

DRAWER BACK PANEL



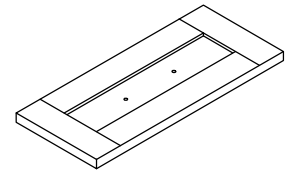
Ⓥ

DRAWER BOTTOM SLAT



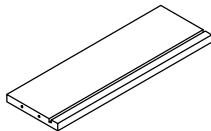
Ⓦ

DRAWER BOTTOM PANEL



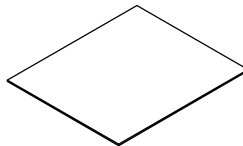
Ⓧ

DRAWER FRONT PANEL



Ⓨ

DRAWER BACK PANEL

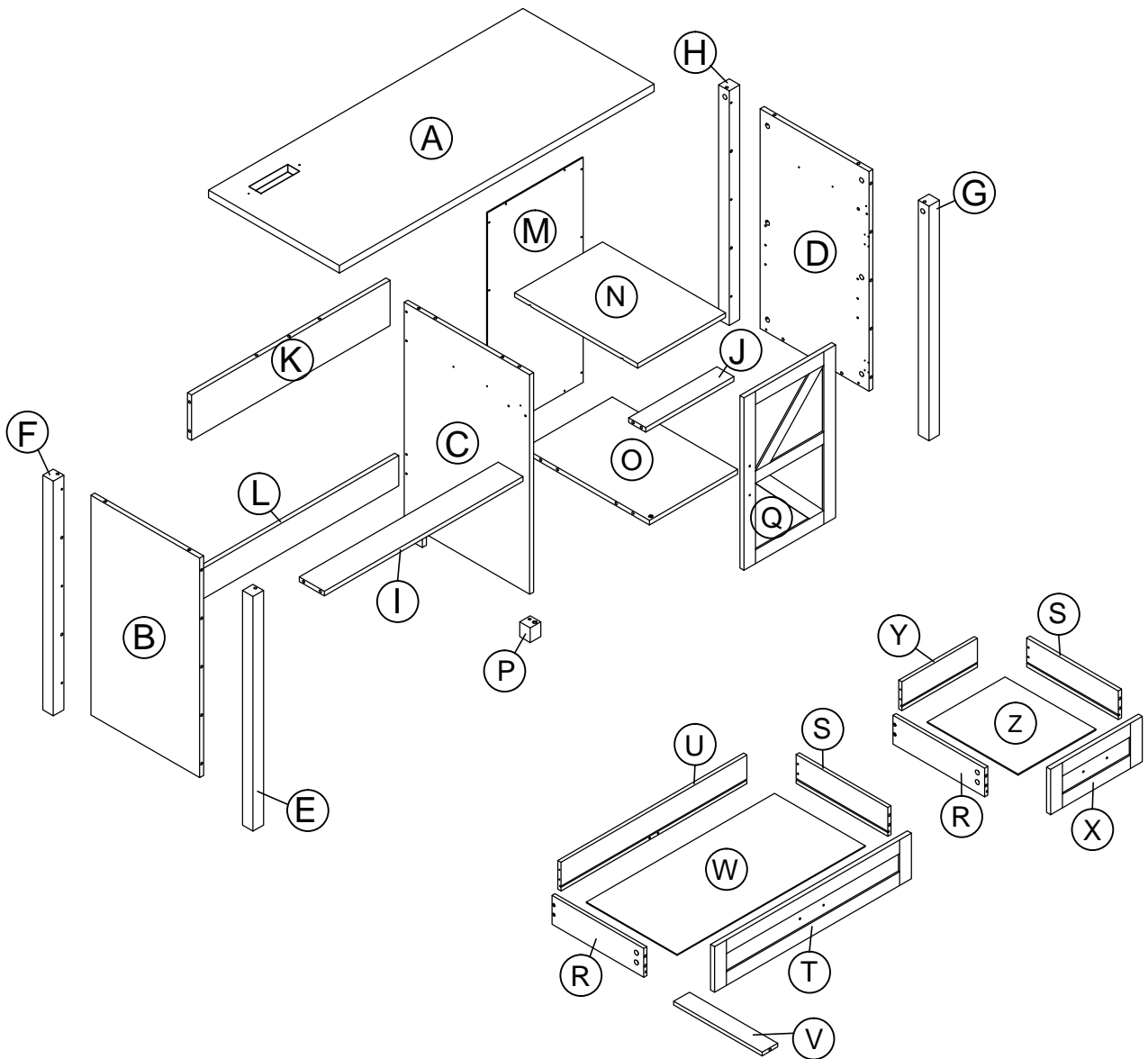


Ⓩ

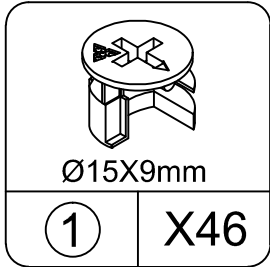
DRAWER BOTTOM PANEL

Board Identification

Not actual size

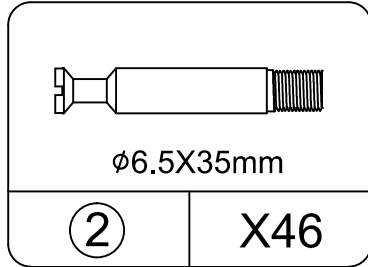


Part List



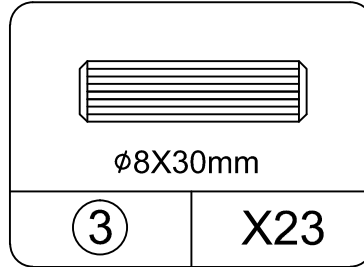
① X46

CAM LOCK
spare: 4



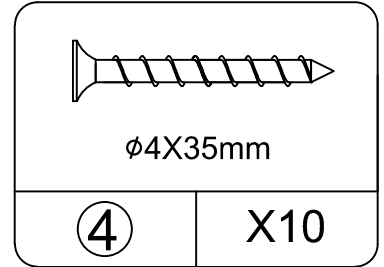
② X46

CAM BOLT
spare: 4



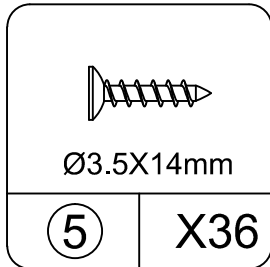
③ X23

WOOD DOWEL
spare: 2



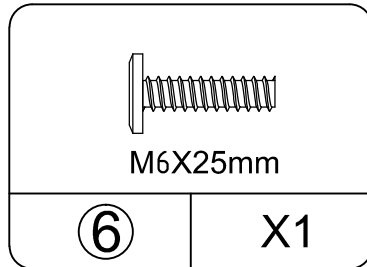
④ X10

SCREW
spare: 1



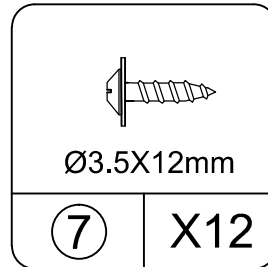
⑤ X36

SCREW
spare: 3



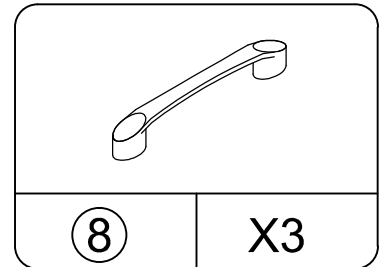
⑥ X1

SCREW
spare: 1



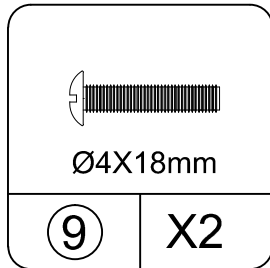
⑦ X12

SCREW
spare: 2



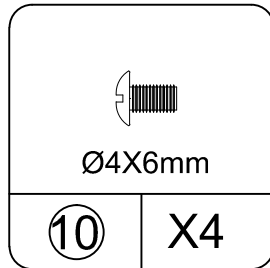
⑧ X3

HANDLE



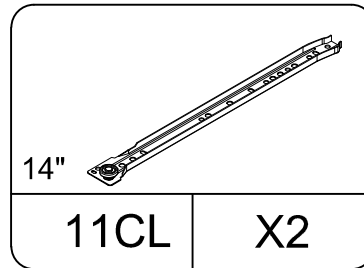
⑨ X2

SCREW
spare: 1



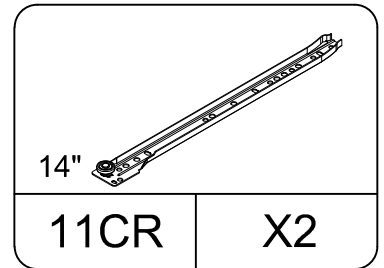
⑩ X4

SCREW
spare: 1



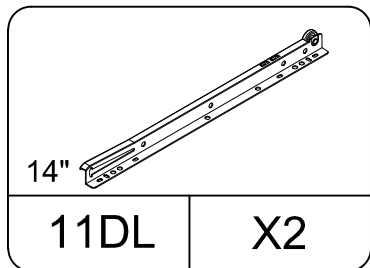
11CL X2

LEFT CABINET MEMBER



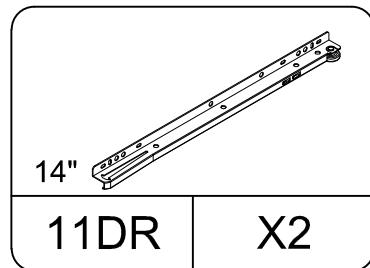
11CR X2

RIGHT CABINET MEMBER



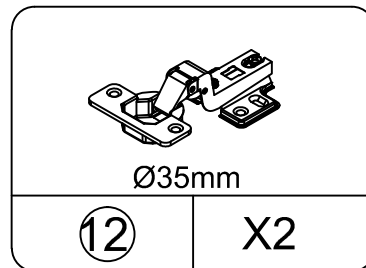
11DL X2

LEFT DRAWER RUNNER



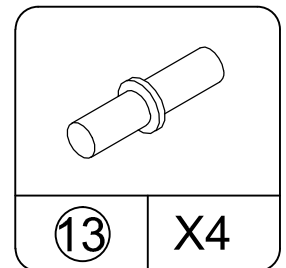
11DR X2

RIGHT DRAWER RUNNER



⑫ X2

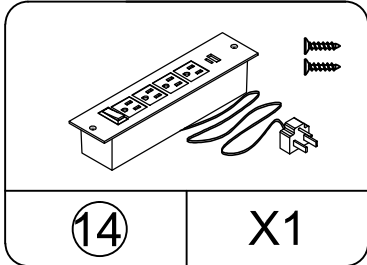
HINGE



⑬ X4

SHEIF SUPPORT

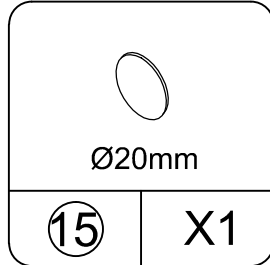
Part List



14

X1

PLUG BOARD

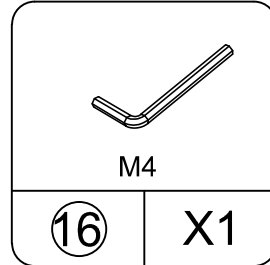


Ø20mm

15

X1

SCAM LOCK COVER
spare: 1



M4

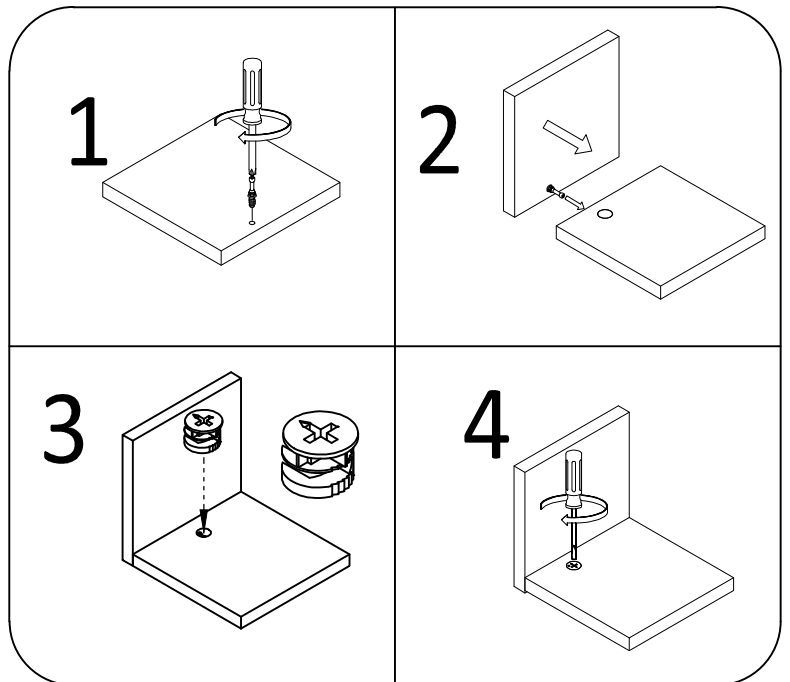
16

X1

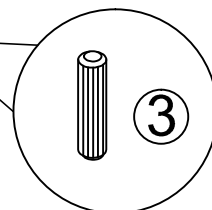
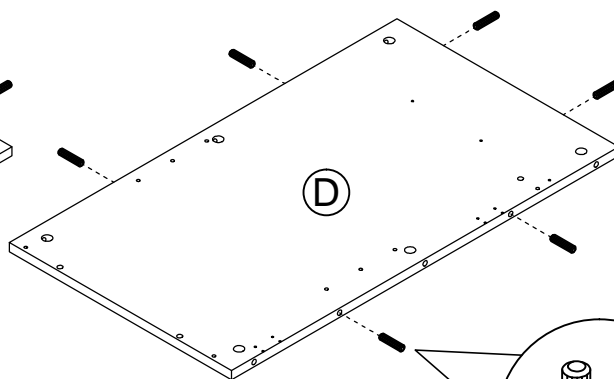
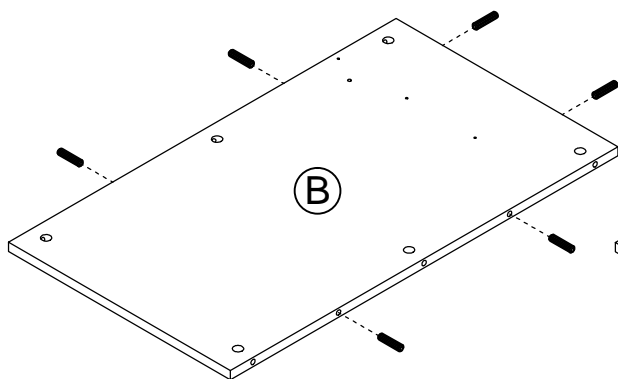
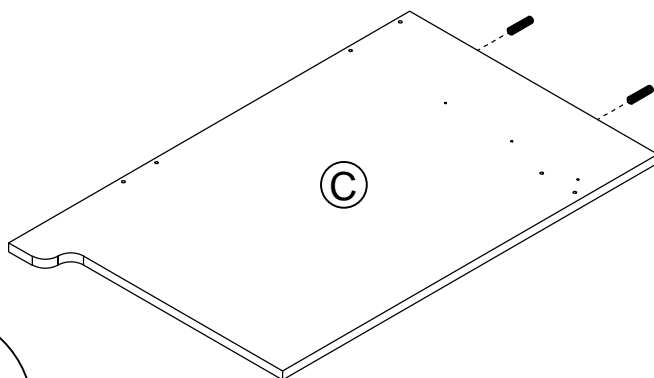
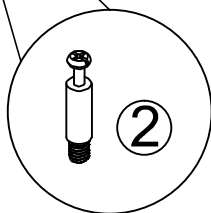
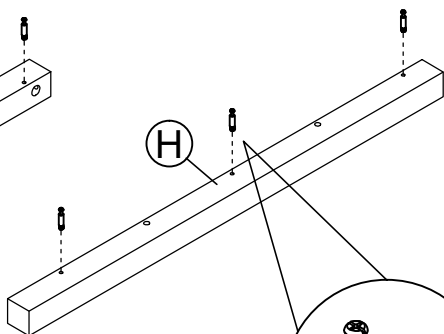
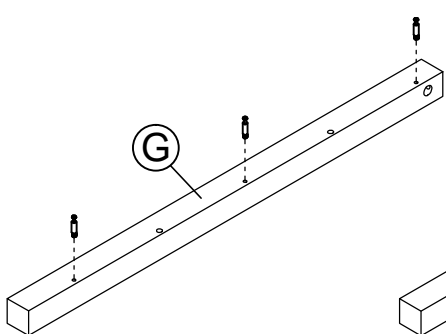
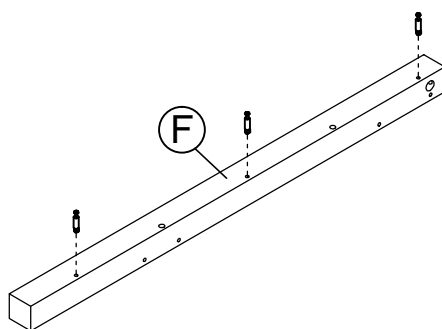
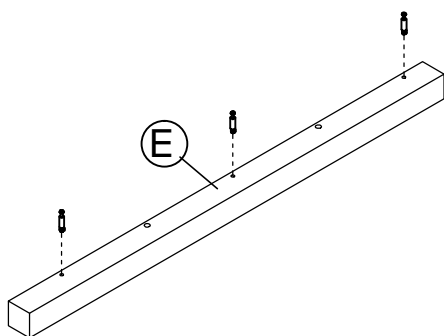
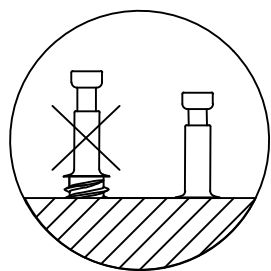
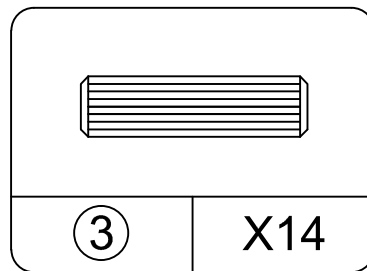
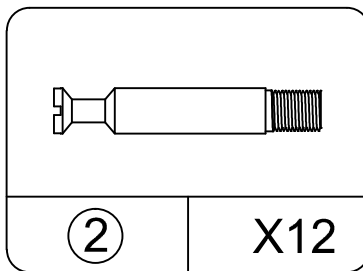
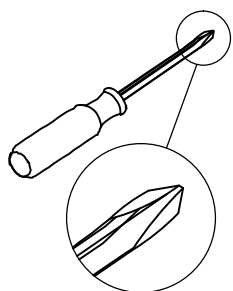
HEX KEY

Cam Lock Fastening System

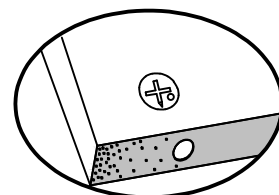
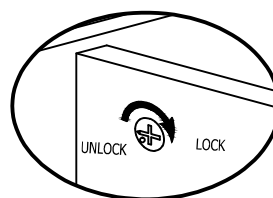
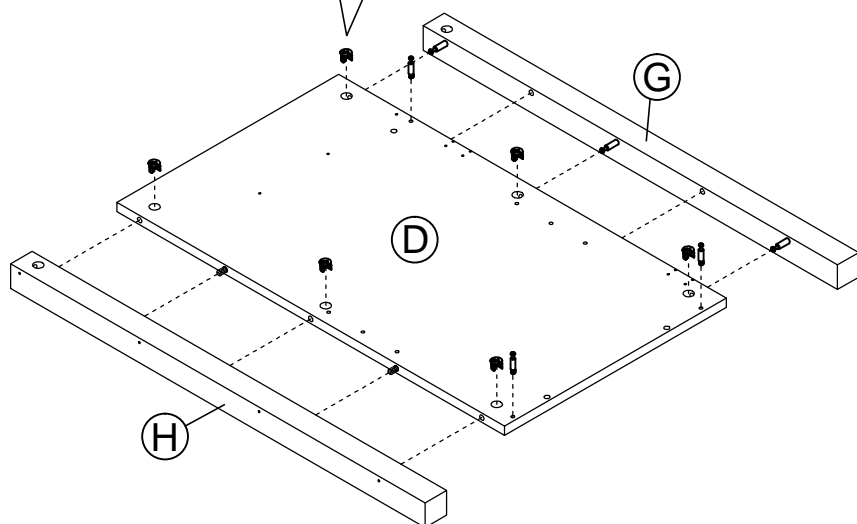
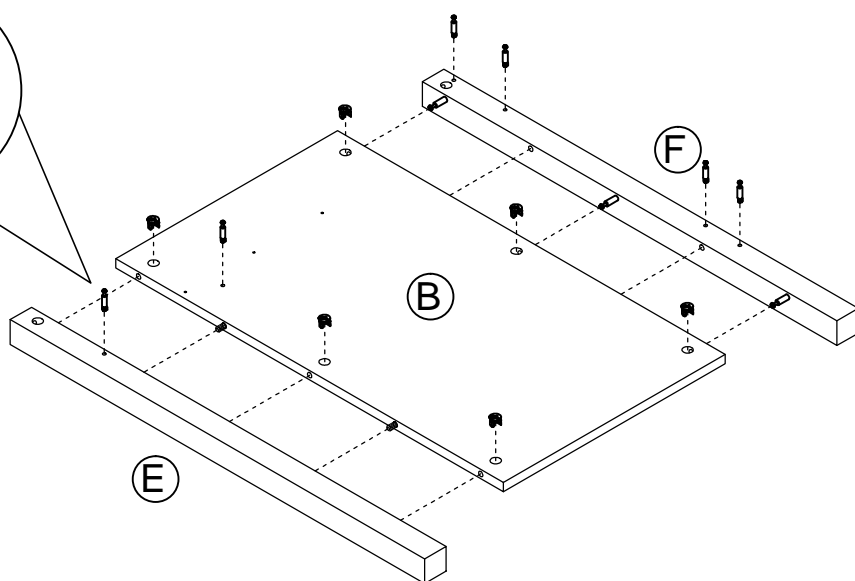
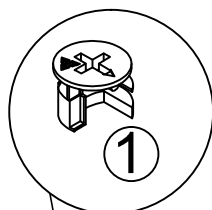
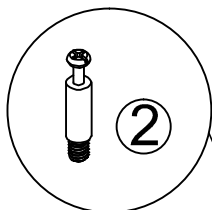
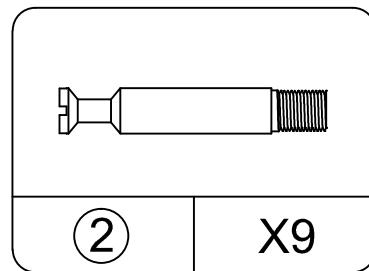
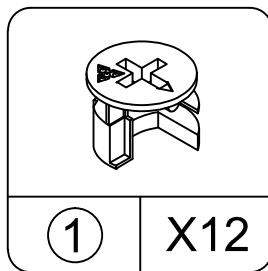
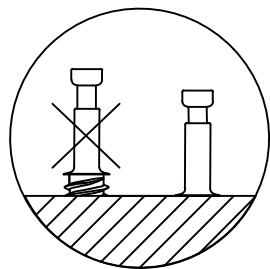
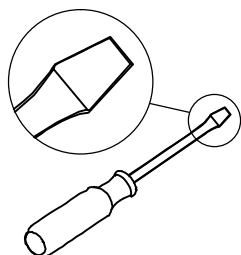
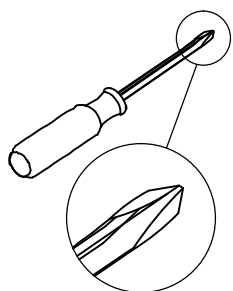
Insert the cam bolt into the hole first, then insert the cam lock and lock it.



STEP 1

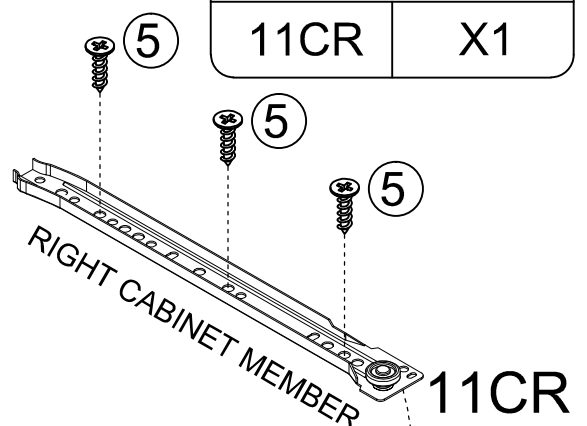
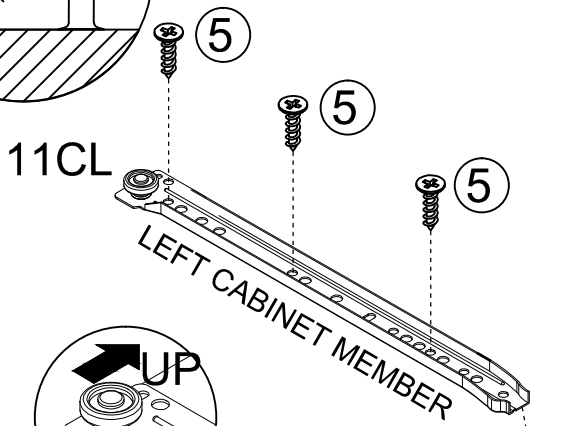
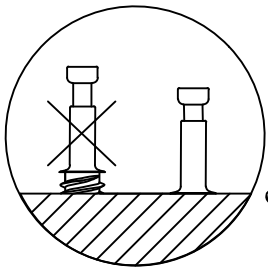
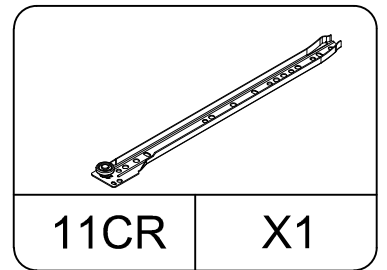
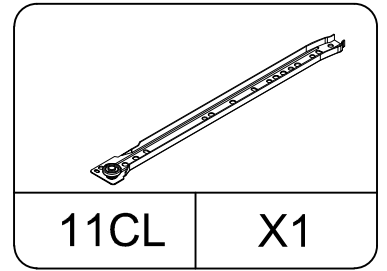
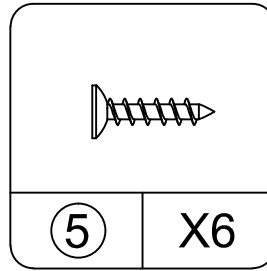
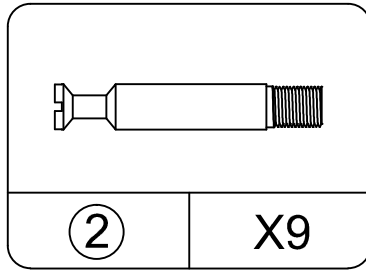
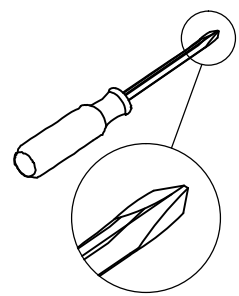


STEP 2

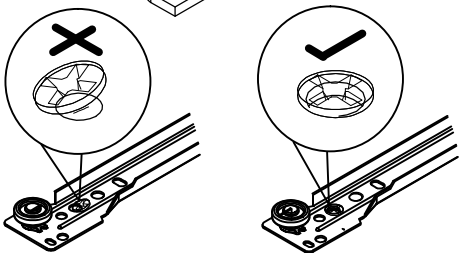
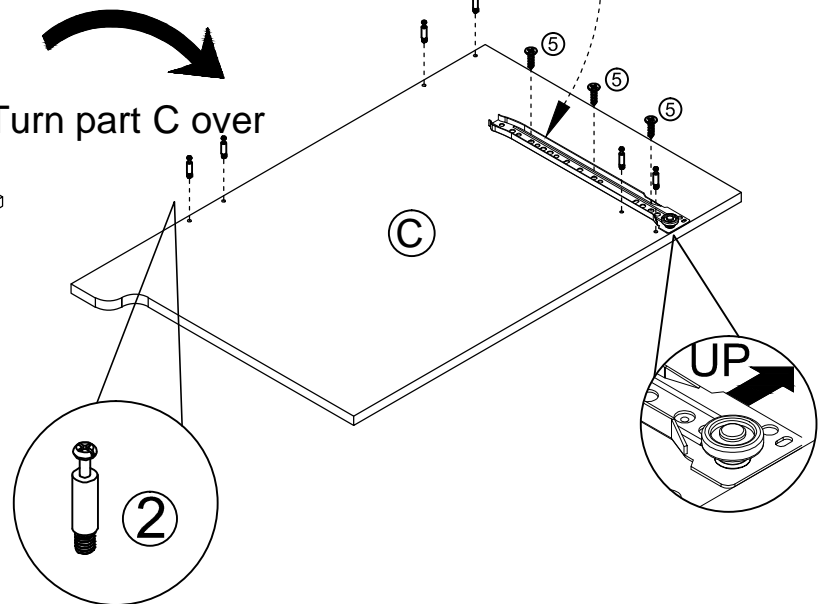
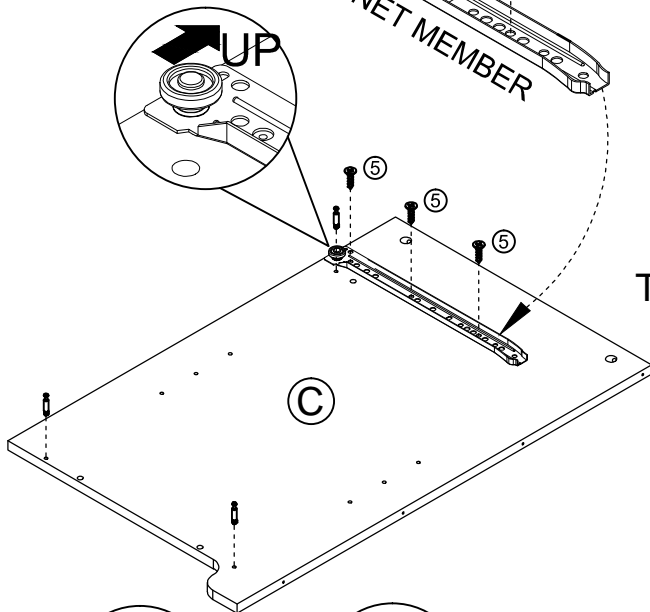


Proper orientation of CAM LOCK

STEP4

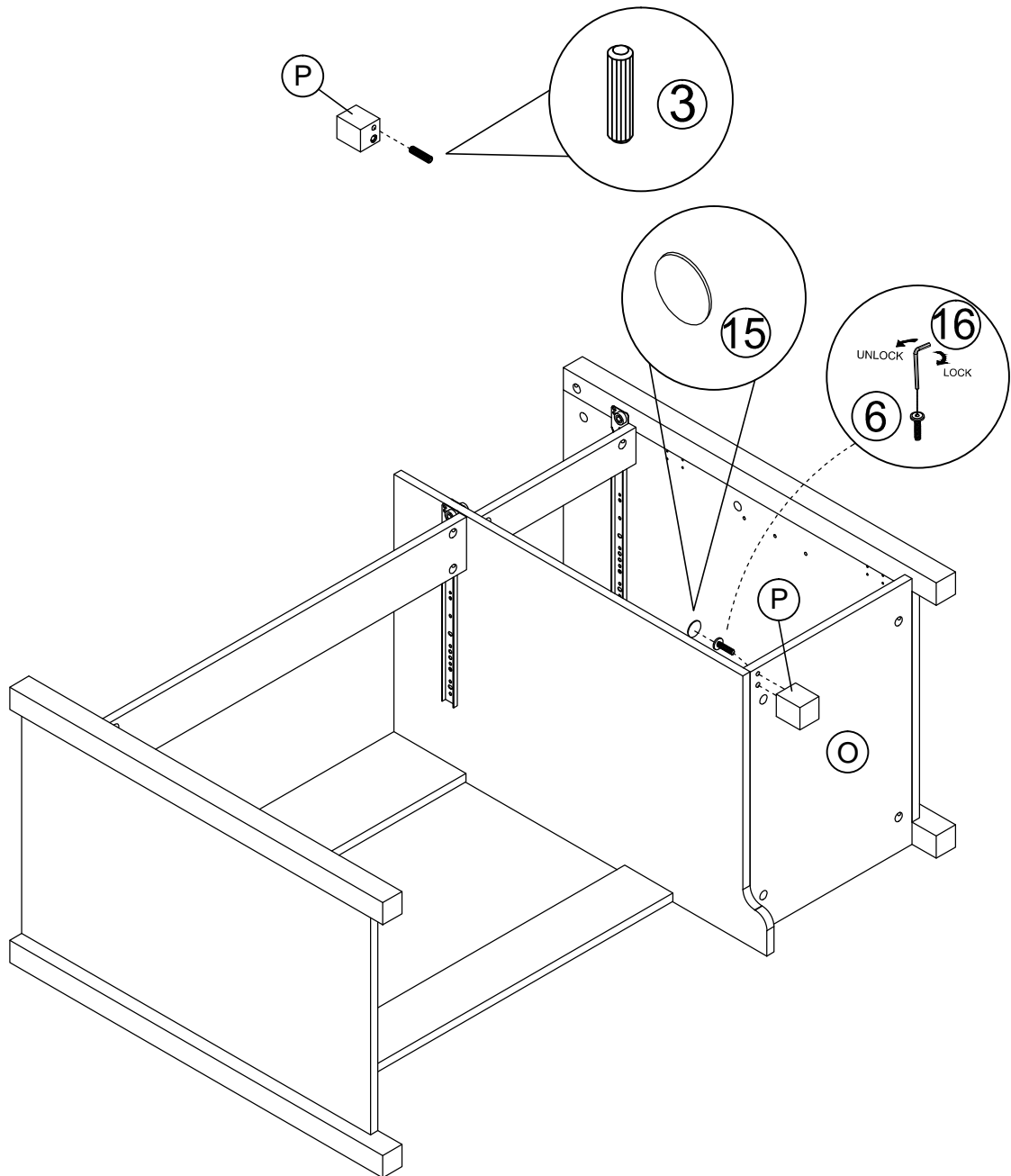
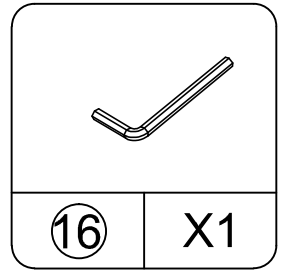
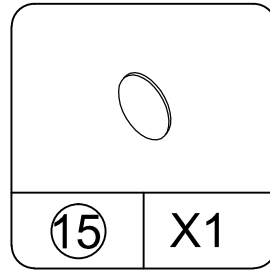
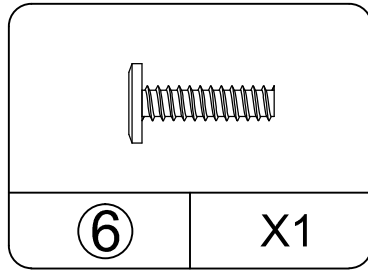
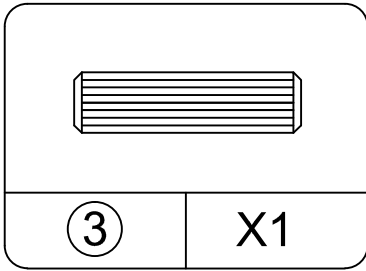


Turn part C over

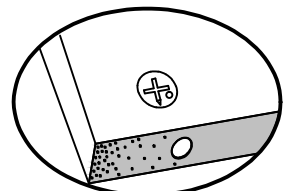
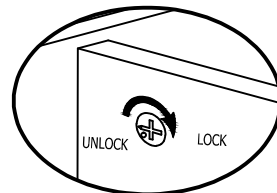
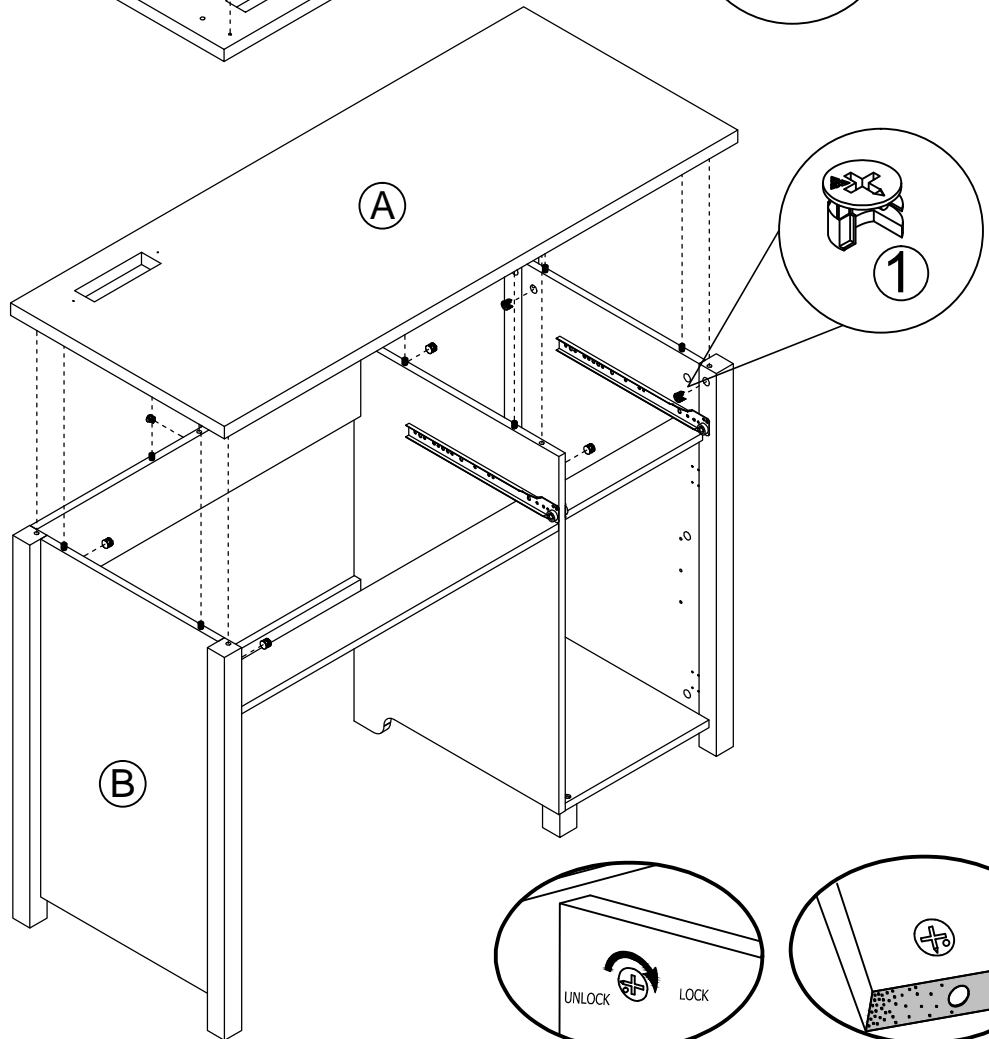
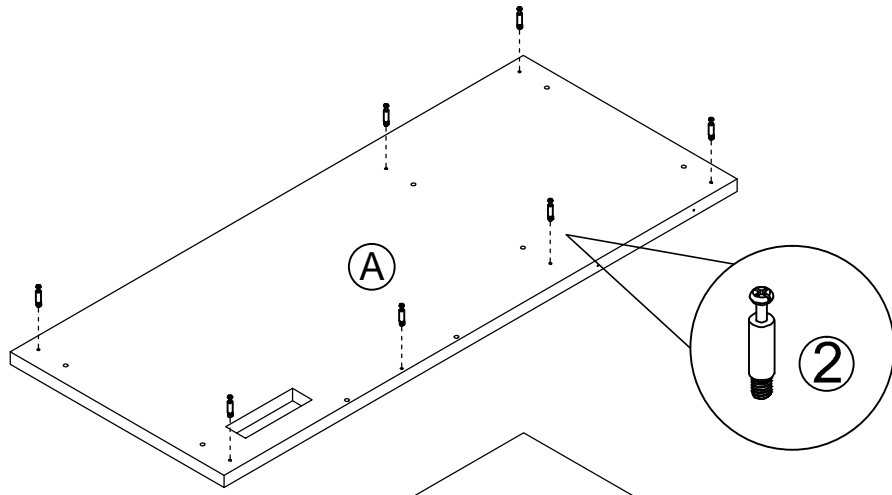
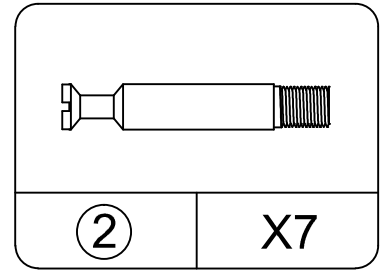
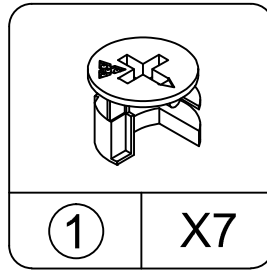
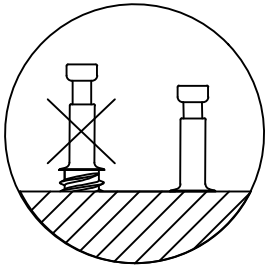
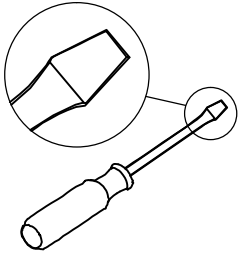
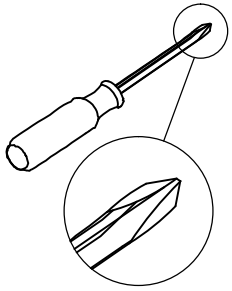


Please make sure that the screw is VERTICAL so as not to affect the sliding of the drawer.

STEP 6

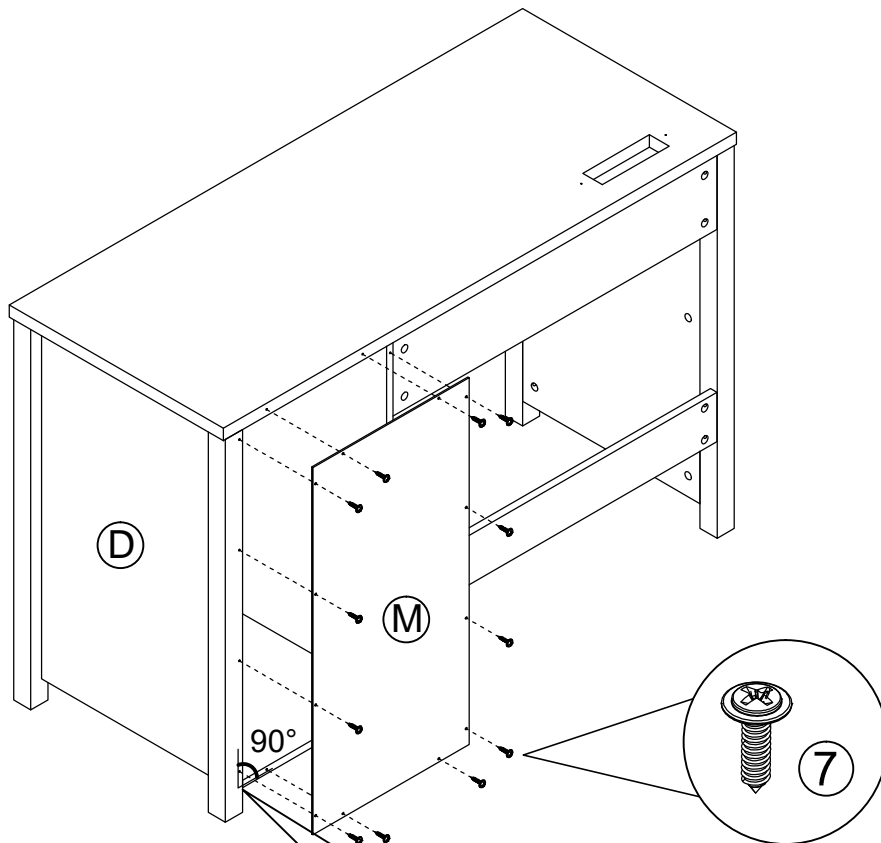
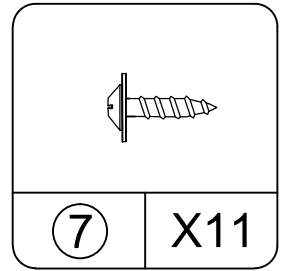
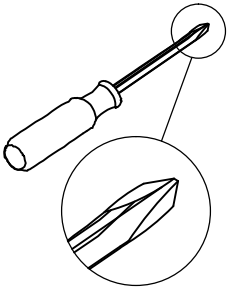


STEP 7



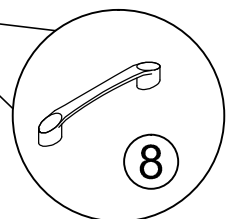
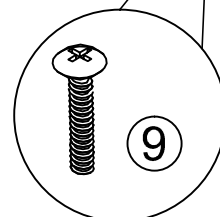
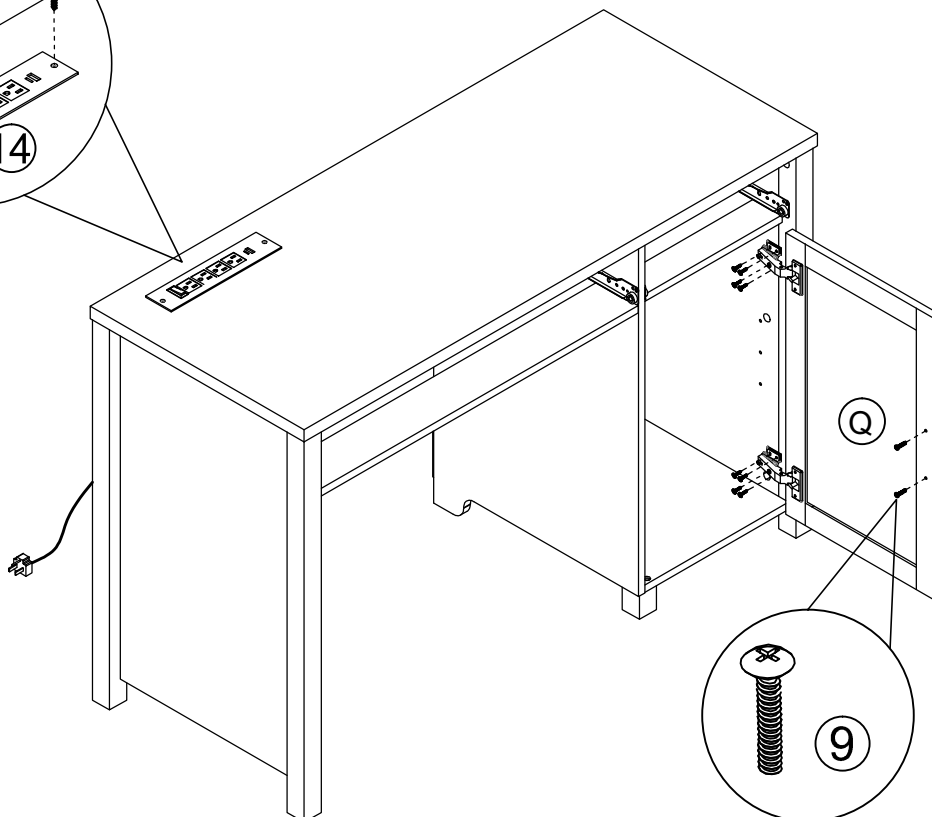
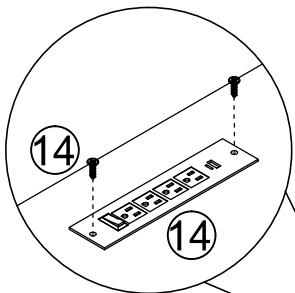
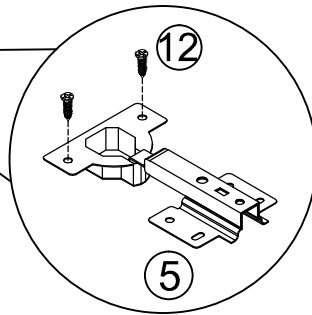
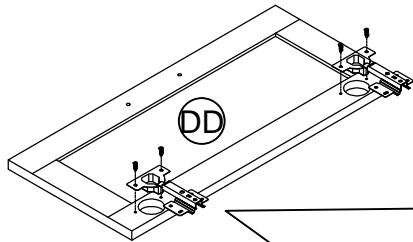
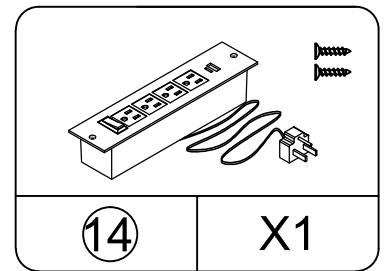
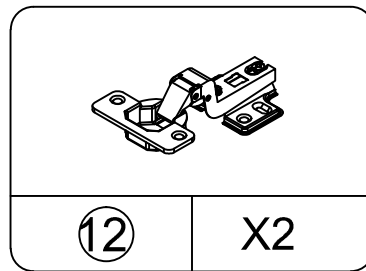
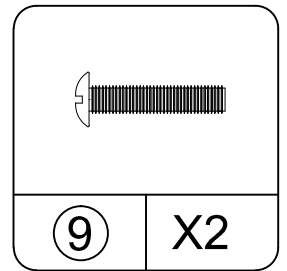
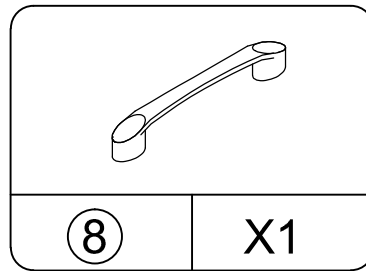
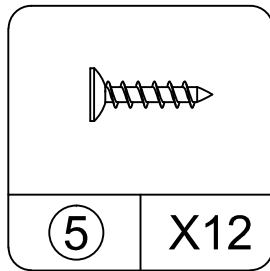
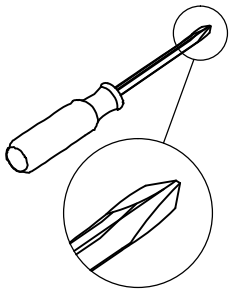
Proper orientation of CAM LOCK

STEP8

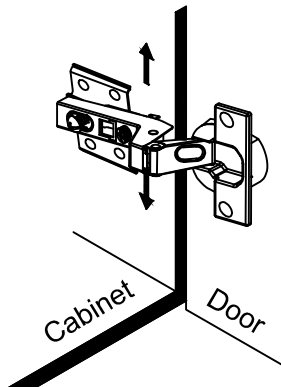
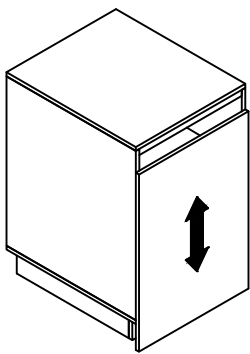
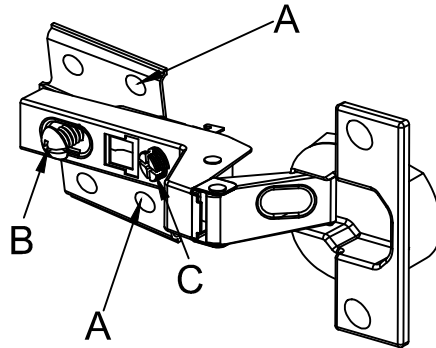


Before attaching the back panel, be sure that the unit is at 90°
Avant d'attacher le panneau arrière, assurez-vous que l'unité est à 90°
Antes de fijar el panel posterior, asegúrese de que la unidad esté a 90°

STEP 9

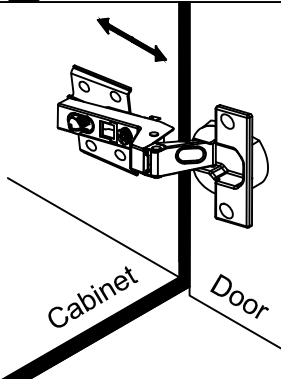
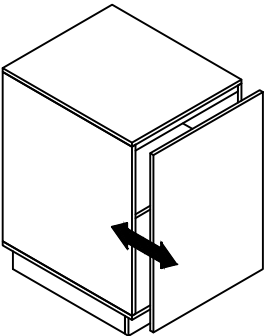


STEP10



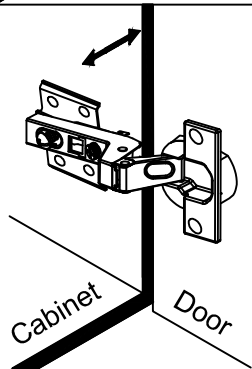
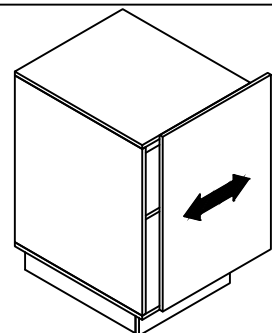
To adjust the vertical height.

Loosen the four screws "A" on both hinges. Two of them are usually in slotted holes which allows you to adjust up or down by a few mm. Then tighten back up.



To adjust depth.

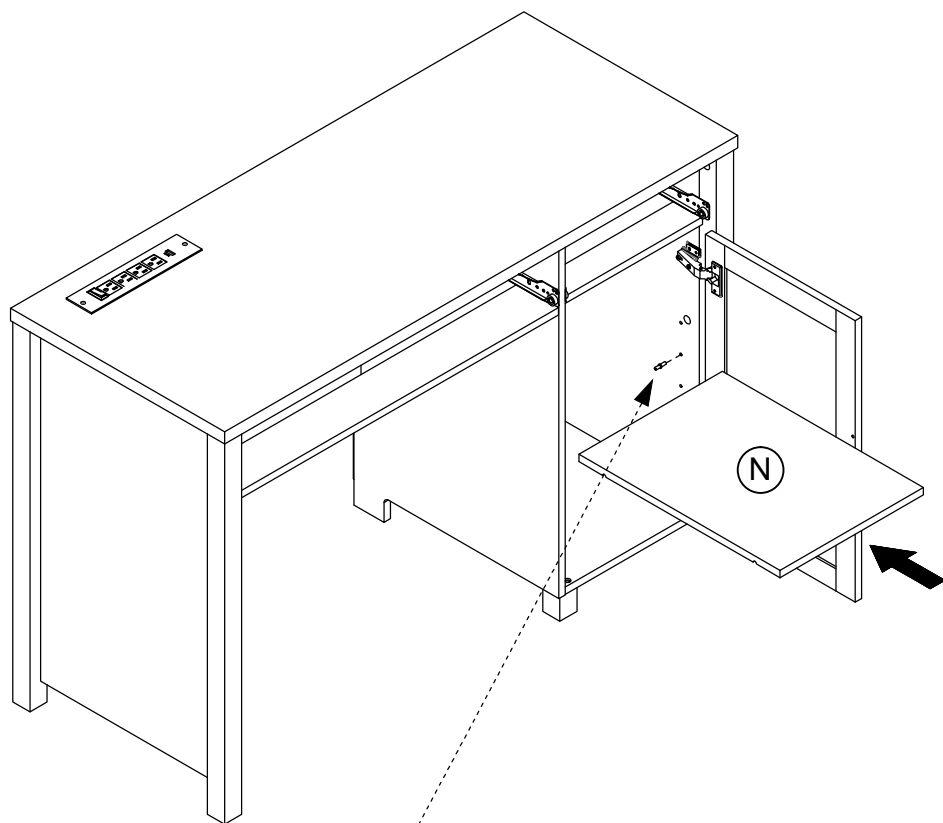
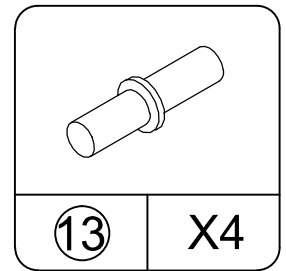
Loosen screw "B" and adjust door, if the door can not be adjusted, please loosen screw "C", then try again. Tighten screw "B" and "C".



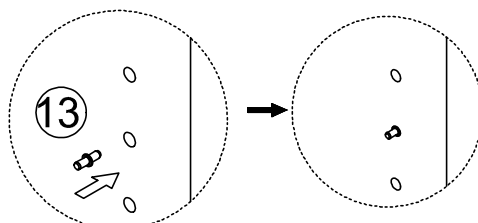
To adjust side ways.

Turning the screw "C" on BOTH hinges on each door.

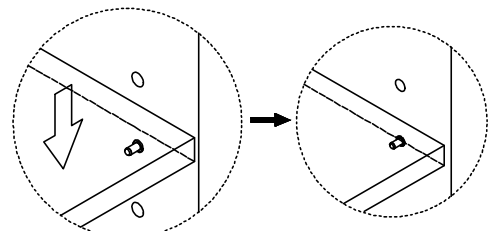
STEP 11



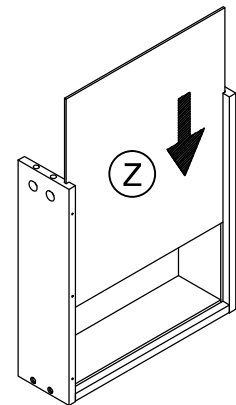
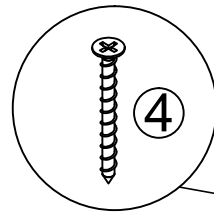
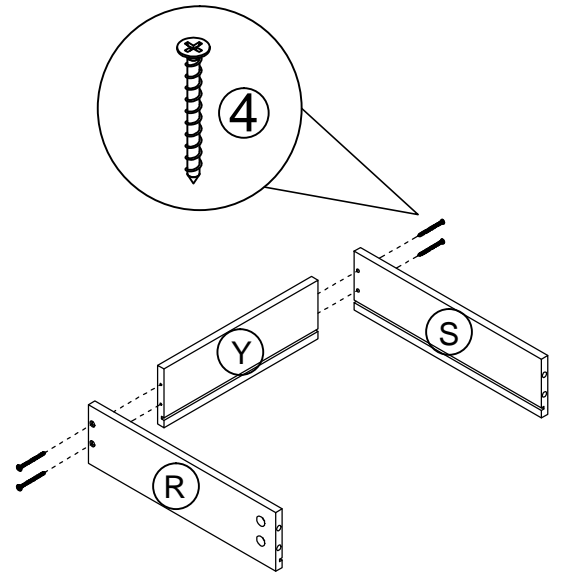
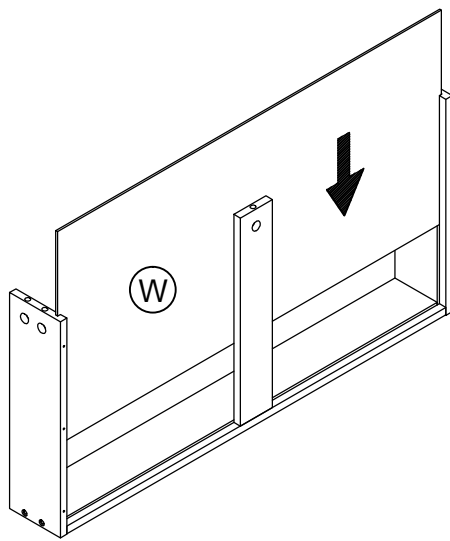
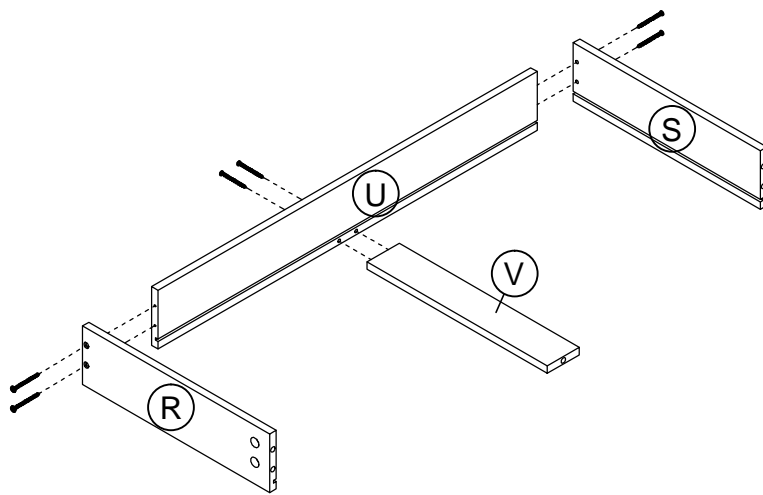
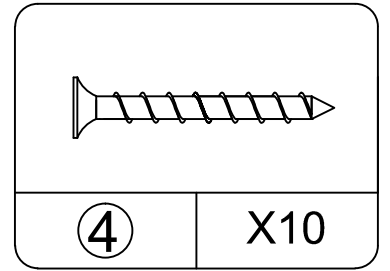
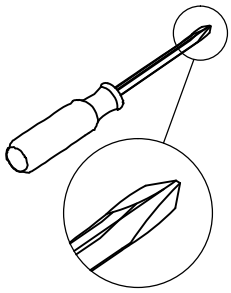
Step 1
Select the desired height
and put it in



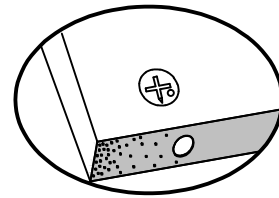
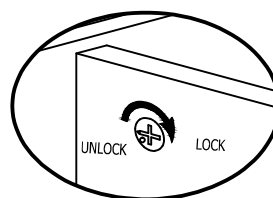
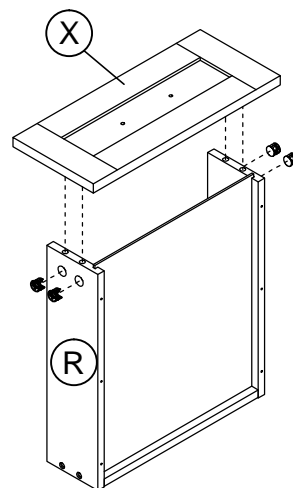
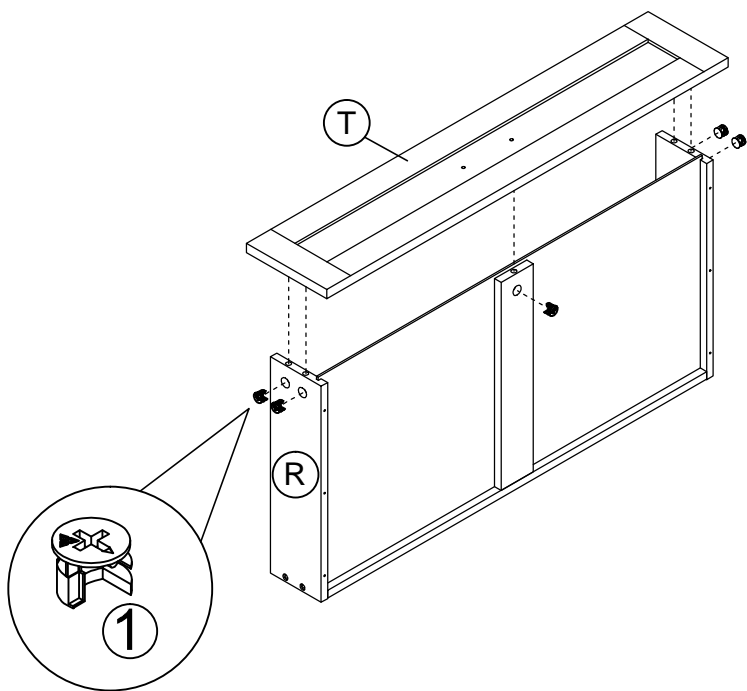
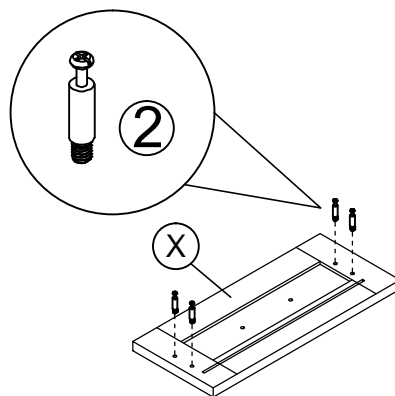
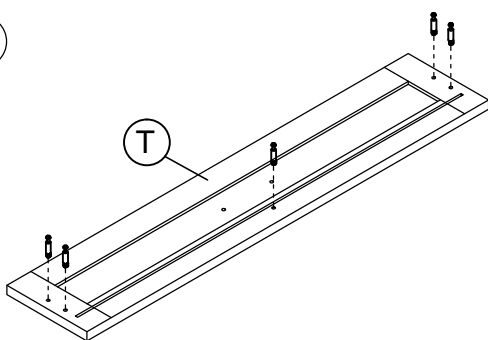
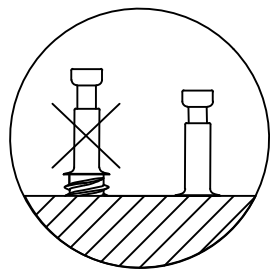
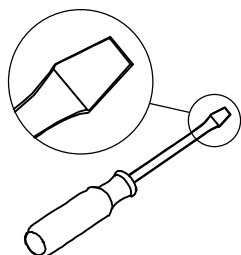
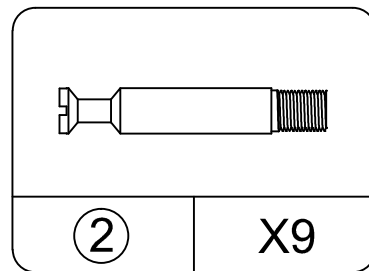
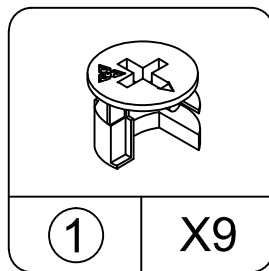
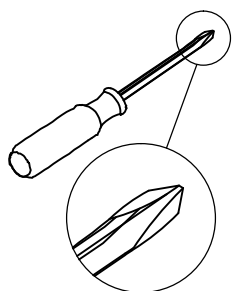
Step 2
Aim the board gaps down



STEP12

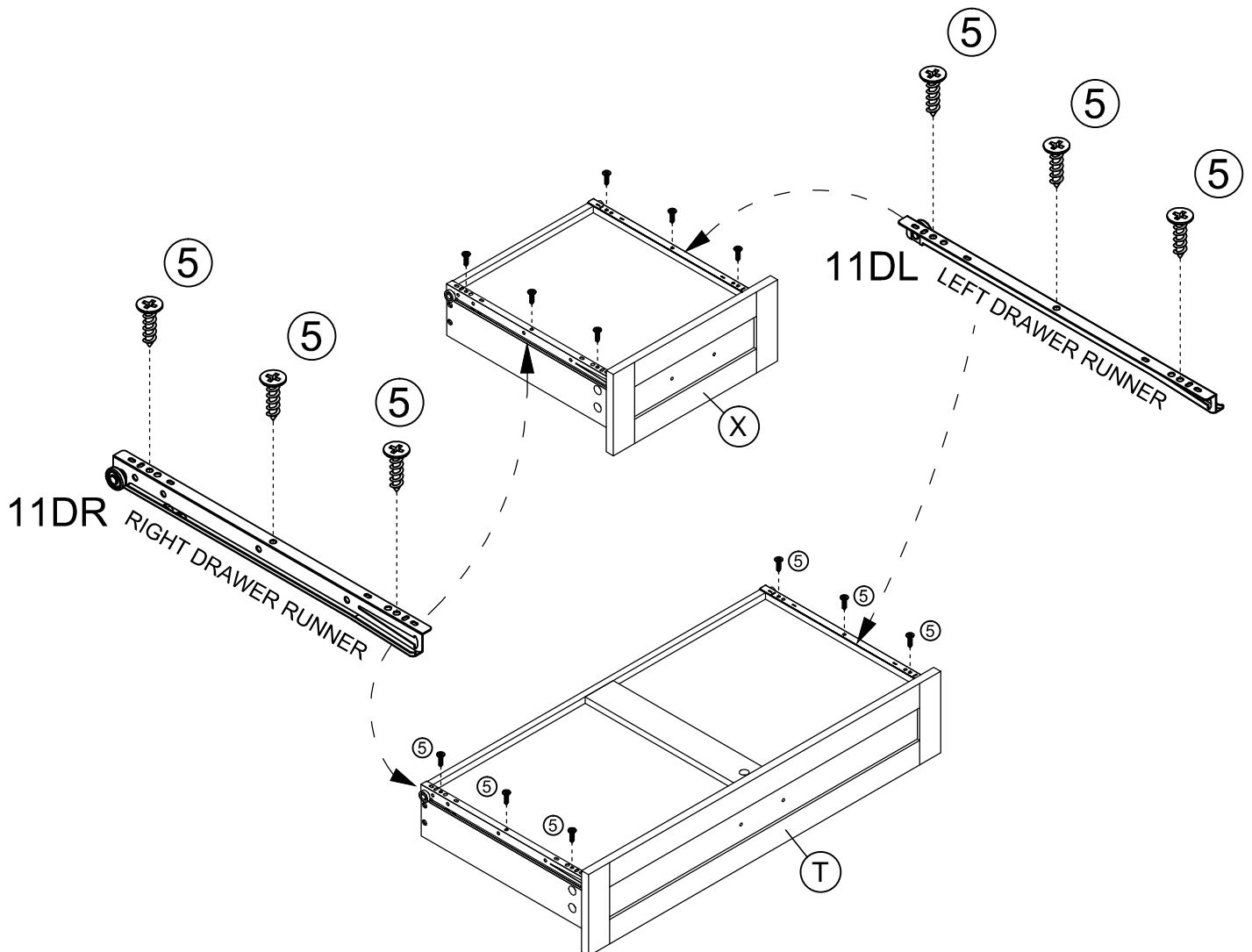
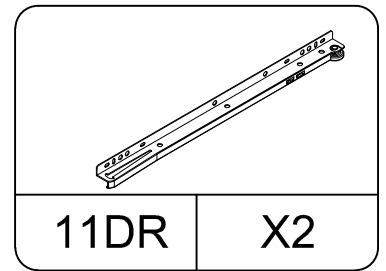
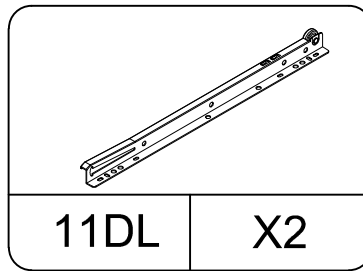
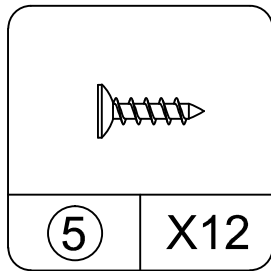
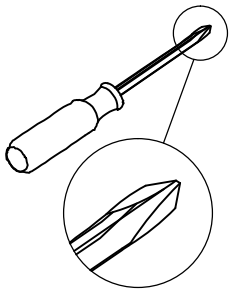


STEP13

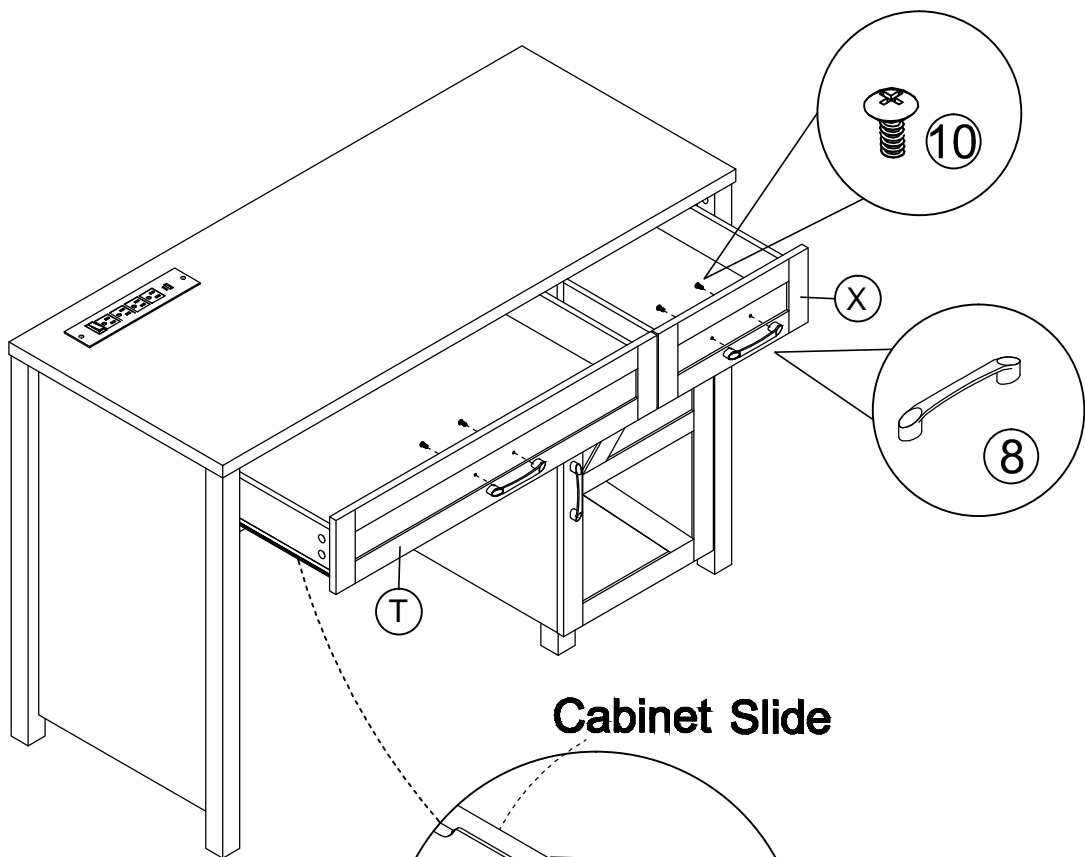
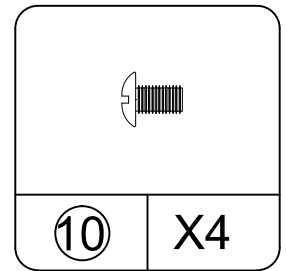
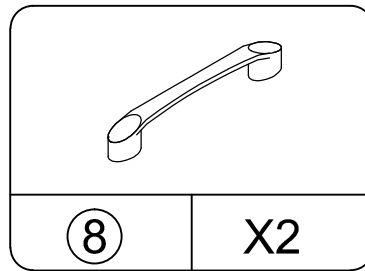
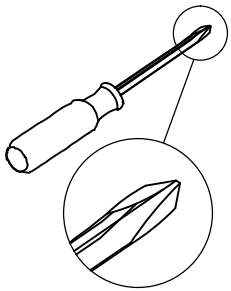


Proper orientation of CAM LOCK

STEP14



STEP15



Cabinet Slide

Drawer Slide