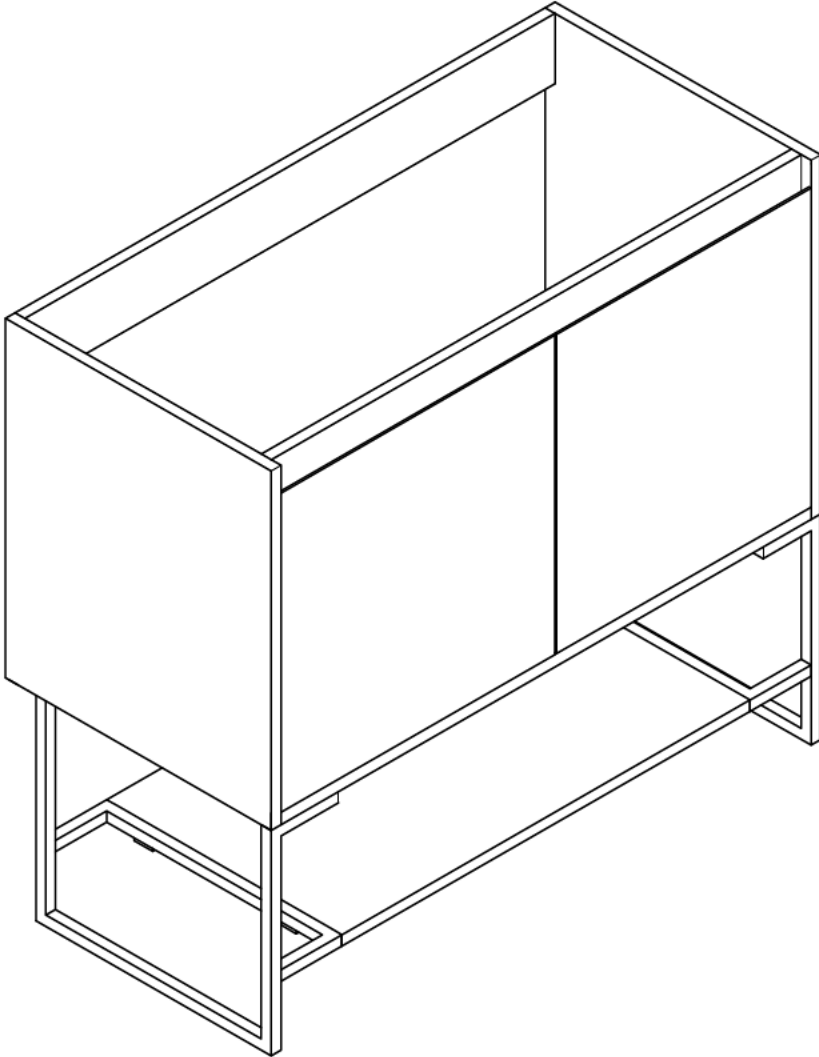
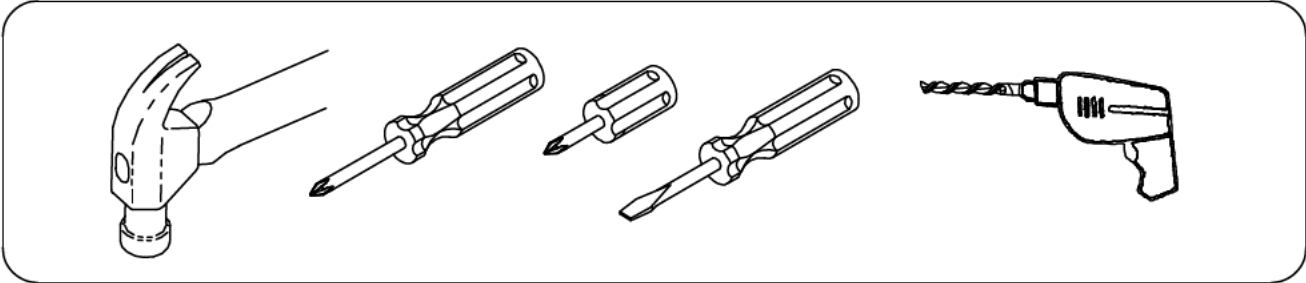




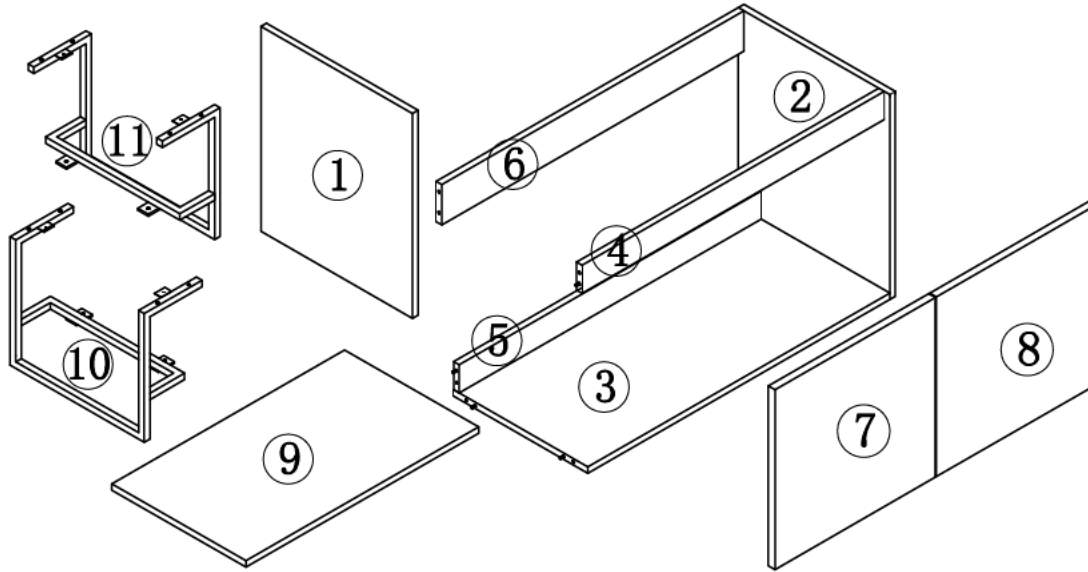
DIMENSIONS



YOU MAY NEED (NOT SUPPLY)






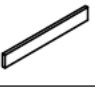
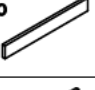

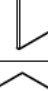




ASSEMBLY DIAGRAM









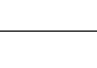
PARTS LIST

PARTS LIST

NO	DESCRIPTION	QTY	NO	DESCRIPTION	QTY
①	Left side panel 	1	⑪	Right Iron frame 	1
②	Right side panel 	1			
③	Bottom panel 	1			
④	front pull-up 	1			
⑤	rear drop down 	1			
⑥	rear pull-up bar 	1			
⑦	Left door panel 	1			
⑧	Right door panel 	1			
⑨	lower board 	1			
⑩	Left iron frame 	1			

PARTS LIST


HARDWARE LIST

NO	DESCRIPTION	QTY	NO	DESCRIPTION	QTY
A	Three-In-one eccentric wheel 	10			
B	Three-In-one connecting rod 	10			
C	Three-in-one sticker 	10			
D	8*40mm wood dowel pins 	10			
E	Door hinge 	4			
F	4*16mm screw 	28			
G	4*30mm screw 	8			

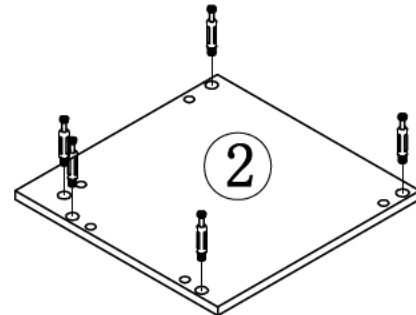
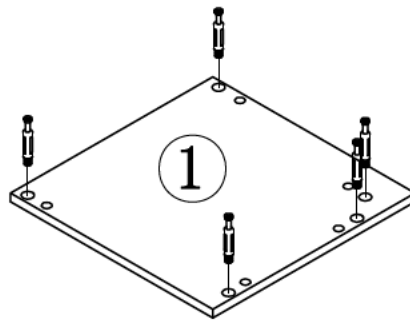
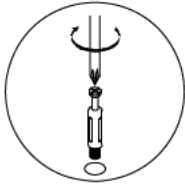
CAUTION:

Please confirm the parts list before installation

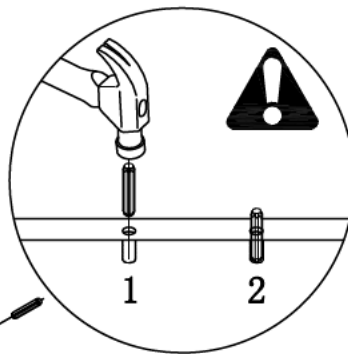
STEP 1

HARDWARE LIST	
Three-in-one connecting rod B 10PCS	

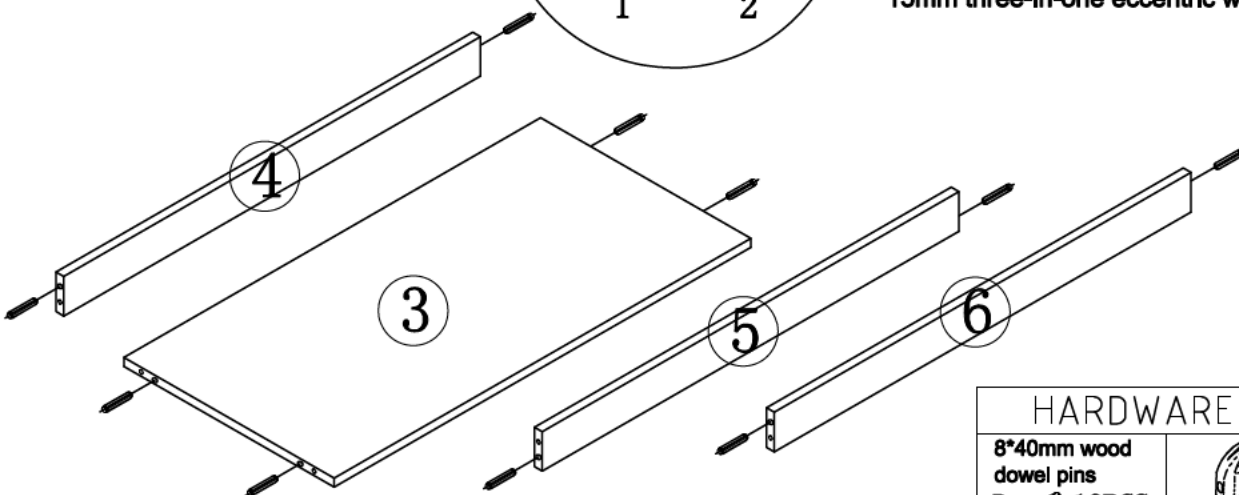
1. Put the three-in-one connecting rod in the 10mm hole of the following panels and tighten them with a cross screwdriver or an electric tool.




STEP 2

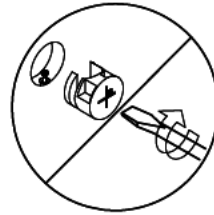
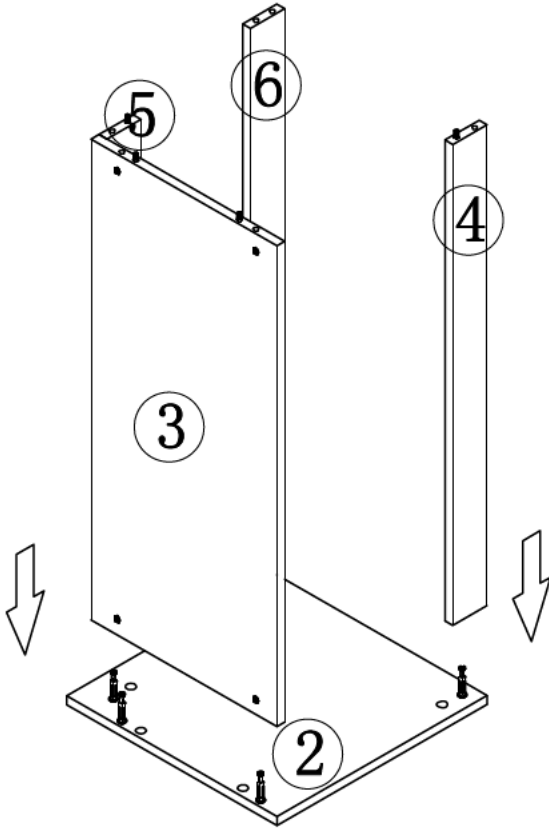


1. Strike the 08*40mm wood dowel pin into the 8mm hole of the above panels with an iron hammer. Please note that the hole of the three-in-one connecting rod should also be 8mm. The hole of the three-in-one connecting rod connects to the hole of 15mm three-in-one eccentric wheel.

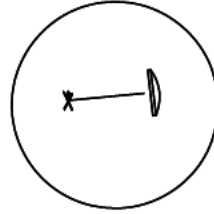


HARDWARE LIST	
8*40mm wood dowel pins D 10PCS	

STEP 3





1. Connect No. 3-4-5-6 panel to No.2 panel tightly with the three-in-one eccentric wheel.



2. Cover the mounting hole of the eccentric wheel with a three-in-one sticker.

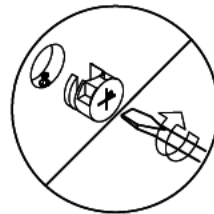
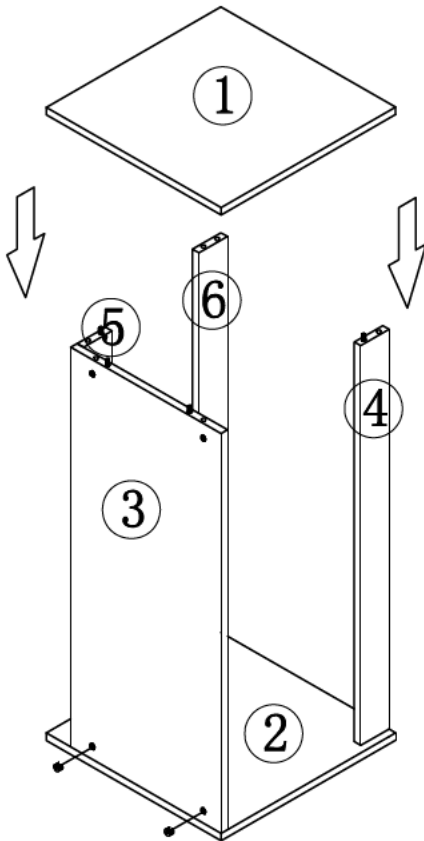
HARDWARE LIST

Three-in-one eccentric wheel
A  5PCS

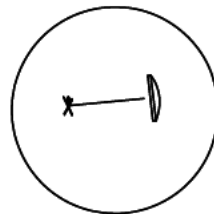
Three-in-one sticker
C  5PCS



STEP 4





1. Connect No. 1 panel to No. 3-4-5-6panel tightly with the three-in-one eccentric wheel.



2. Cover the mounting hole of the eccentric wheel with a three-in-one sticker.

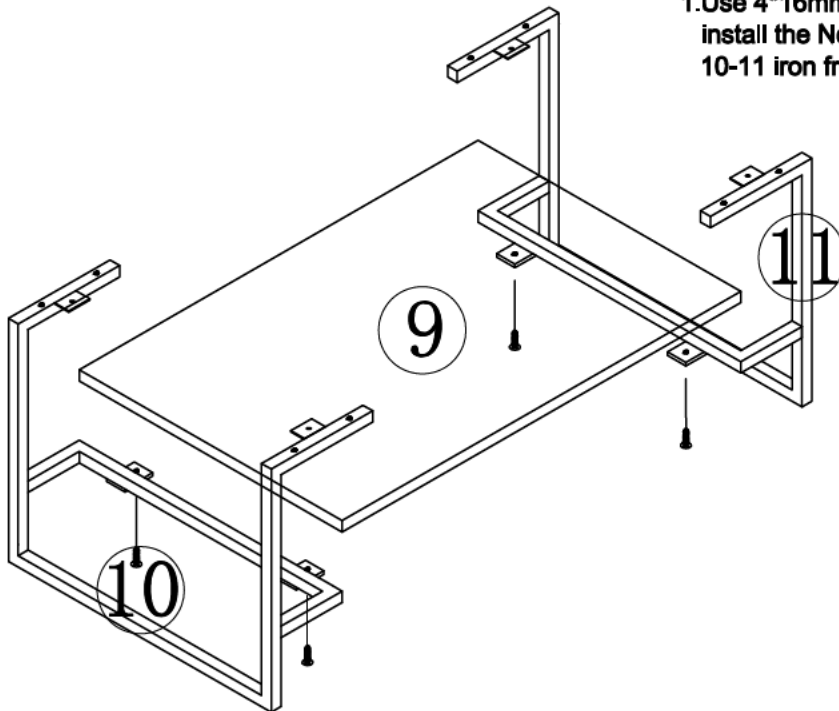
HARDWARE LIST

Three-in-one eccentric wheel
A  5PCS



Three-in-one sticker
C  5PCS



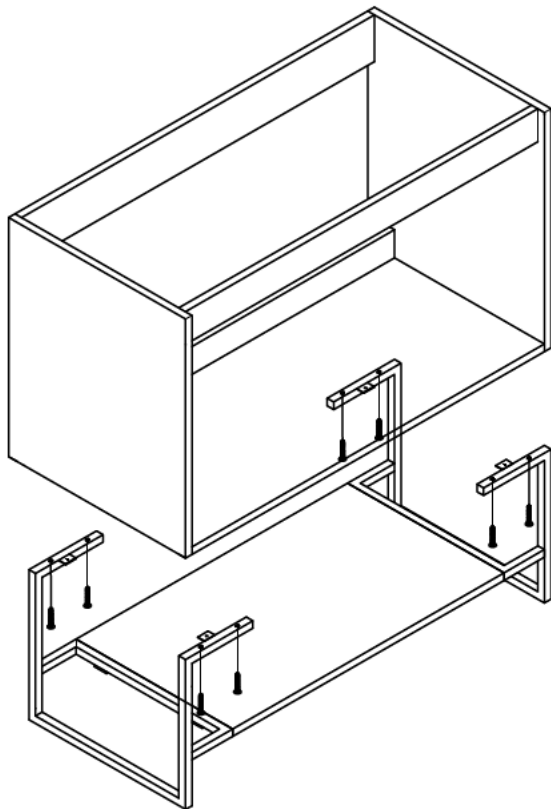
STEP 5





1. Use 4*16mm self-tapping screws to install the No. 9 lower board to the No. 10-11 iron frame feet.

HARDWARE LIST	
4*16mm screw	
F  4PCS	

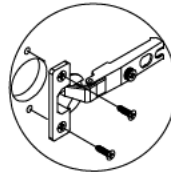
STEP 6



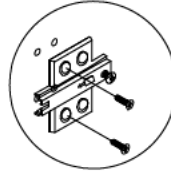
1. Use 4*30mm self-tapping screws to install the cabinet to the iron frame feet and fix it.

HARDWARE LIST	
4*30mm screw	
G  8PCS	

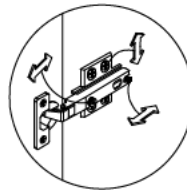
STEP 7



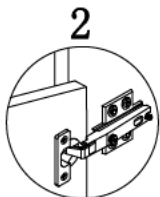
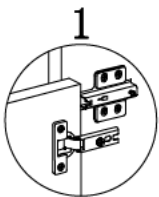
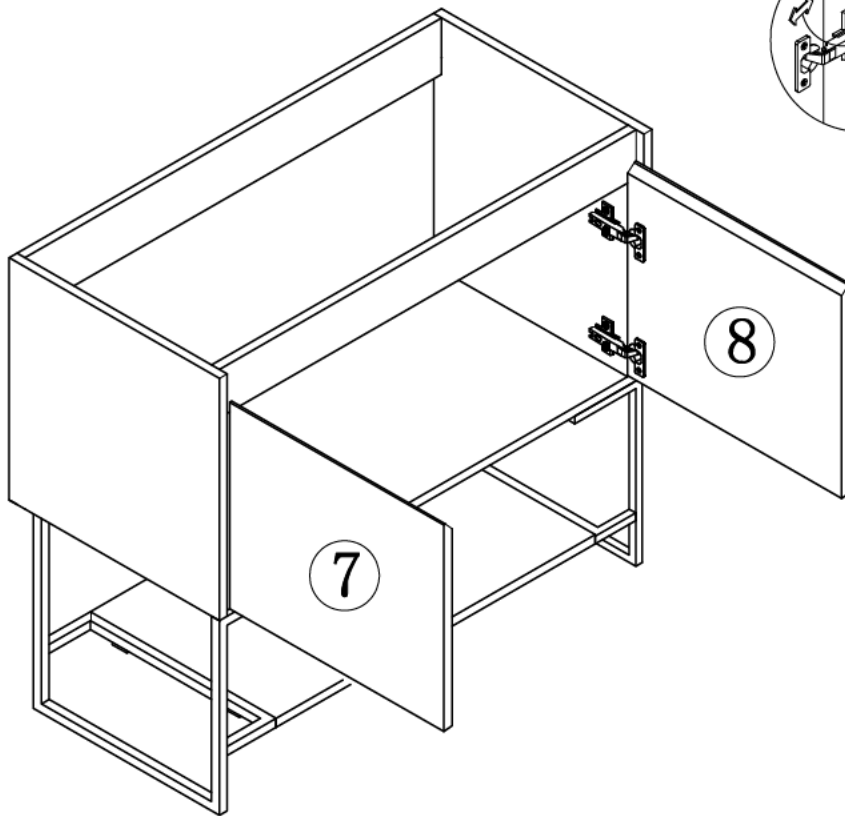
1. Install the hinge cup to the door panel with 4*16mm screws.



2. Install the hinge to the side panel with 4*16mm screws.



4. Adjust the door panel clearance.



3. Install the hinge cup on the door panel to the hinge of the side panel.

HARDWARE LIST

4*16mm screw

Door hinge

F  24PCS

E  4PCS





Choking hazard-Small Parts : This unit contains small parts, not for children under 3 years.

Tip-over hazard : Secure finished unit to wall stud using L-Bracket and wall screw (#10*1.5"W/out provided). If a wall stud is not neccessible , Consault your local hardware store for appropriate mounting hardware . Failure to properly install will result in product collapse or tip-over. Serious injury can occur .