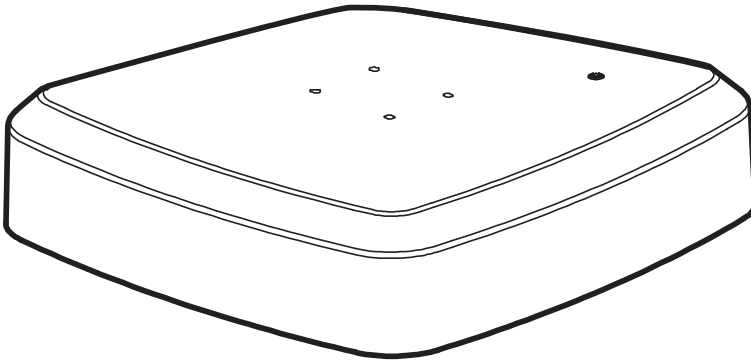


Water Tank Base

Assembly and Operation Manual

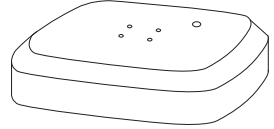


Check List

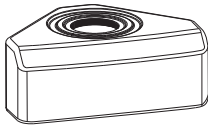
A ×1



D ×1



B ×4



E ×1



C ×4

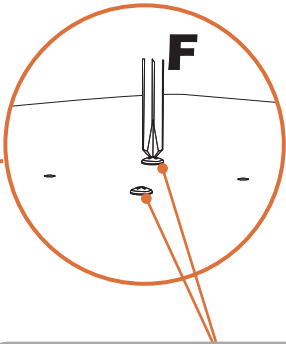
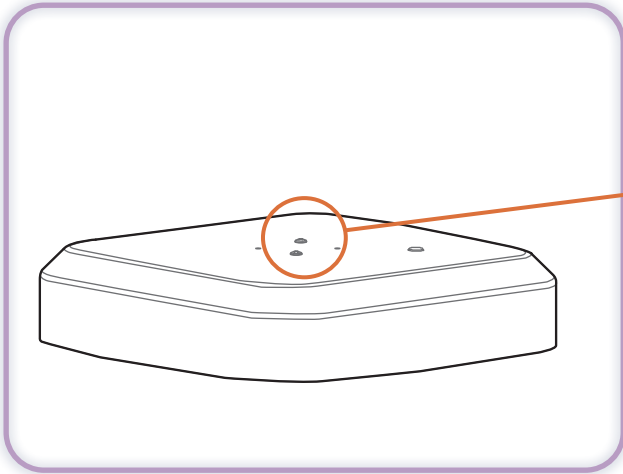


F ×1

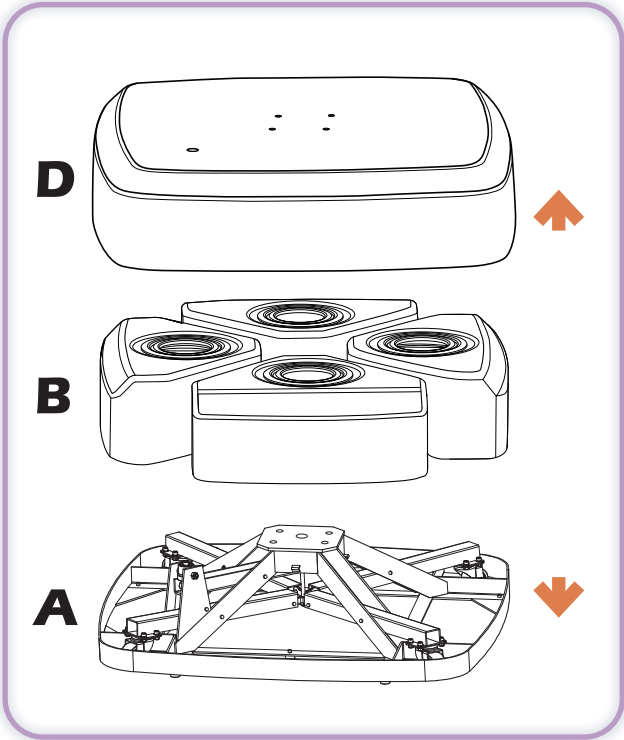


Water Tank Base Assembly

1

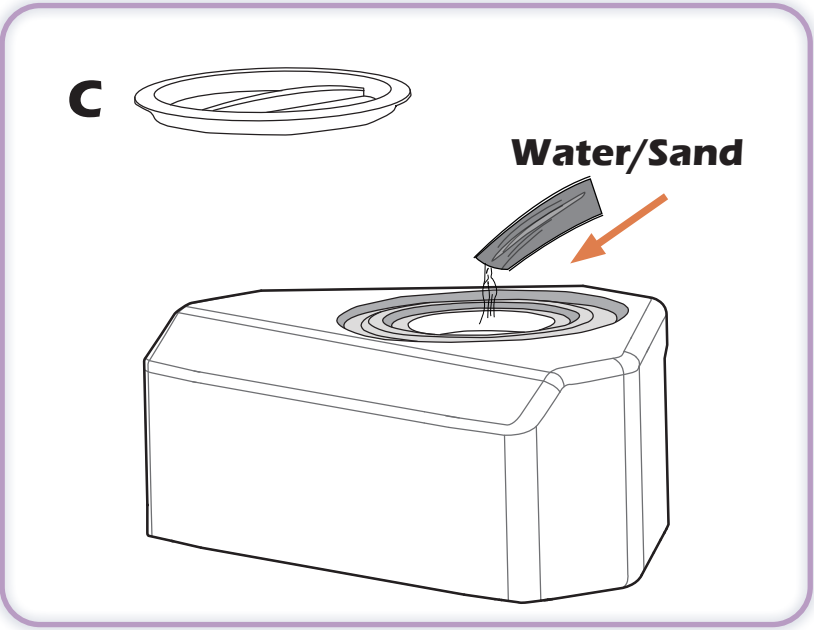
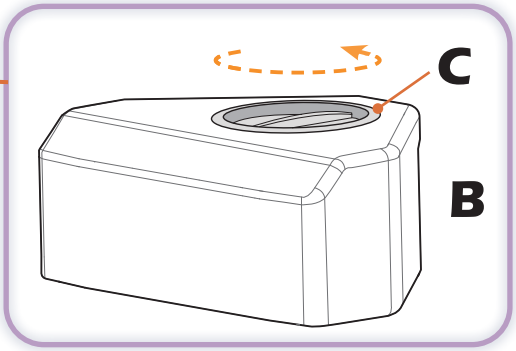
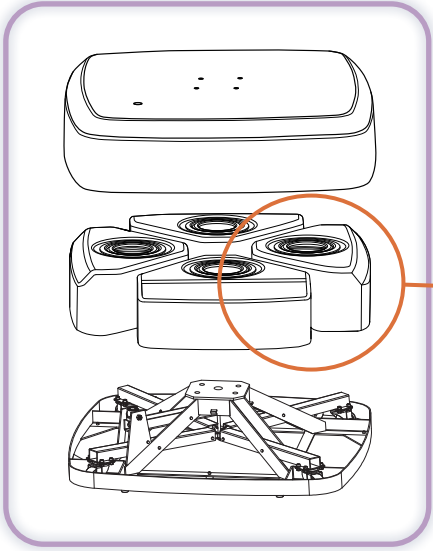


Only have two bolts , there are 4 bolts included in umbrella.



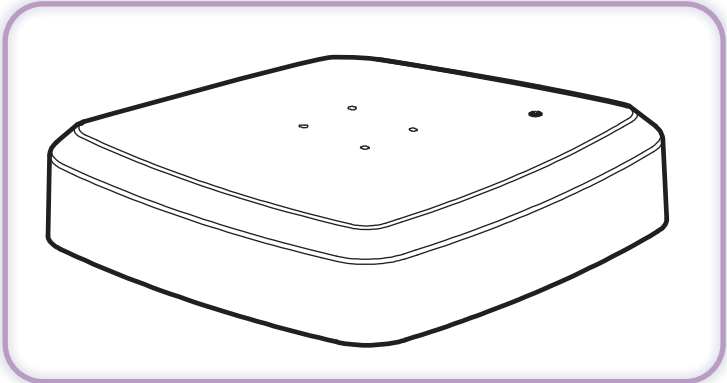
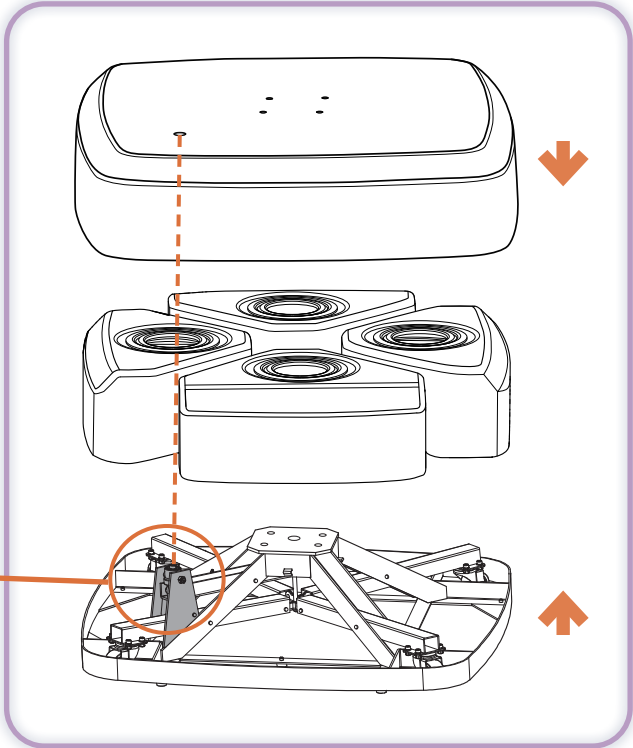
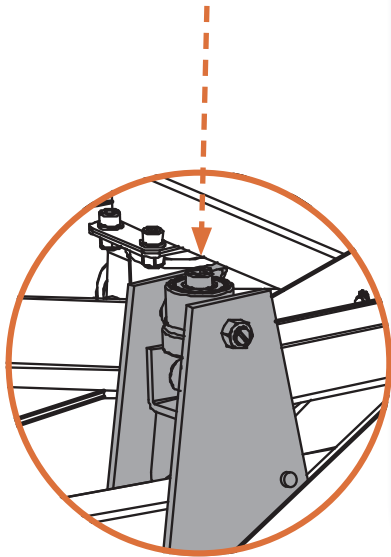
1

Water Tank Base Assembly



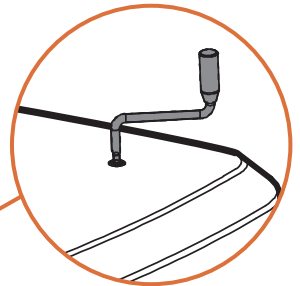
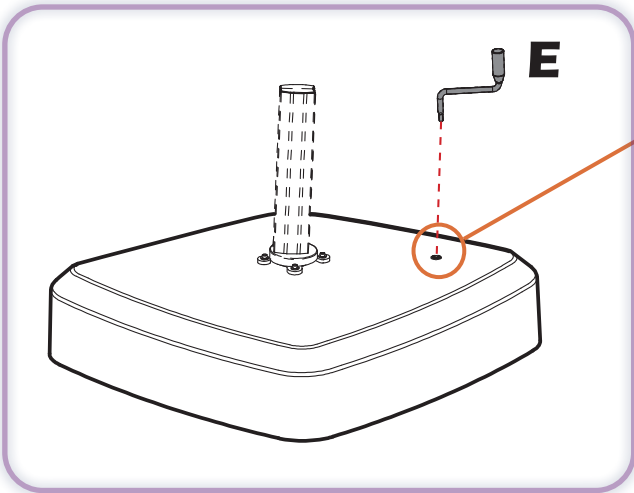
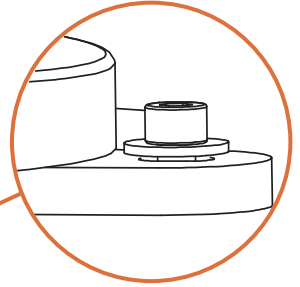
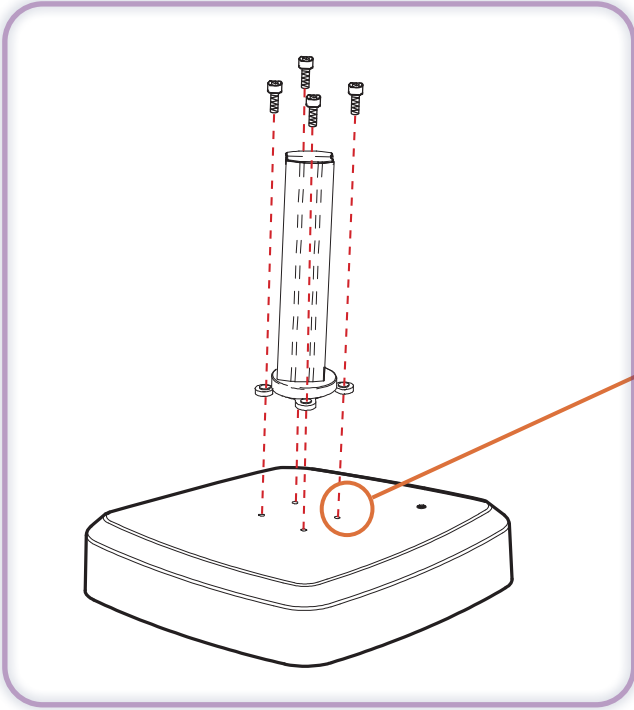
Water Tank Base Assembly

1

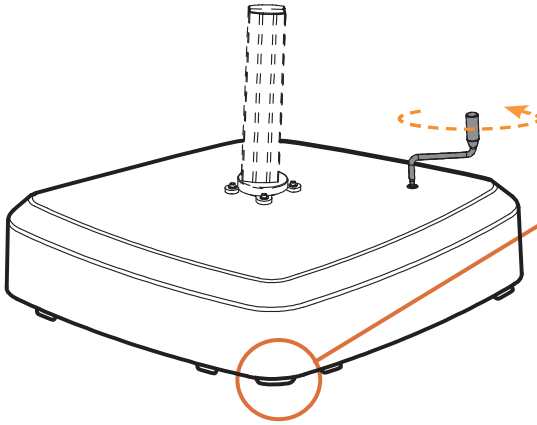


2

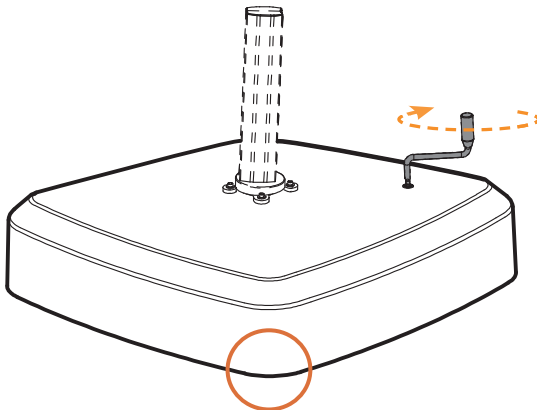
Water Tank Base Operation



Moveable mode



Stayed mode



WARRANTY

Tank

Tank are warranted to be free from defects in materials and workmanship for a period of one year. Damage to tank or welds due to improper assembly and subfreezing temperatures is not covered.

Finish

The finish is warranted against peeling, cracking, or blistering for a period of one year, provided the unit has not been scratched or abraded. Scratches and chips resulting from abnormal wear and tear are not covered. Fading resulting from exposure to chemical is not covered.

Note

All operation should follow the instruction manual.

Exclusions

Failure caused by inappropriate use; Failure caused by neglect of reasonable and necessary care; Acts of nature (including but not limited to wind, hurricanes, tornadoes, and storms) are not covered by this warranty.



*Purple Leaf Inc.
1820 E Locust St, Ontario
CA, 91761, US
umbrella5@purpleleafgarden.com
©Copyright 2016-2023 Purple Leaf Inc.
All Rights Reserved*