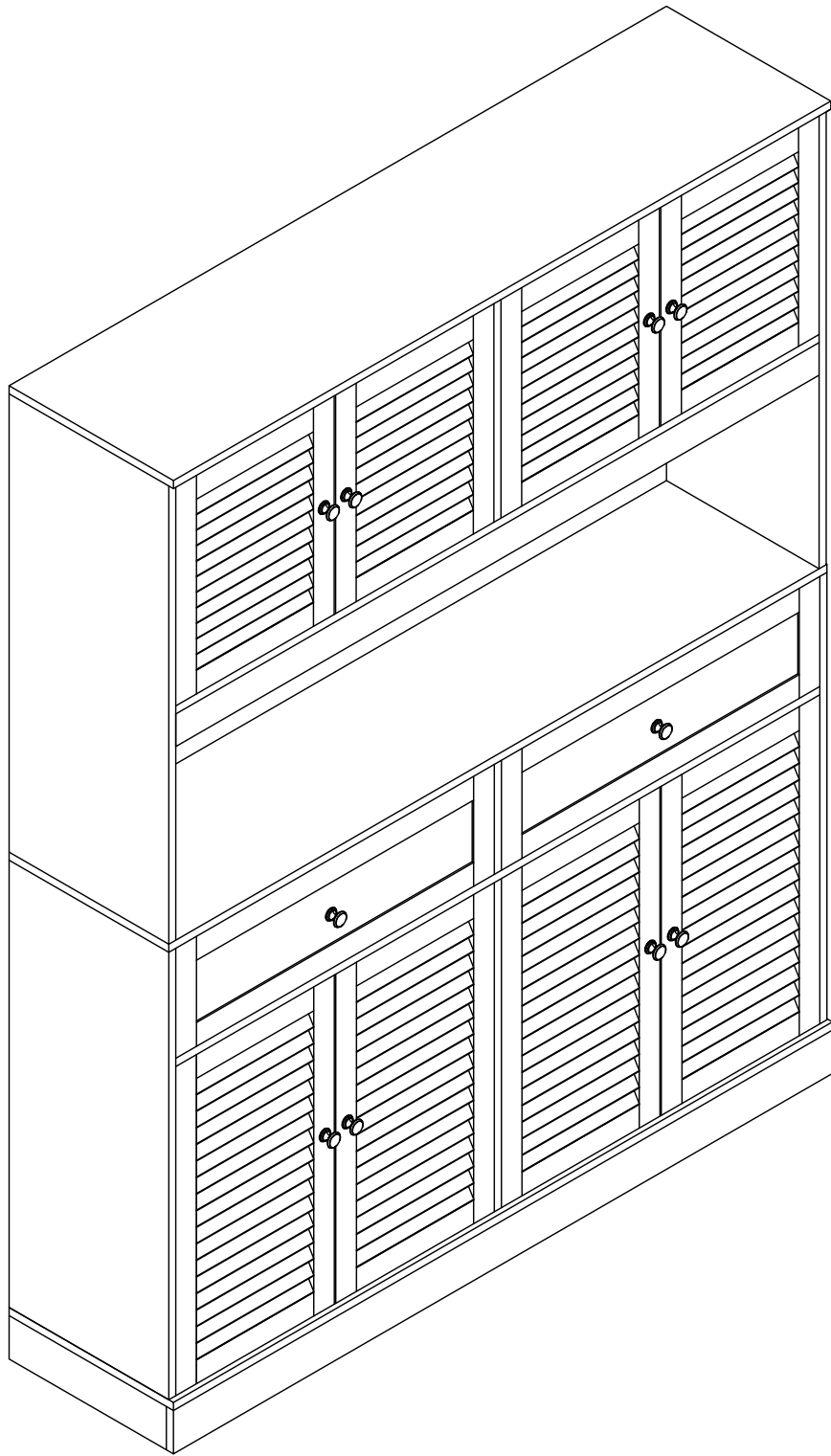


Instruction Manual



EN

Thank you for purchase on our products. Please contact us if you have difficulty with assembly or need replacement parts. Our customer service is here to assist you. Please attach your User Name or Order ID so that we can assist you better.

WARNING

Serious or fatal injury may occur from unexpected assembly or use.

1. During the assembly process, keep all parts away from babies or children.
2. Always securely fix this product to the wall. Make sure the wall area to be drilled is free from hidden electrical wires, water and gas pipes.
3. Use of tip-over restraints may only reduce, but not eliminate the risk of tip-over.
4. Unless specially designed to accommodate, do not set heavy objects on top of this product.
5. Place the heaviest items on the lowest shelf.
6. Never allow children to climb or bang on drawers, doors or shelves.

DE

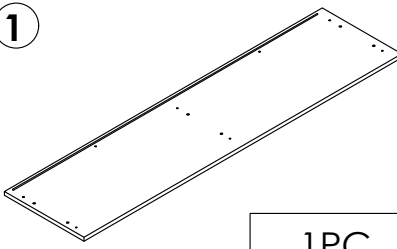
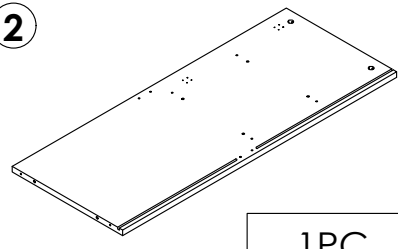
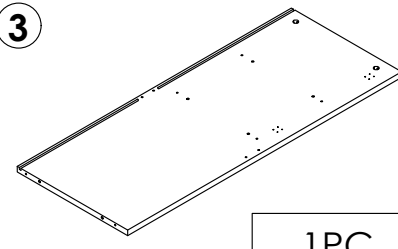
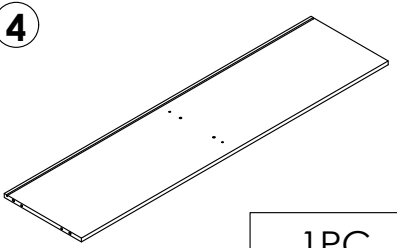
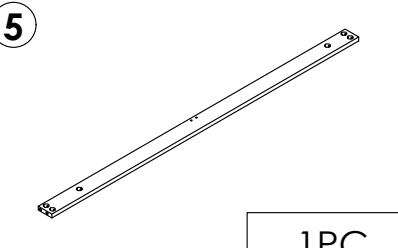
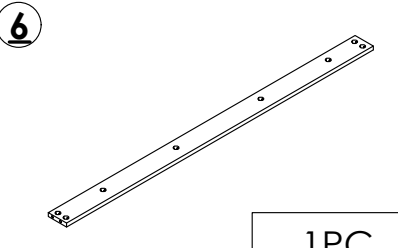
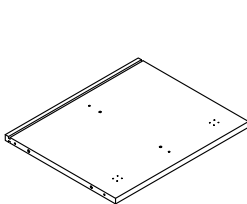
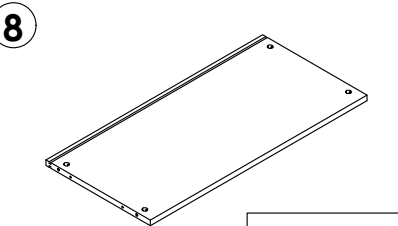
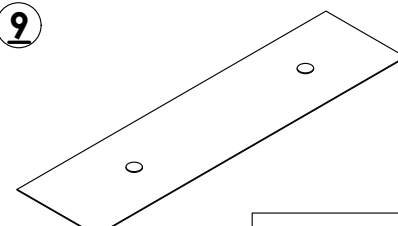
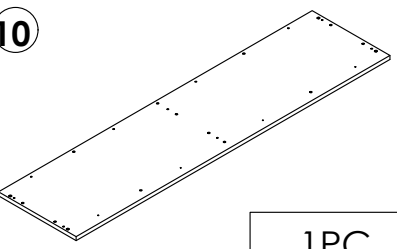
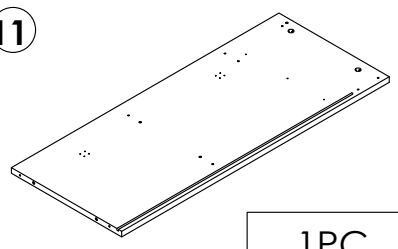
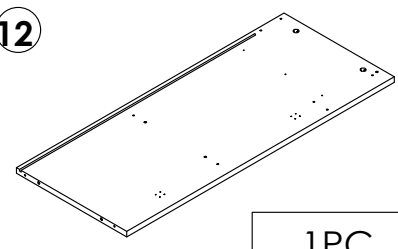
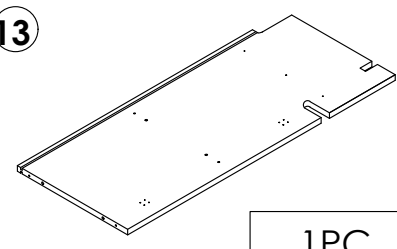
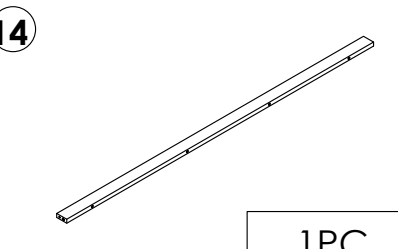
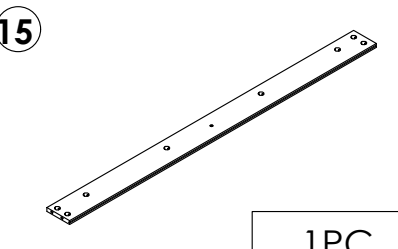
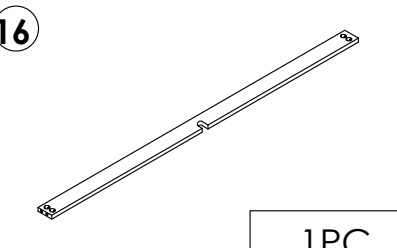
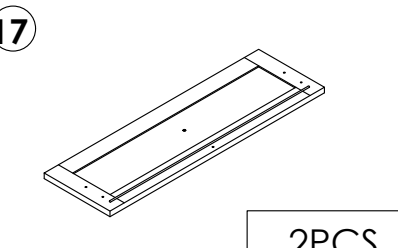
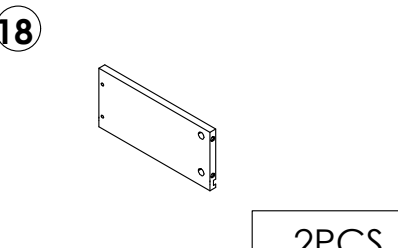
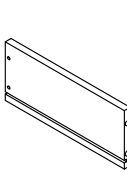
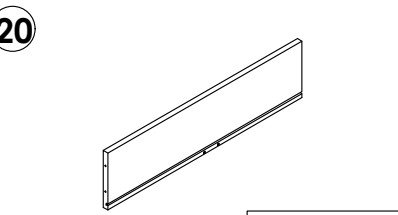
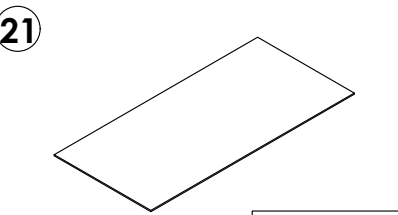
Vielen Dank für Ihren Kauf von uns Produkten. Bitte kontaktieren Sie uns, wenn Sie Probleme mit Montage haben oder Ersatzteile benötigen. Wir Kundenservice ist für Sie da. Bitte geben Sie Ihren Benutzernamen oder Ihre Bestellnummer an, damit wir Sie besser unterstützen können.

WARNUNG

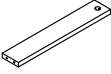
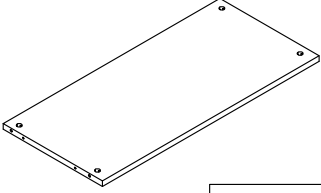
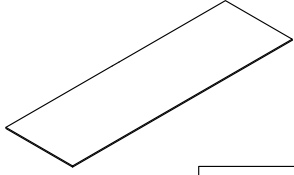
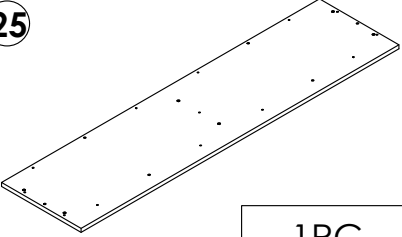
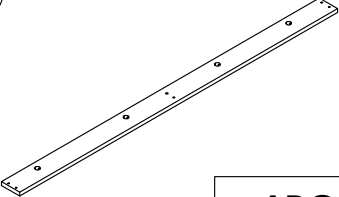
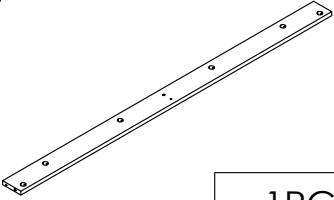
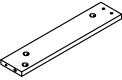
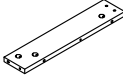
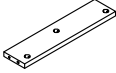
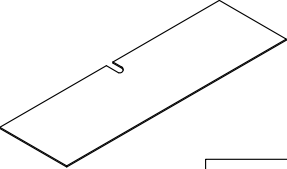
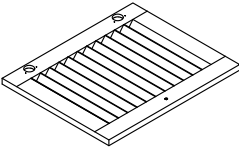
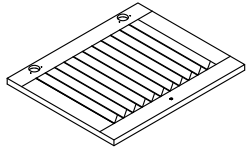
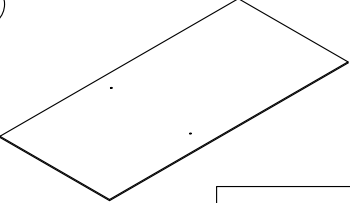
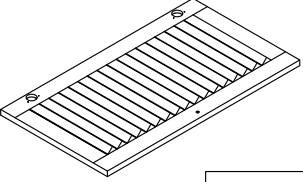
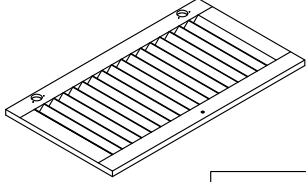
Bei unerwarteter Montage oder Verwendung können schwere oder tödliche Verletzung auftreten.

1. Legen Sie in den Montageprozess alle Teile weg von Babys oder Kindern.
2. Stellen Sie sicher, dass der gebohrte Wandbereich frei von verborgenen Stromkabeln, Wasser- und Gasleitungen ist, wenn Sie dieses Produkt an der Wand befestigen.
3. Die Verwendung von Kippsicherungen kann die Gefahr eines Kippens nur verringern, jedoch nicht beseitigen.
4. Setzen Sie bitte keine schweren Gegenstände auf dieses Produkt, es sei denn, dass das Produkt speziell für die Unterbringung konzipiert wird.
5. Legen Sie bitte die schwersten Gegenstände auf das unterste Regal.
6. Erlauben Sie nie Kindern, auf Schubladen, Türen oder Regale zu klettern oder zu knallen.

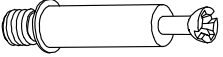
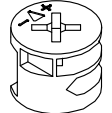


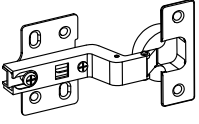

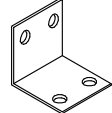



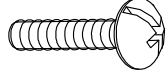
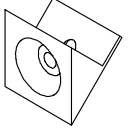
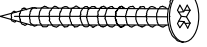
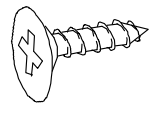

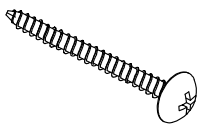
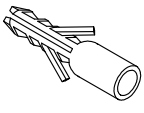
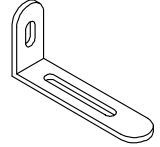


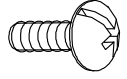

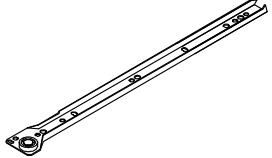
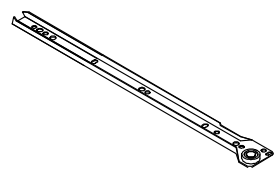
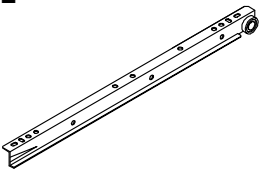
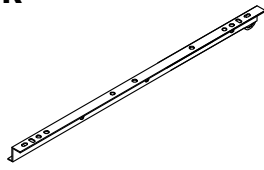
Parts List(EN) / Teile Liste(DE)

<p>①</p>  <p>1PC</p>	<p>②</p>  <p>1PC</p>	<p>③</p>  <p>1PC</p>
<p>④</p>  <p>1PC</p>	<p>⑤</p>  <p>1PC</p>	<p>⑥</p>  <p>1PC</p>
<p>⑦</p>  <p>1PC</p>	<p>⑧</p>  <p>2PCS</p>	<p>⑨</p>  <p>1PC</p>
<p>⑩</p>  <p>1PC</p>	<p>⑪</p>  <p>1PC</p>	<p>⑫</p>  <p>1PC</p>
<p>⑬</p>  <p>1PC</p>	<p>⑭</p>  <p>1PC</p>	<p>⑮</p>  <p>1PC</p>
<p>⑯</p>  <p>1PC</p>	<p>⑰</p>  <p>2PCS</p>	<p>⑱</p>  <p>2PCS</p>
<p>⑲</p>  <p>2PCS</p>	<p>⑳</p>  <p>2PCS</p>	<p>㉑</p>  <p>2PCS</p>

Parts List(EN) / Teile Liste(DE)

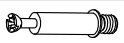
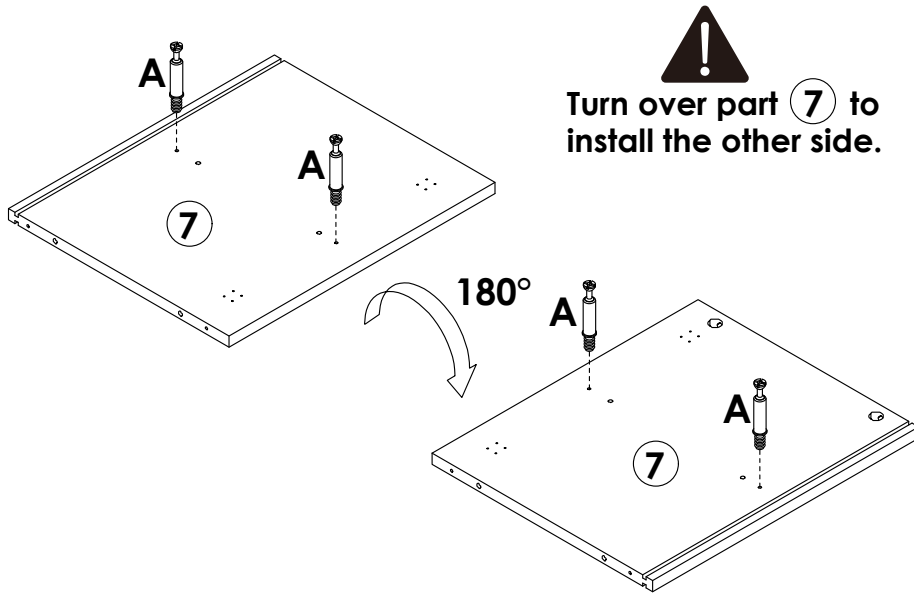
22  2PCS	23  2PCS	24  2PCS
25  1PC	26  1PC	27  1PC
28  1PC	29  1PC	30  1PC
31  2PCS	32  2PCS	33  2PCS
34  4PCS	35  2PCS	36  2PCS

Parts List(EN) / Teile Liste(DE)

A  M6×35mm 89+2PCS	B  Ø15×10mm 89+2PCS	C  Ø6×30mm 62+2PCS	D  M3.5×10mm 4PCS
E  Ø35mm 16PCS	F  M3×14mm 28+2PCS	G  1PC	H  M4×12mm 96+2PCS
I  6PCS	J  10PCS	K  M4×18mm 8+1PCS	L  28+2PCS
M  M4×35mm 27+2PCS	N  M3.5×12mm 24+2PCS	O  M4×12mm 2PCS	P  M4×45mm 4PCS
Q  M6×30mm 2PCS	R  2PCS	S  M3×12mm 8+1PCS	T  L725mm 2PCS
U  M4×10mm 2PCS	V  M6×50mm 4PCS	CL  L300mm 2PCS	CR  L300mm 2PCS
DL  L300mm 2PCS	DR  L300mm 2PCS		

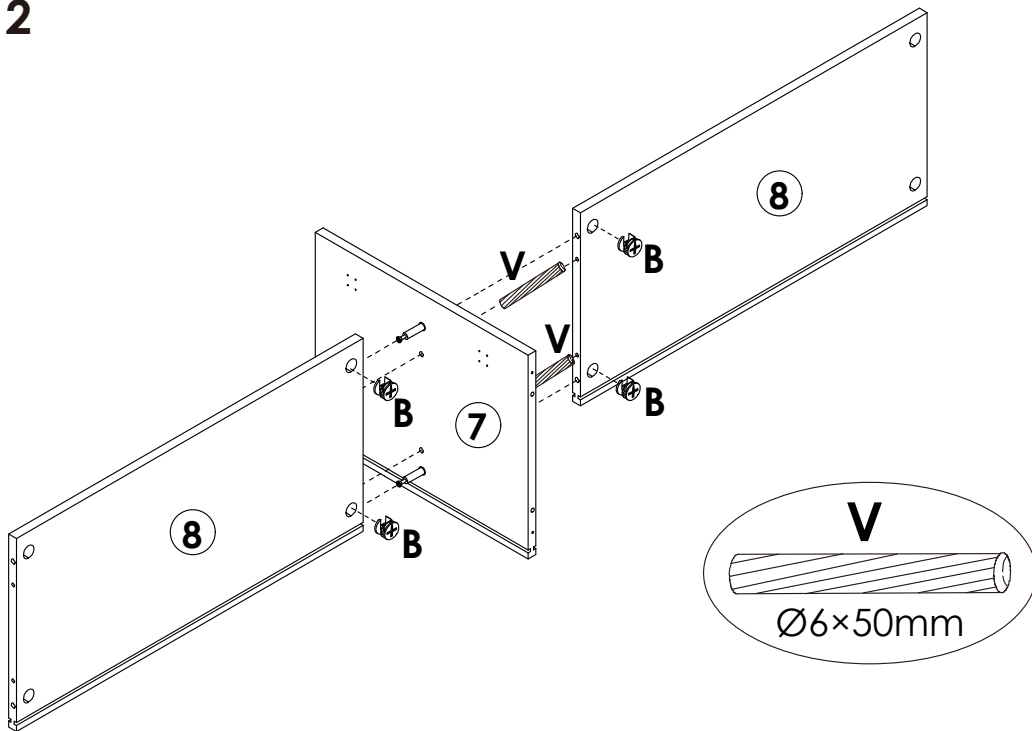
Assembly Steps(EN) / Montageschritte(DE)

STEP 1



A x 4PCS

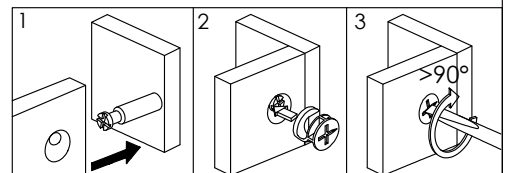
STEP 2



B x 4PCS

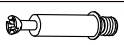
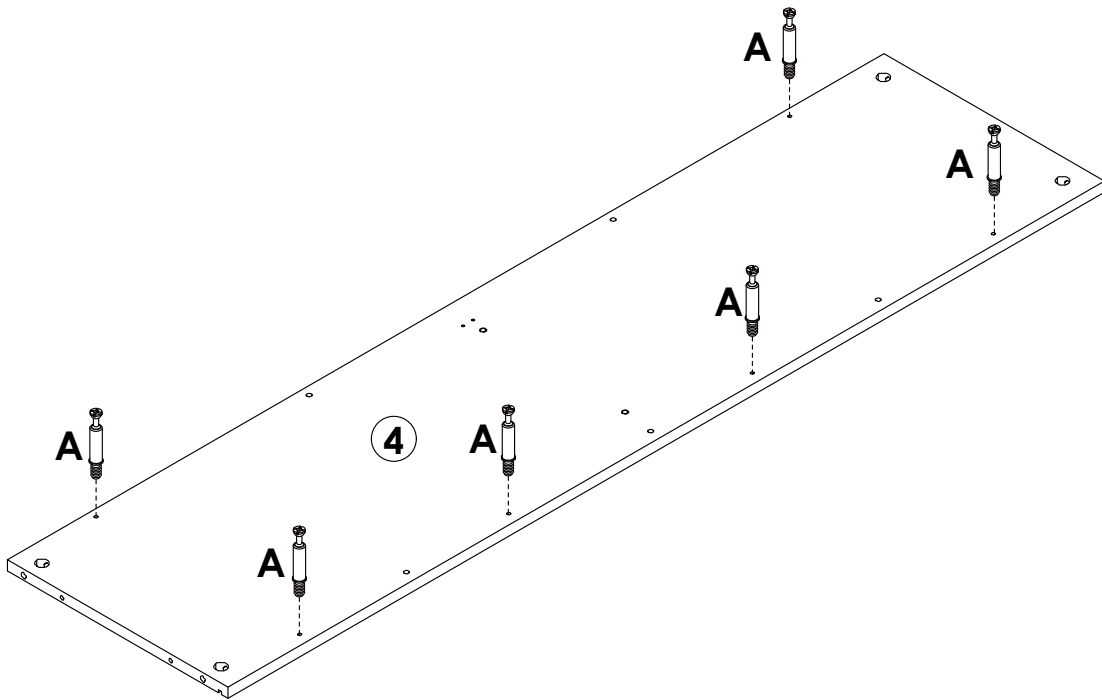


V x 2PCS



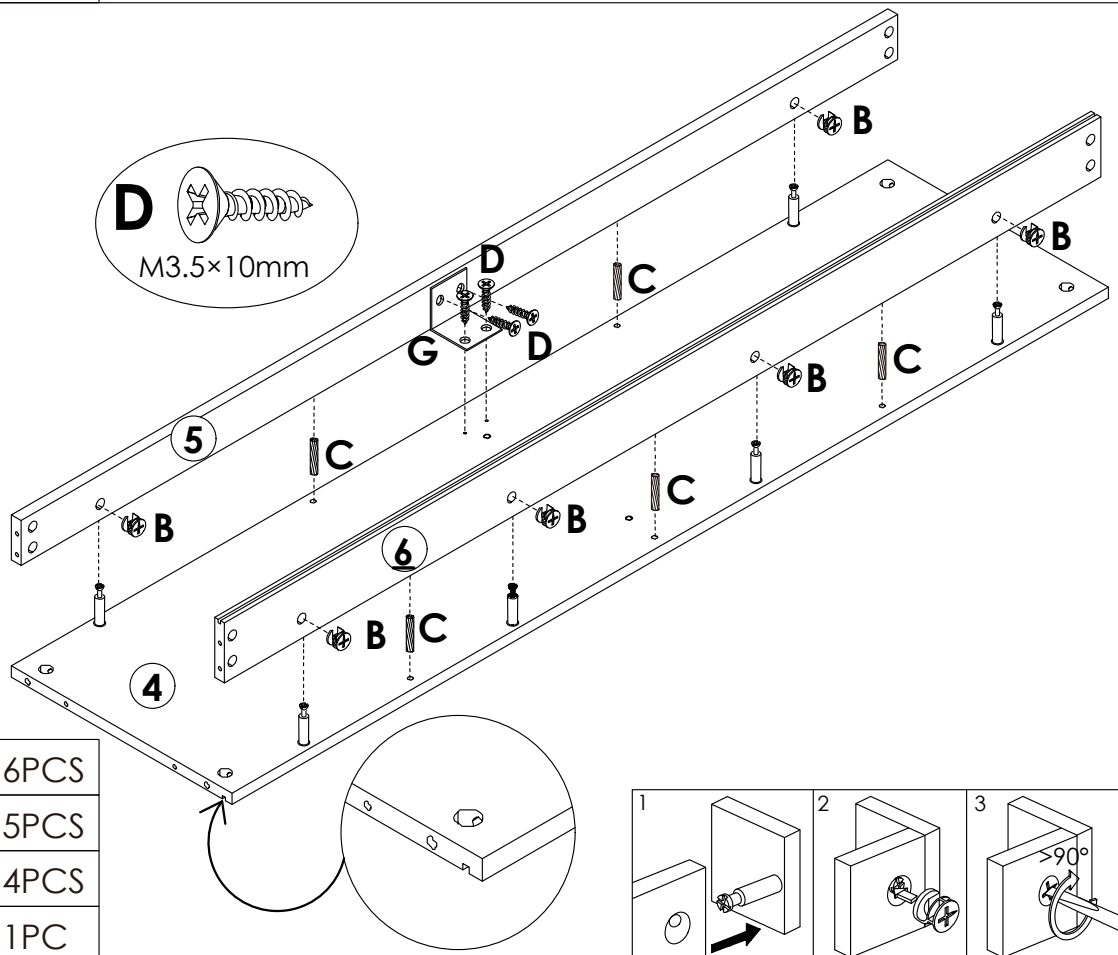
Assembly Steps(EN) / Montageschritte(DE)

STEP 3



A x 6PCS

STEP 4



D

M3.5x10mm



B x 6PCS



C x 5PCS



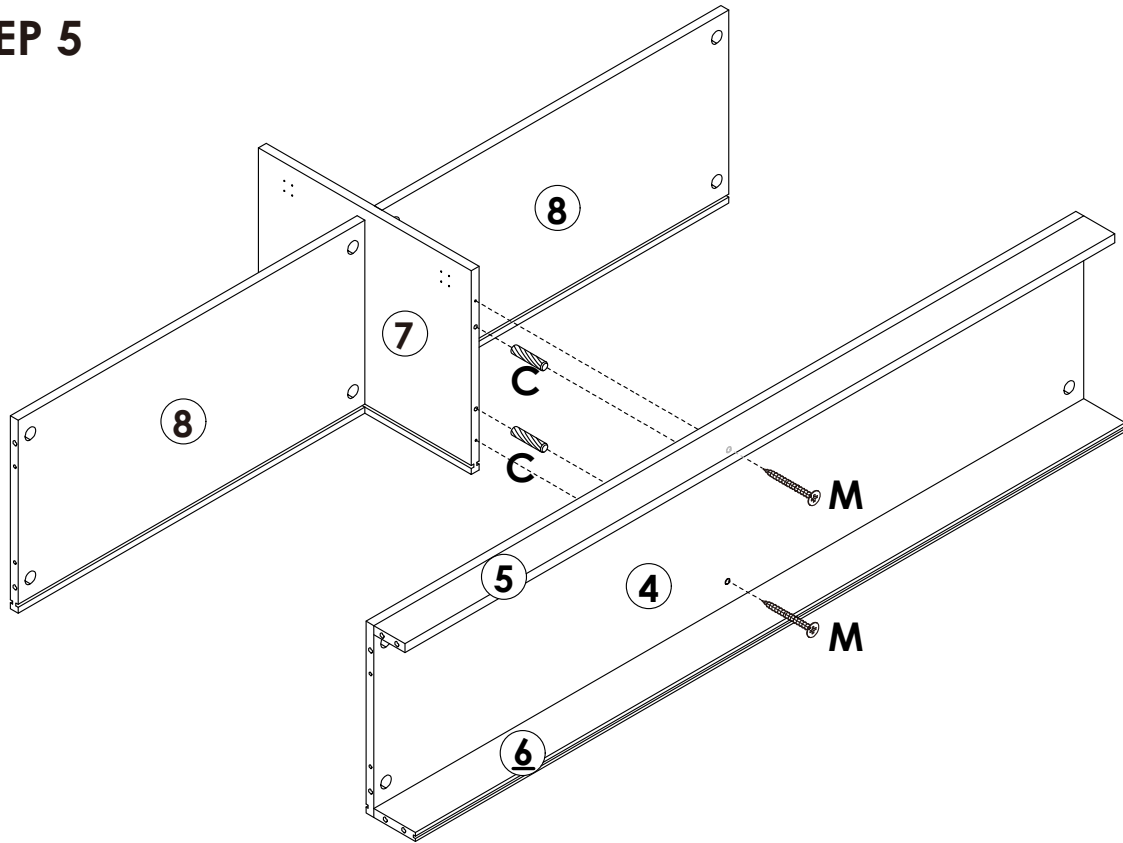
D x 4PCS


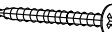


G x 1PC

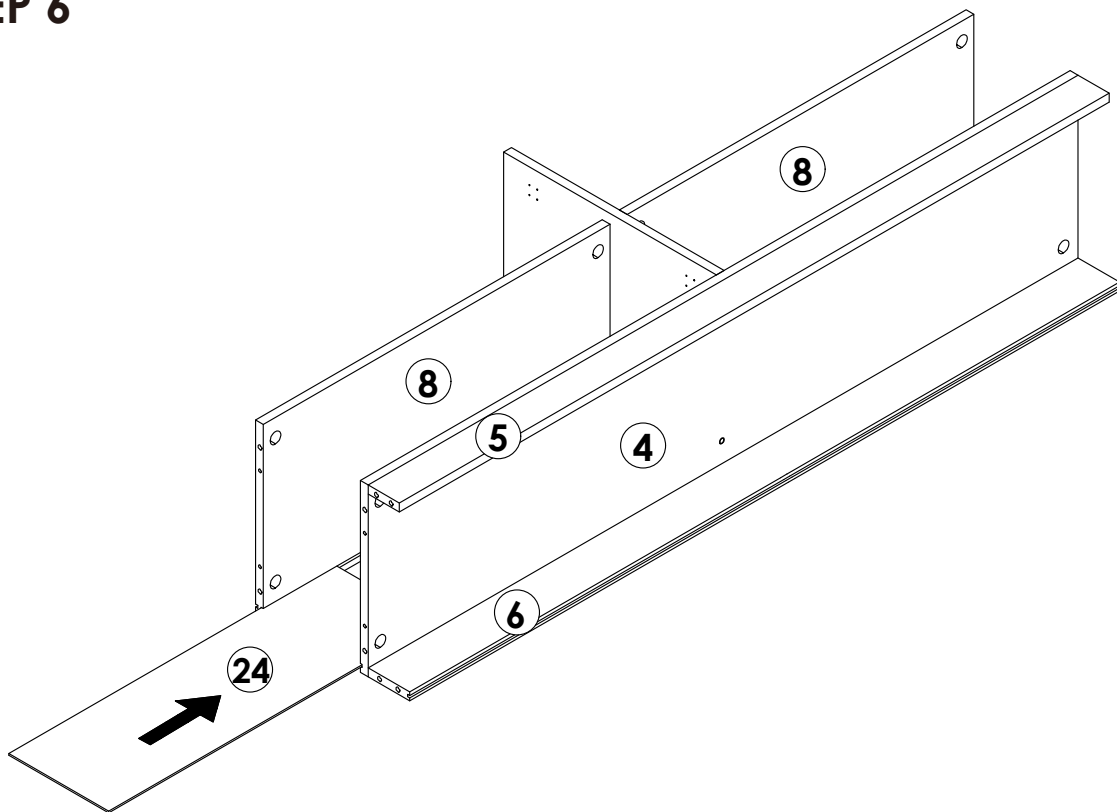
Assembly Steps(EN) / Montageschritte(DE)

STEP 5



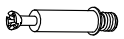
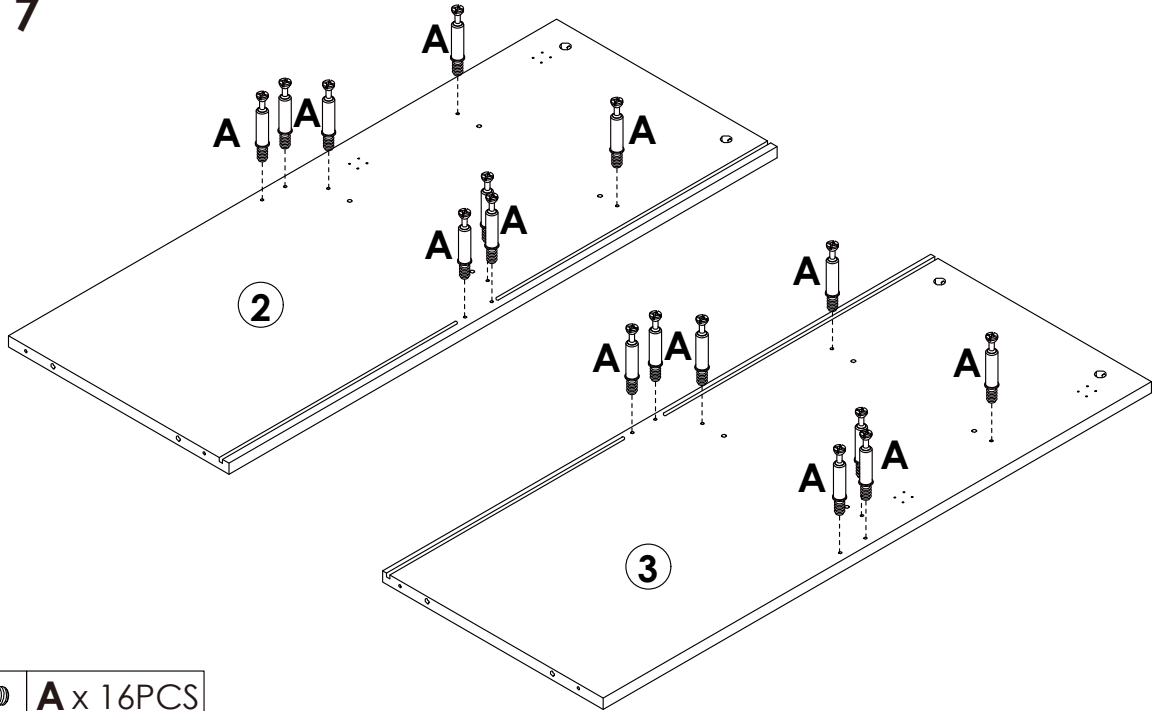
	C x 2PCS
	M x 2PCS

STEP 6



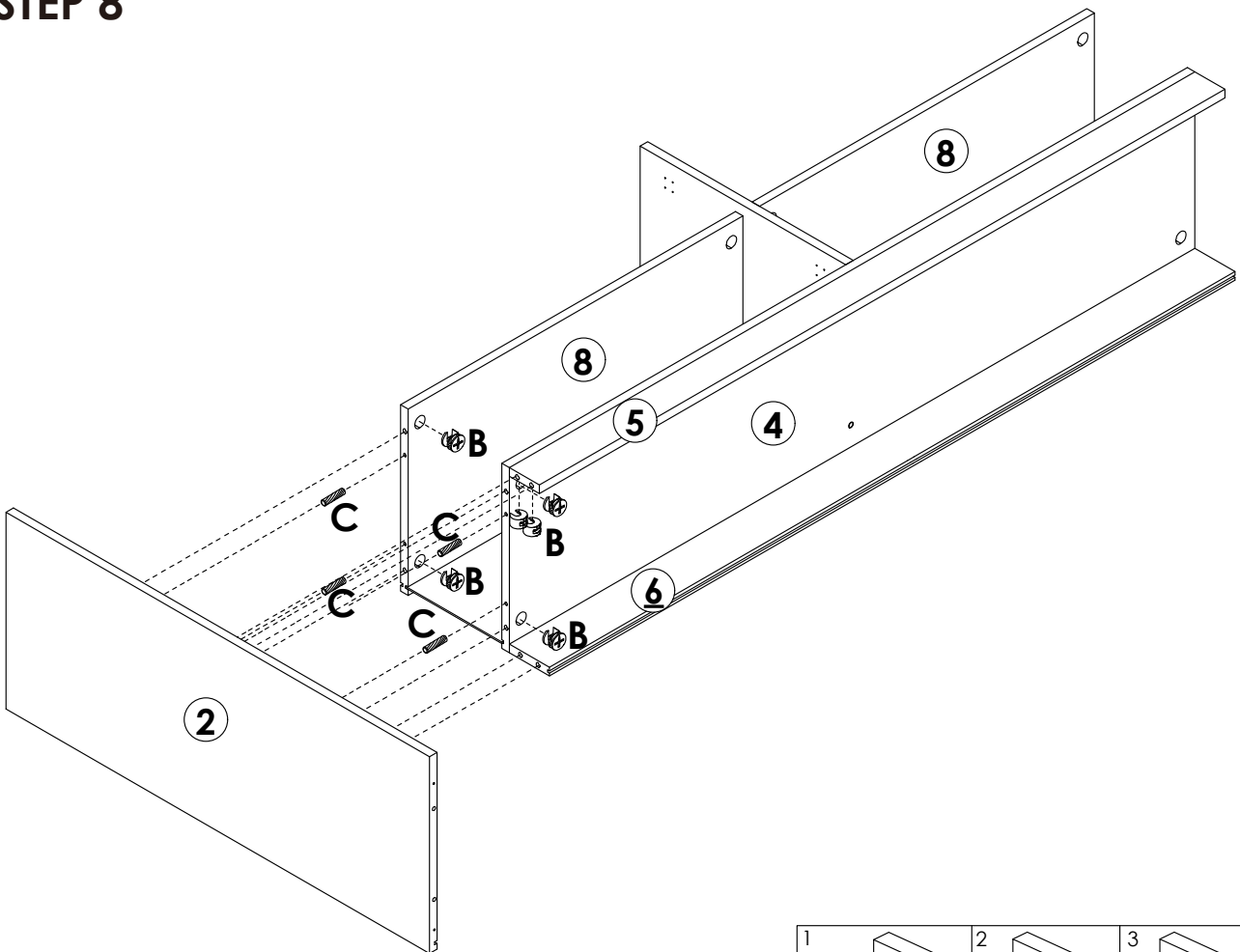
Assembly Steps(EN) / Montageschritte(DE)

STEP 7



A x 16PCS

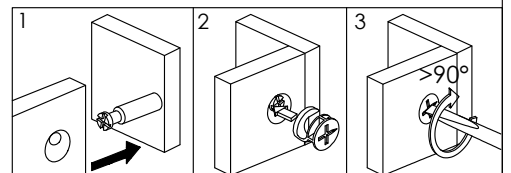
STEP 8



B x 6PCS

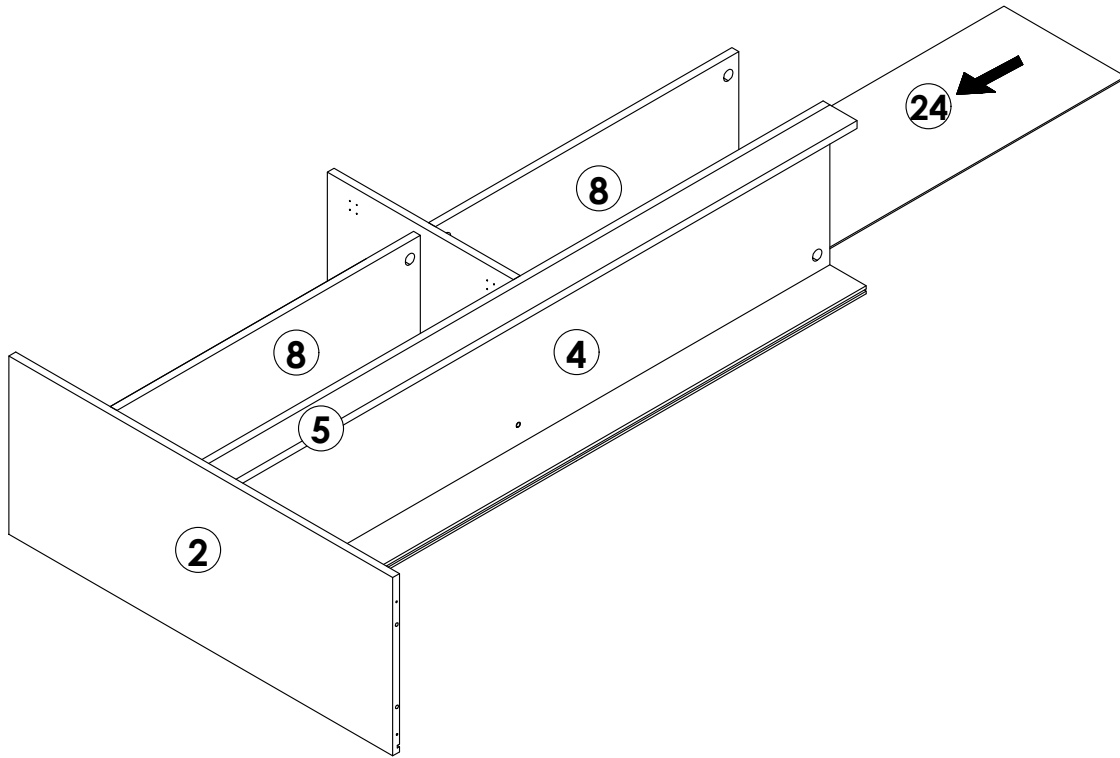


C x 4PCS

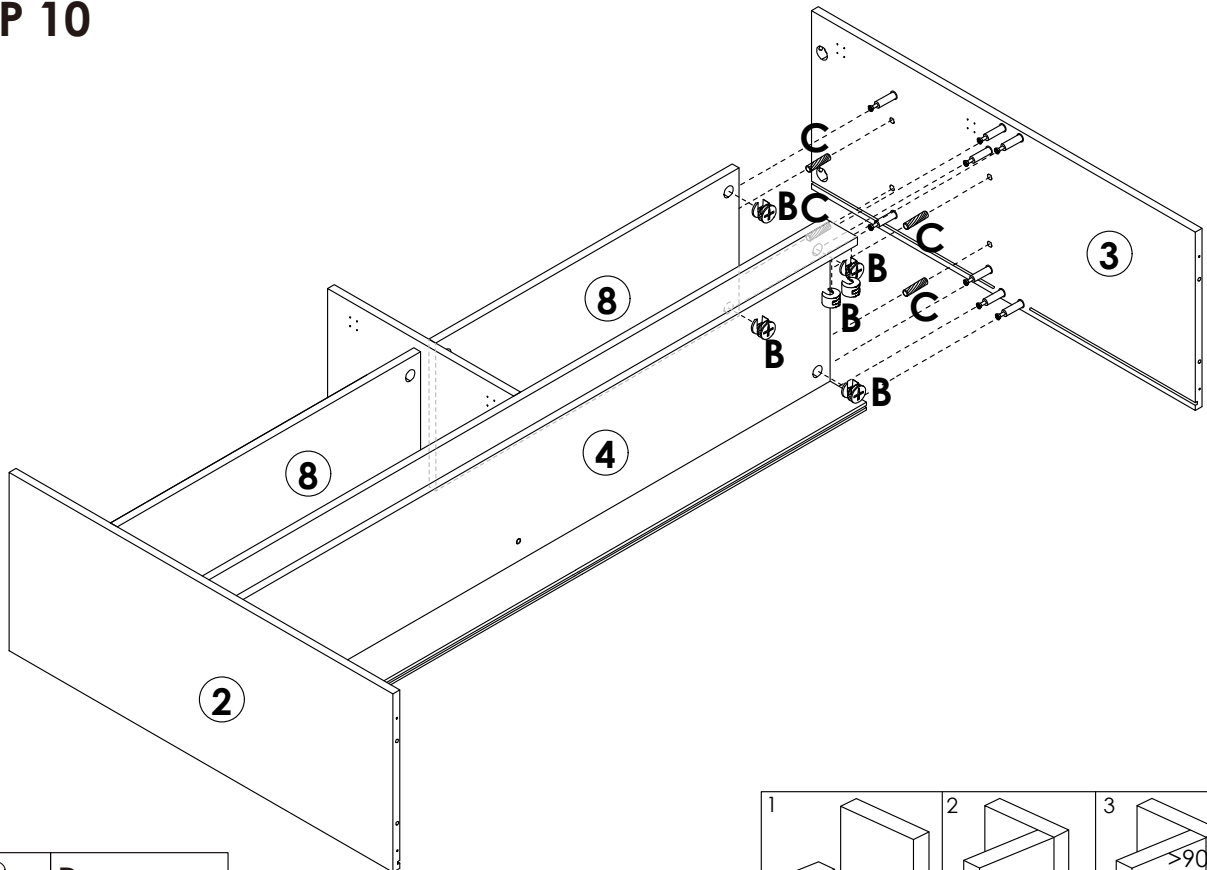




Assembly Steps(EN) / Montageschritte(DE)

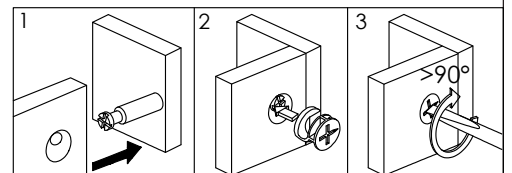
STEP 9



STEP 10

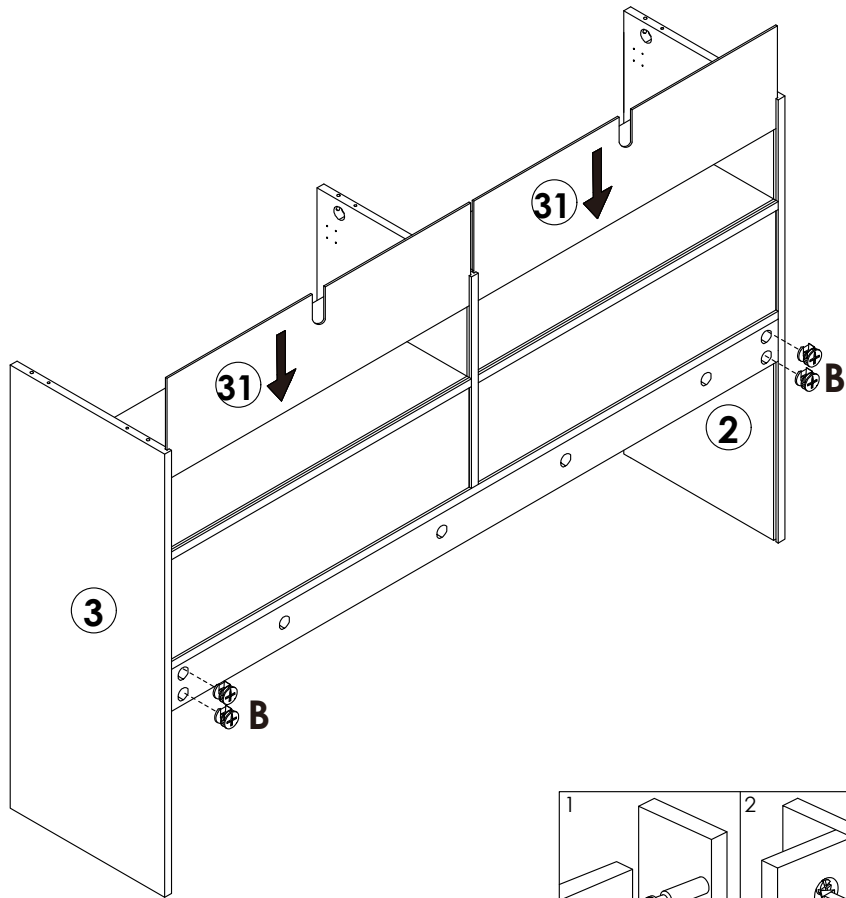


	B x 6PCS
	C x 4PCS

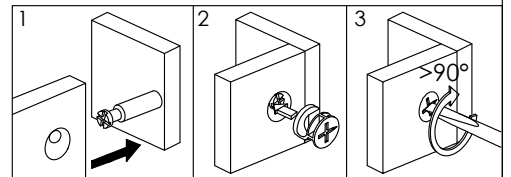


Assembly Steps(EN) / Montageschritte(DE)

STEP 11

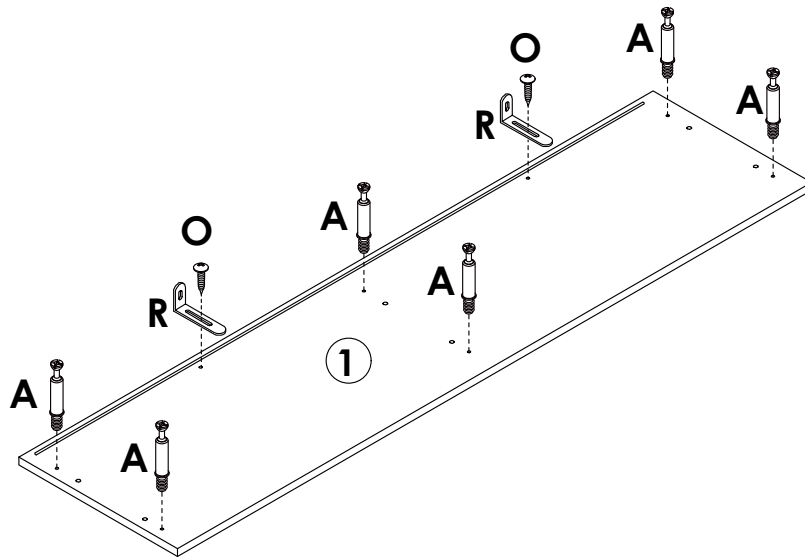


B x 4PCS



STEP 12

Lock the long side of the "R" L-shaped metal plate to the **1** board with the "O" short screw.



A x 6PCS



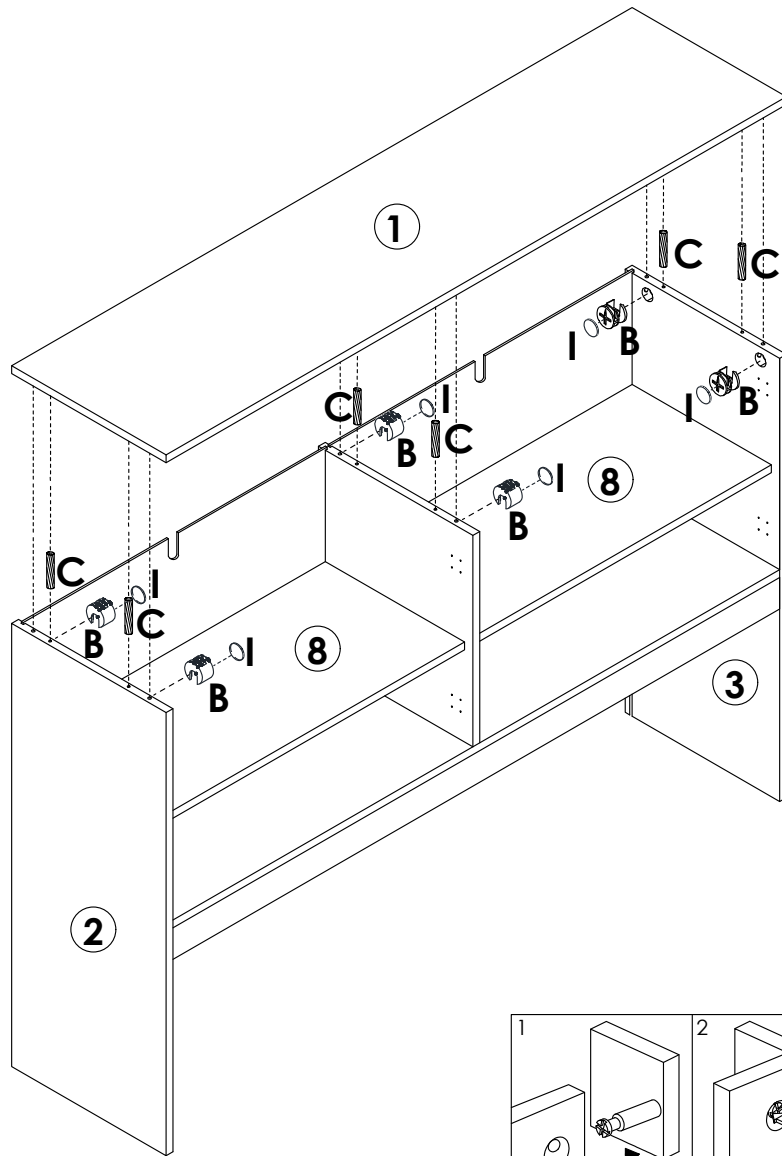
R x 2PCS






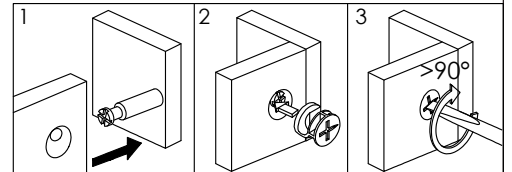
O x 2PCS

Assembly Steps(EN) / Montageschritte(DE)

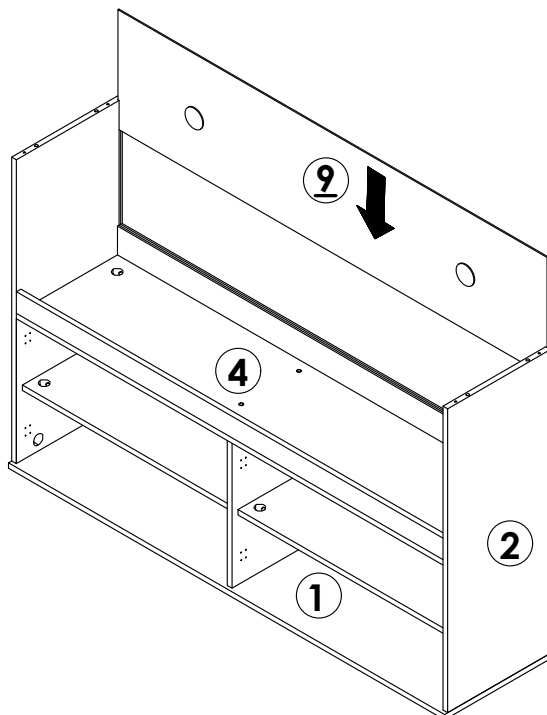
STEP 13



	B x 6PCS
	C x 6PCS
	I x 6PCS

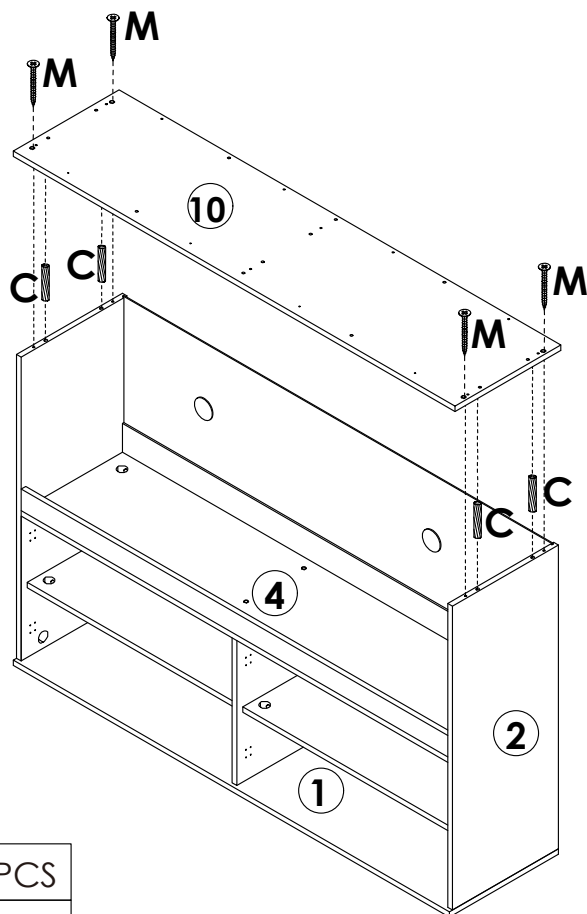



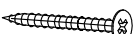
STEP 14



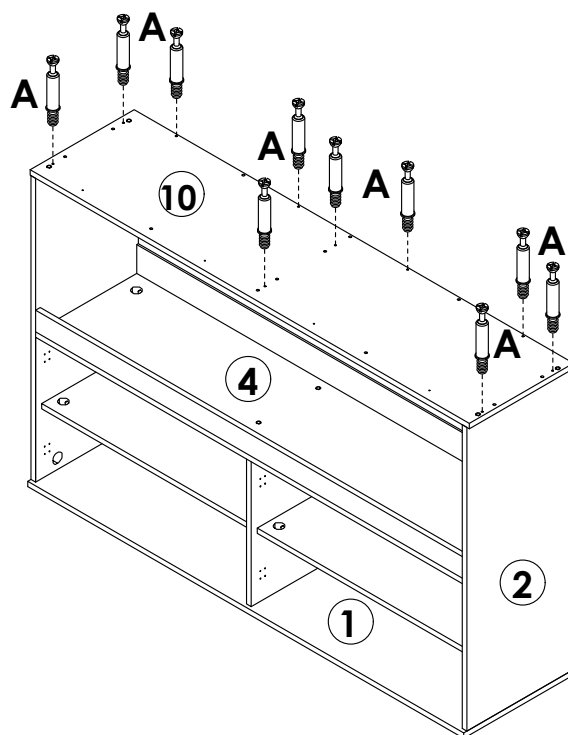
Assembly Steps(EN) / Montageschritte(DE)

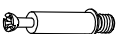
STEP 15



	C x 4PCS
	M x 4PCS

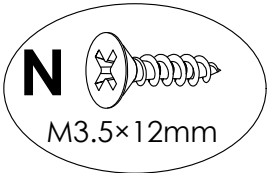
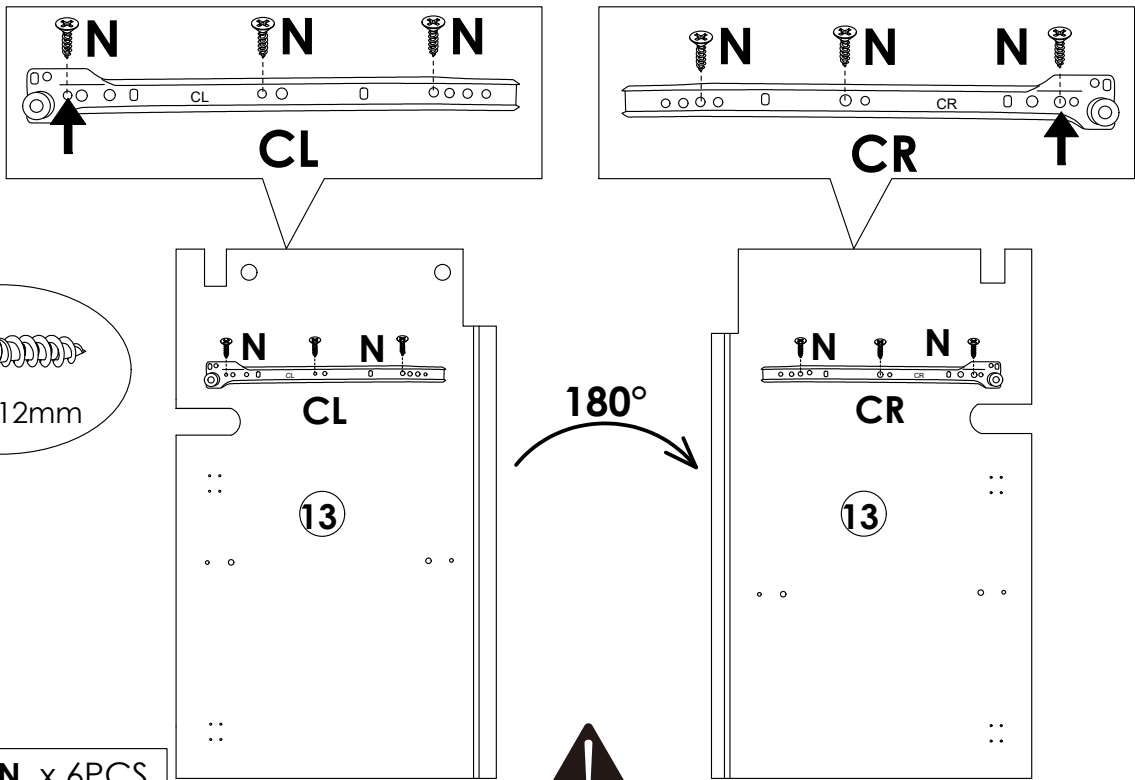
STEP 16






	A x 10PCS
---	------------------

Assembly Steps(EN) / Montageschritte(DE)

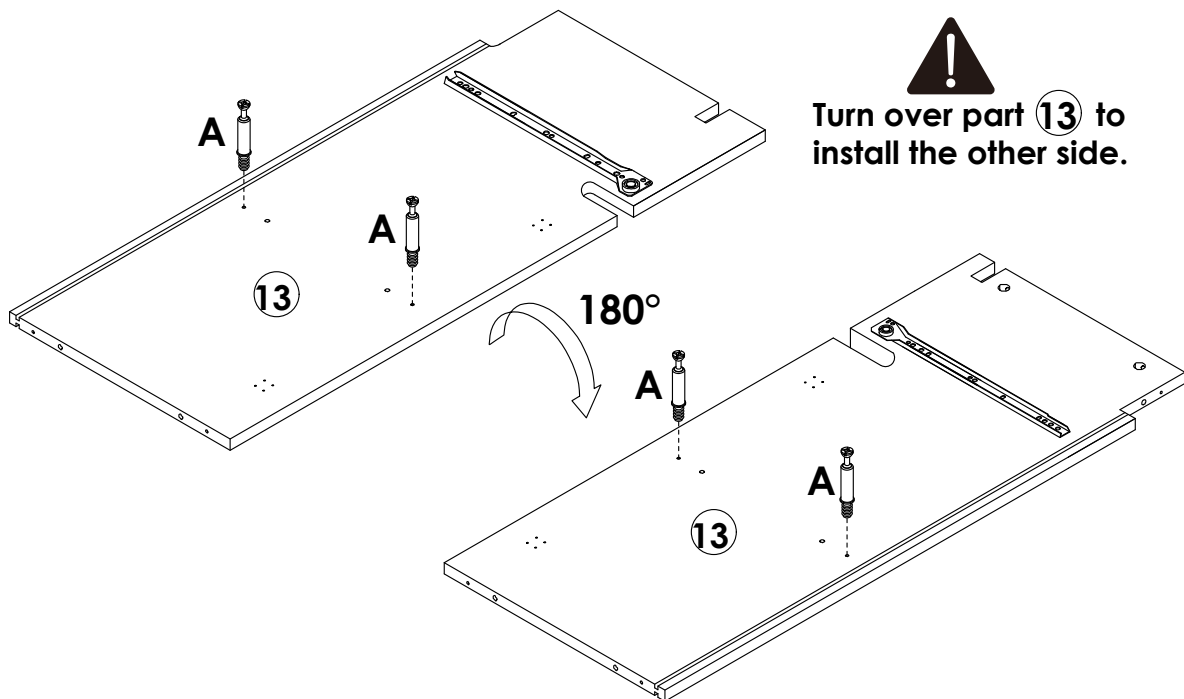
STEP 17



	N x 6PCS
	CL x 1PC
	CR x 1PC

Turn over part **13** to install the other side.

STEP 18

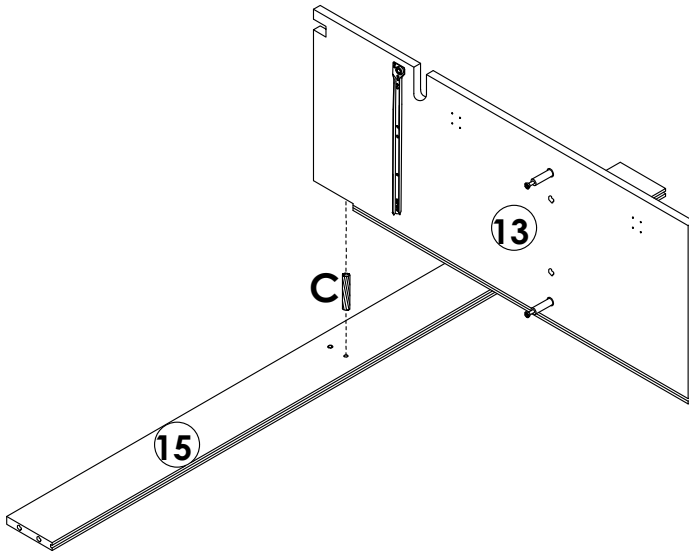


Turn over part **13** to install the other side.

	A x 4PCS
---	-----------------

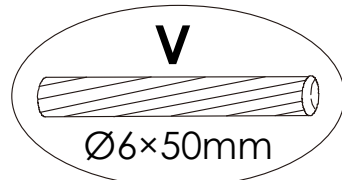
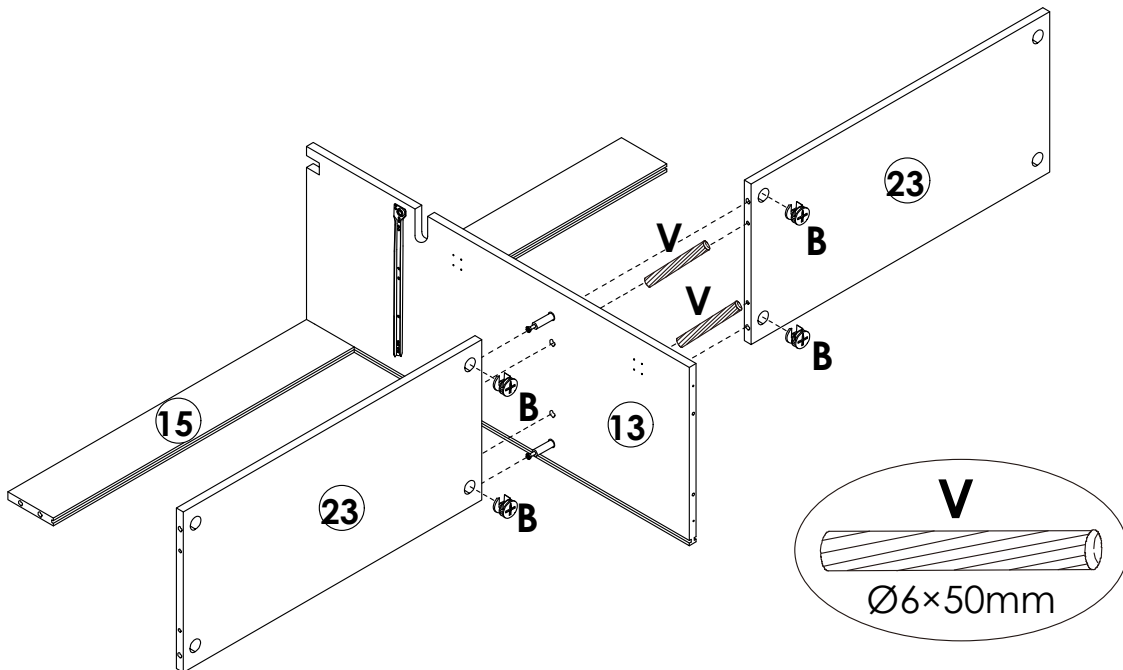
Assembly Steps(EN) / Montageschritte(DE)

STEP 19



C x 1PC

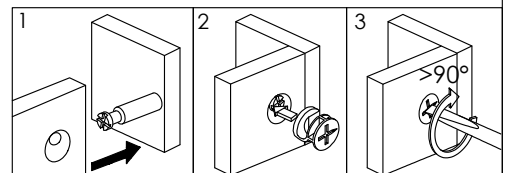
STEP 20



B x 4PCS

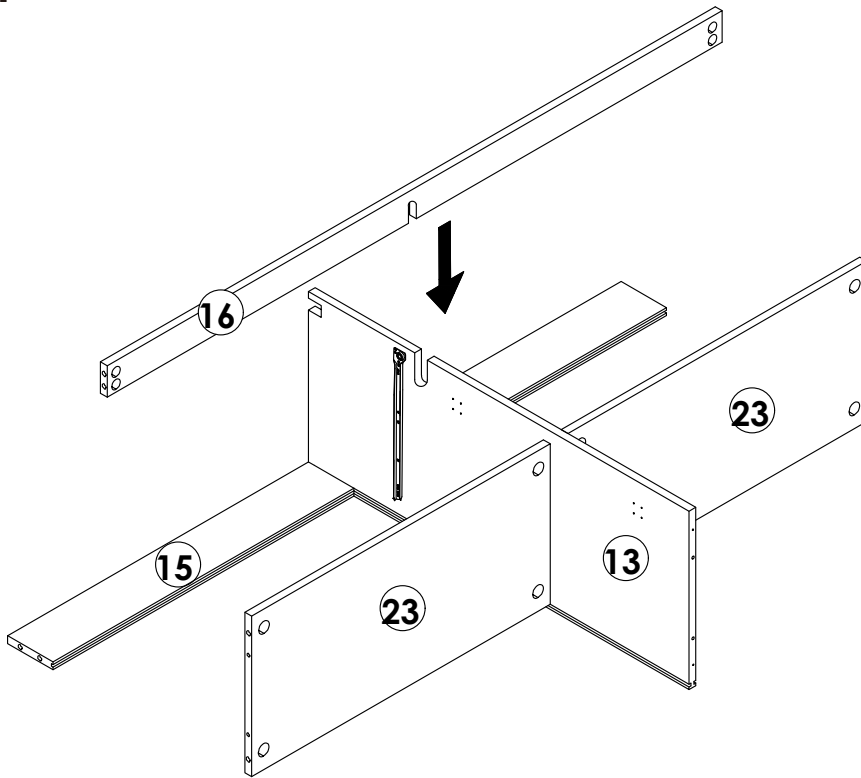


V x 2PCS

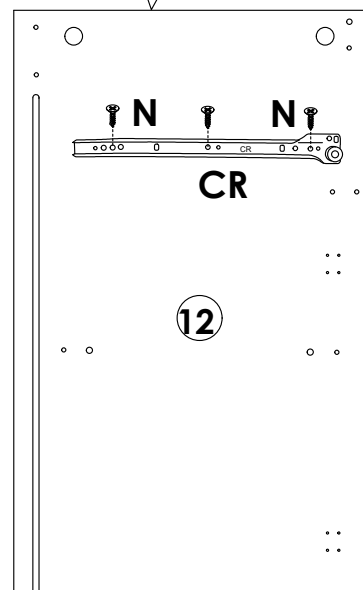
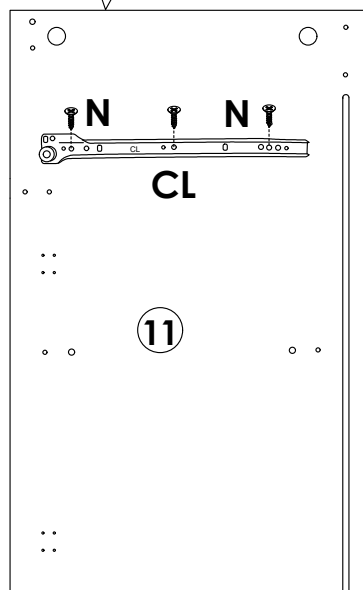
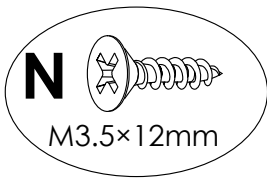
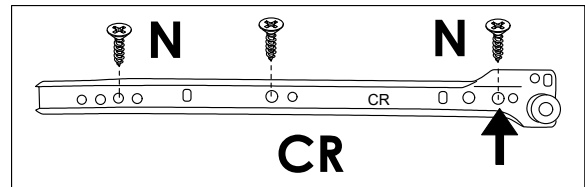
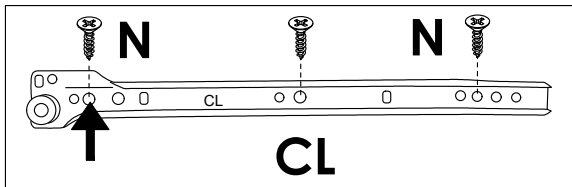


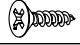


Assembly Steps(EN) / Montageschritte(DE)

STEP 21



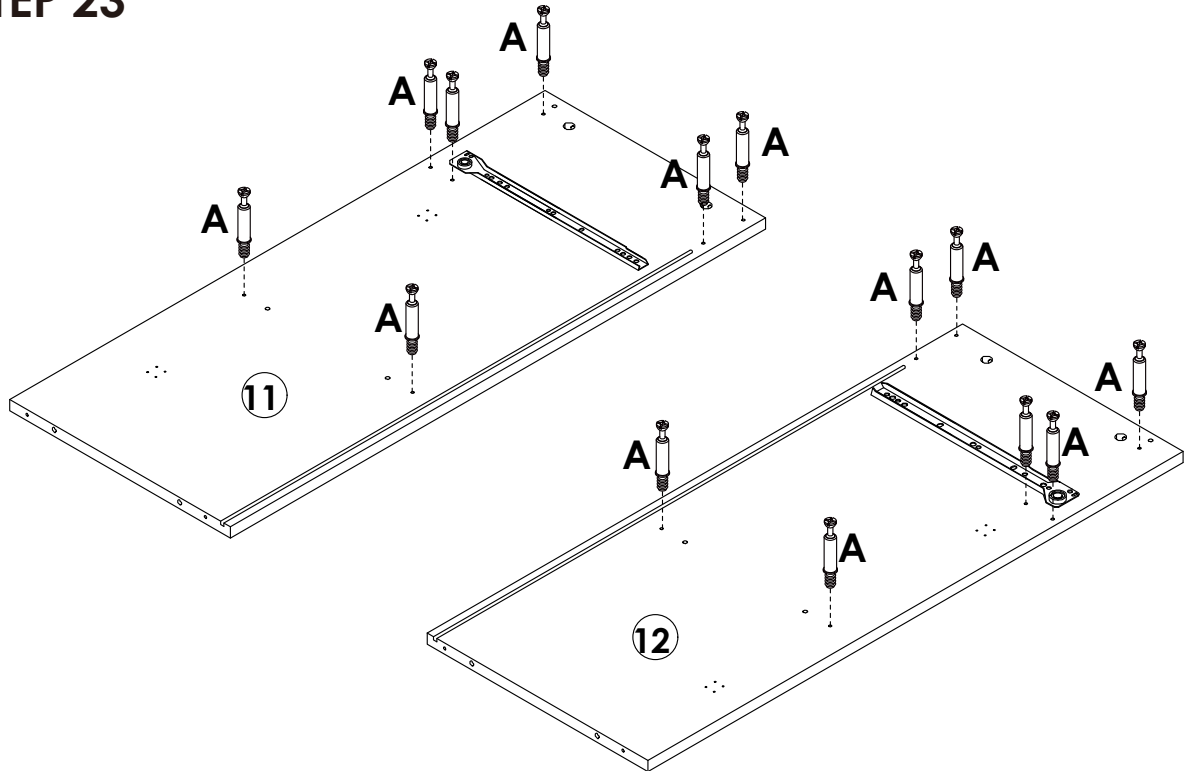
STEP 22



	N x 6PCS
	CL x 1PC
	CR x 1PC

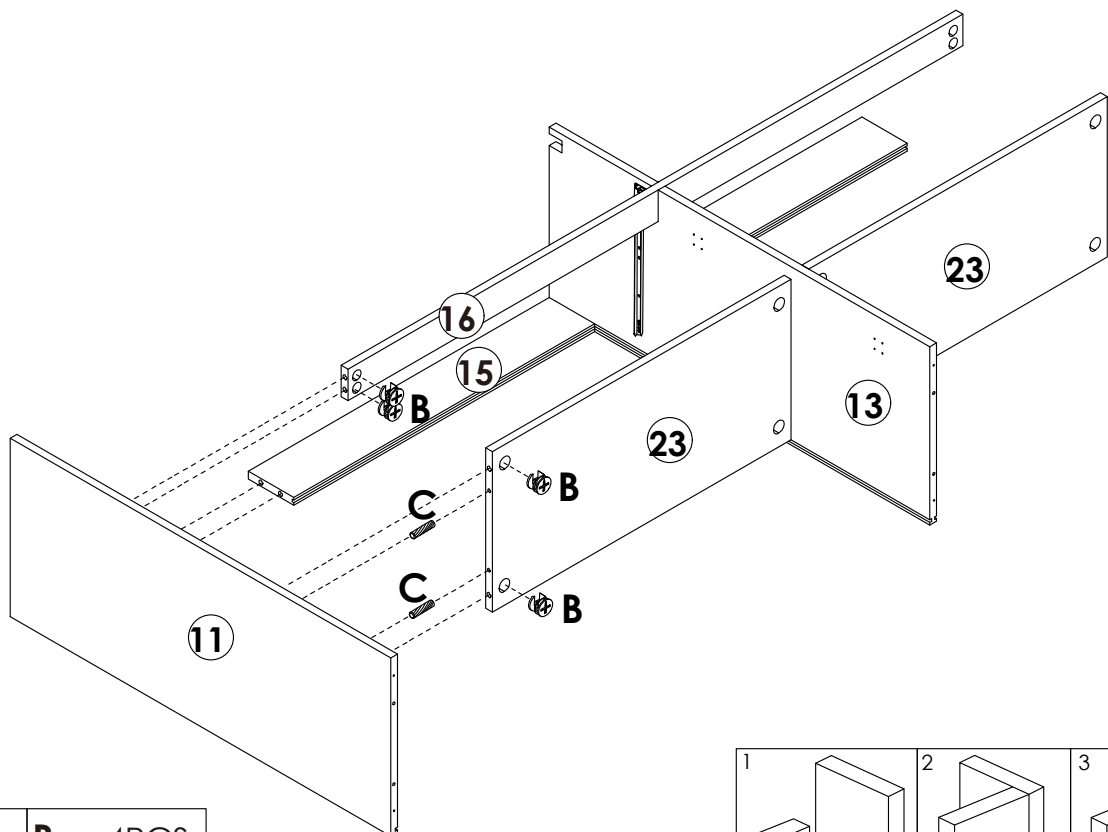
Assembly Steps(EN) / Montageschritte(DE)



STEP 23

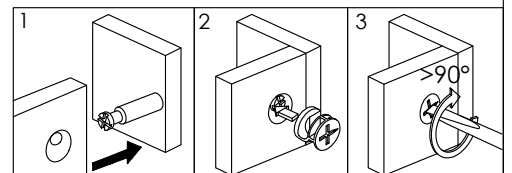


 **A x 14PCS**

STEP 24

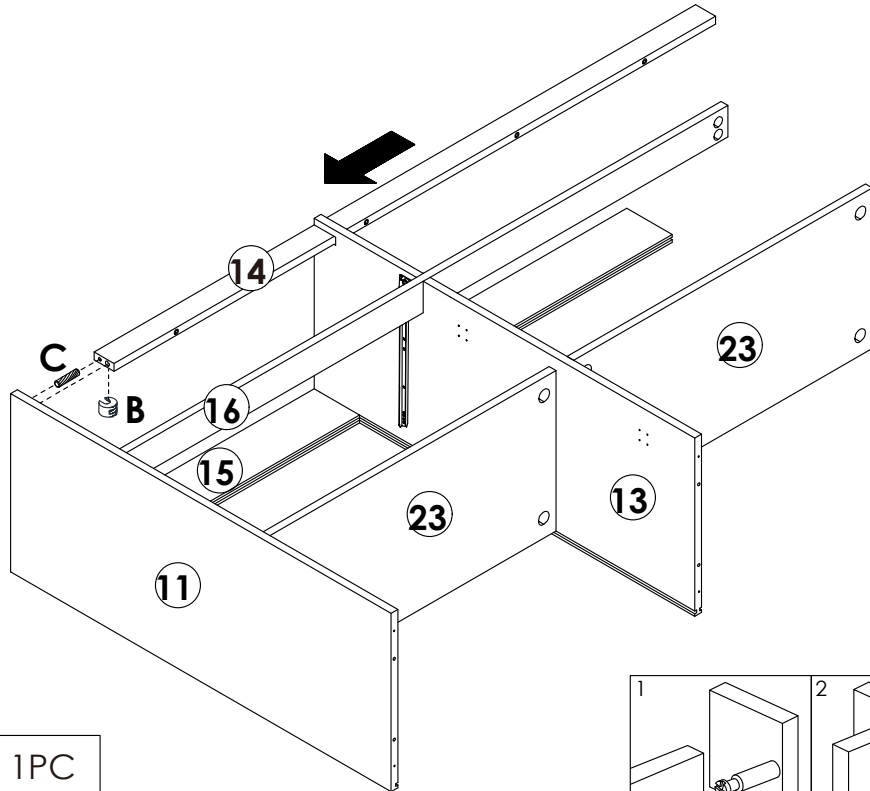




	B x 4PCS
	C x 2PCS

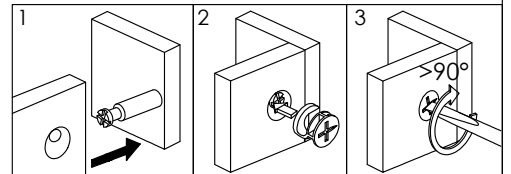


Assembly Steps(EN) / Montageschritte(DE)

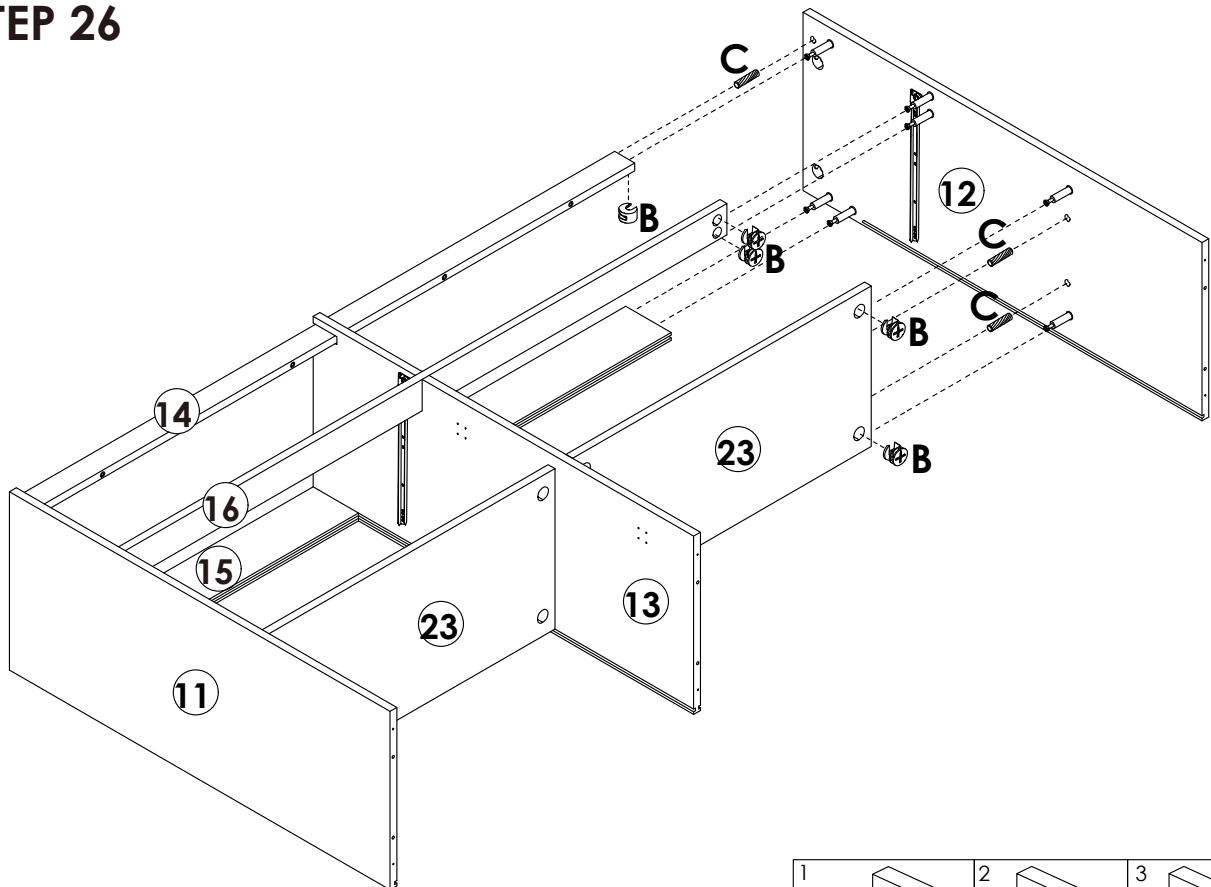
STEP 25





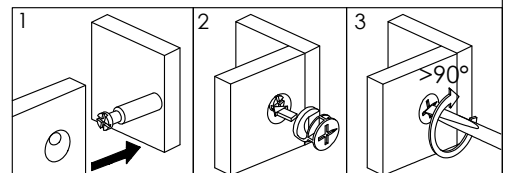
	B x 1PC
	C x 1PC



STEP 26

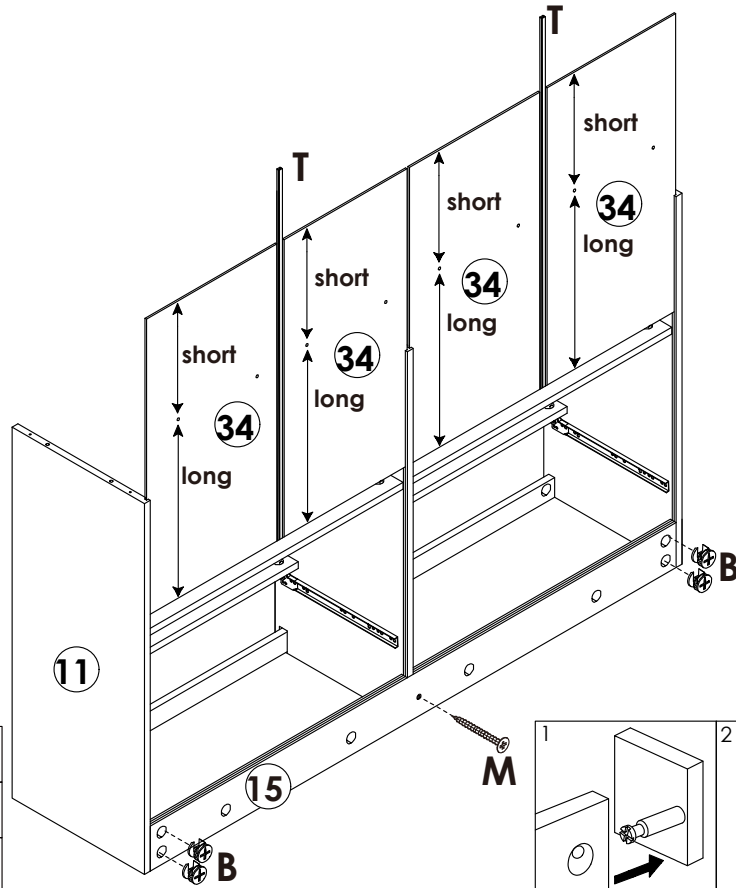



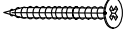

	B x 5PCS
	C x 3PCS

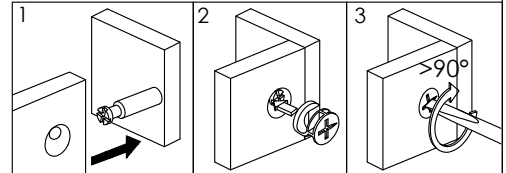


Assembly Steps(EN) / Montageschritte(DE)

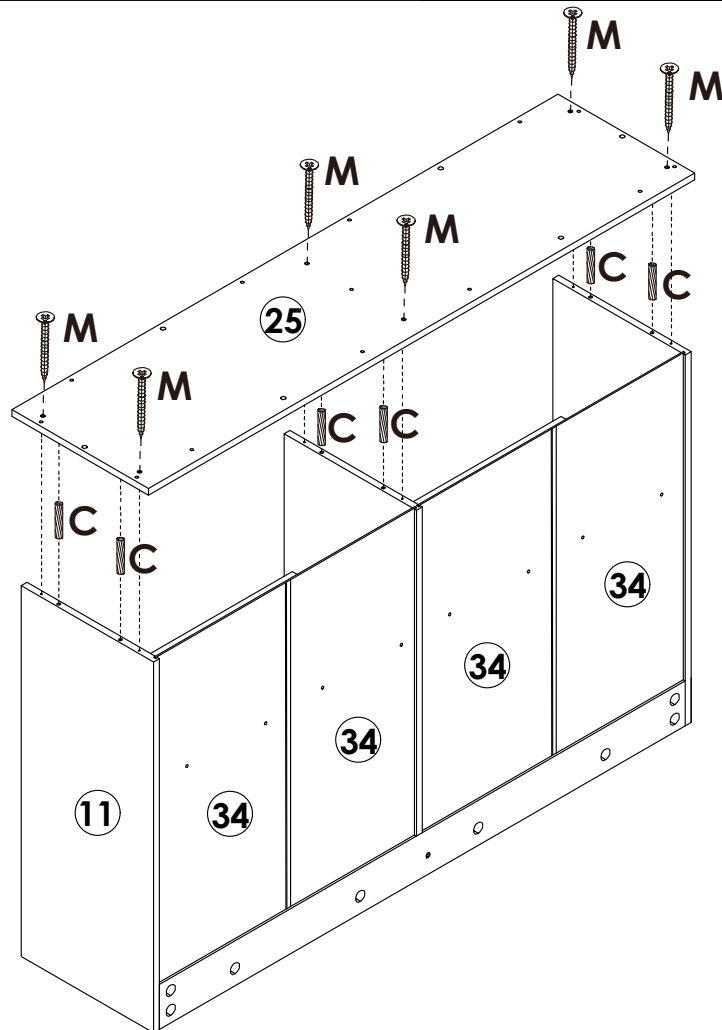
STEP 27





	B x 4PCS
	M x 1PC
	T x 2PCS



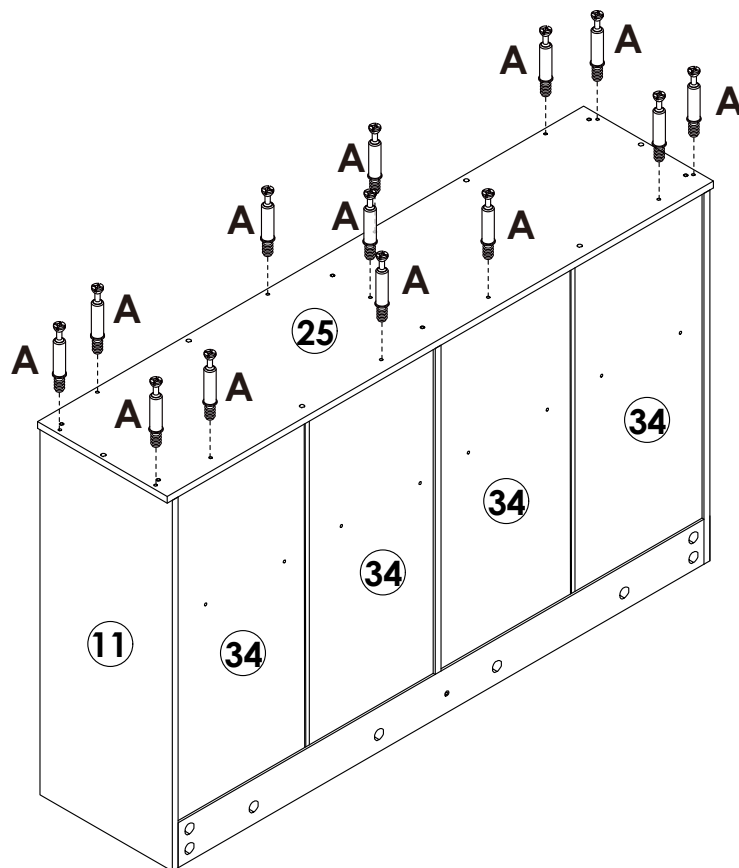
STEP 28



	C x 6PCS
	M x 6PCS

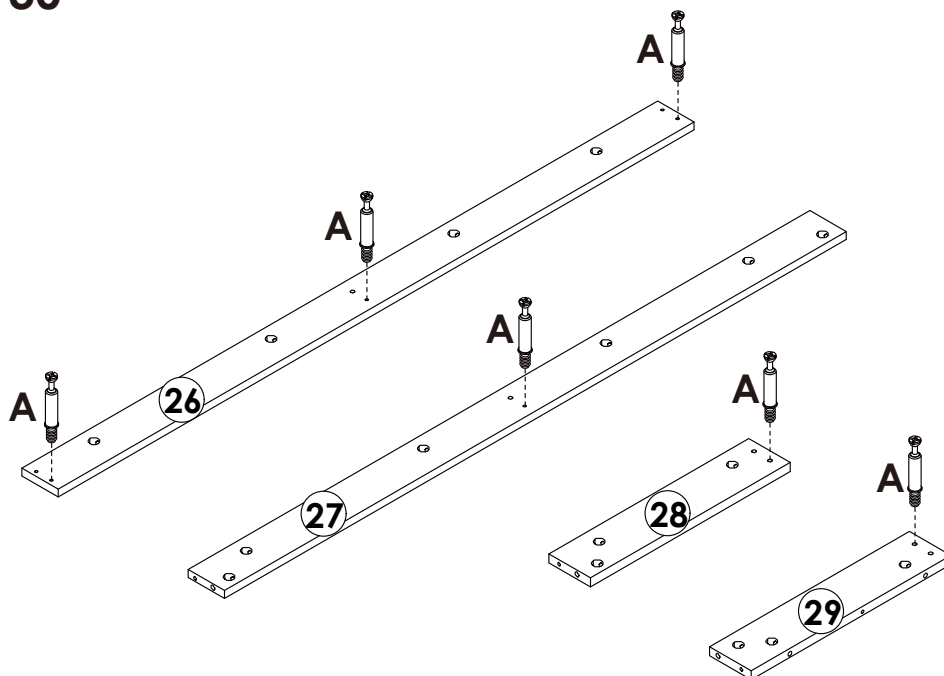
Assembly Steps(EN) / Montageschritte(DE)

STEP 29



 A x13PCS

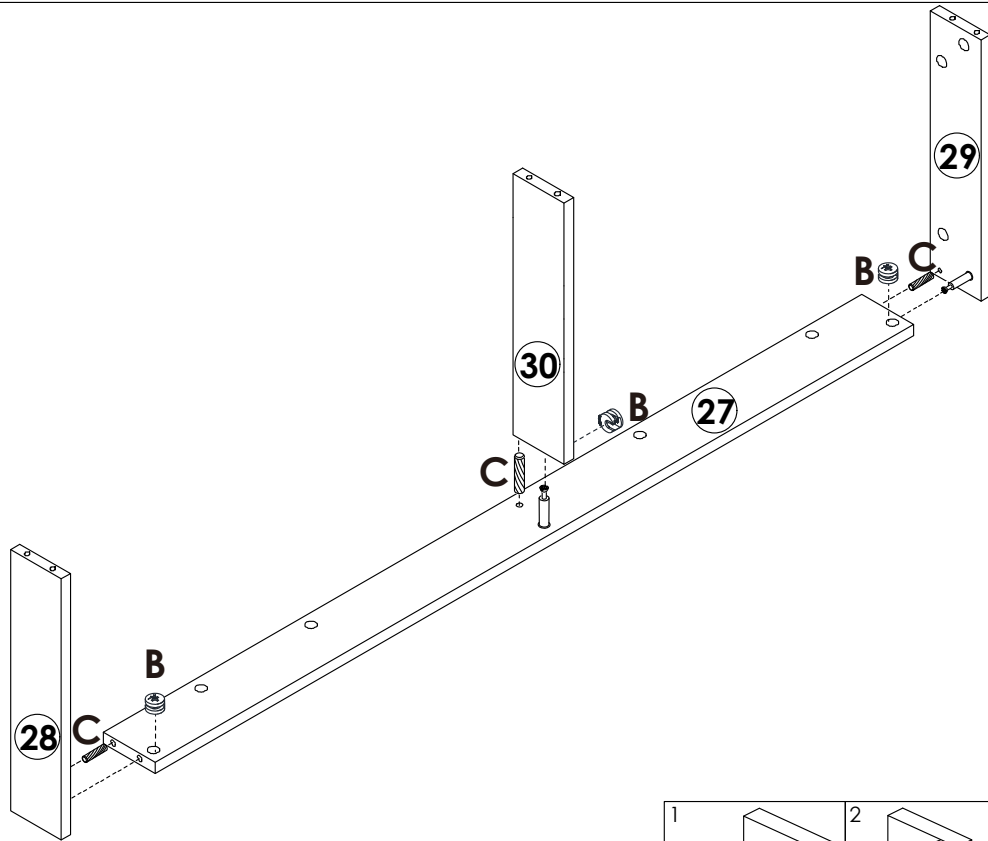
STEP 30





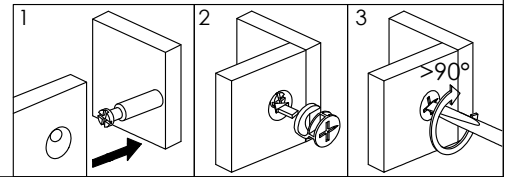
 A x 6PCS

Assembly Steps(EN) / Montageschritte(DE)

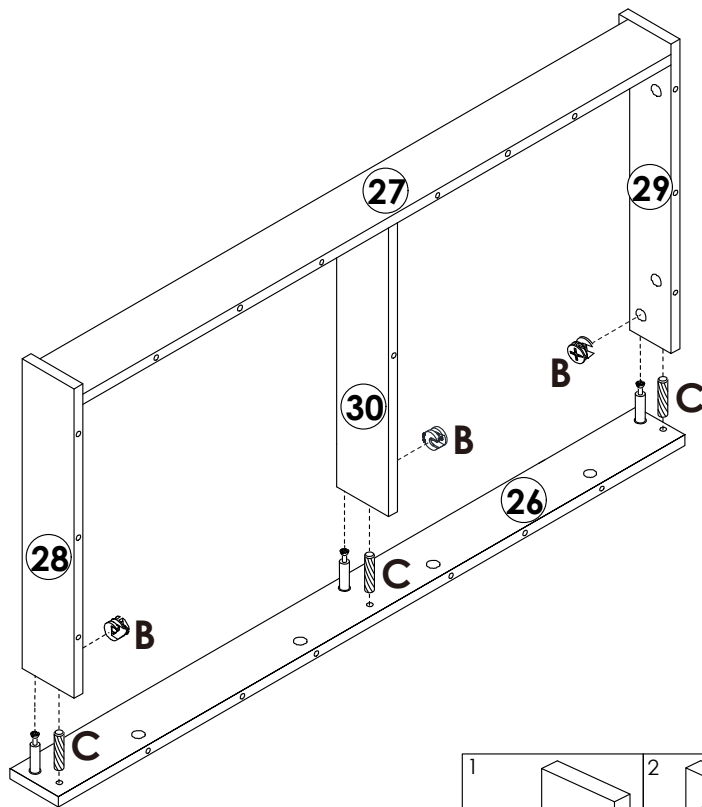
STEP 31


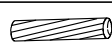


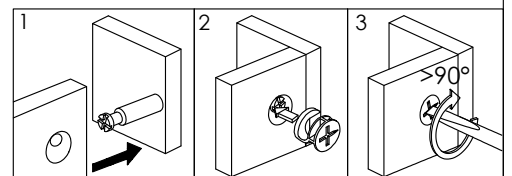
	B x 3PCS
	C x 3PCS



STEP 32

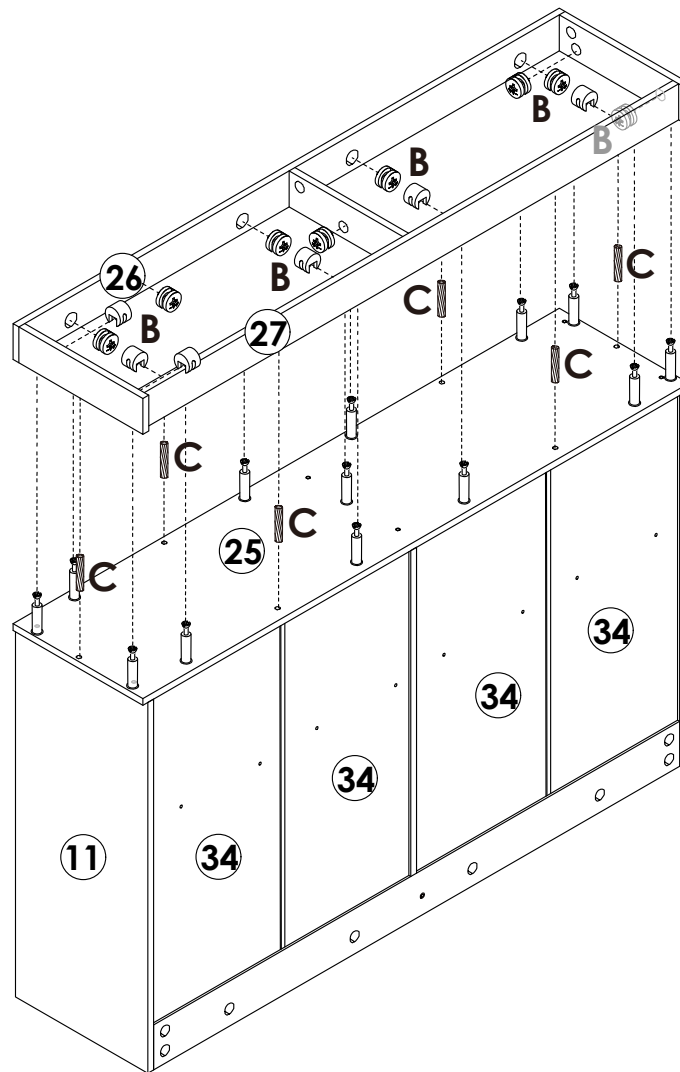




	B x 3PCS
	C x 3PCS

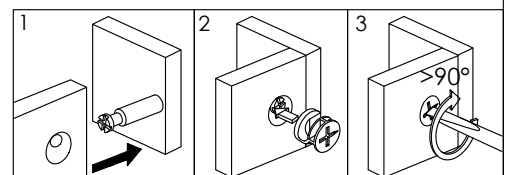


Assembly Steps(EN) / Montageschritte(DE)

STEP 33

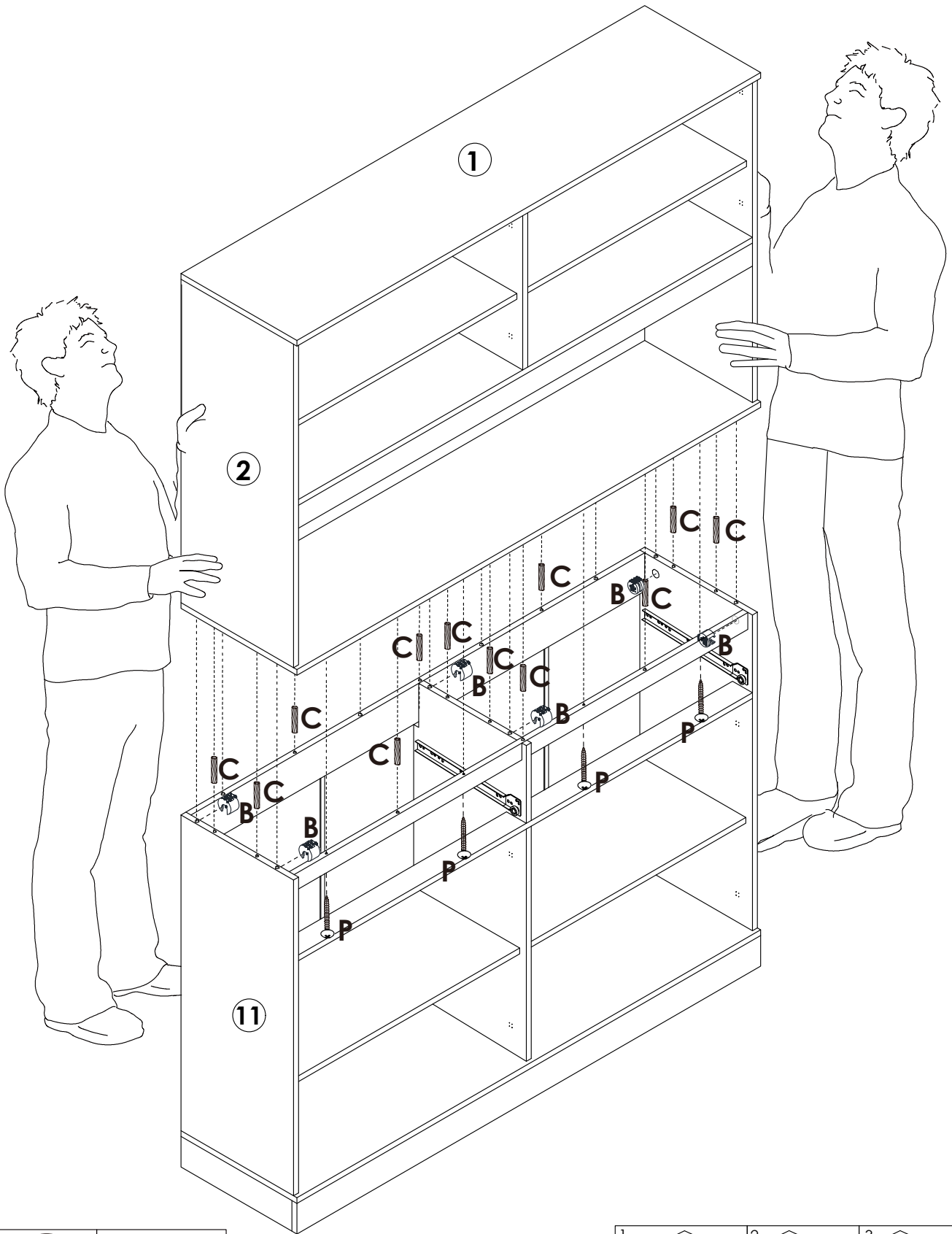





	B x 13PCS
	C x 6PCS

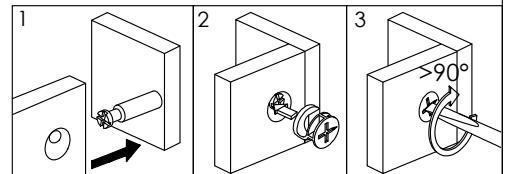


Assembly Steps(EN) / Montageschritte(DE)

STEP 34

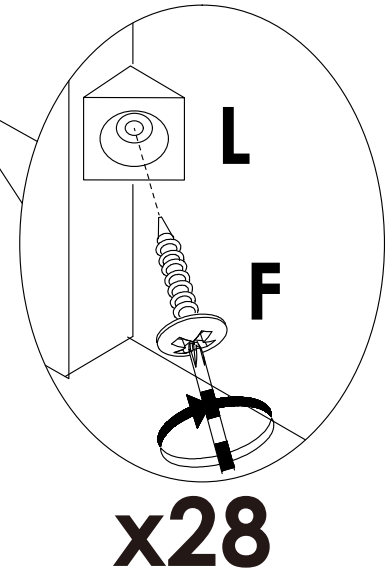
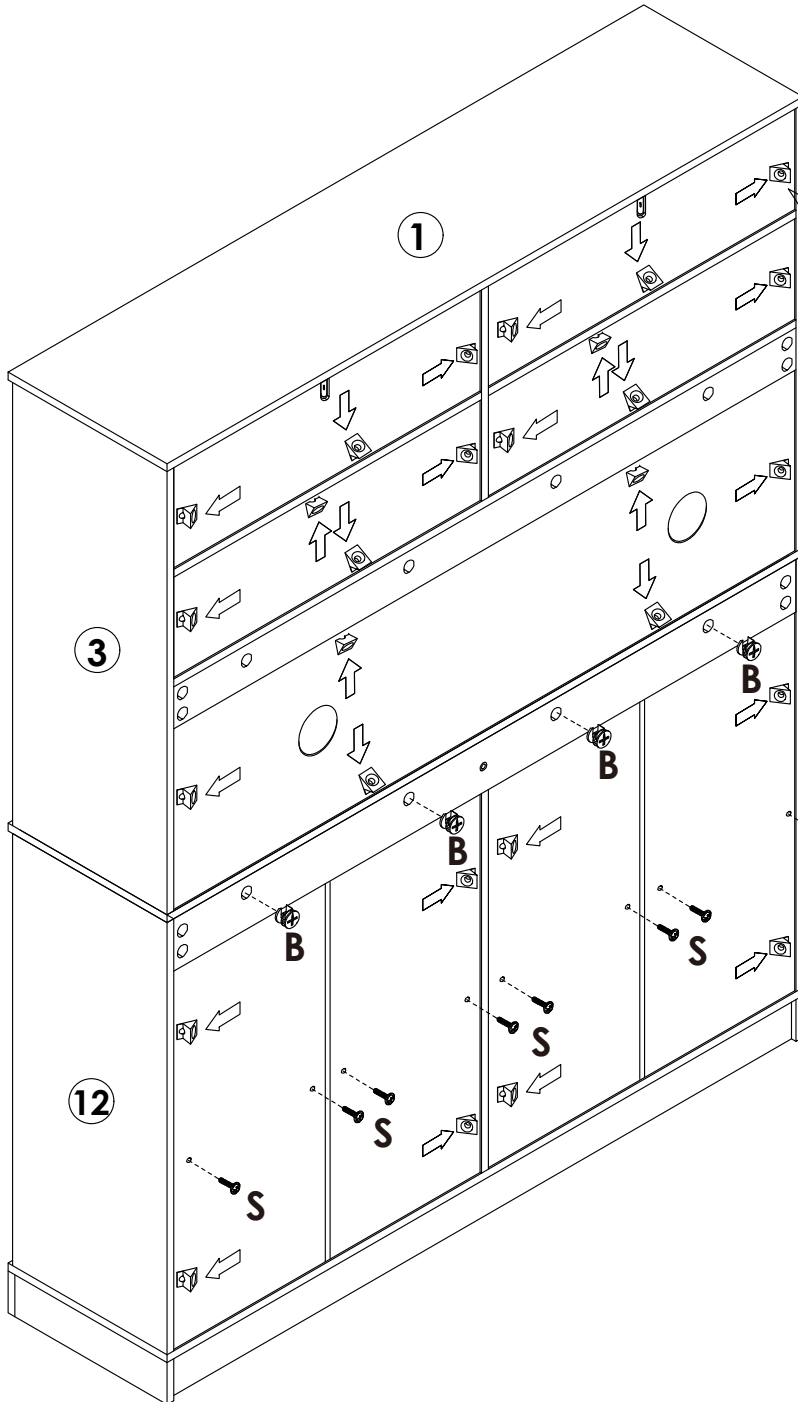




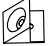

	B x 6PCS
	C x 12PCS
	P x 4PCS

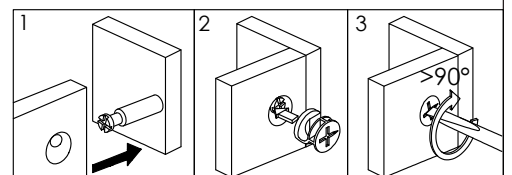


Assembly Steps(EN) / Montageschritte(DE)

STEP 35



	B x 4PCS
	F x 28PCS
	L x 28PCS
	S x 8PCS

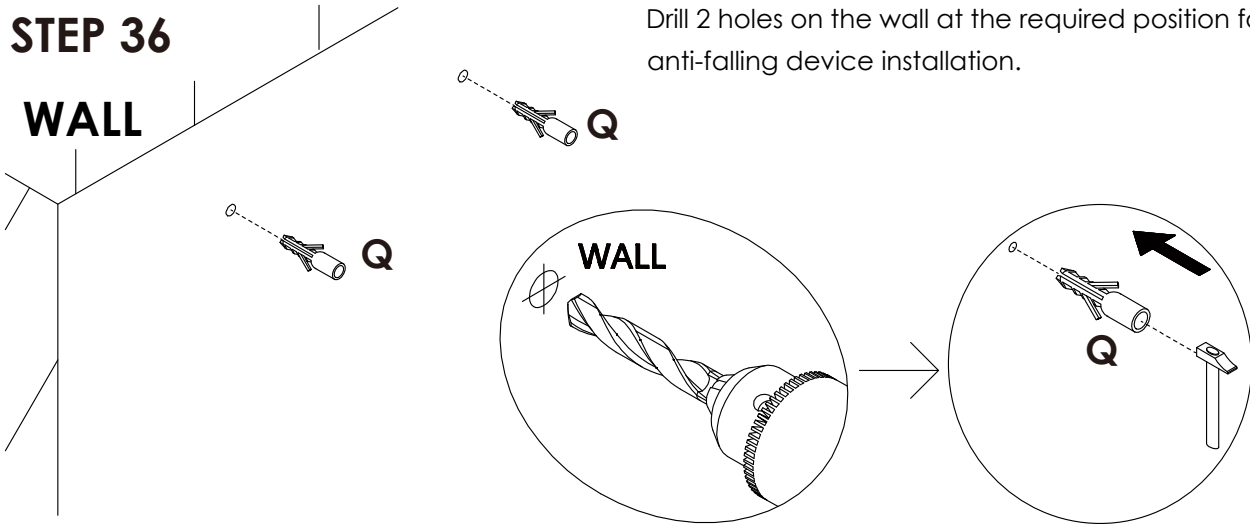


Assembly Steps(EN) / Montageschritte(DE)

STEP 36

WALL

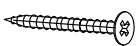
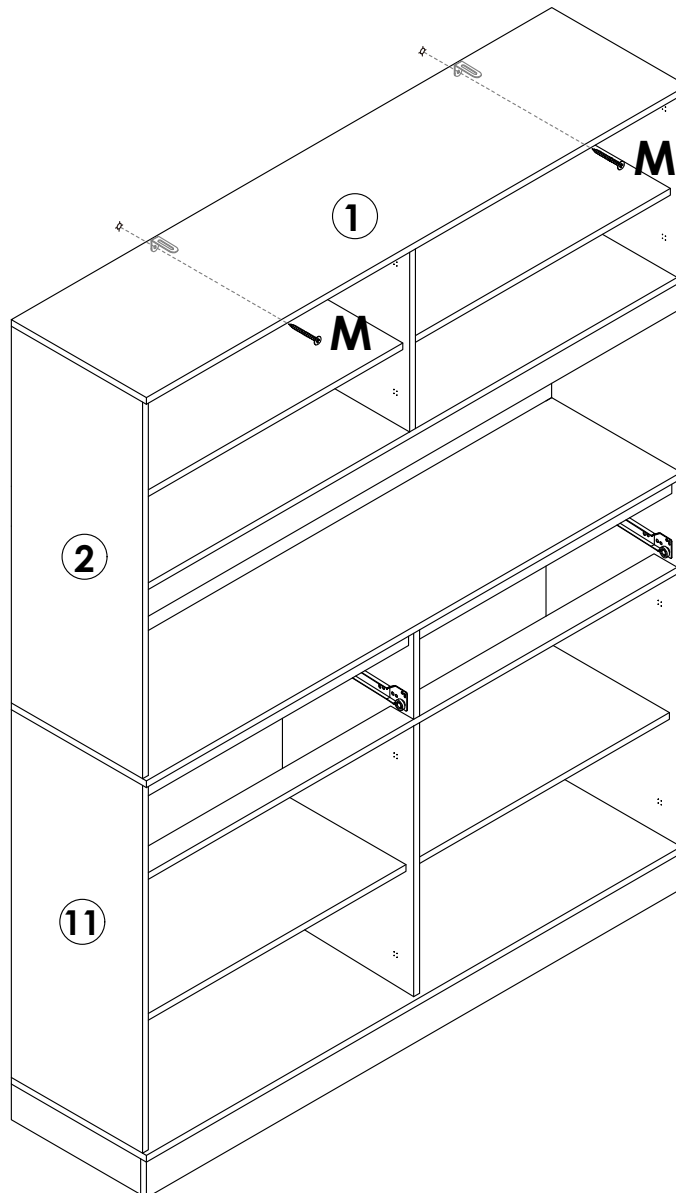
Drill 2 holes on the wall at the required position for anti-falling device installation.



Qx 2PCS

STEP 37

Move the cabinet to the required position, use the "M" long screw to fix the cabinet to the wall.

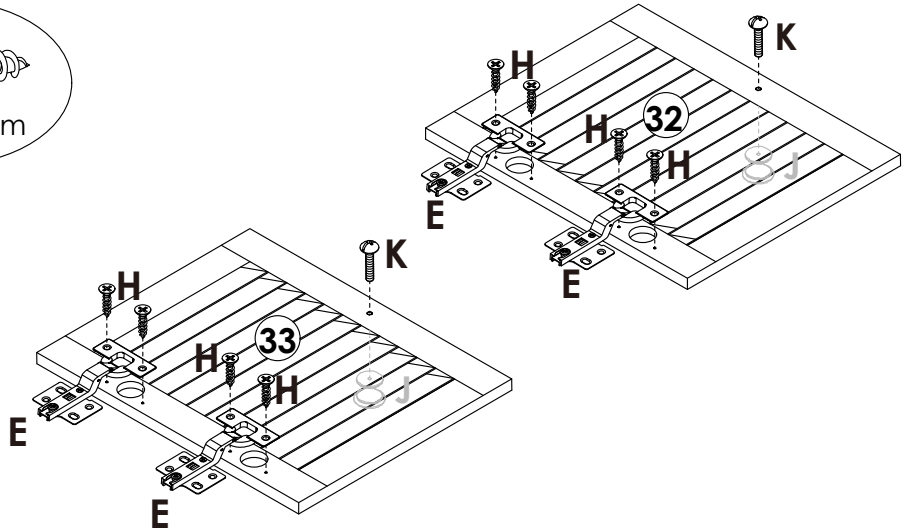
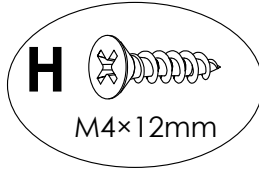


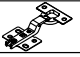



Mx 2PCS

Assembly Steps(EN) / Montageschritte(DE)

STEP 38

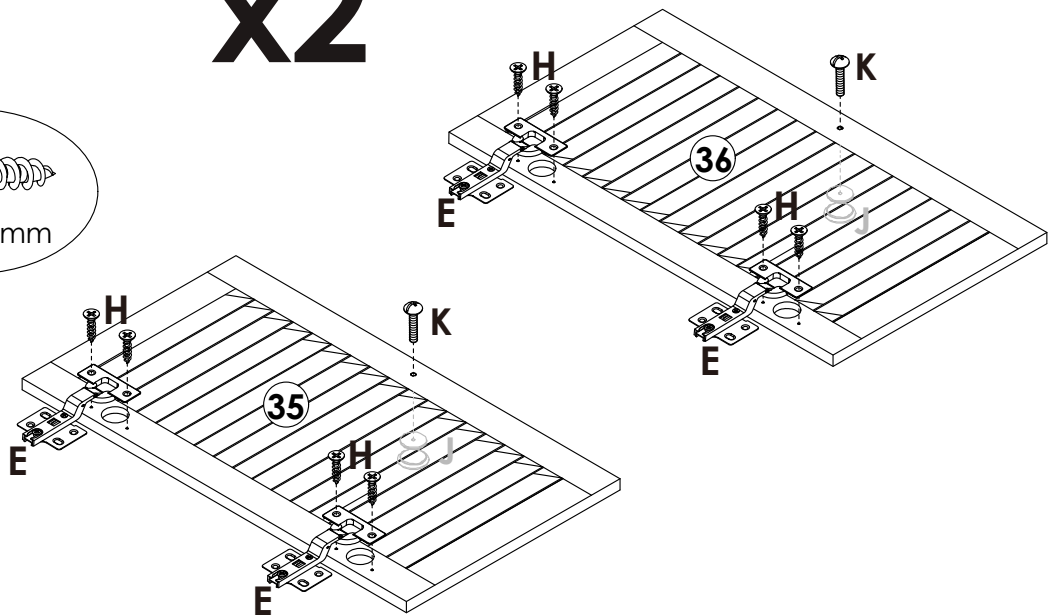
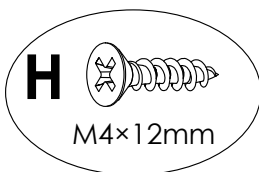
x2

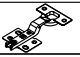





	E x 8PCS
	H x 16PCS
	J x 4PCS
	K x 4PCS

STEP 39

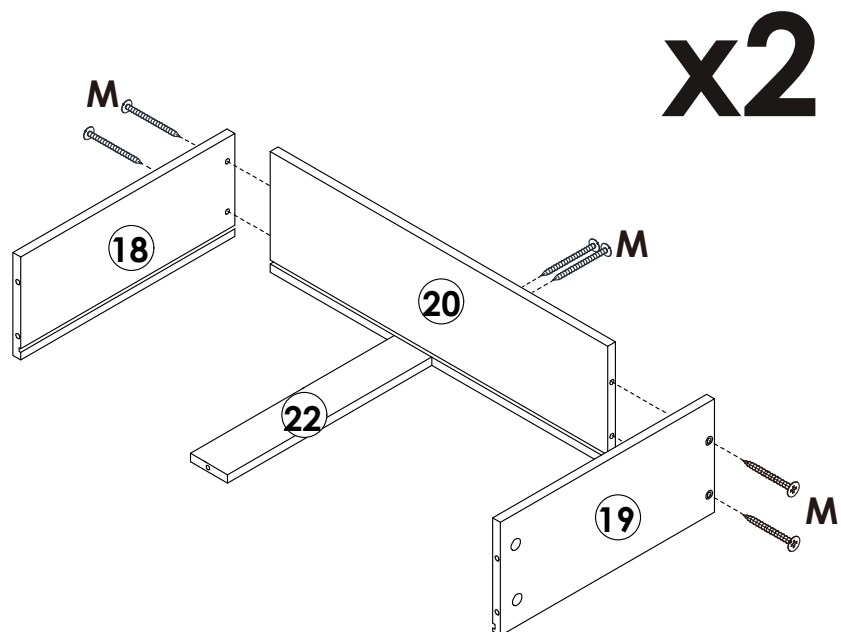
x2

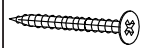


	E x 8PCS
	H x 16PCS
	J x 4PCS
	K x 4PCS

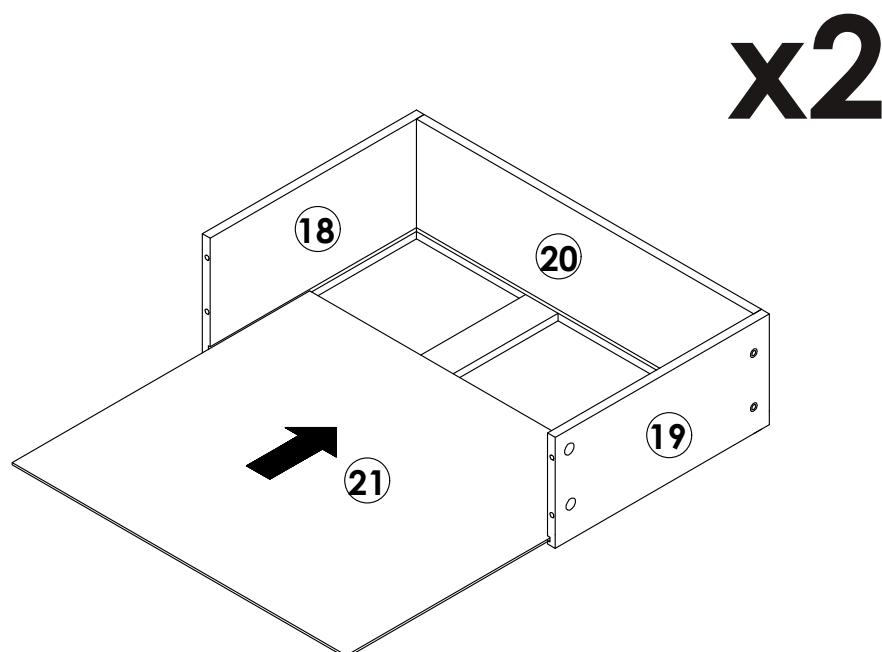
Assembly Steps(EN) / Montageschritte(DE)

STEP 40



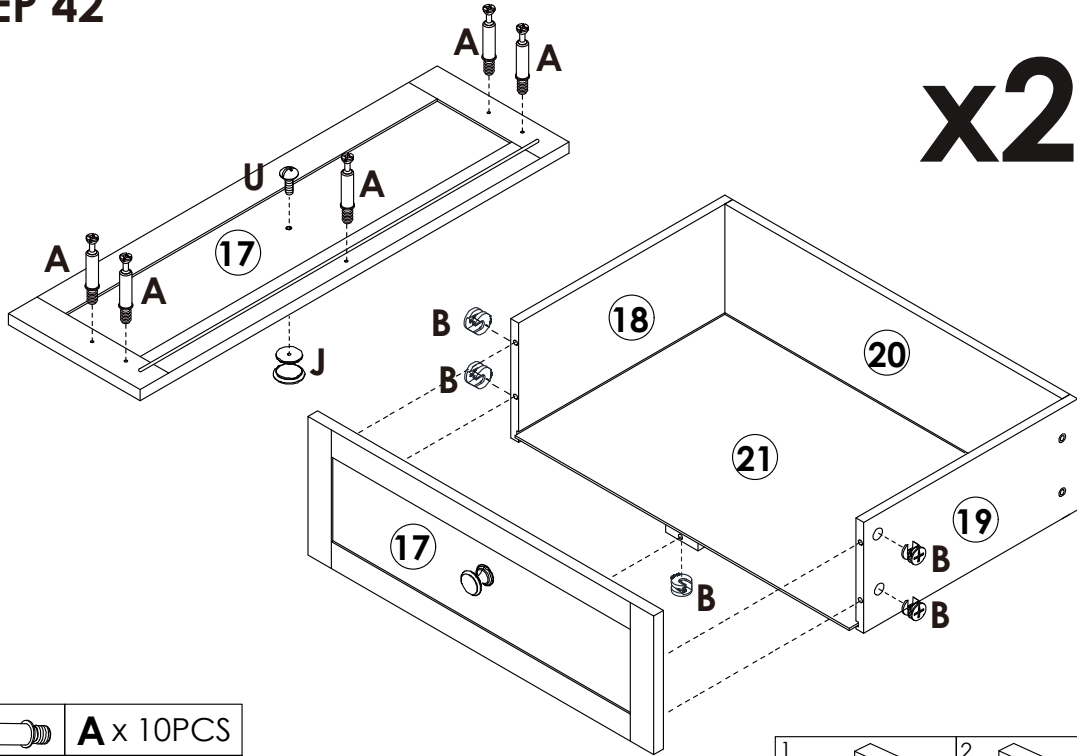
 M x 12PCS

STEP 41

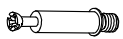





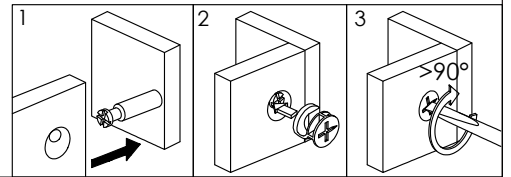
Assembly Steps(EN) / Montageschritte(DE)

STEP 42

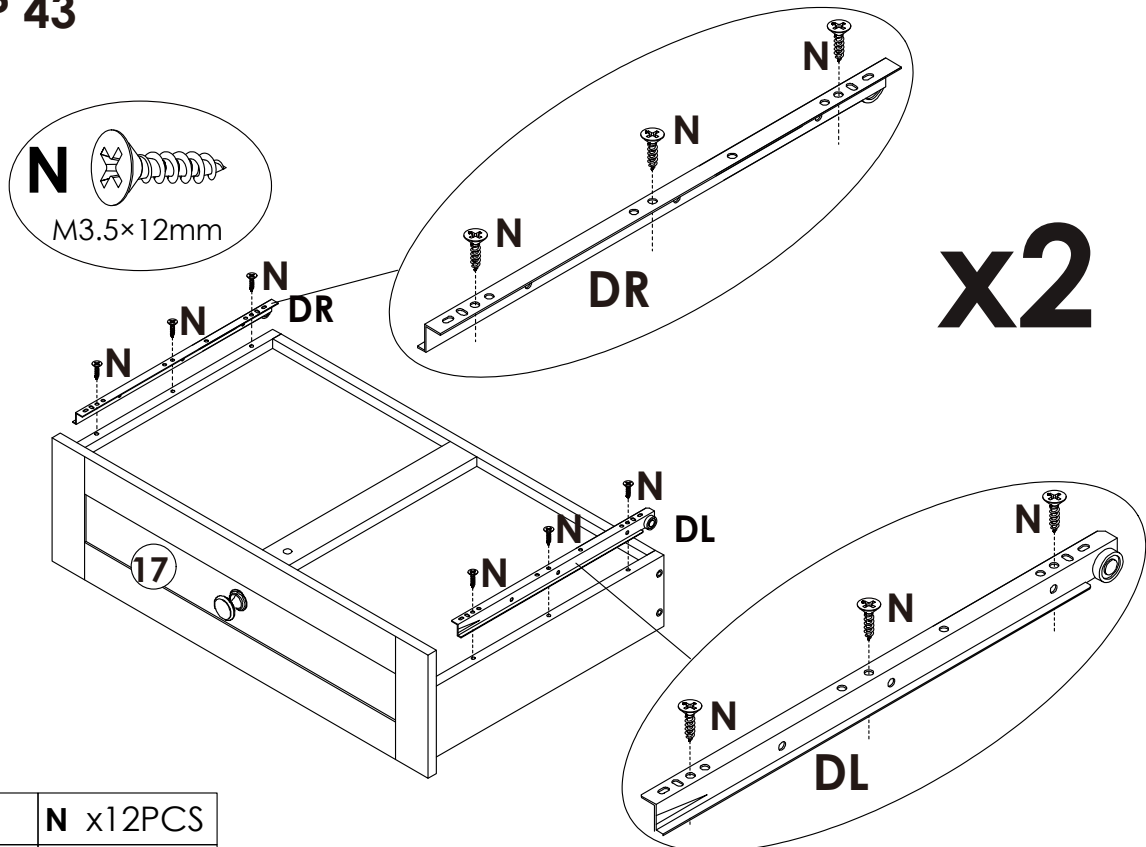


x2

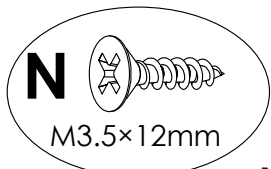
	A x 10PCS
	B x 10PCS
	J x 2PCS
	U x 2PCS






STEP 43



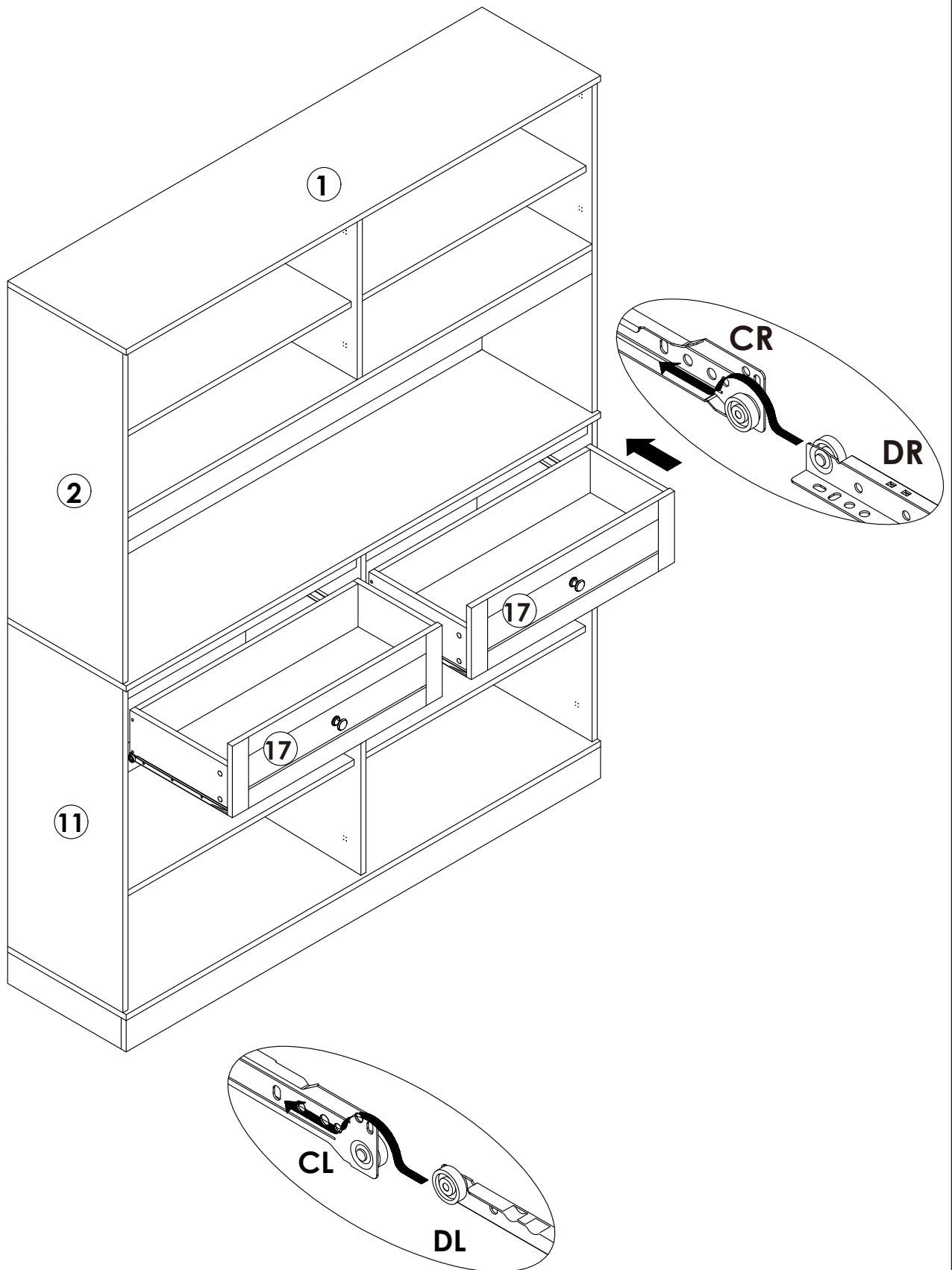
x2



	N x12PCS
	DL x 2PCS
	DR x 2PCS

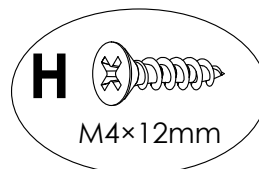
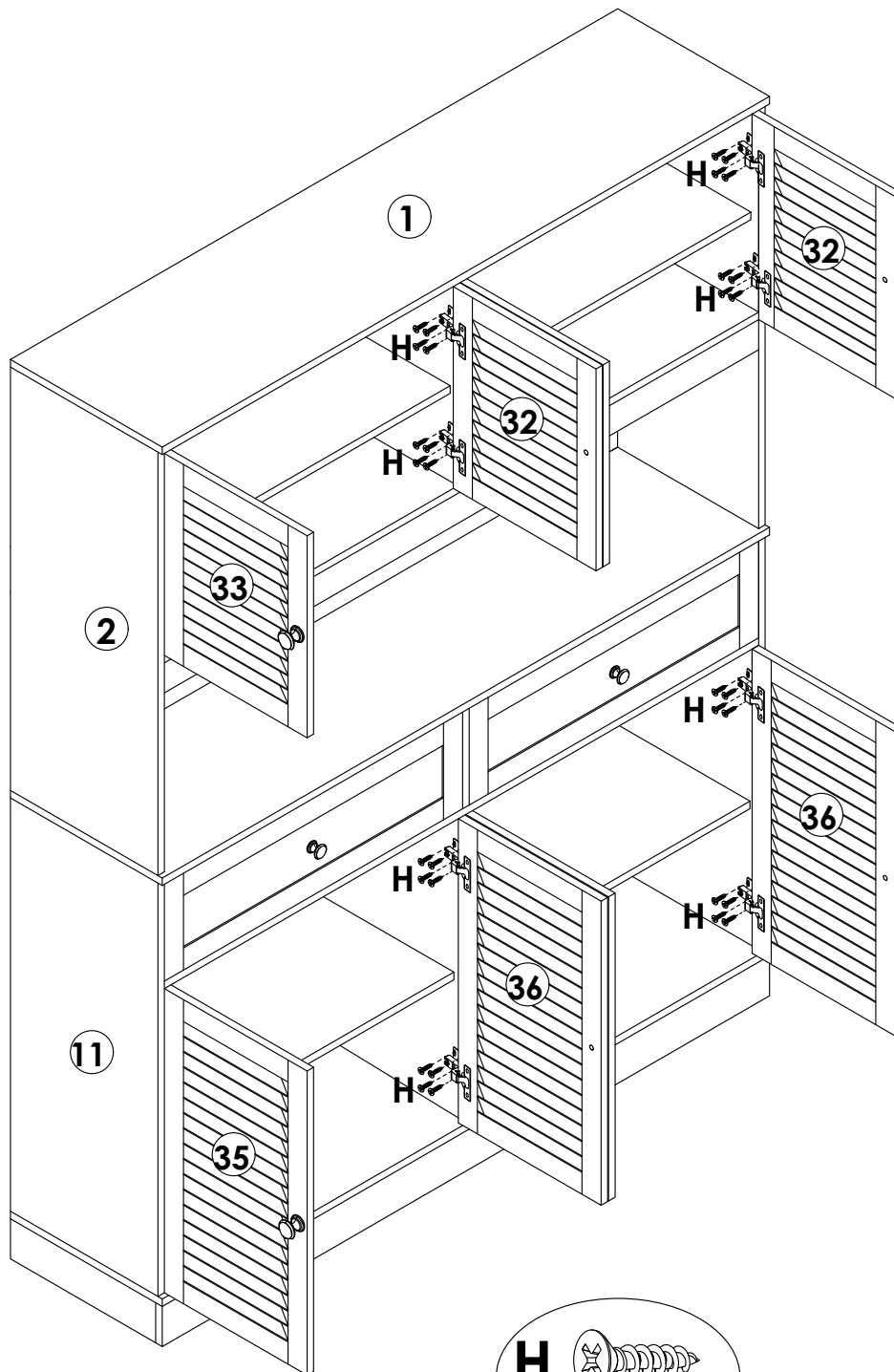
Assembly Steps(EN) / Montageschritte(DE)


STEP 44



Assembly Steps(EN) / Montageschritte(DE)

STEP 45

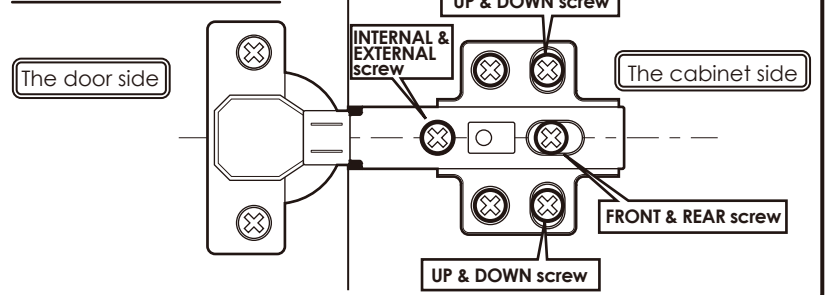


 **H** x 64PCS

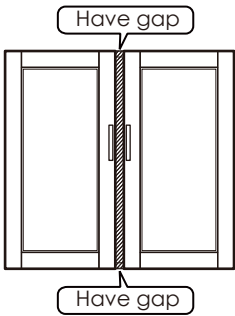
The ways to adjust the door

- Before adjusting the hinge, please check whether the cabinet is skewed.
- If the skew can not be repaired, please remove the anti-tipping device first, then adjust the cabinet to vertical position.
- Please adjust the hinge with the door open.
- Please operate it with more than 2 people, one person holds the door and the other one adjusts the screw.

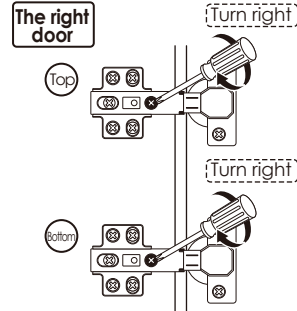
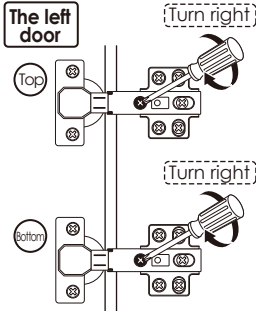
Components Name



Obvious gaps between doors or Doors don't look closed



1 Turn "internal & external screw" to the right can make the door approach inside. Please adjust the doors little by little.



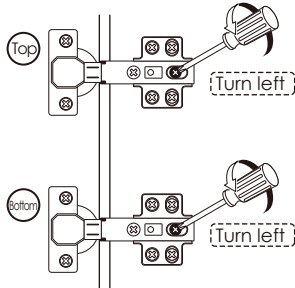
※ If the 2 doors are overlap, please turn the "internal & external screw" to the left.

When door is crooked



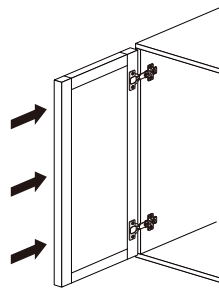
Please take the following steps to adjust first.

1 Rotate the "front and rear screws" to the left

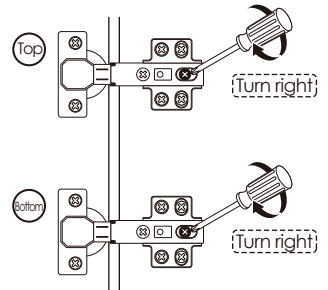


※ After adjusting the "front and rear screw", the door still does not change, please turn the "internal & external screw" to the right slightly.

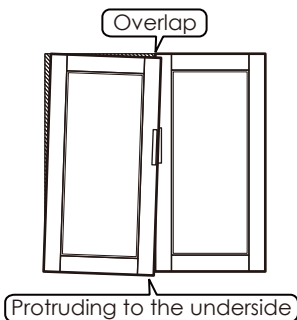
2 Push the door to the cabinet



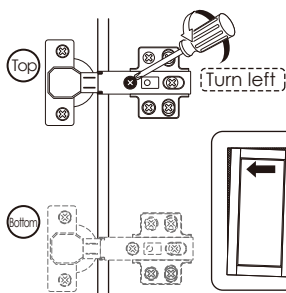
3 Rotate the "front and rear screws" to the right



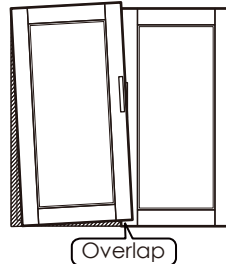
When door is leaning



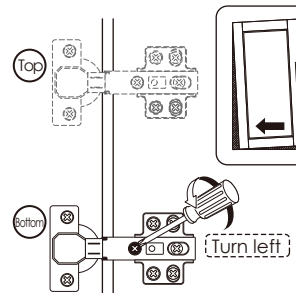
1 Turn "internal & external screw" to the left can make the top of the door tilted outward.



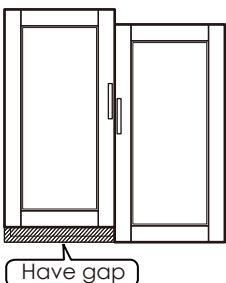
Protruding to the upside



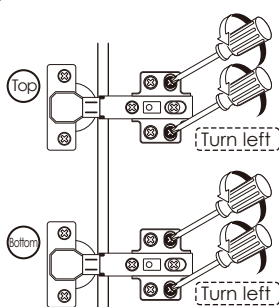
1 Turn "internal & external screw" to the left can make the bottom of the door tilted outward.



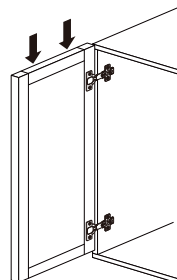
When the door is higher on top



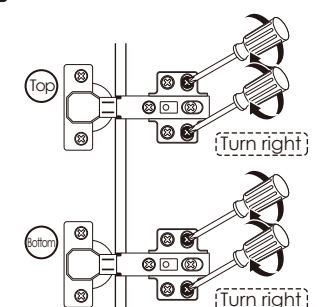
1 Turn "up & down screw" to the left



2 Lower the door's height so that 2 doors are of the same height.



3 Turn "up & down screw" to the right



※ If the door is lower on bottom, please lift up the left door slightly on step 2



WARNING



Children have died from furniture tipover. To reduce the risk of furniture tipover:

- **ALWAYS** install Anti-tip device provided.
- **NEVER** put a TV on this product.
- **NEVER** allow children to stand, climb or hang on any drawers, doors, or shelves.
- **NEVER** open more than one drawer at a time.
- Place heaviest items in the lowest drawers.



***This is a permanent label.
Do not remove!***