

ASSEMBLY INSTRUCTIONS

! "IMPORTANT, RETAIN FOR FUTURE REFERENCE: READ CAREFULLY"

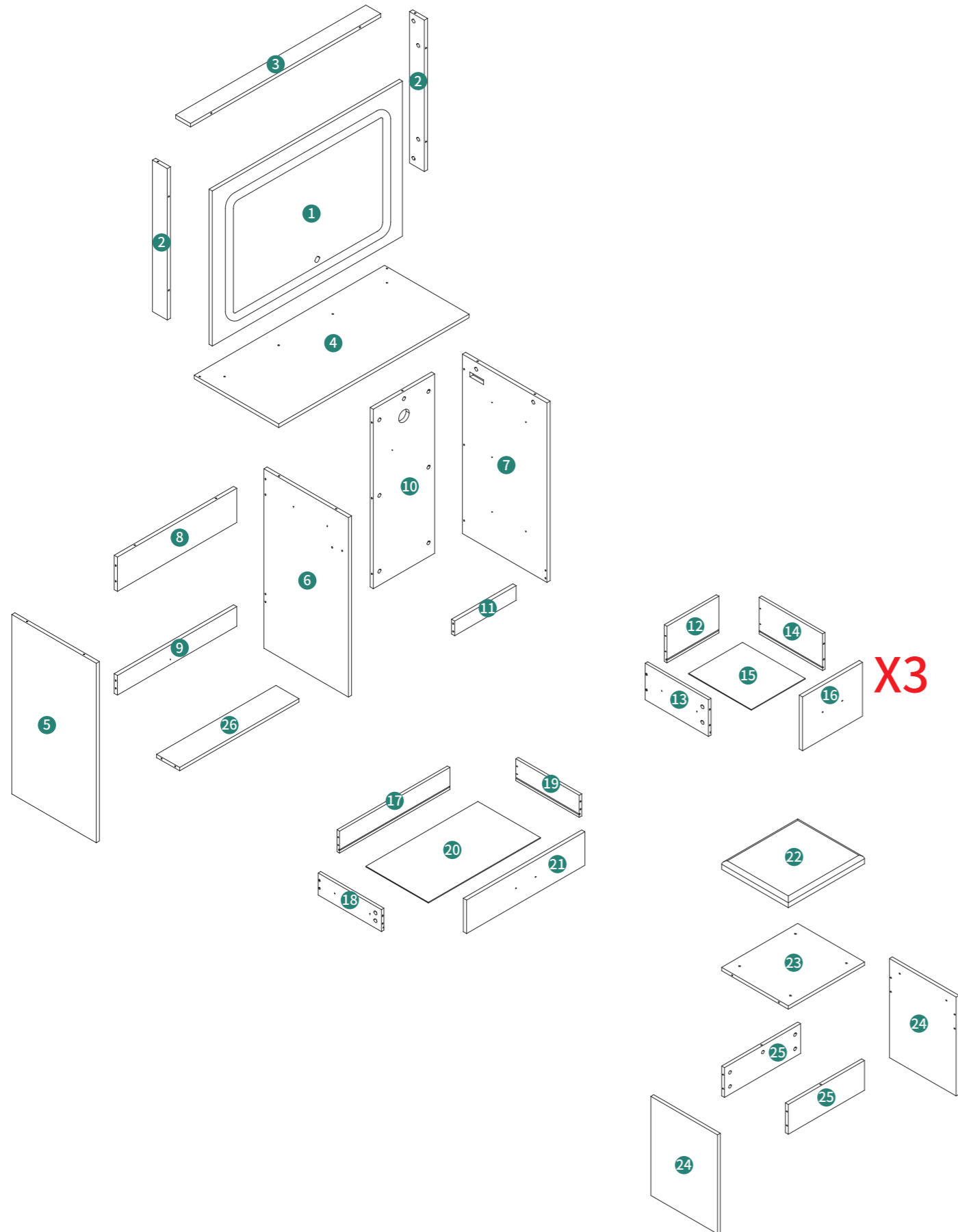
1. Two or more people are needed to complete the installation.
2. Please protect the wires and remote control accessories from damage during installation.
3. Professional installation is highly recommended.
4. Assemble on a flat, clean and soft surface.

Item no.	Reference Image	Qty.	Item no.	Reference Image	Qty.
1		X1	2		X2
3		X1	4		X1
5		X1	6		X1
7		X1	8		X1
9		X1	10		X1
11		X1	12		X3
13		X3	14		X3
15		X3	16		X3
17		X1	18		X1
19		X1	20		X1

ASSEMBLY INSTRUCTIONS

Item no.	Reference Image	Qty.	Item no.	Reference Image	Qty.
21		X1	22		X1
23		X1	24		X2
25		X2	26		X1
A	M4X18mm	X8	B	φ8X30mm	X6
C	ST3.5X25mm	X20	D	ST4X14mm	X4
E	φ15X12mm	X76	F	φ15X9.5mm	X38
G	φ15X12mm	X38	H		X4
I		X8	J		X8
K	ST3.5X12mm	X32	M		X1
N		X1	O		X1
P		X1	Q		X1

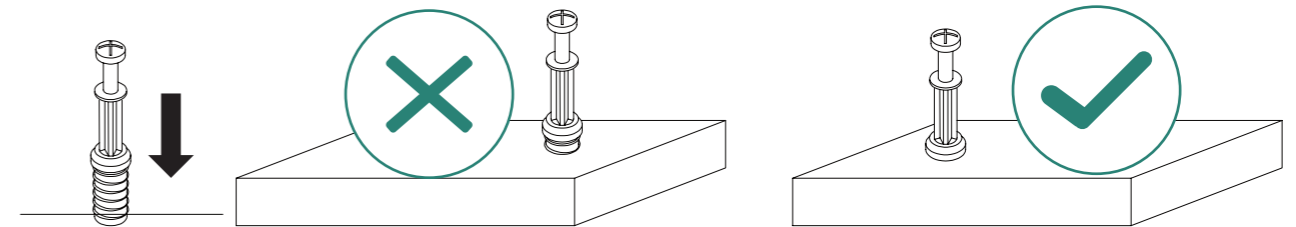
ASSEMBLY INSTRUCTIONS



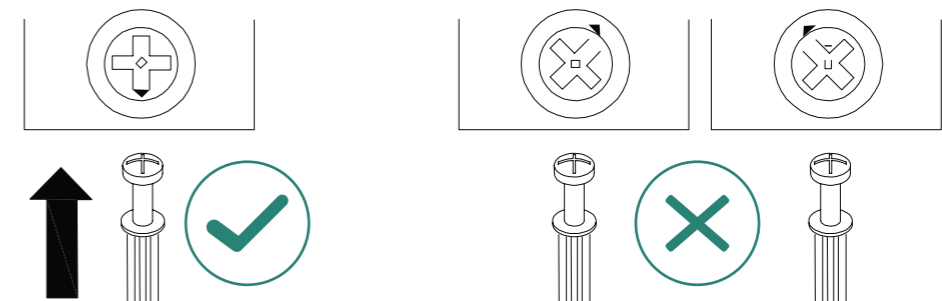
ASSEMBLY INSTRUCTIONS

USING CAM LOCK AND QUICKFIT

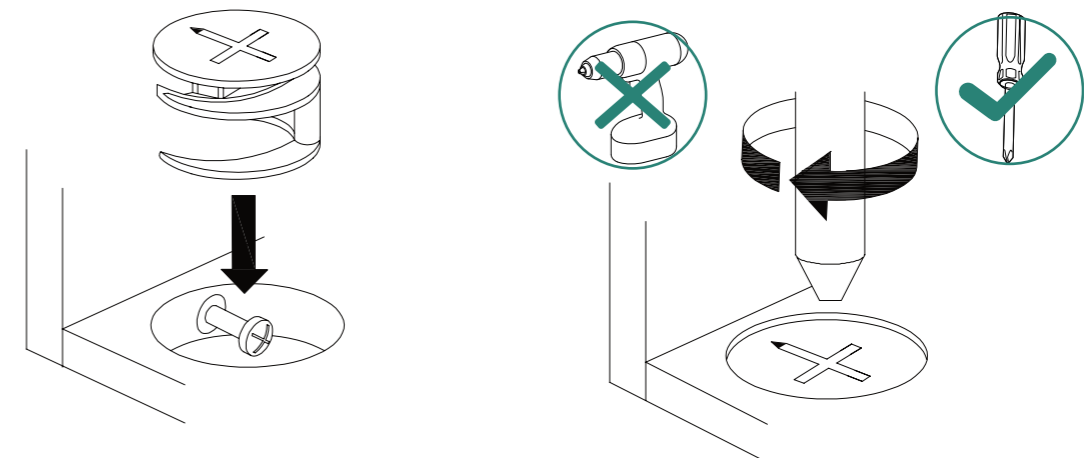
Tighten quickfit until shoulder is flush with panel. Do not overtighten or undertighten.



When fitting cam lock, ensure starting position is correct before you insert connecting quickfit.



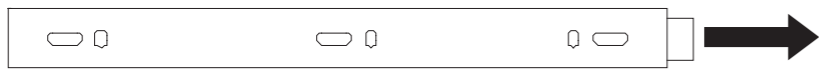
Quickfit head should be in the centre of the cam lock when the two panels are joined.
Cam lock should be inserted before quickfit.
Turn cam lock clockwise to tighten.



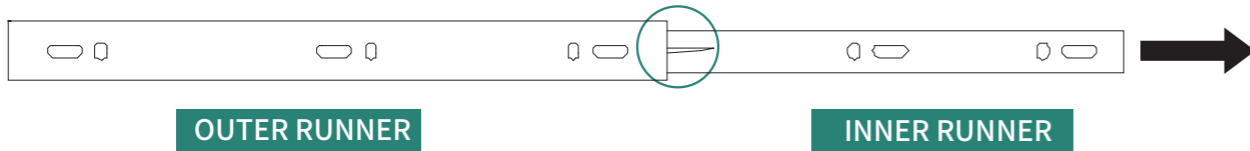
ASSEMBLY INSTRUCTIONS

PRE-FIX DRAWER RUNNER INSTRUCTIONS

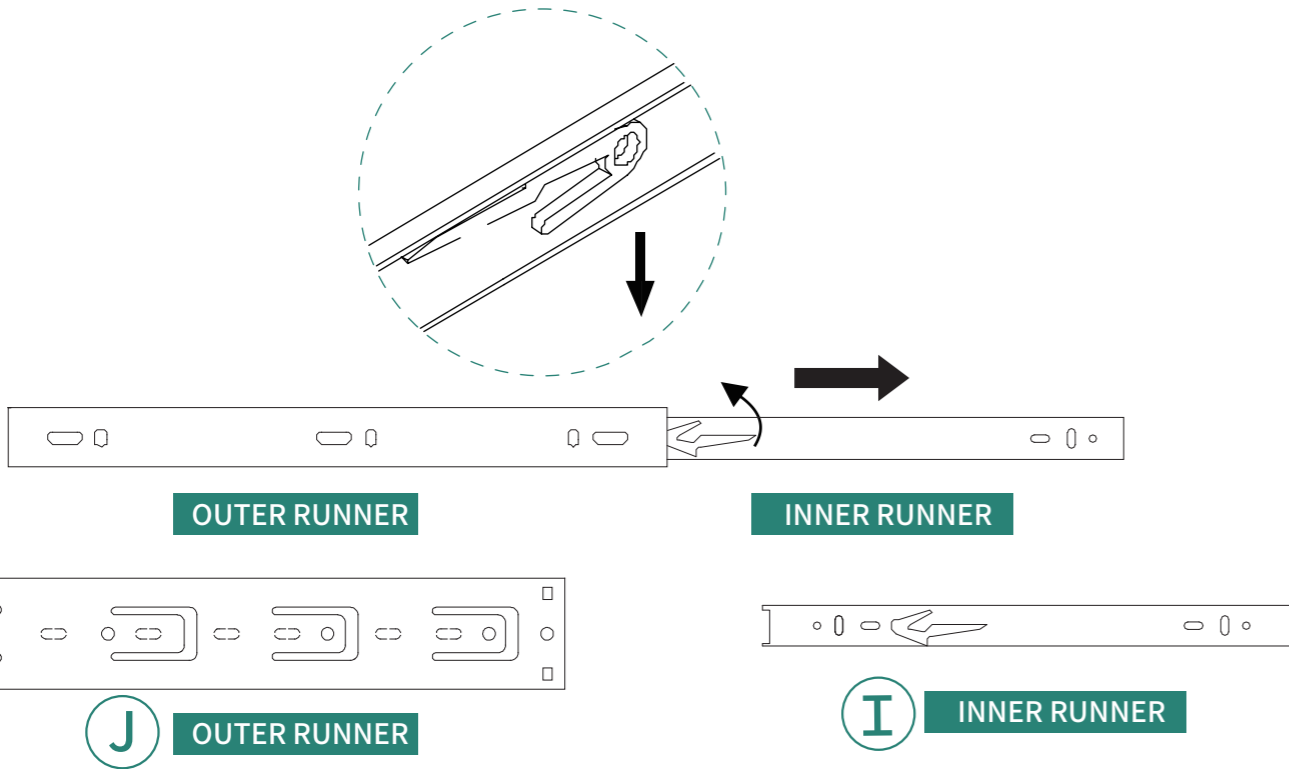
Pull inner and outer drawer runners apart before fixing them to panels.



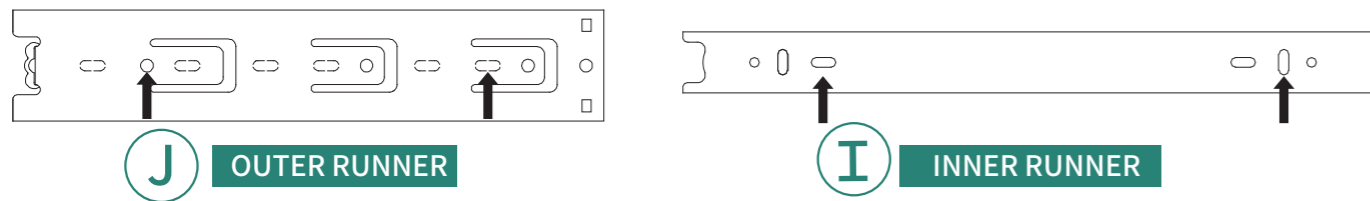
Slide drawer runners apart until the drawer lock can be seen, as shown.



Press and hold the drawer runner lock and then continue to slide drawer runners apart, as shown.

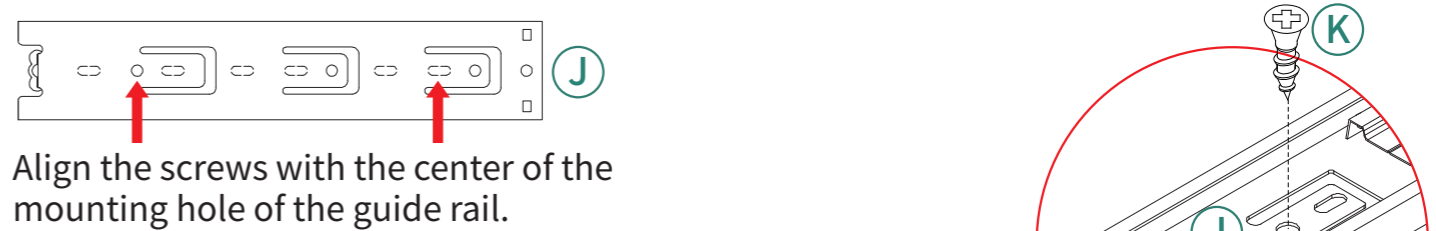
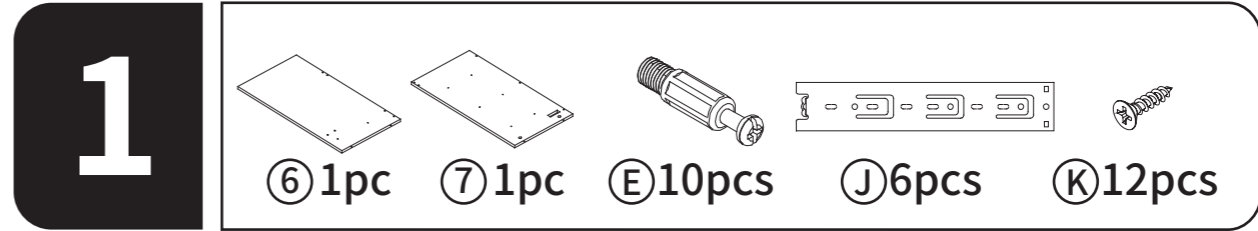


Your inner and outer drawer runners are ready to be fixed to panels.

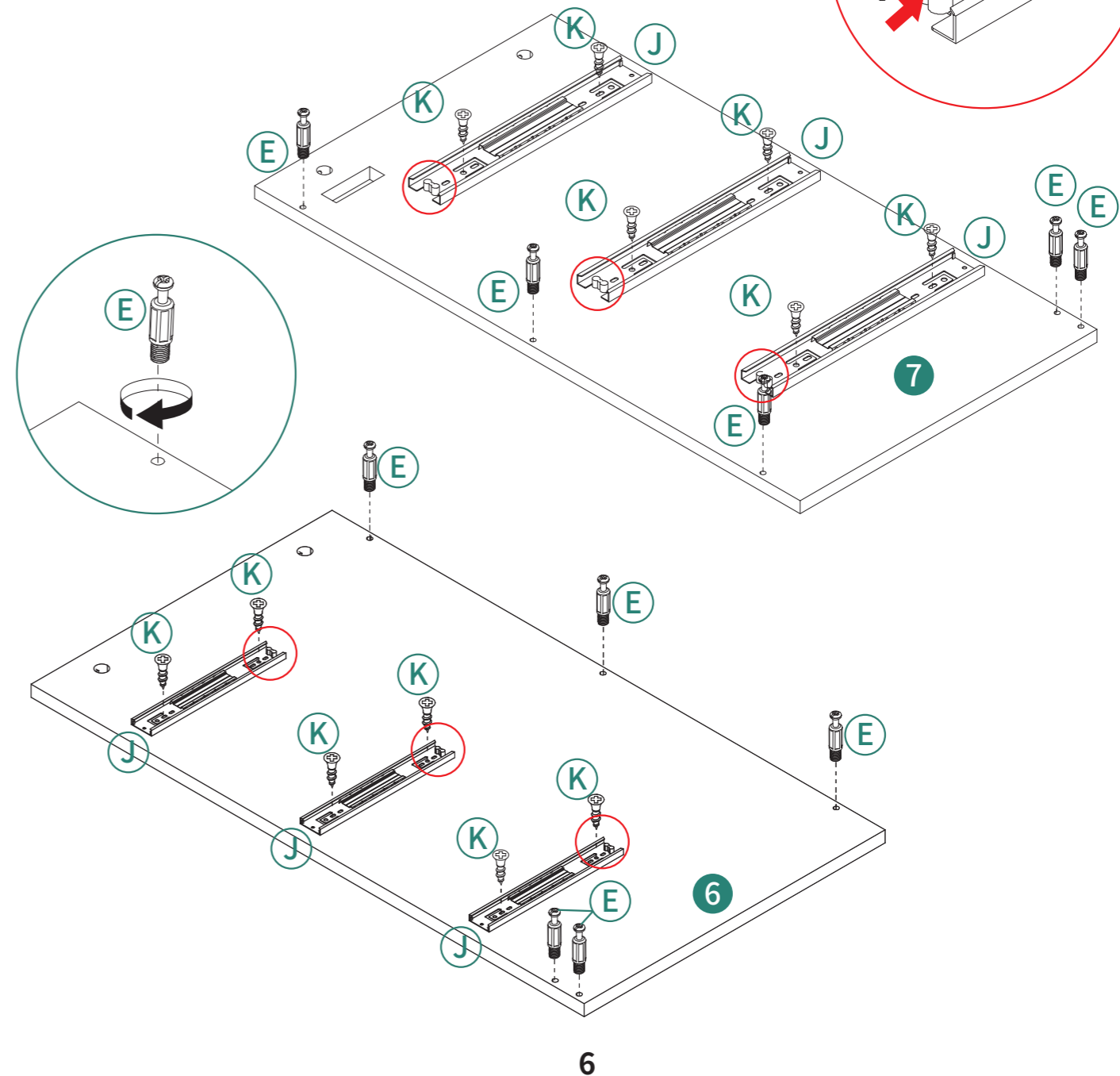


! When installing the outer guide rail, please use the guide rail notch to assemble towards the inner direction of the drawer. Please fix the screws according to the marked position. If the installed position is changed, adjust it side-to-side at the marked position.

ASSEMBLY INSTRUCTIONS



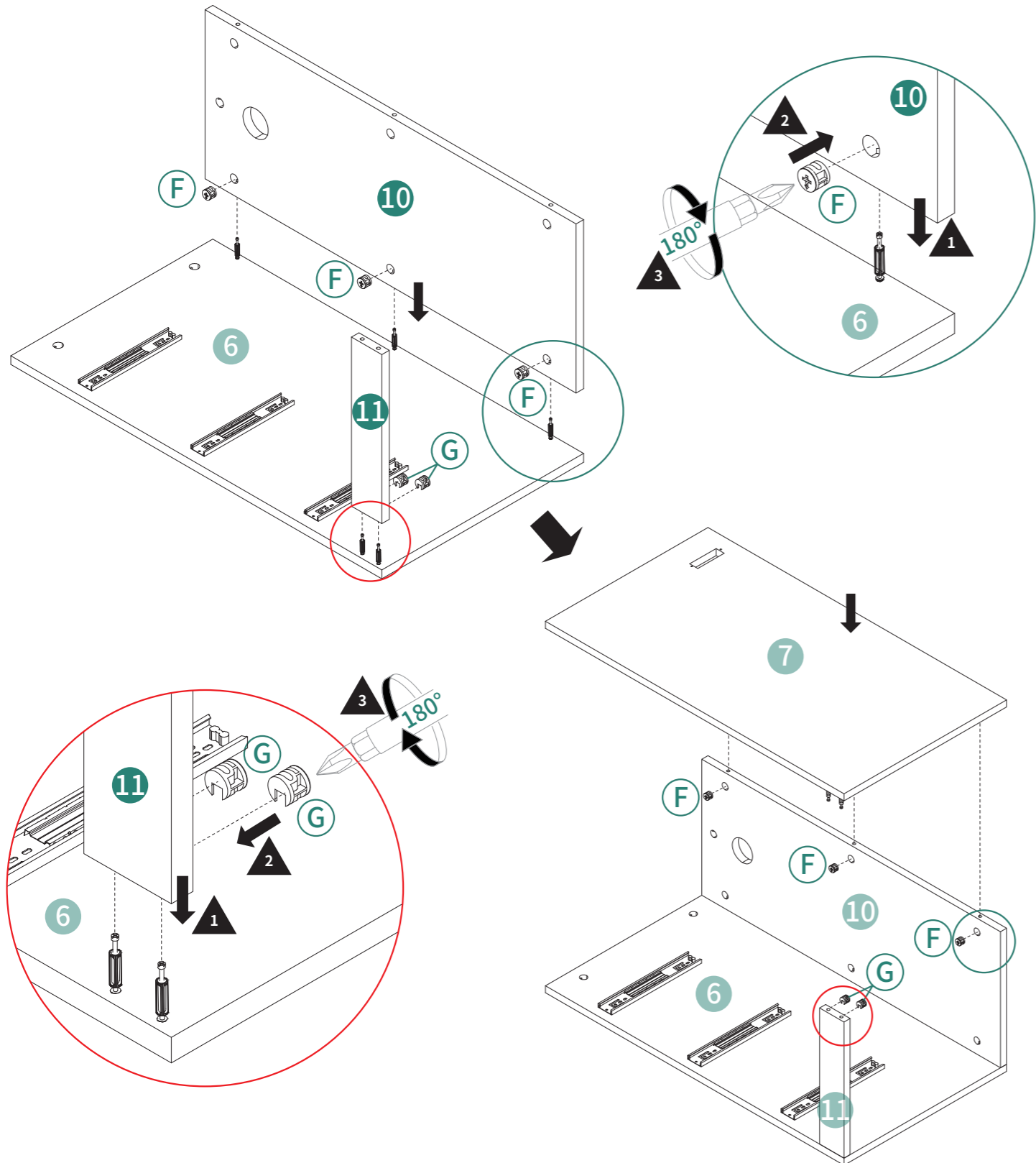
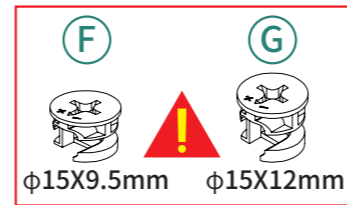
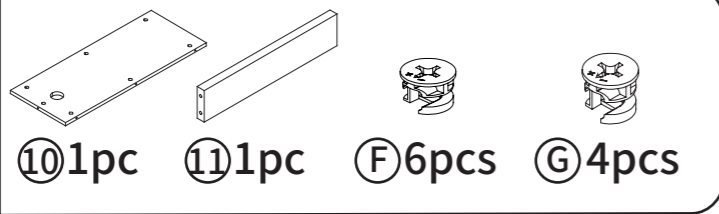
Align the screws with the center of the mounting hole of the guide rail.



ASSEMBLY INSTRUCTIONS

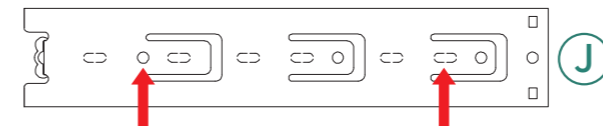
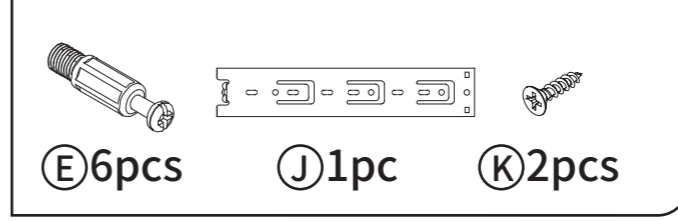
ASSEMBLY INSTRUCTIONS

2

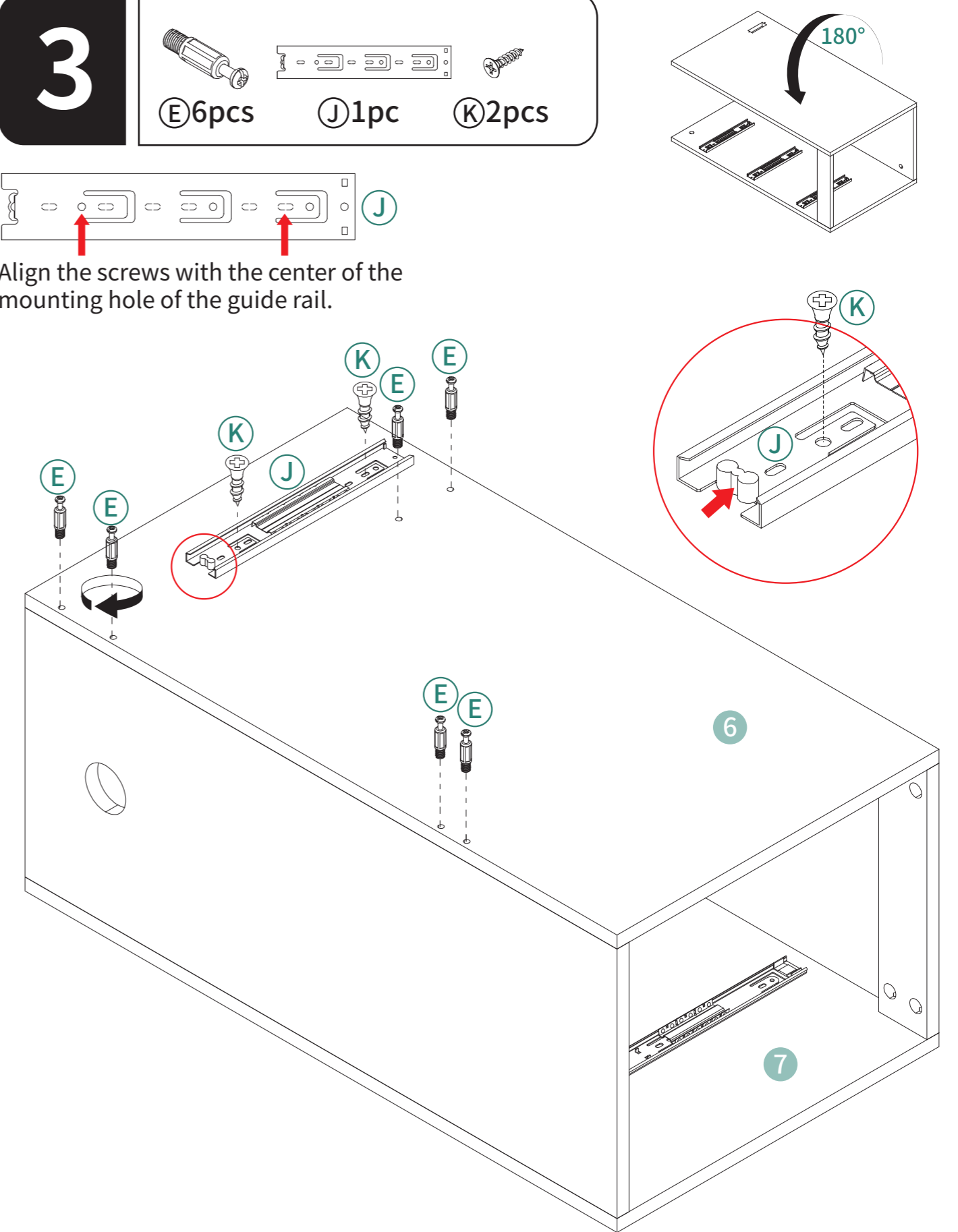


7

3



Align the screws with the center of the mounting hole of the guide rail.

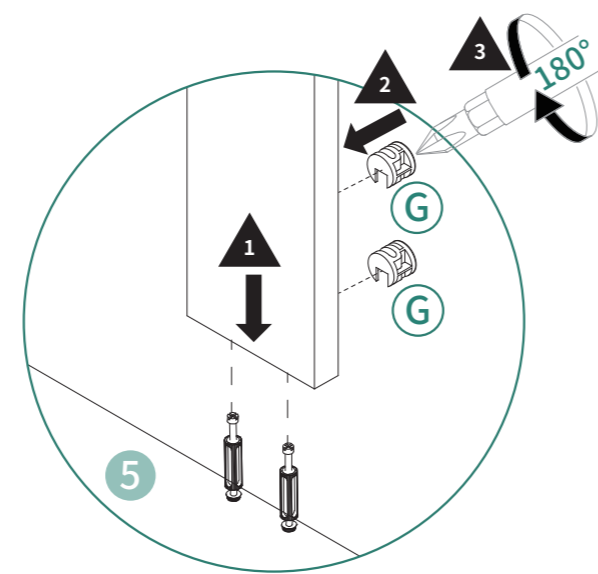
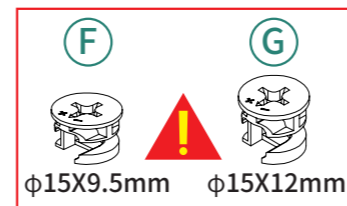
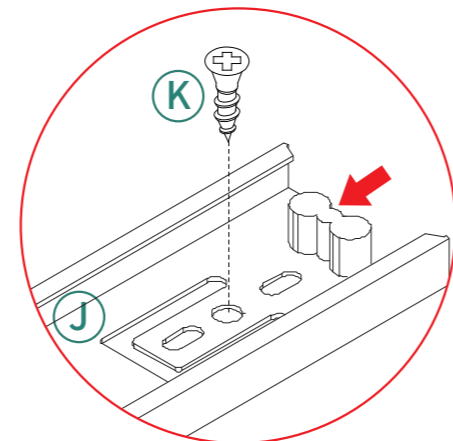
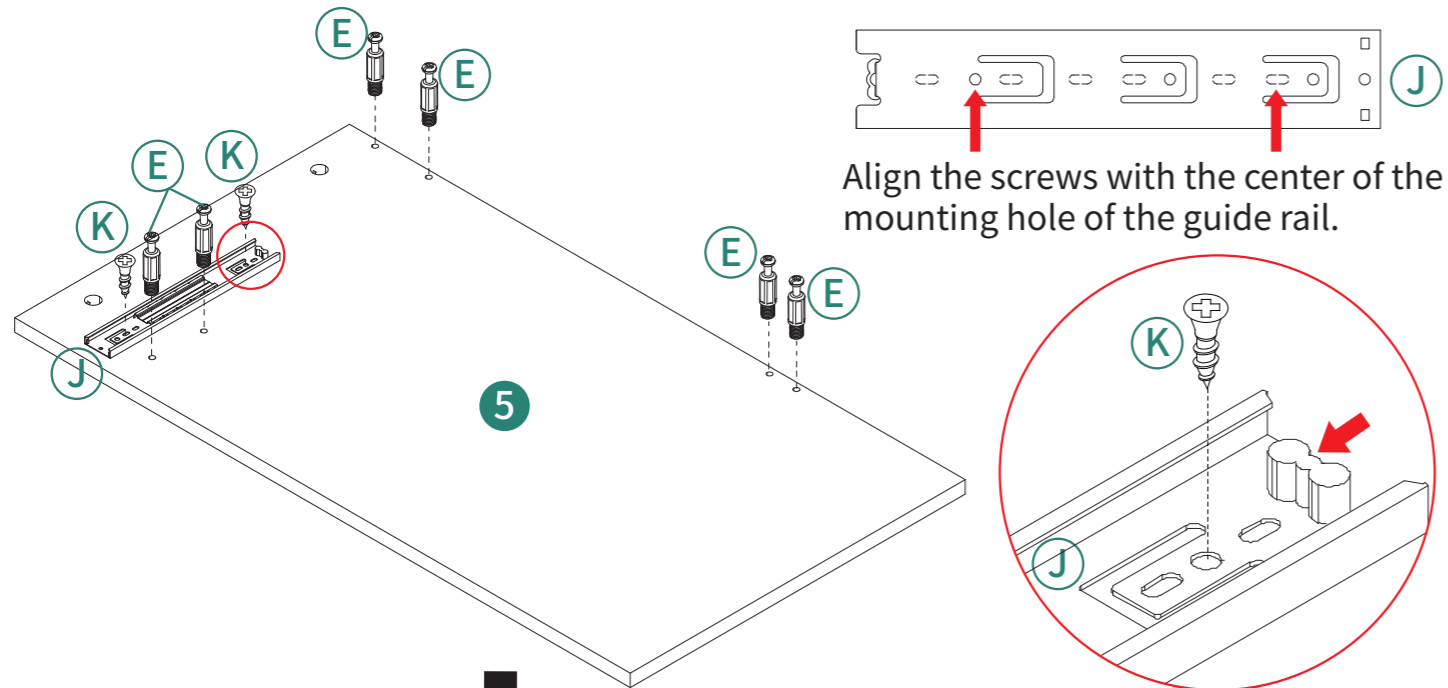
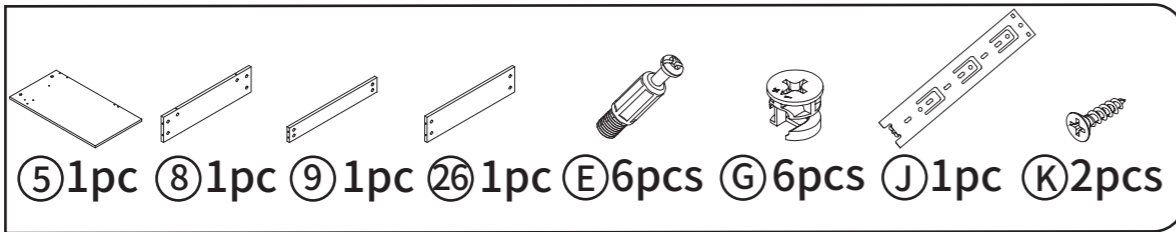


8

ASSEMBLY INSTRUCTIONS

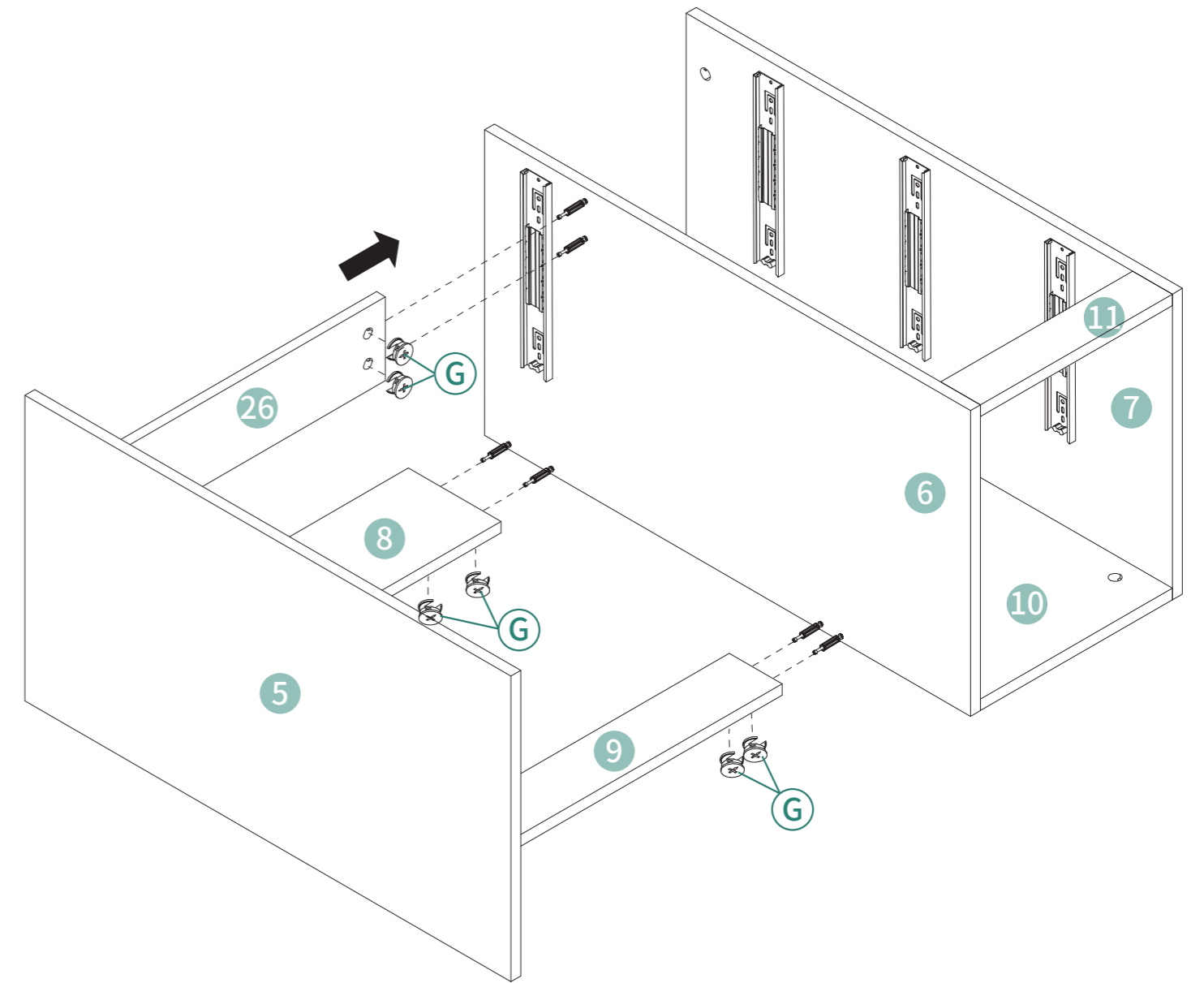
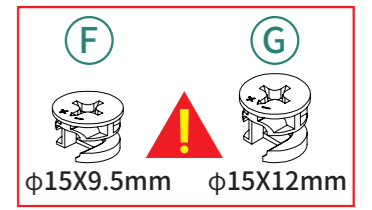
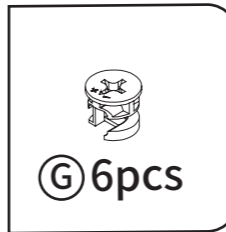
ASSEMBLY INSTRUCTIONS

4



9

5



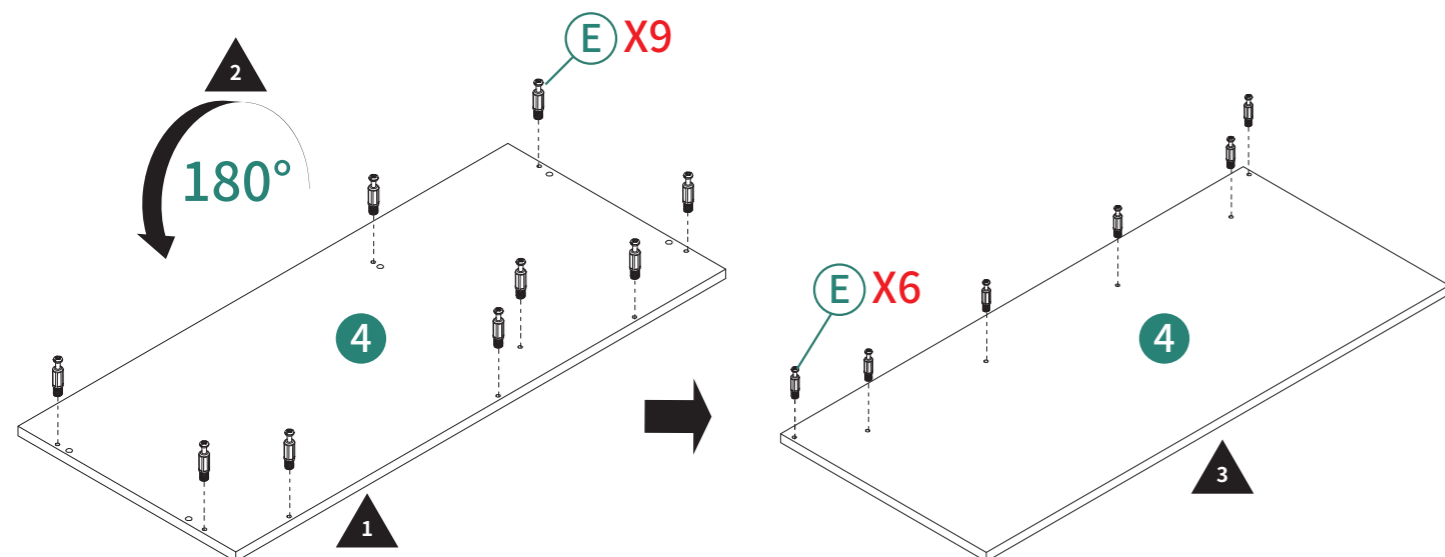
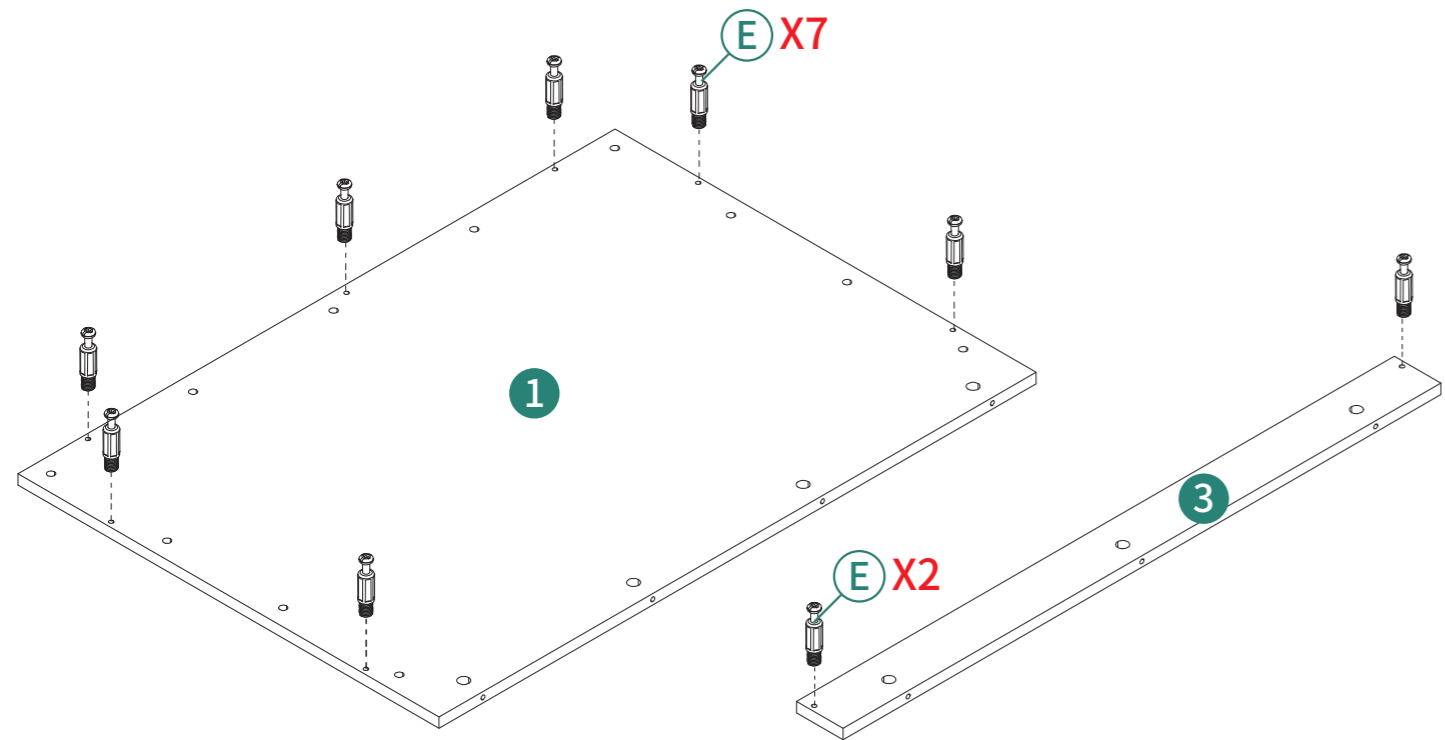
10

ASSEMBLY INSTRUCTIONS

ASSEMBLY INSTRUCTIONS

6

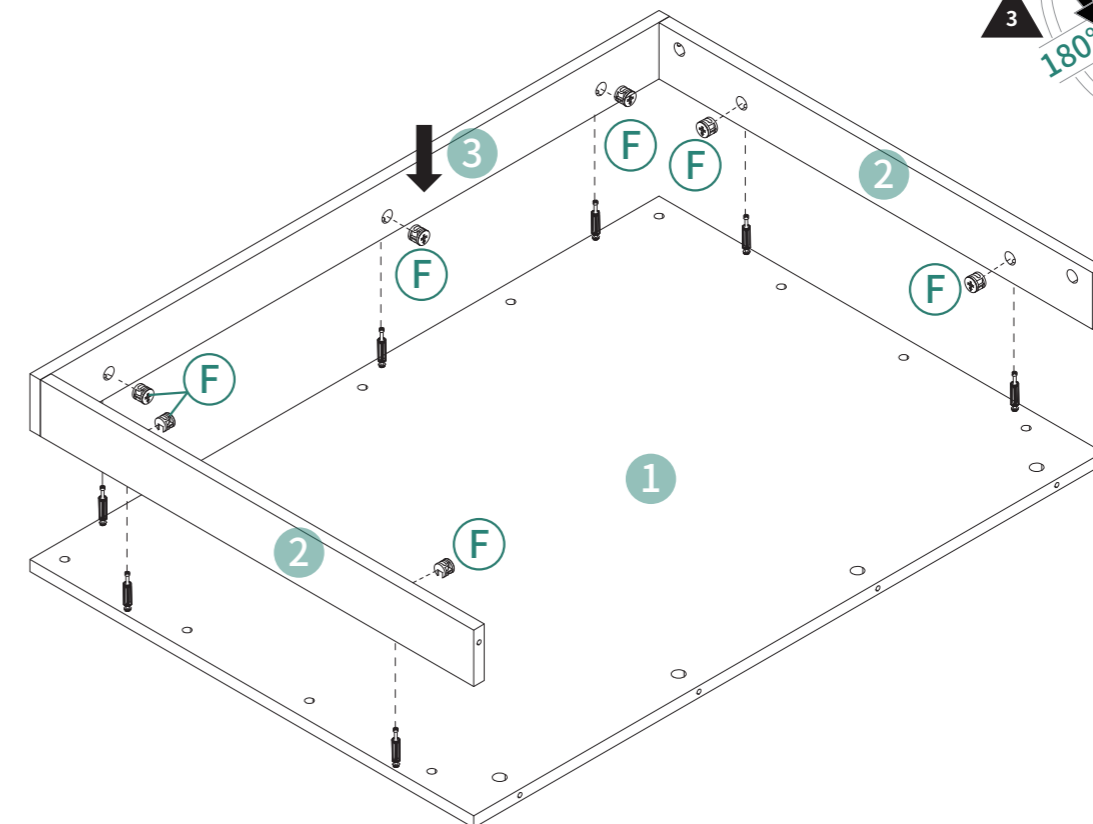
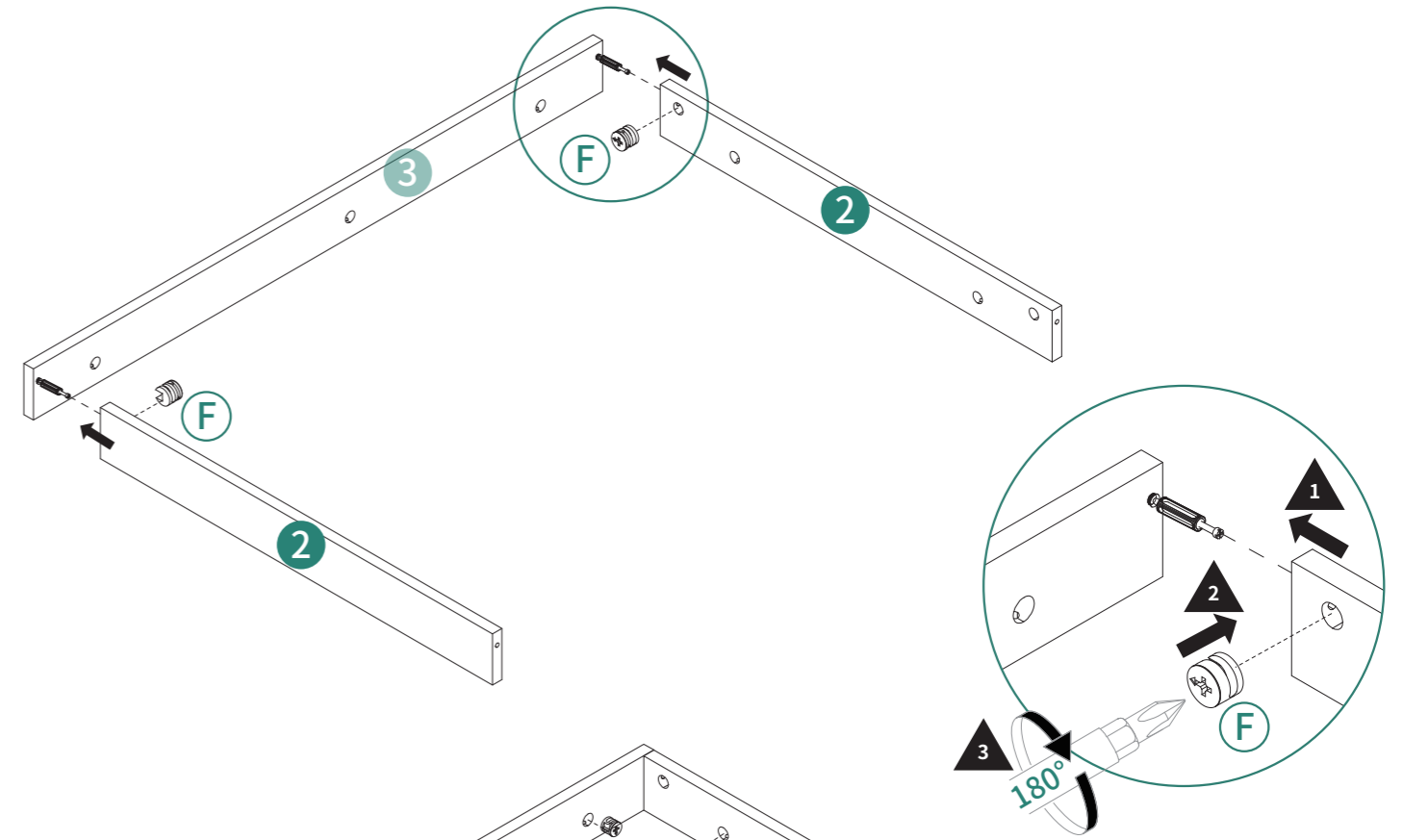
① 1pc ③ 1pc ④ 1pc ⑤ 24pcs



7

② 2pcs ⑥ 9pcs

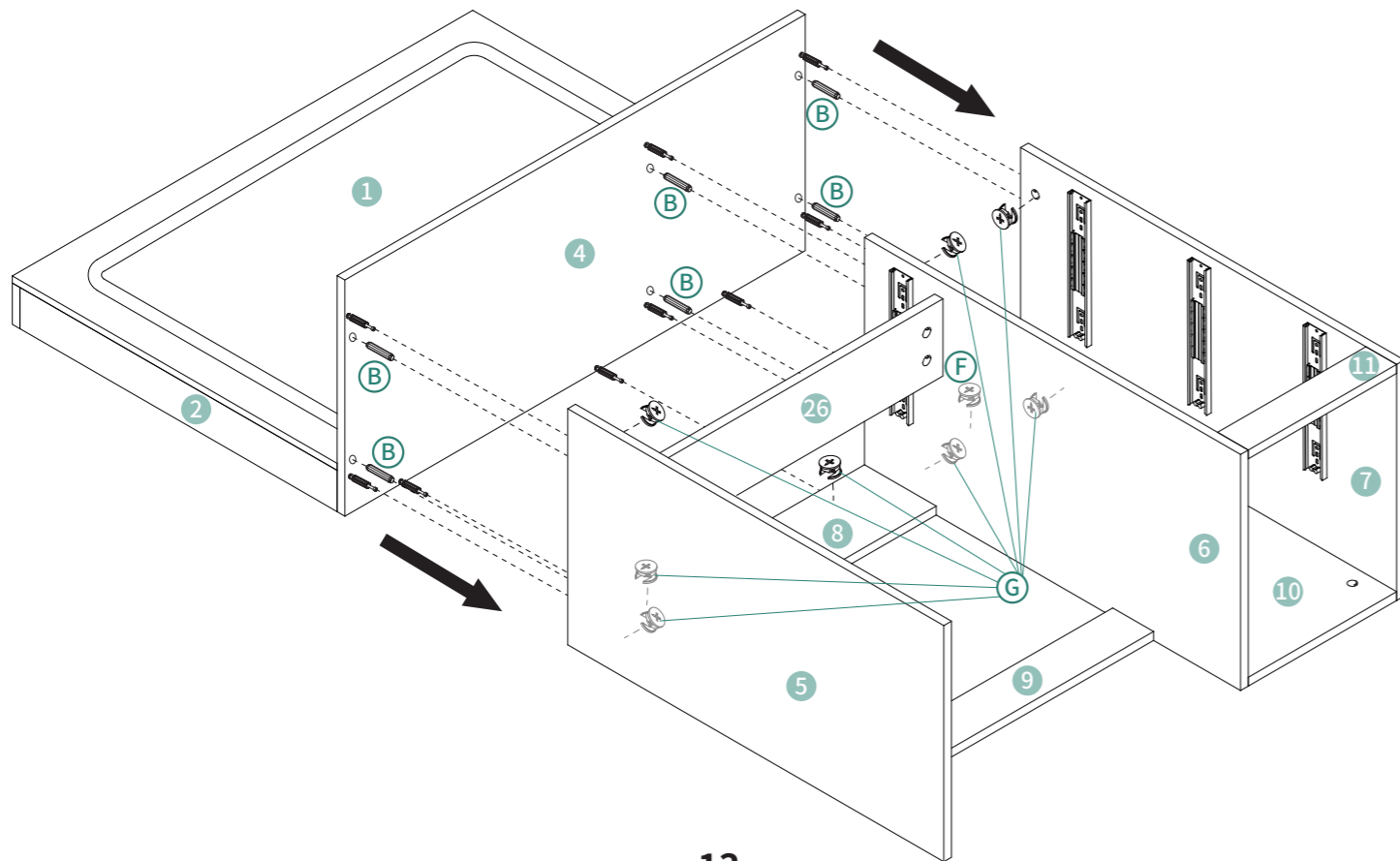
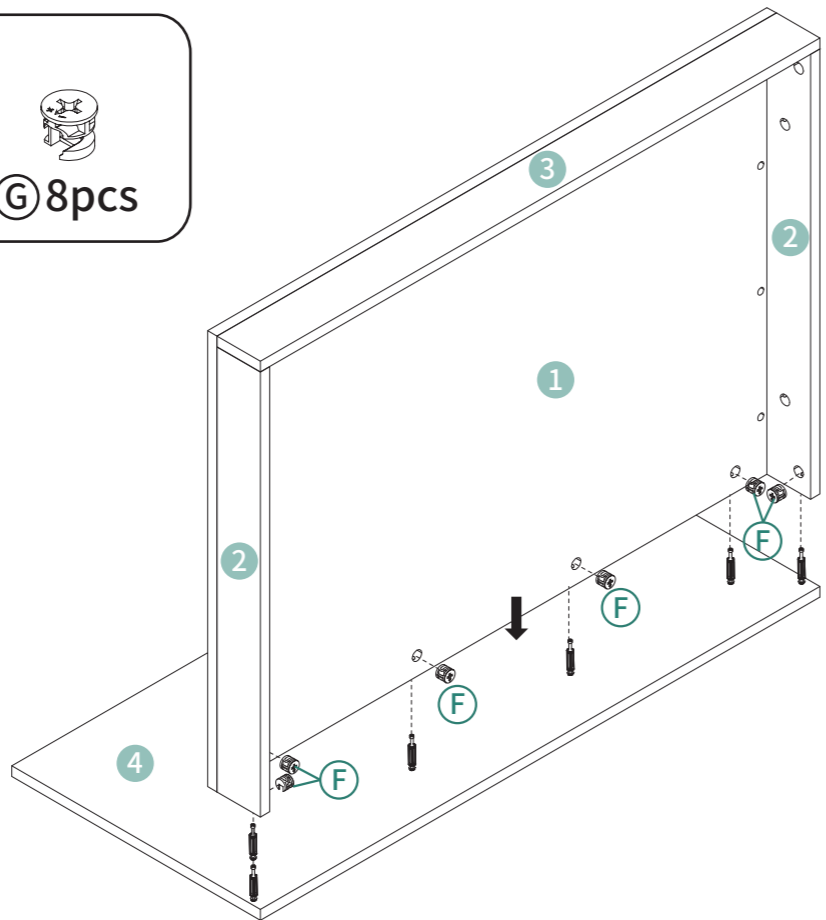
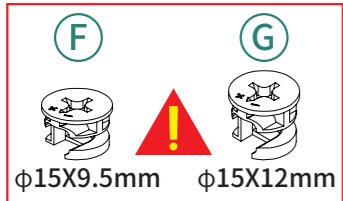
φ15X9.5mm φ15X12mm



ASSEMBLY INSTRUCTIONS

8

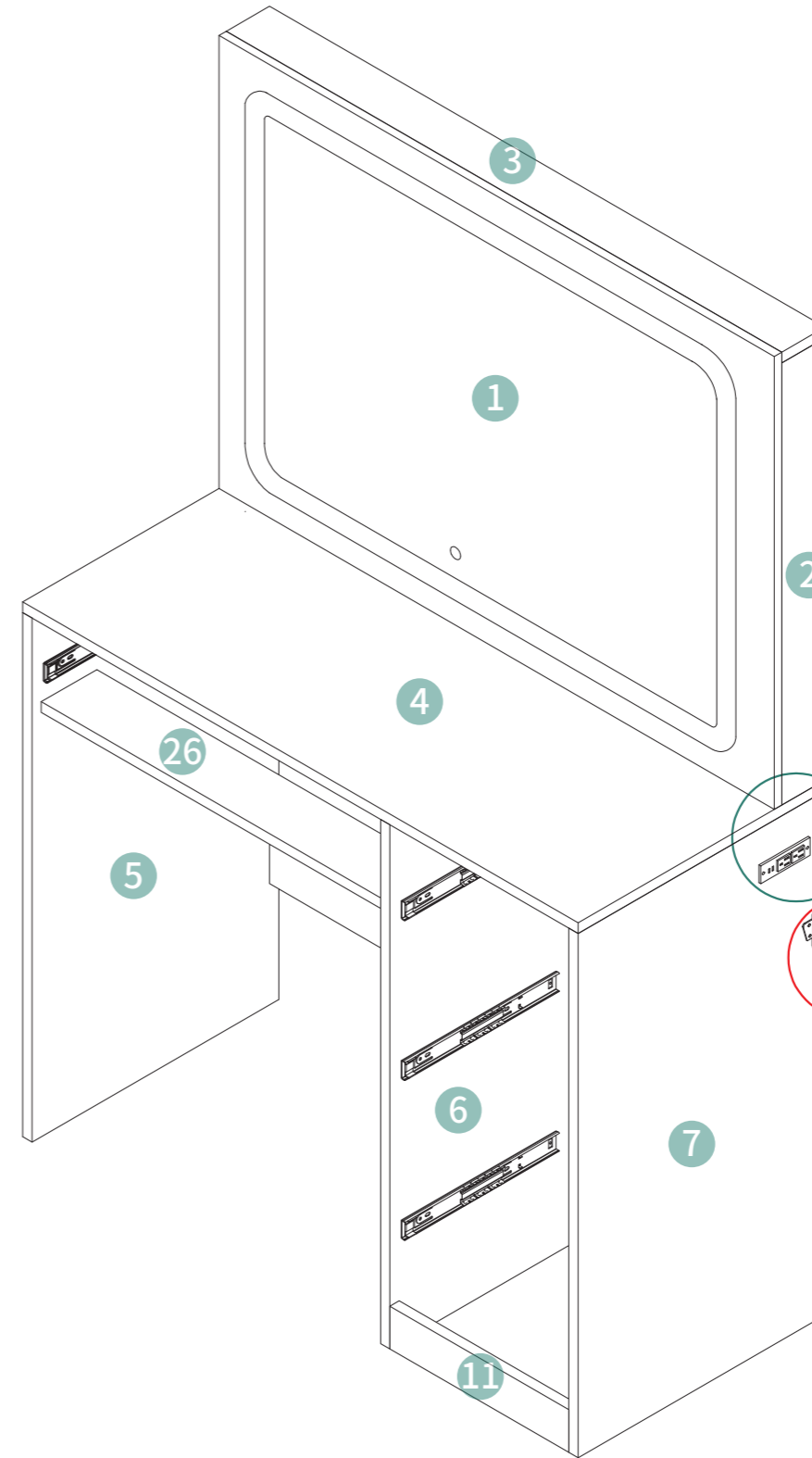
Ⓑ 6pcs Ⓕ 7pc Ⓖ 8pcs



13

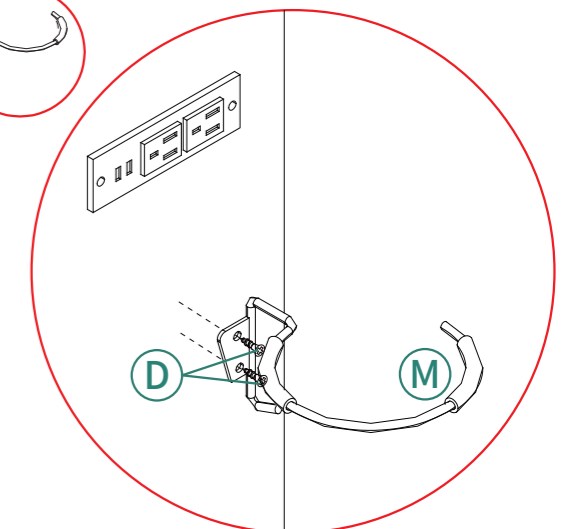
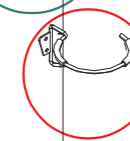
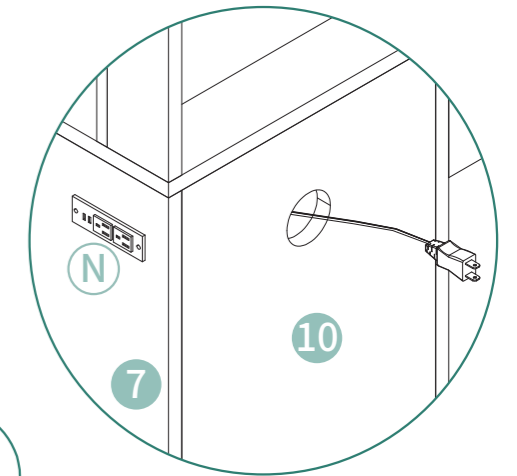
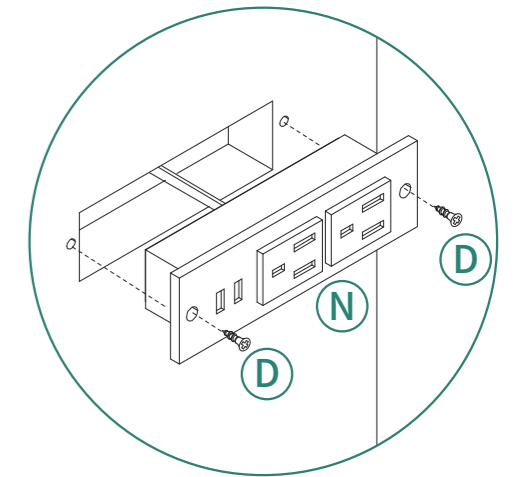
9

Ⓓ 4pcs Ⓜ 1pc Ⓝ 1pc



14

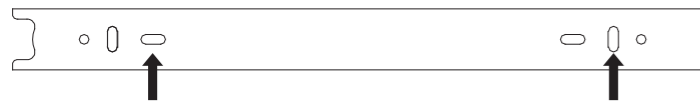
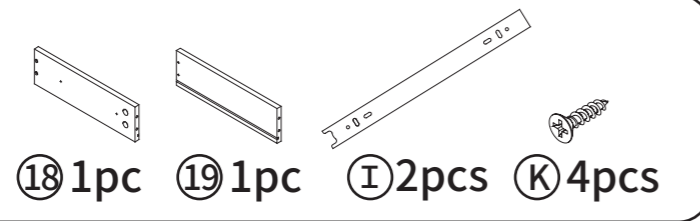
ASSEMBLY INSTRUCTIONS



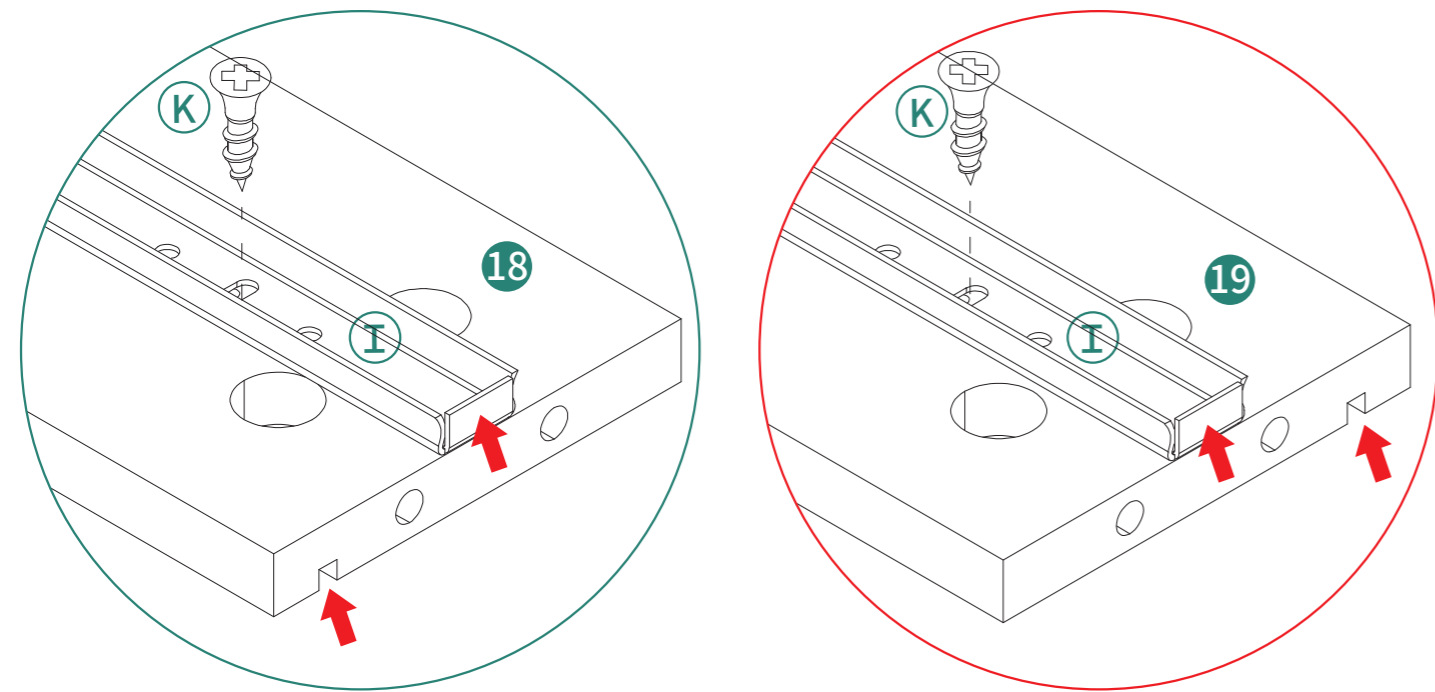
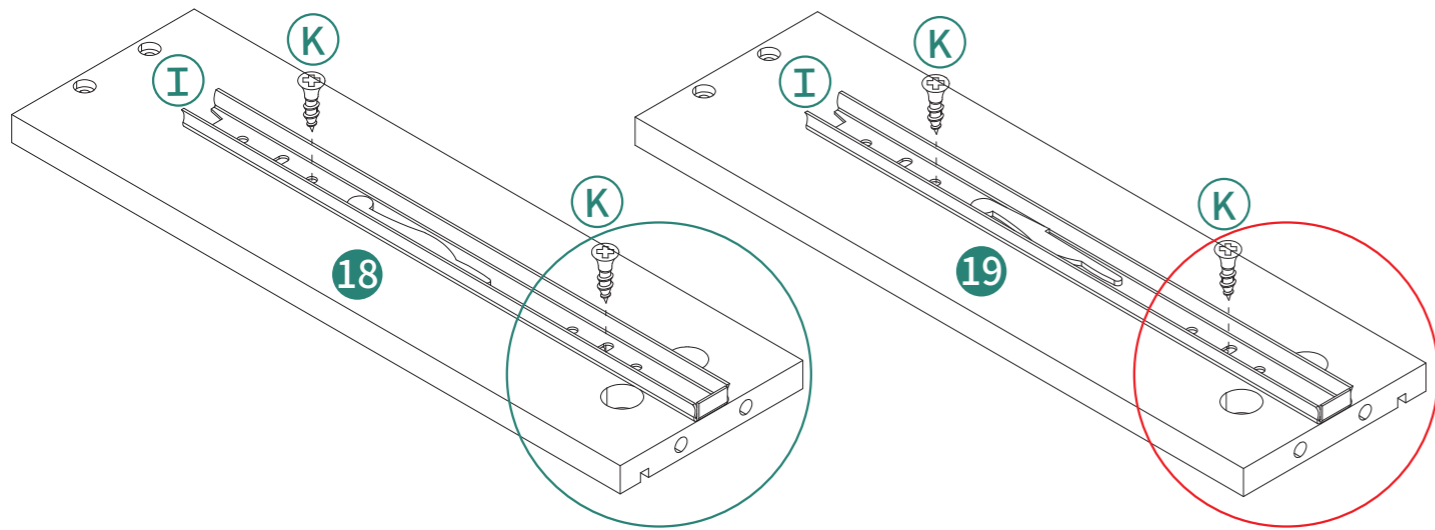
Install at a location based on your needs.

ASSEMBLY INSTRUCTIONS

10



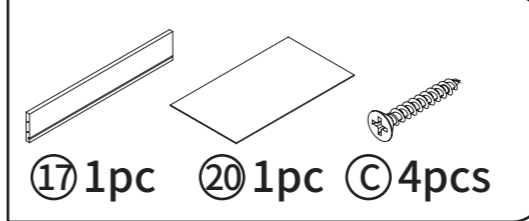
Ⅰ Align the screws with the center of the mounting hole of the guide rail.



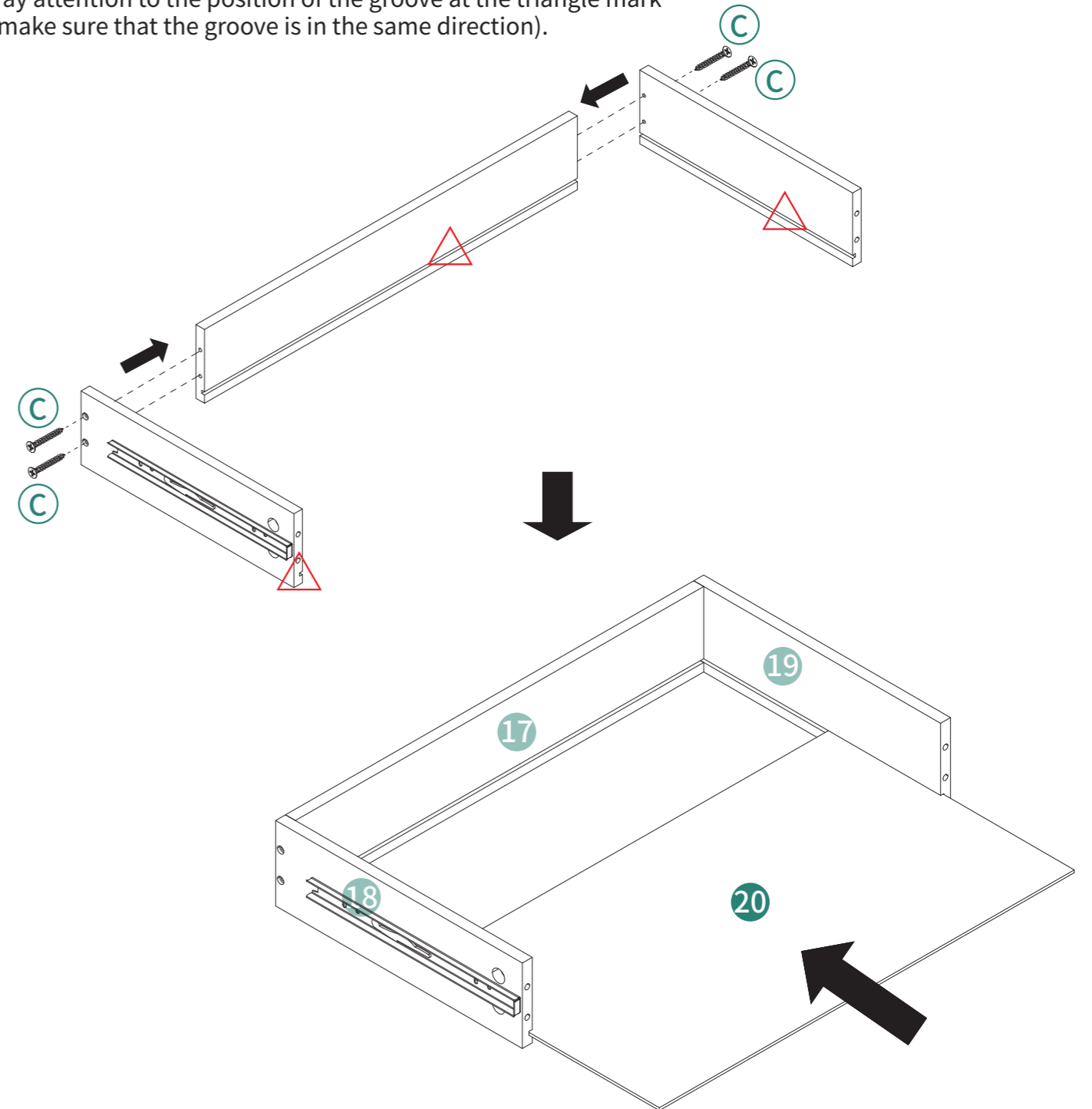
15

ASSEMBLY INSTRUCTIONS

11



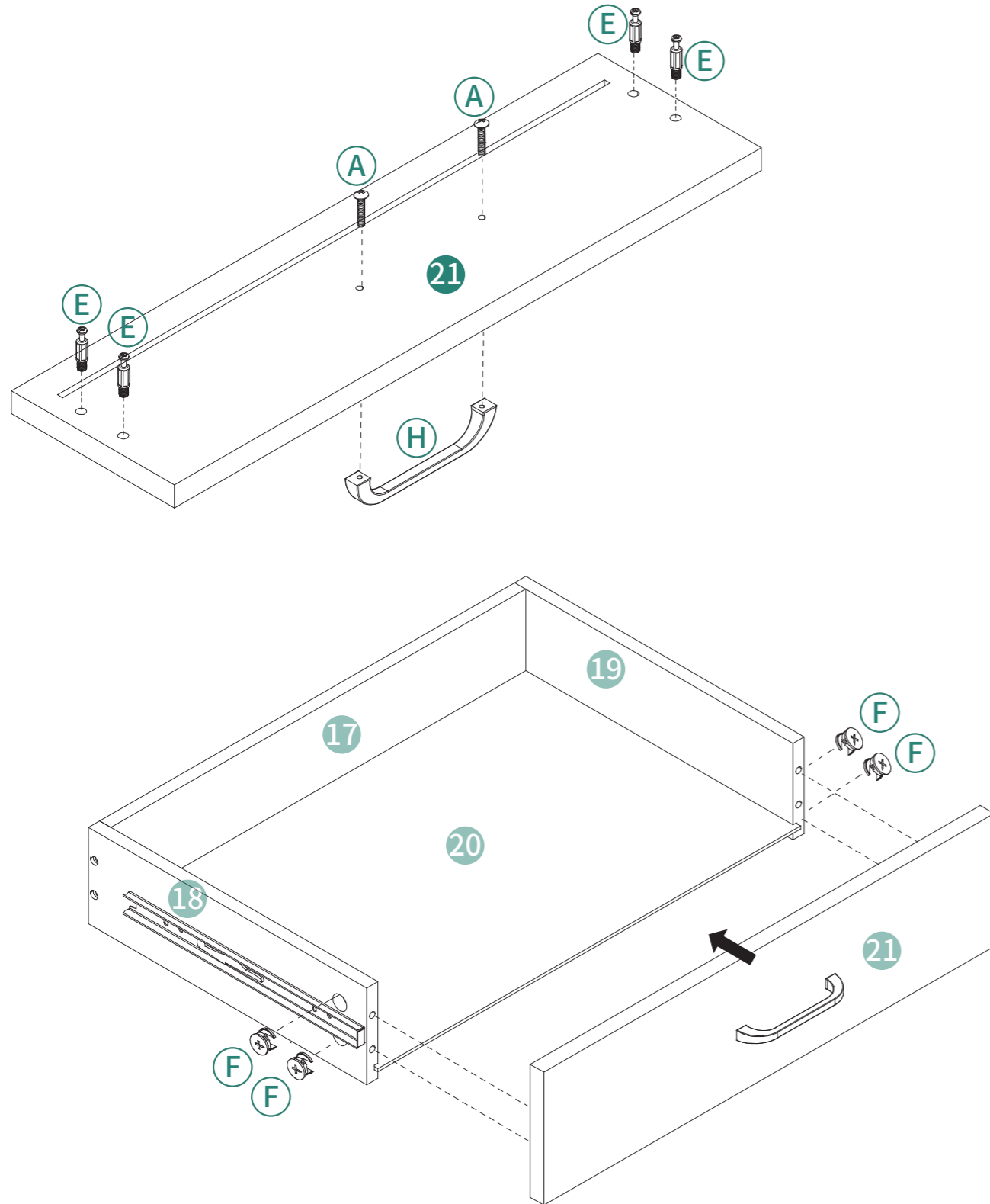
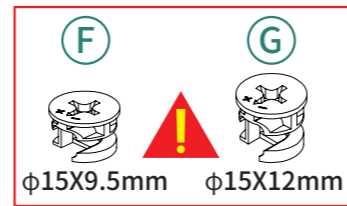
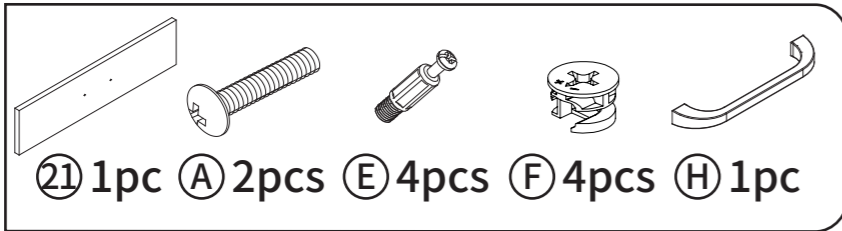
Pay attention to the position of the groove at the triangle mark (make sure that the groove is in the same direction).



16

ASSEMBLY INSTRUCTIONS

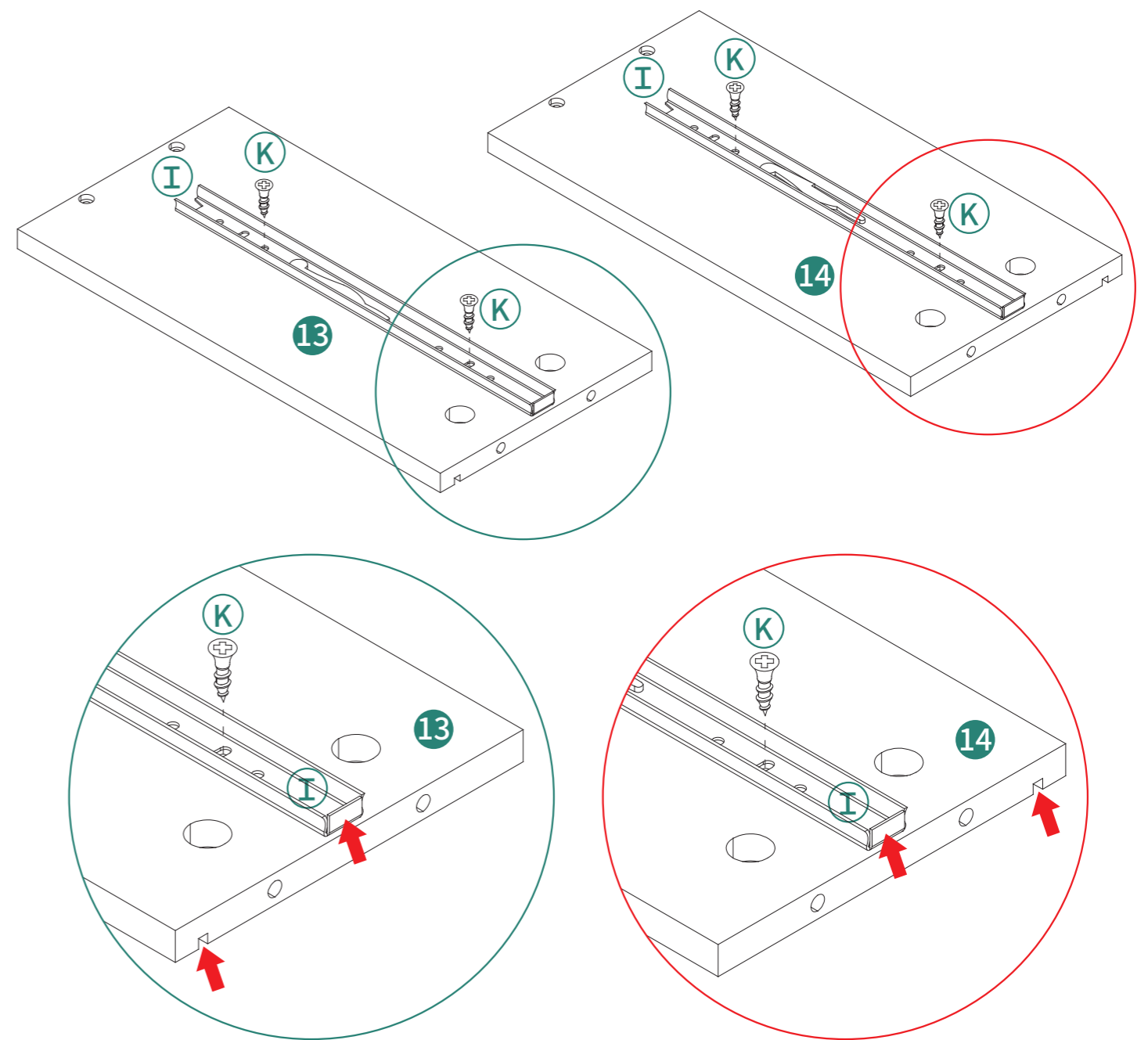
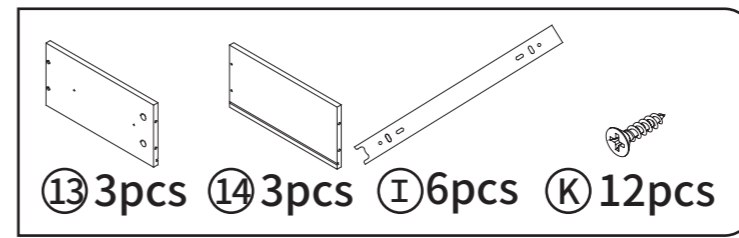
12



17

ASSEMBLY INSTRUCTIONS

13 X3



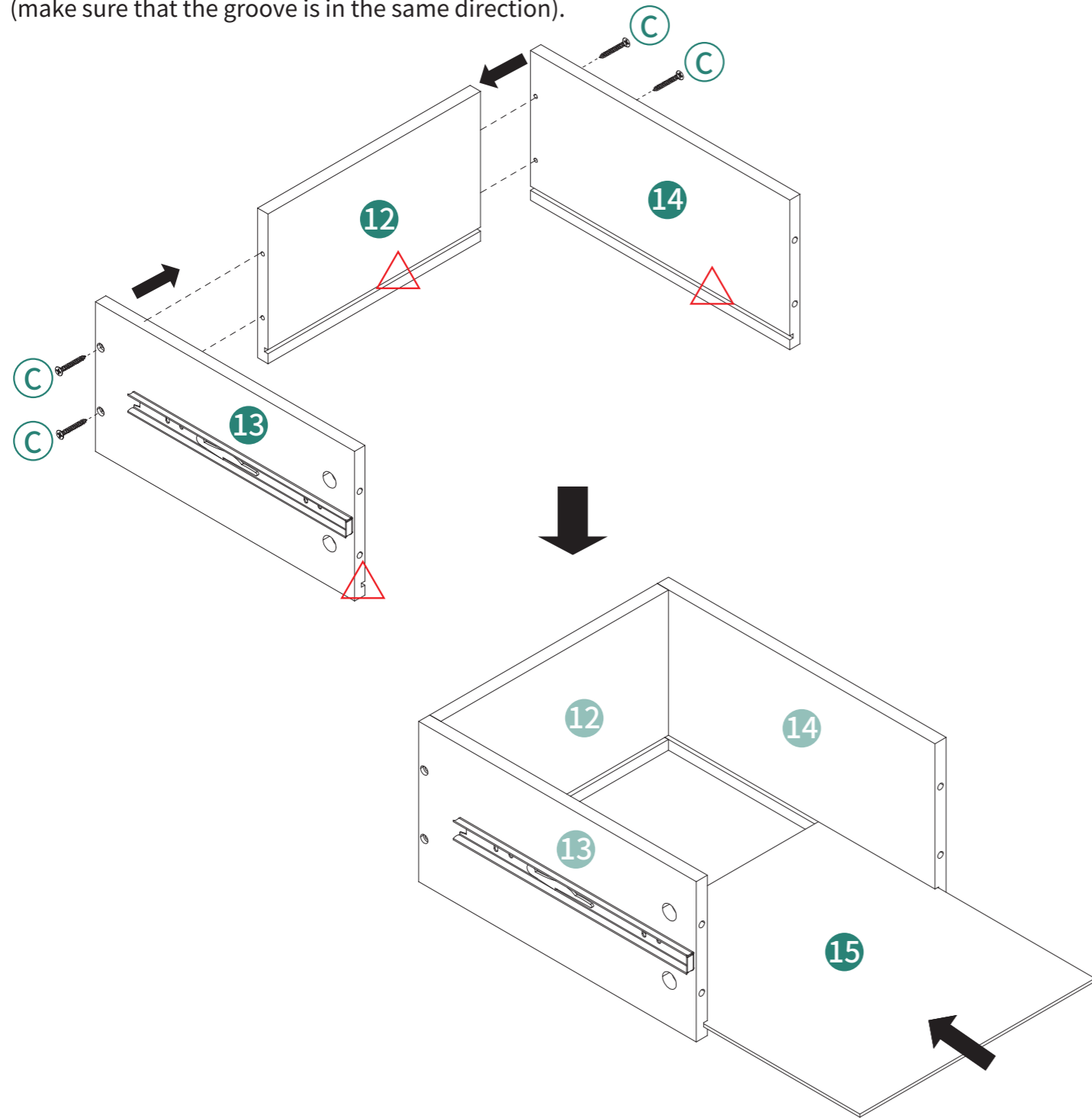
18

ASSEMBLY INSTRUCTIONS

14
X3

⑫ 3pcs ⑮ 3pcs ① 12pcs

△ Pay attention to the position of the groove at the triangle mark (make sure that the groove is in the same direction).



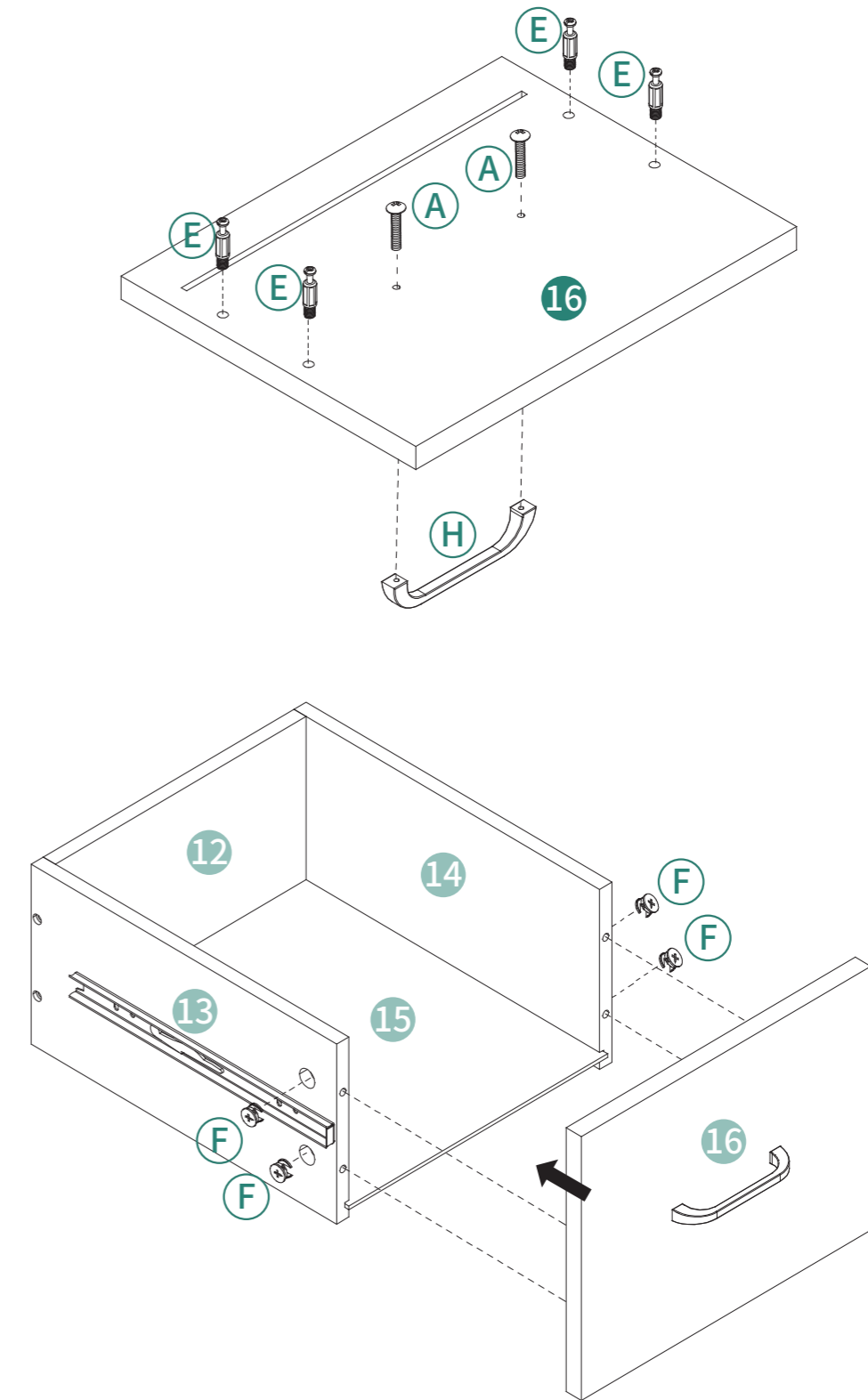
19

ASSEMBLY INSTRUCTIONS

15
X3

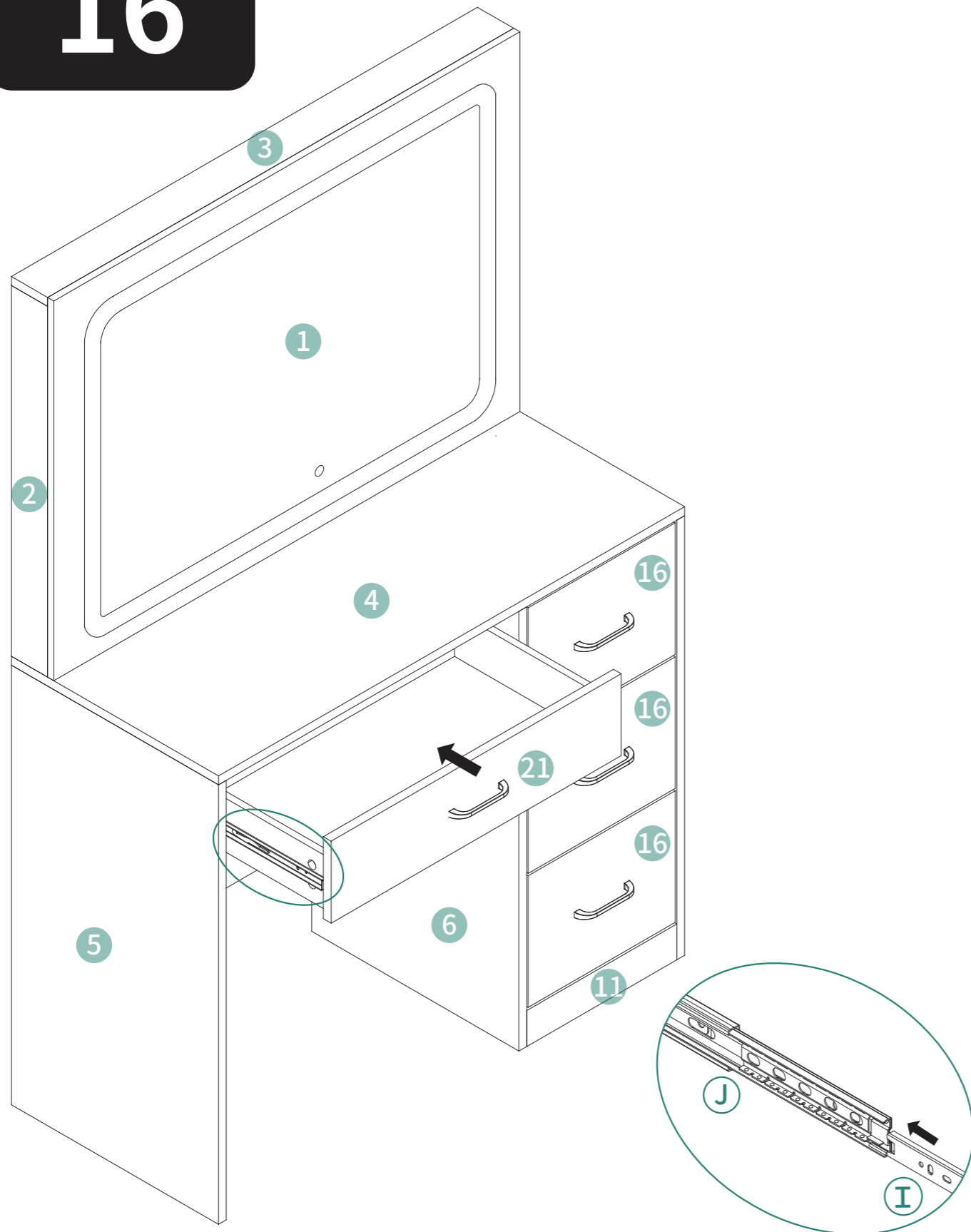
⑯ 3pcs ① 6pcs ② 12pcs ③ 12pcs ④ 3pcs

③ φ15X9.5mm ④ φ15X12mm



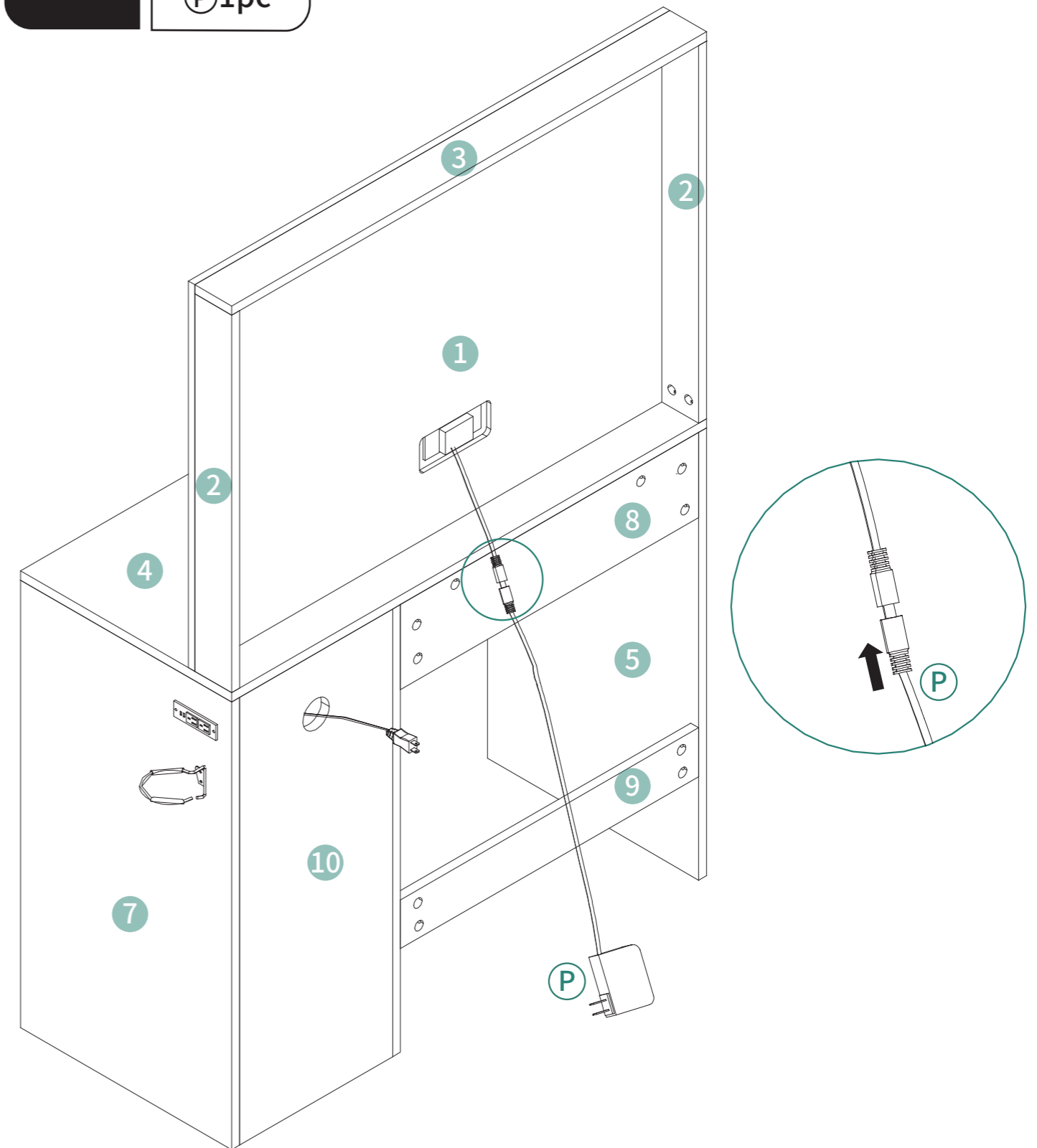
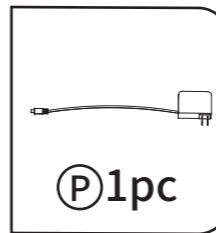
20

16



21

17



22

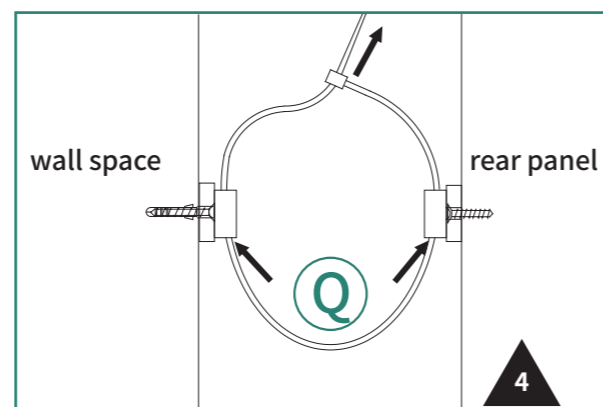
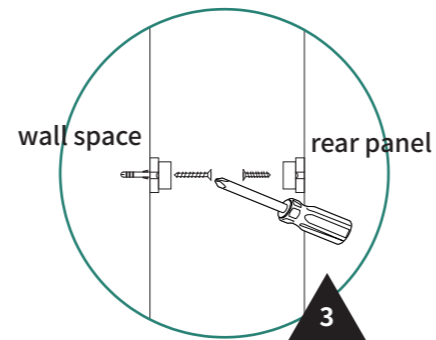
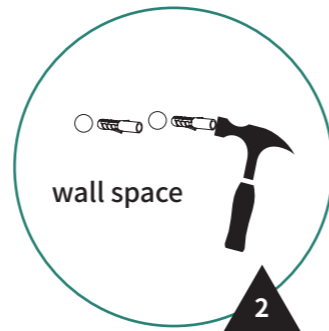
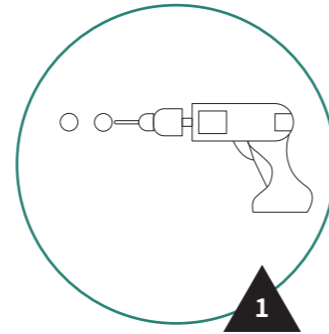
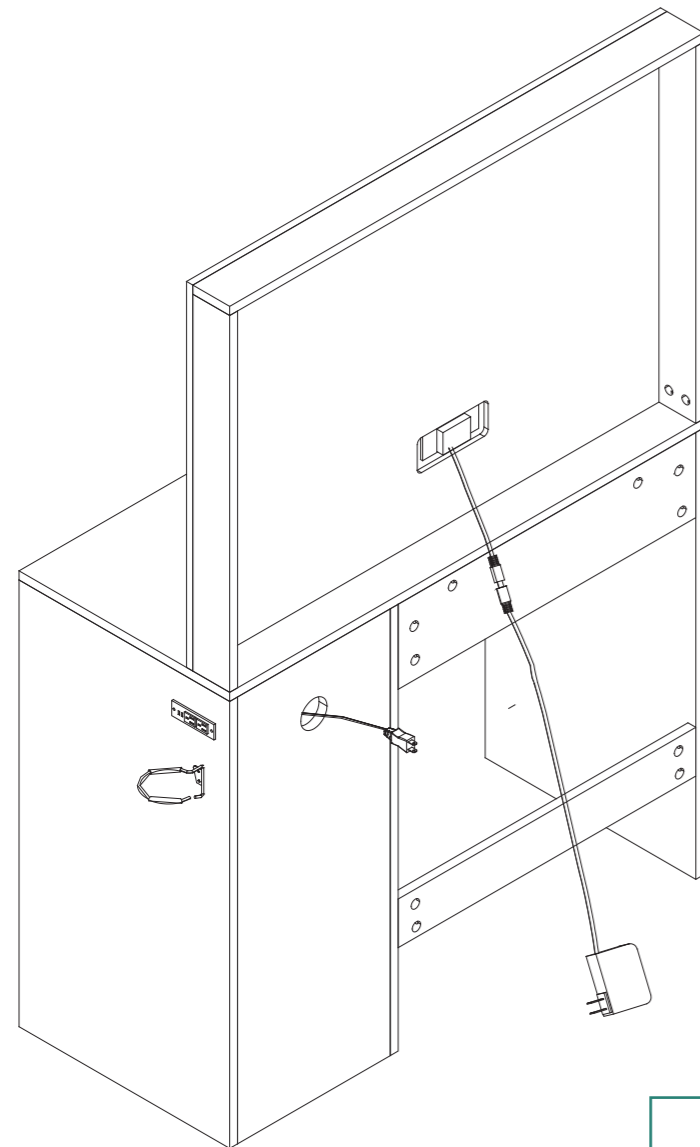
ASSEMBLY INSTRUCTIONS

ASSEMBLY INSTRUCTIONS

18



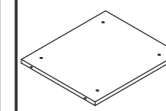
Q 1pc



! After the cabinet assembly, please install the wall fixing device on the back of the cabinet to avoid accidents. Install at a location based on your need.

23

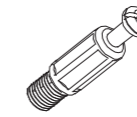
19



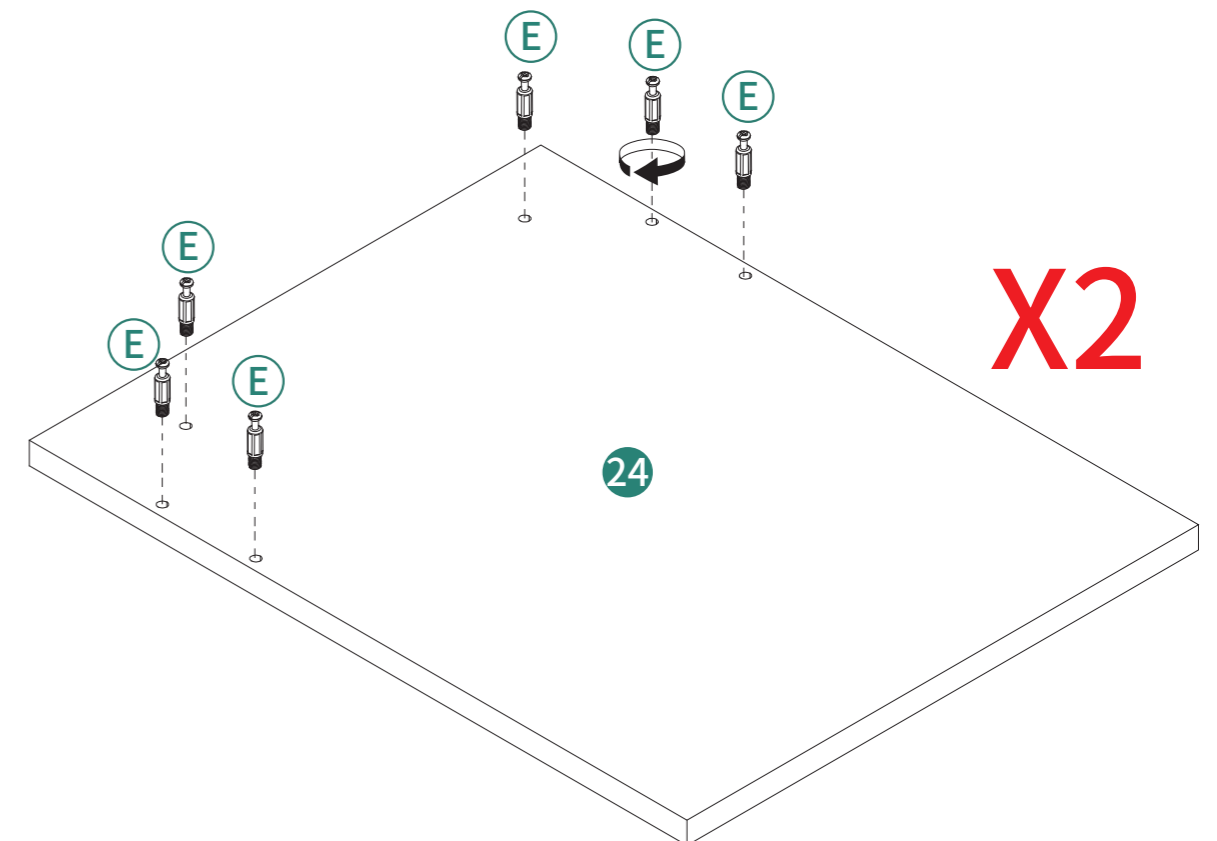
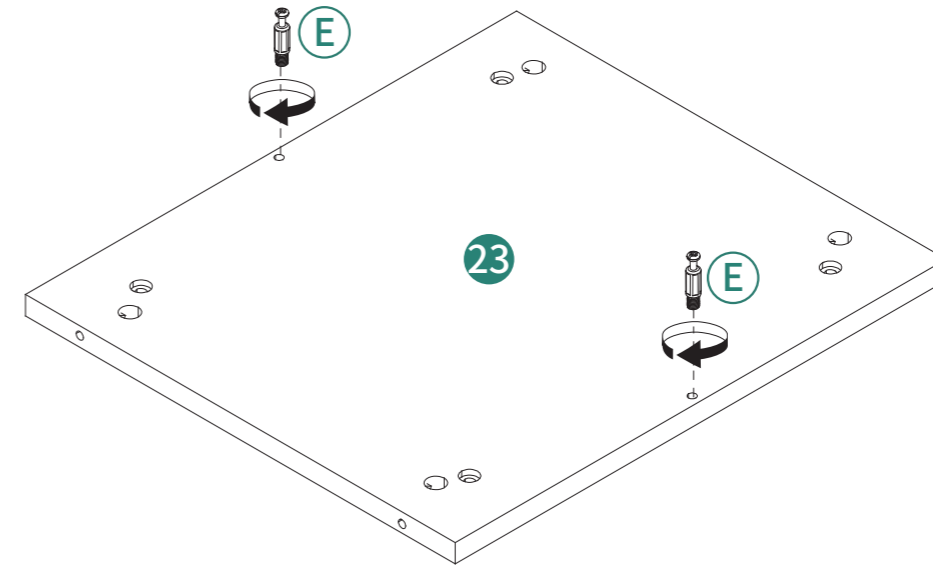
23 1pc



24 2pcs



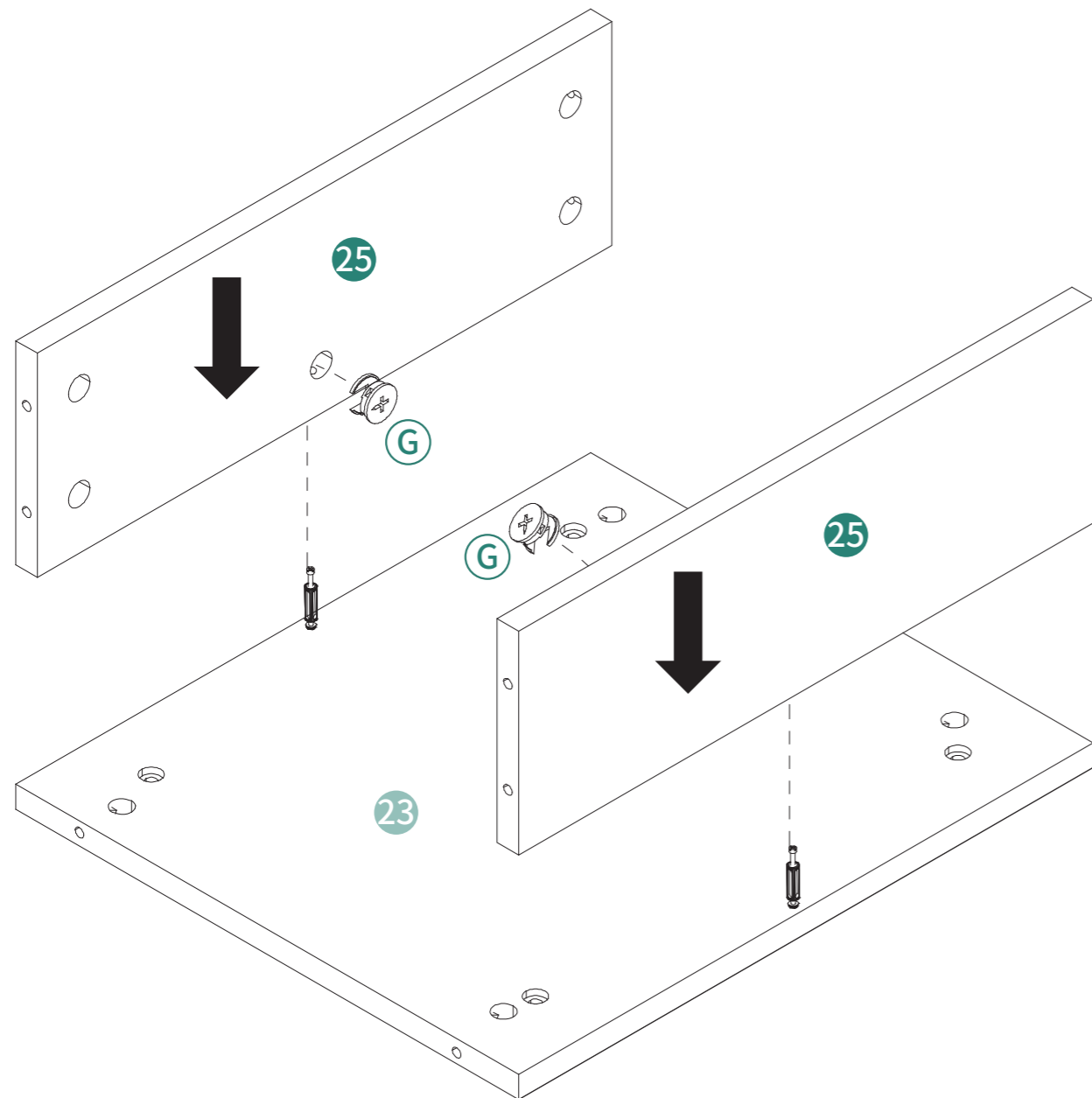
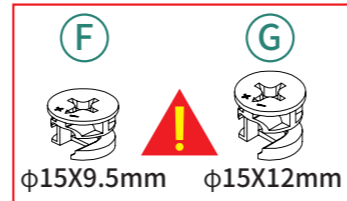
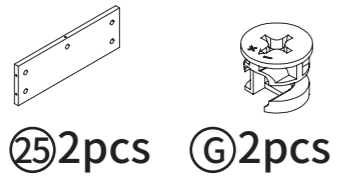
E 14pcs



24

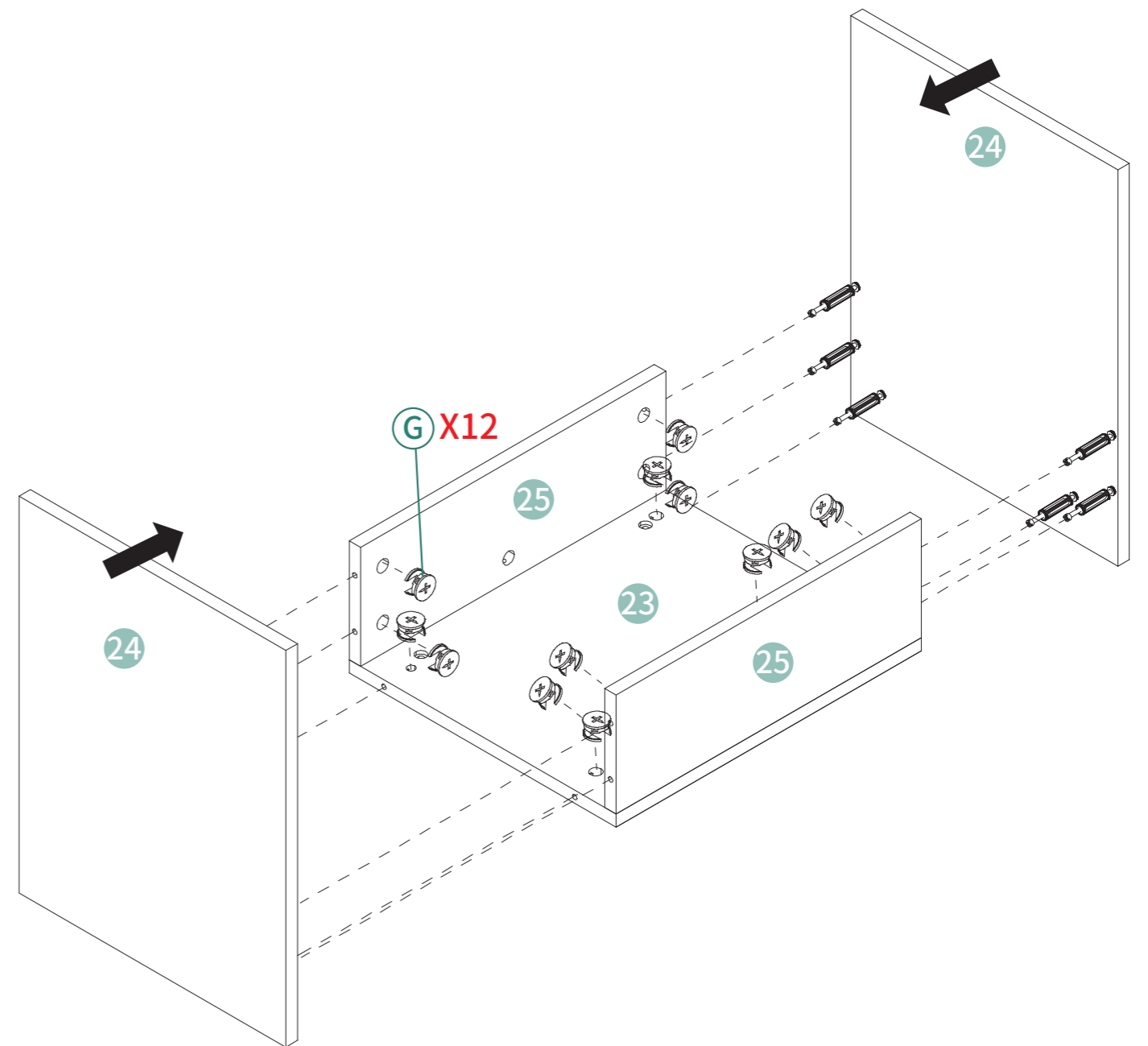
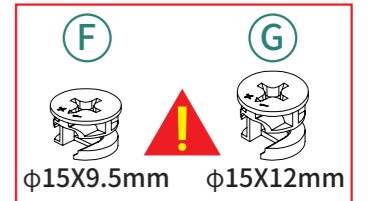
ASSEMBLY INSTRUCTIONS

19

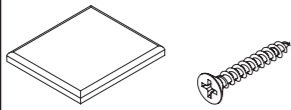


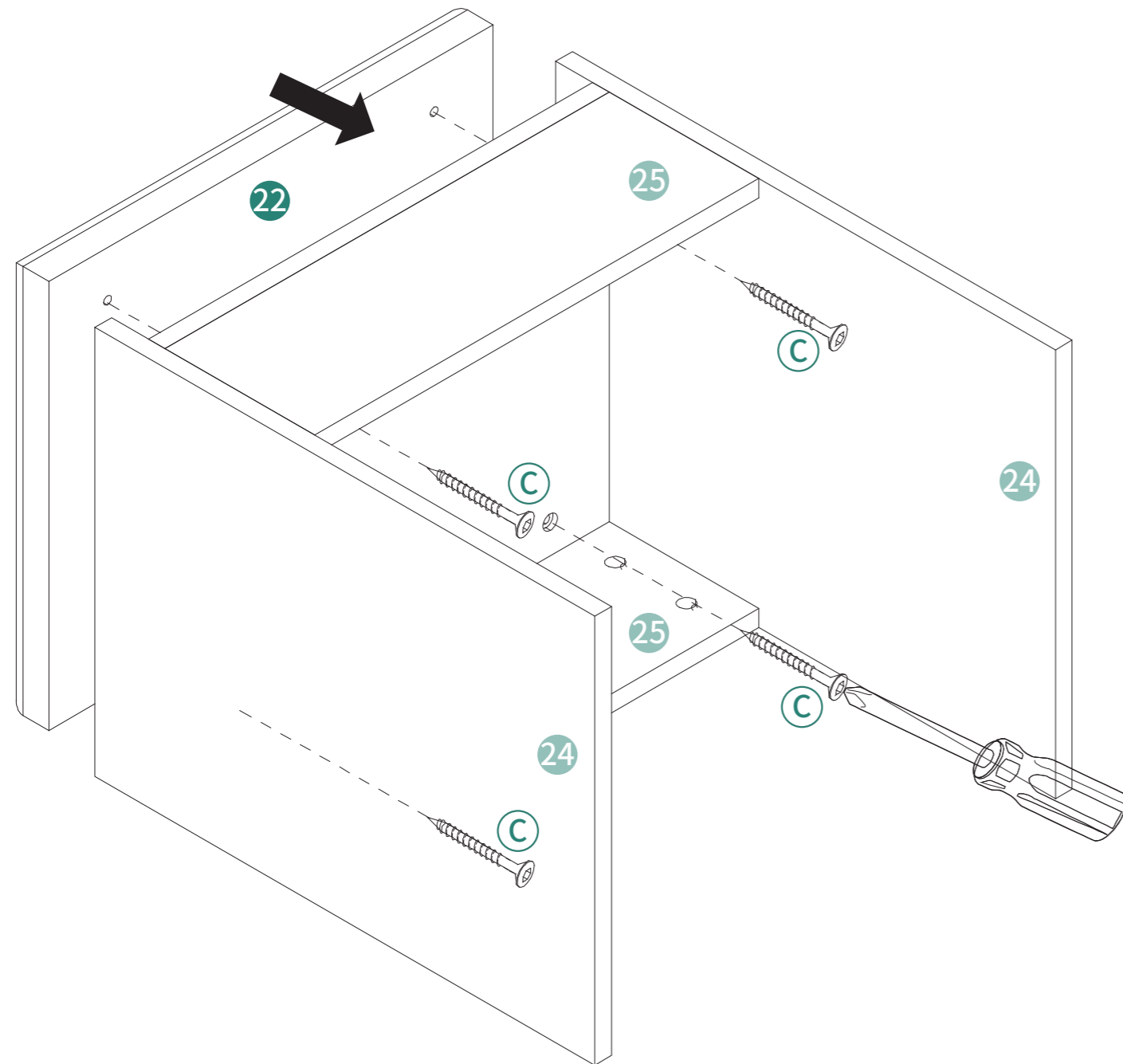
25

20

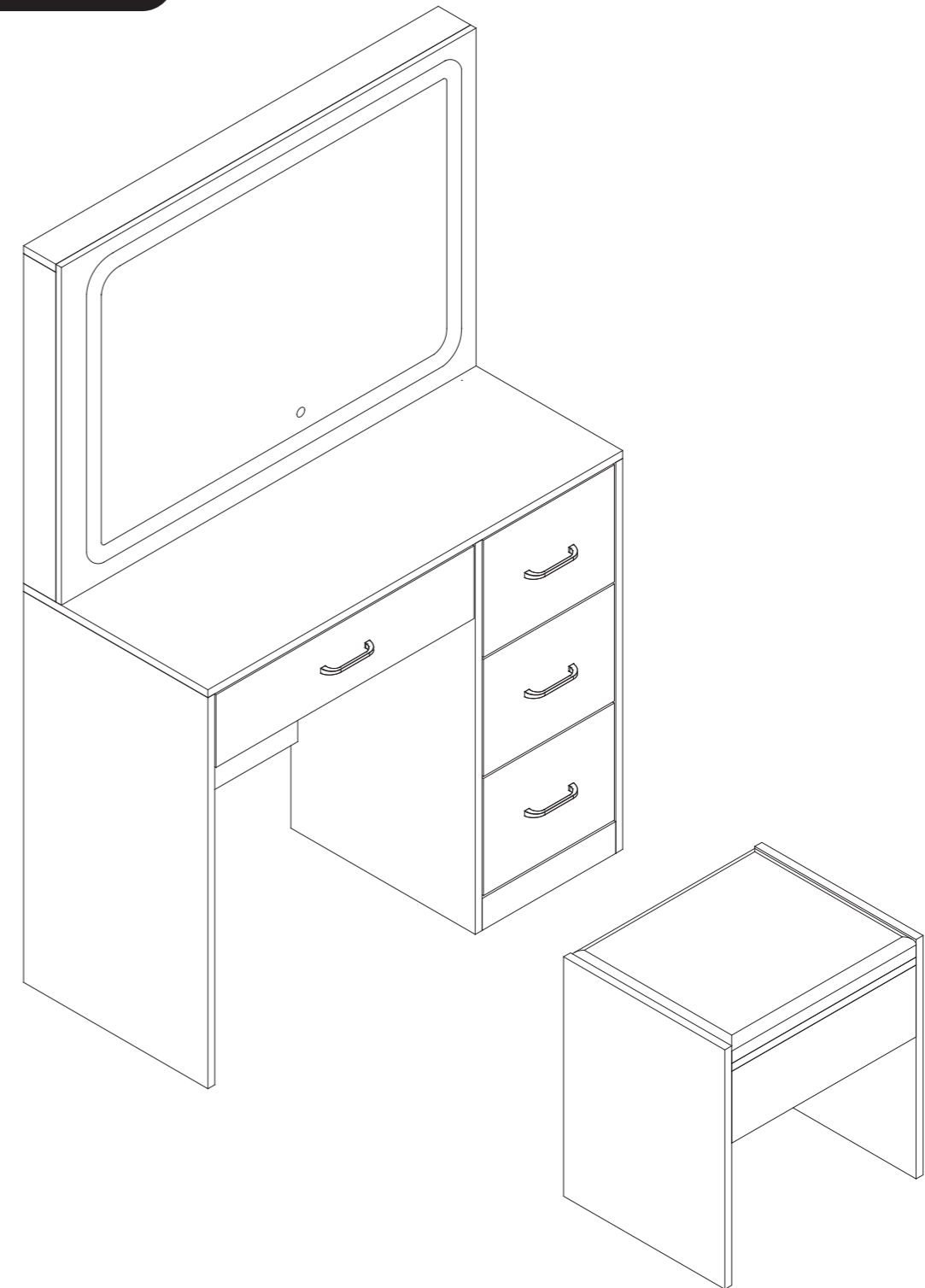


26

21 
②②1pc ⓐ4pcs



22



Installation Completed