

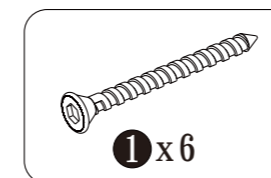
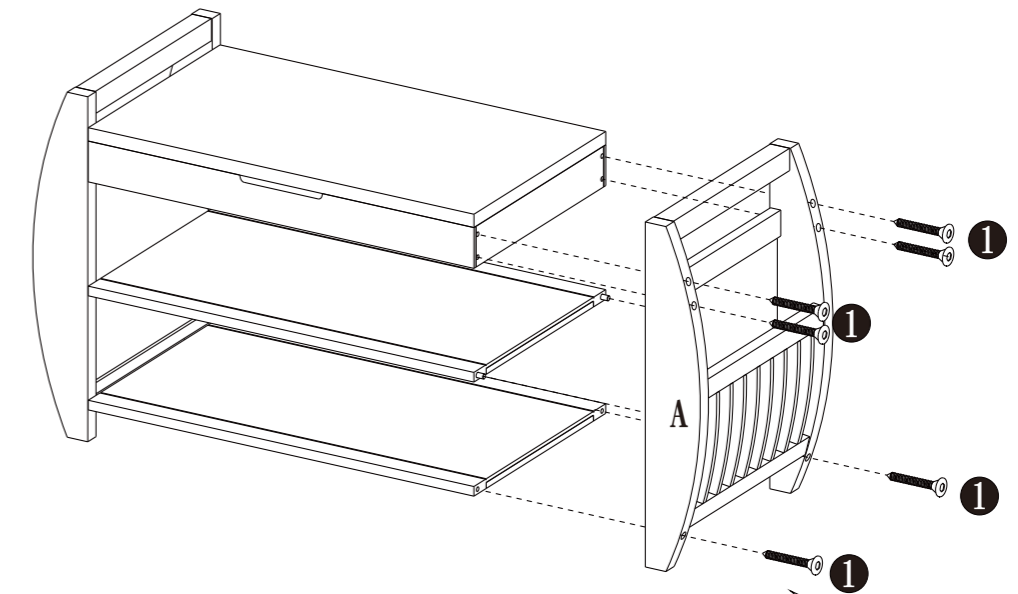
Before you begin

1. Check for damaged or missing parts
2. Gather all tools prior to assembly.
3. Use the assembly, surface to prevent product damage during assembly.
4. Do not over tighten.
5. During assembly, as this may damage the product. .
Do not use power tools.

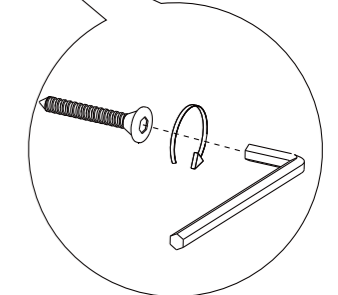
Care Instruction

1. Wipe clean with damp cloth
2. Do not use strong detergents or abrasive cleaners, they may damage the surface
3. Check and tighten screws regularly
4. Do not stand on the product, do not use the product as a stepladder
5. Do not put anything hot on the surface.
6. Indoor use only.
7. Questions and concerns about your BALANBO product? Send email to wendy123@balanbo.com

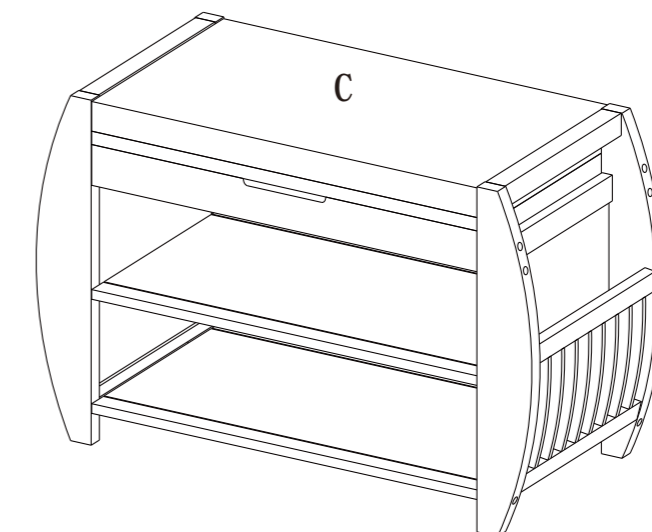
STEP 6



Install bracket a on the other side with screws

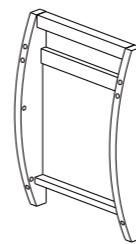


STEP 7

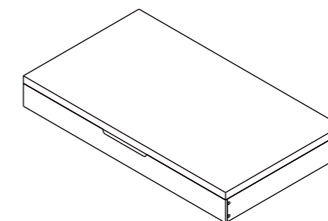


Installation is complete

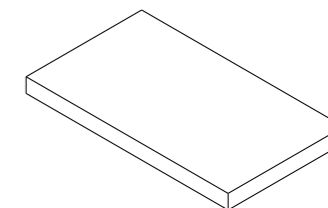
Part List



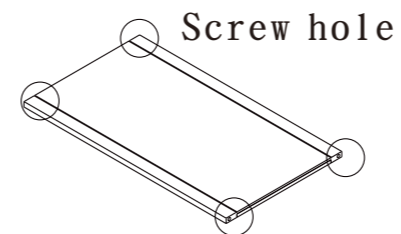
Bracket A*2



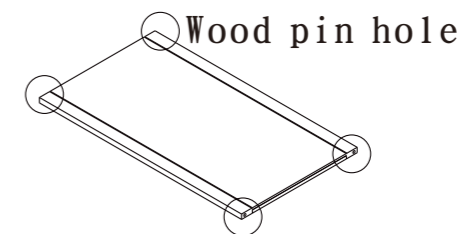
Stool surface B*1



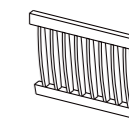
Cushion C*1



Laminate D*1



Laminate E*1



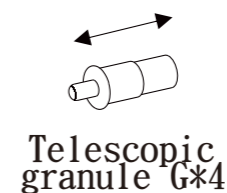
Enclosure F*2



Wooden pin H*4



Wooden pin K*4

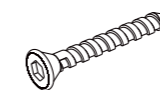


Telescopic granule G*4



J*4
Paste the bottom of the corner of the stool, with anti-skid stability

Hardware List

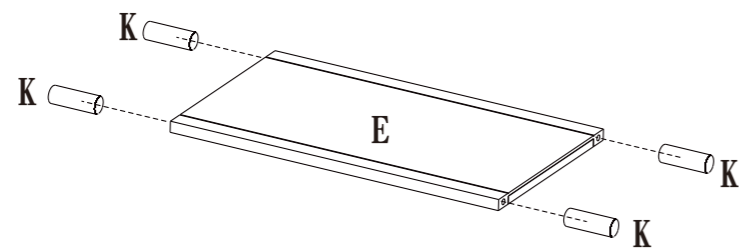


① Screw

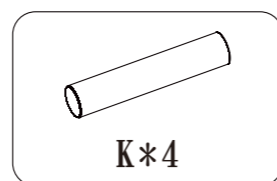


② x1

STEP 4

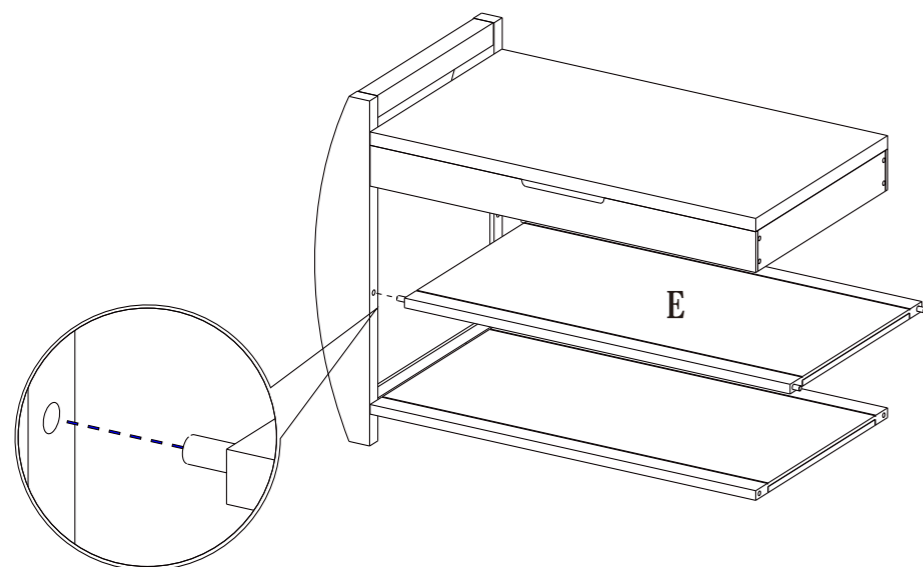


The wooden pin K is inserted on the laminate E



K*4

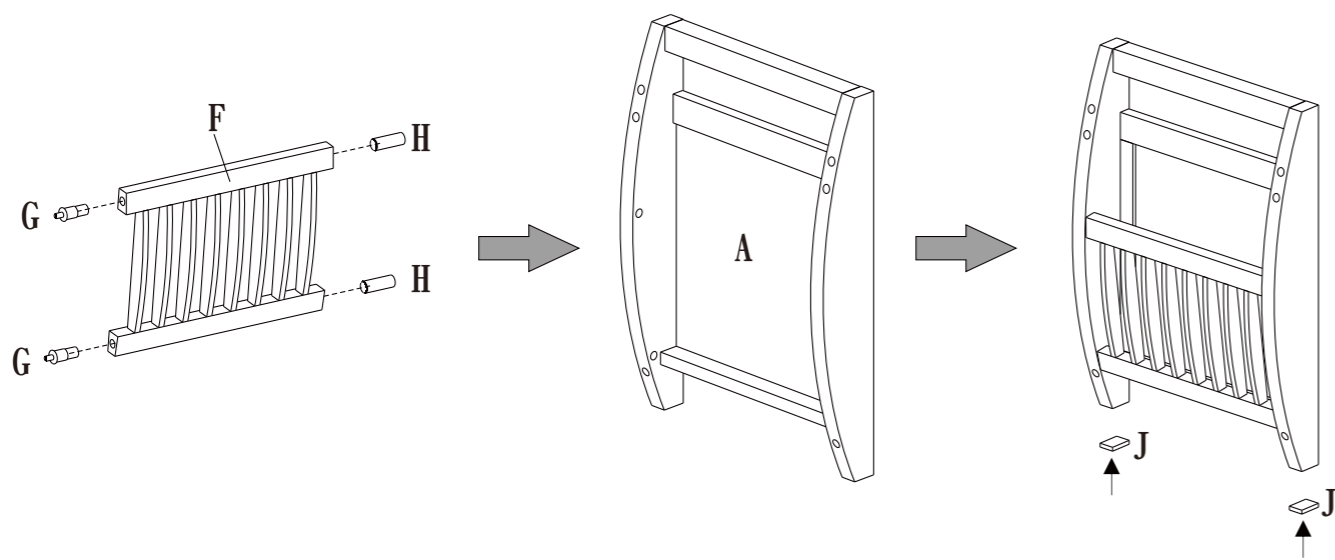
STEP 5



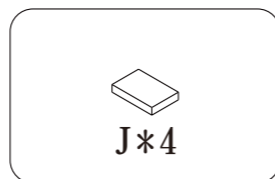
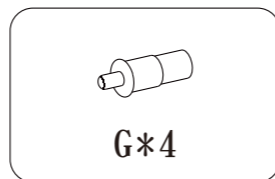
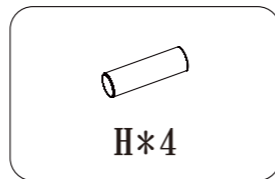
Insert the wooden pin on the laminate E into the wooden pin hole of the bracket A

Assembly

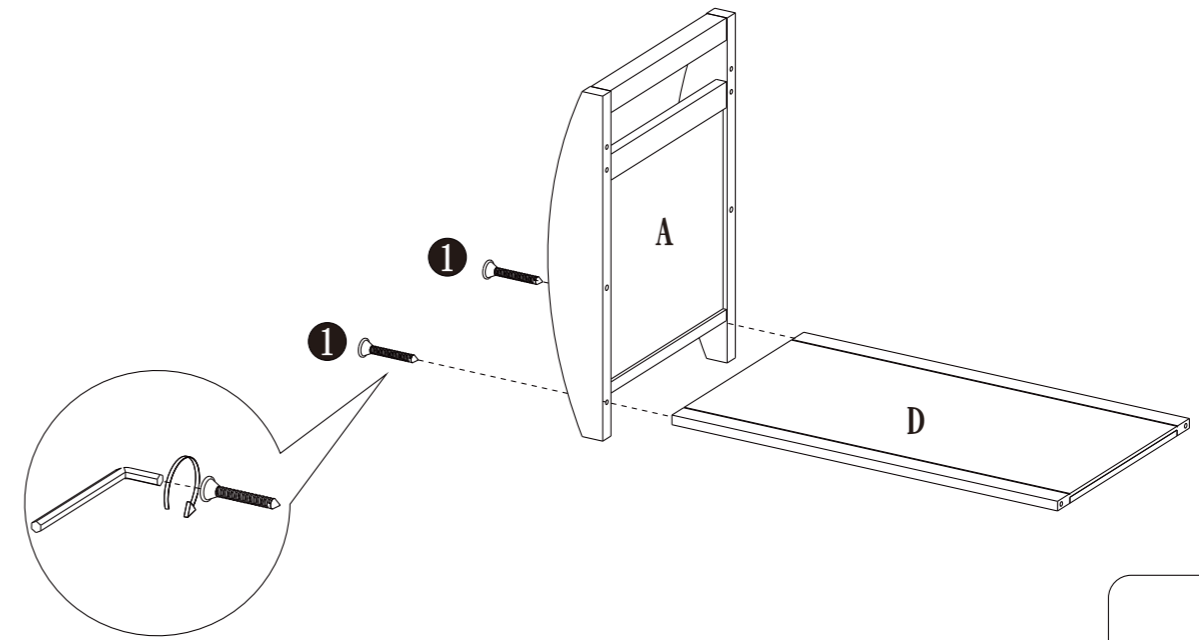
STEP1



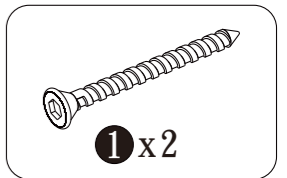
Install the wooden pin H and the Telescopic granule G on the fence F and then install them on the bracket A. Install Telescopic granule on the side of large hole of fence F and install wooden pin on the small hole.



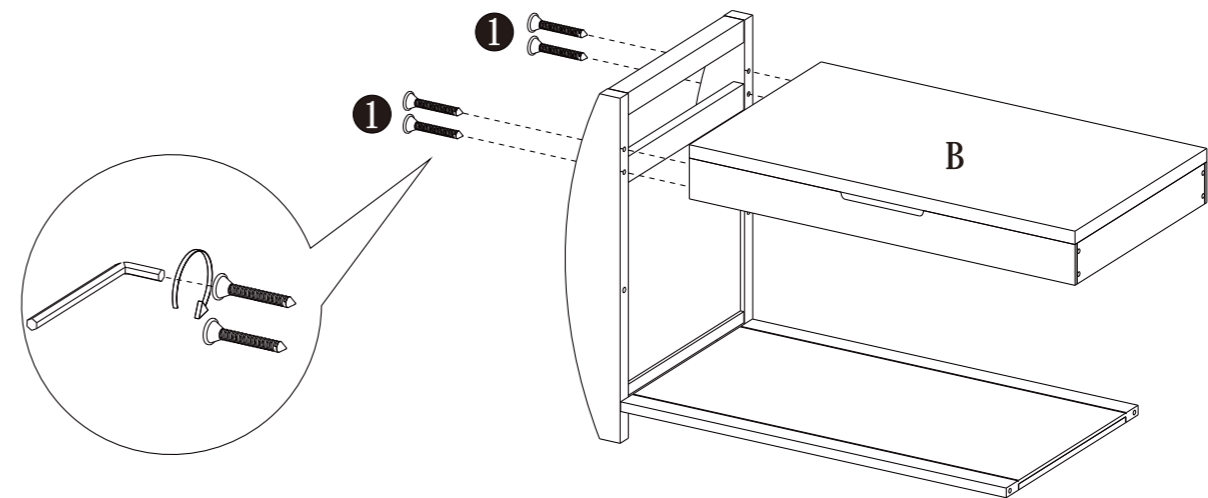
STEP2



The Laminate D are first installed on the bracket



STEP3



The Stool surface B are first installed on the bracket

