

Drawer Dresser

Instruction Manual



1 Component List

A X1



Side Frame

B X1



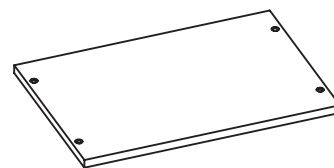
Side Frame

C X2



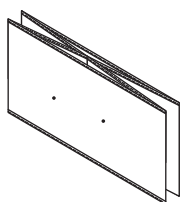
Cross Tube

D X1



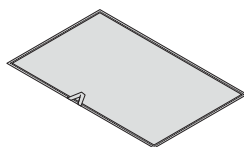
Top Board

E X4



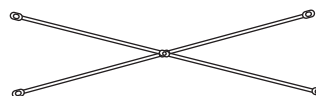
Drawer

F X4



Base Board
for Drawer

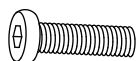
G X1



Reinforcement
Bar

2 Supplied Parts and Hardware

1 X8



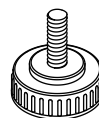
Bolts
M6×25mm

2 X4



Bolts
M6×12mm

3 X4



Adjusting Foot
M6×28mm

4 X4



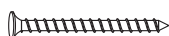
Drawer Handle

5 X8



Bolts
M4×10mm

6 X2



Bolts
M4×60mm

7 X2



Expansion Tube

8 X1



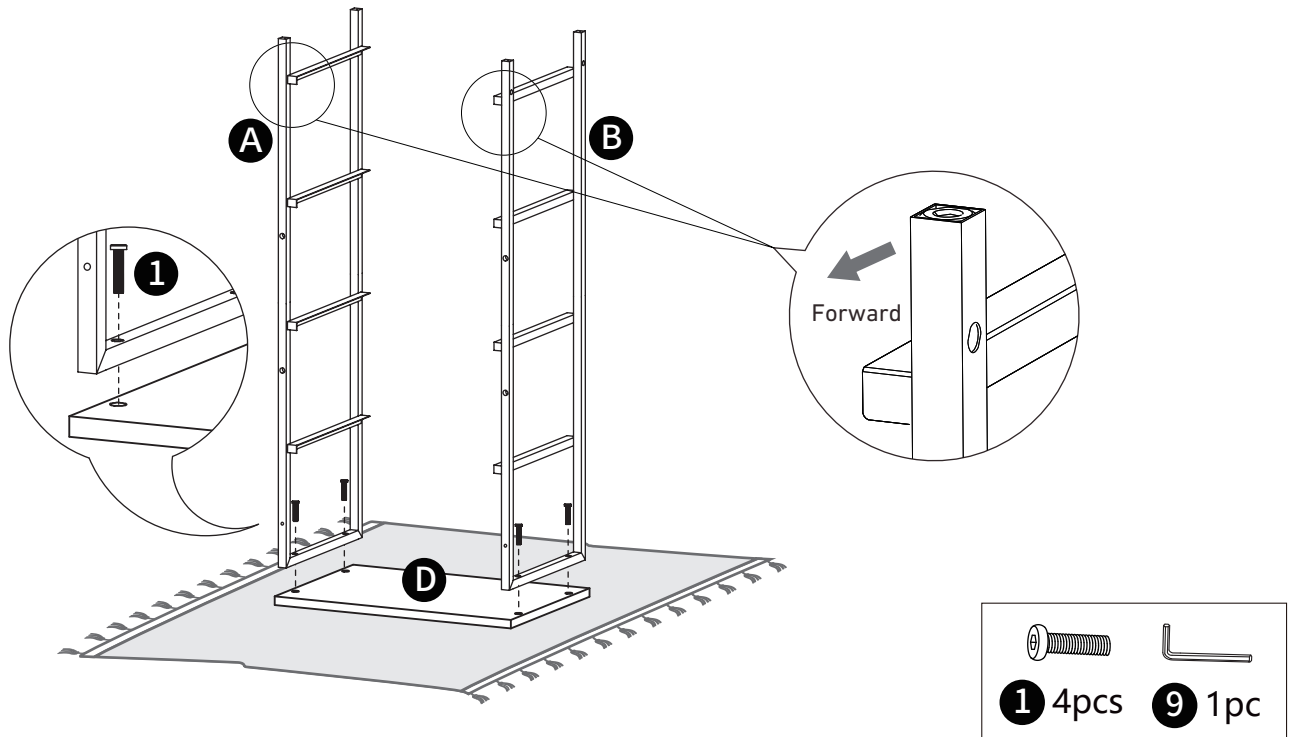
Screwdriver

9 X1



Wrench
M4

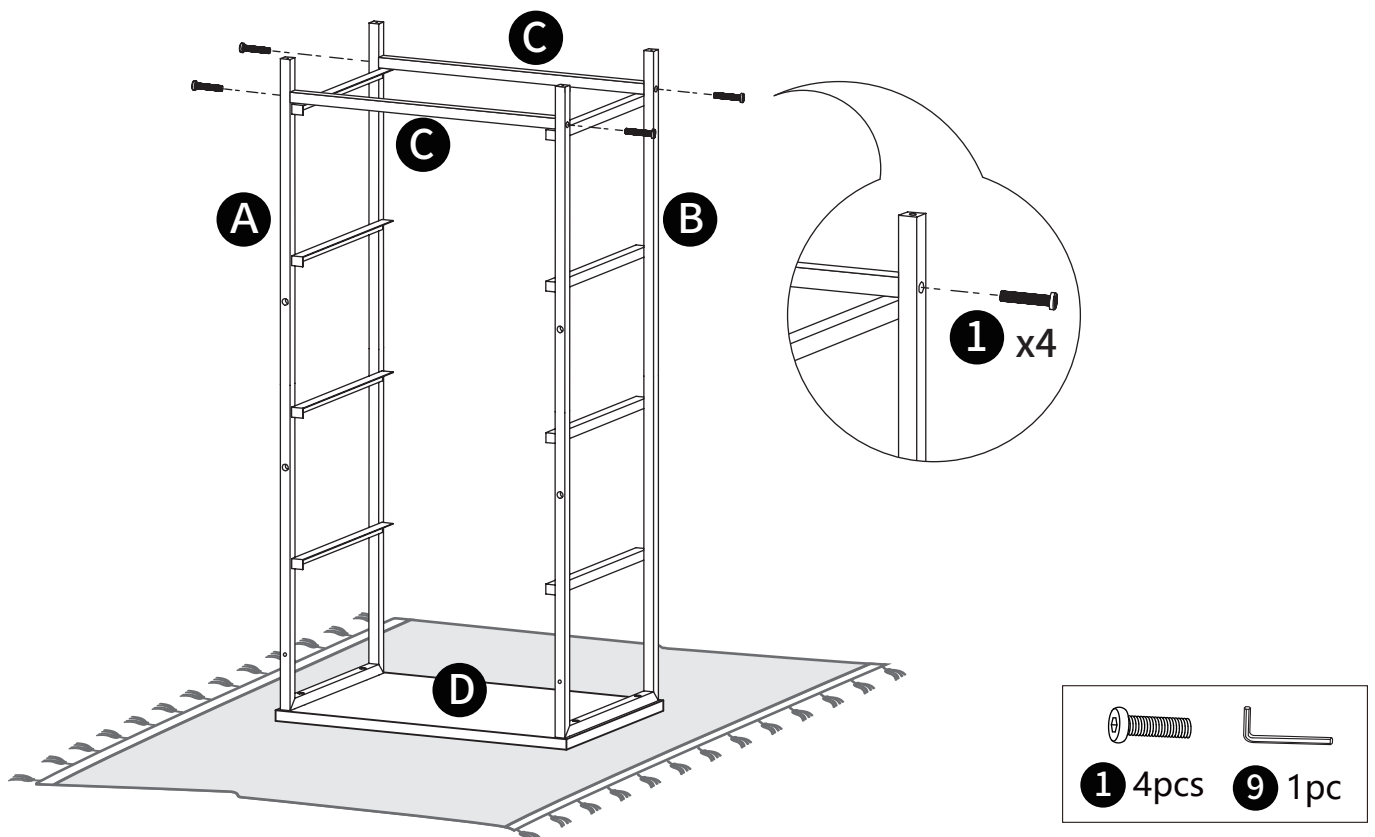
Step 1



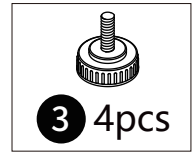
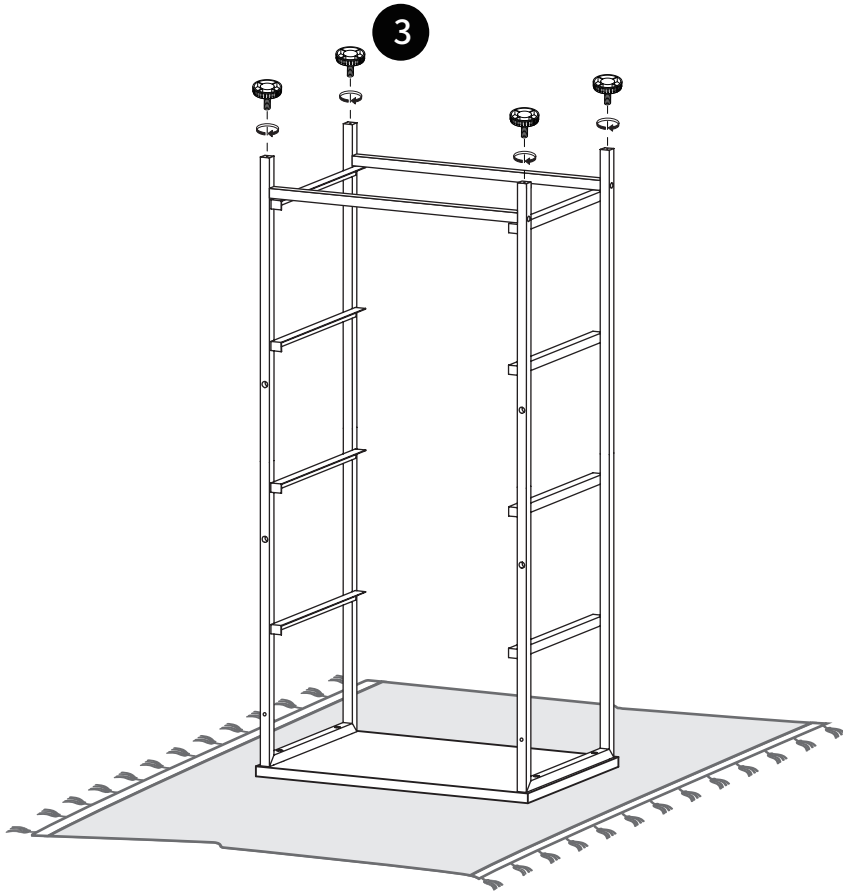
NOTE:

1. Place a blanket under the top plate to avoid scratches or damage.
2. The side frame (A&B) baffle faces in the same direction, with the baffle facing forward.

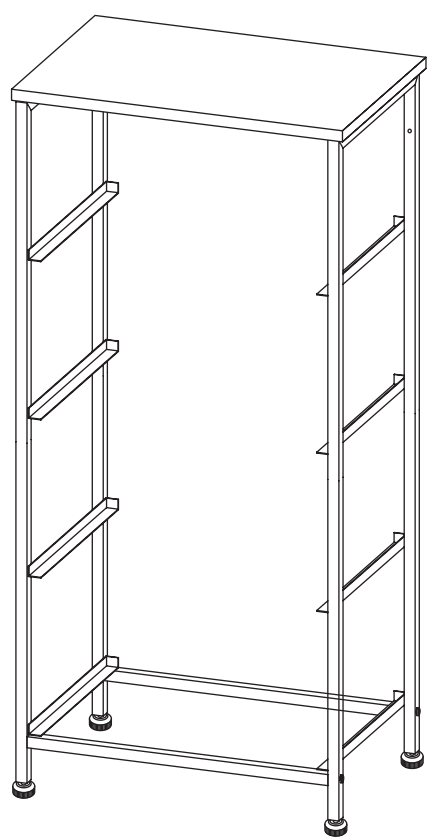
Step 2



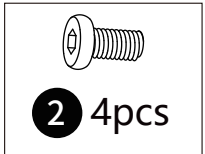
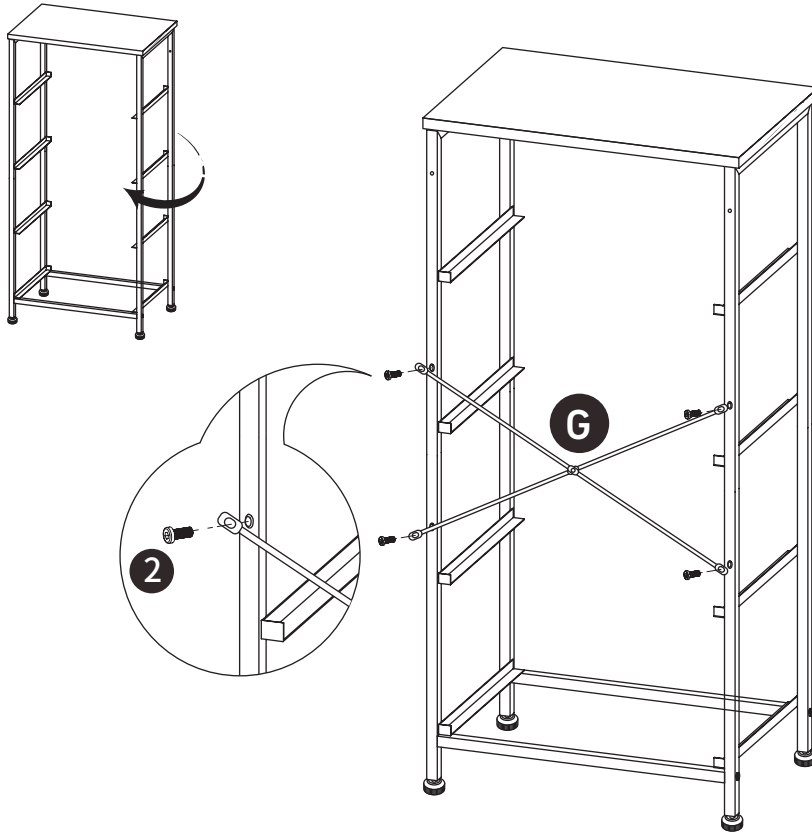
Step 3



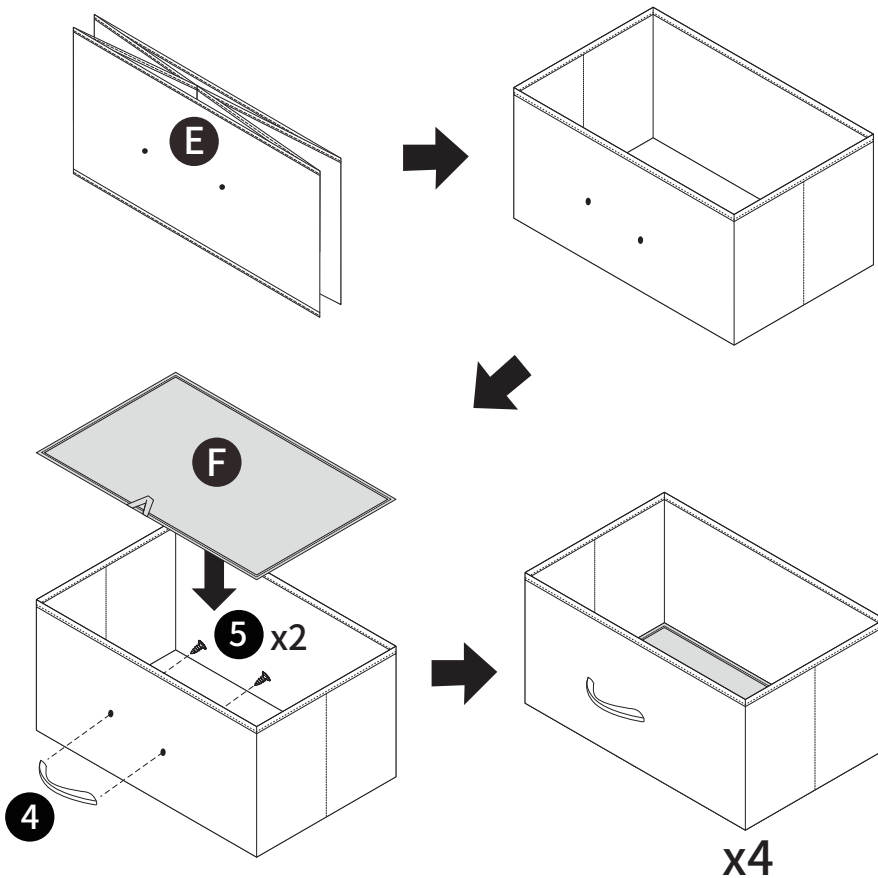
Step 4



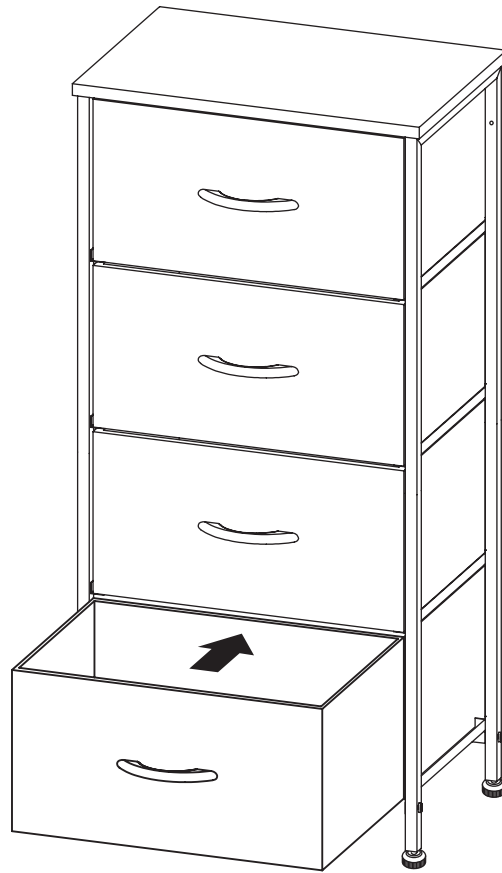
Step 5



Step 6



Step 7



Step 8

