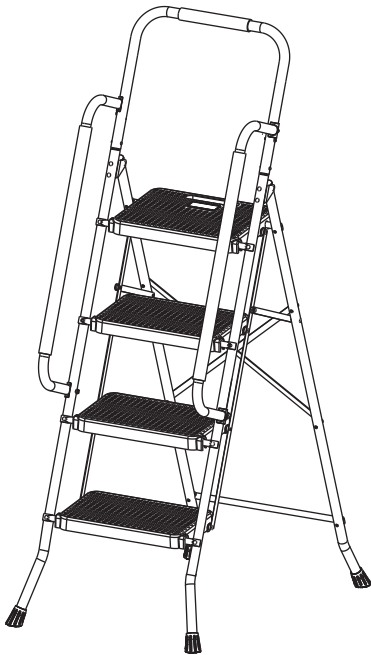


# STEP LADDER

**W2660P468423  
E210904**



**W2660P468424  
E210905**



# IMPORTANT

## Installers and Users Please Note:

This manual forms part of the product and should be kept with the unit at all times. Should the unit be sold or moved on then the manual must be included.

### **Please read these instructions carefully before use.**

Failure to adhere to the warnings and instructions contained in this manual and on the product could result in serious or fatal injury.

This product must be checked before use for any signs of damage. If any is detected then do not use and contact your supplier.

## **Intended Use**

The Step Ladder with Handrail is ideal for hard-to-reach places. It is a versatile step that can be used in the bathroom, kitchen, or other areas around the home. It consists of an anti-slip textured surface, rubber ferrules, and a rubber handrail for additional grip.

## **Product Safety**

- This product is not intended for use by persons including children with reduced physical, sensory or mental capabilities, or lack of experience and knowledge, unless they have been given supervision or instruction concerning use of the product by a person responsible for their safety.
- Not for use by children under 14 years of age.
- Children shall not play with the appliance.
- For Domestic use only.
- **DO NOT** stand on the plastic tool tray. Max load 5kg.

## **Before Use**

- **Footwear:** Wear non-slip footwear when using the ladder to prevent slipping. Do not use slippers, bare feet or similar.
- **Check Before Use:** Inspect the ladder for any signs of damage or wear. Do not use if defective.
- **Ensure that you are fit enough to use a ladder:** Certain medical conditions (including pregnancy) or medication, alcohol or drug abuse could make ladder use unsafe. Check with your doctor before using the ladder.
- **Clothing:** Wear tight-fitting clothing, remove jewellery and tie long hair back when using the ladder.
- The ladder shall be only be positioned flat on its feet.
- Identify any electrical risks in the work area, such as overhead lines or other exposed electrical equipment. This ladder does not offer insulation or protection from electrical hazards.

## **Positioning the Step Ladder**

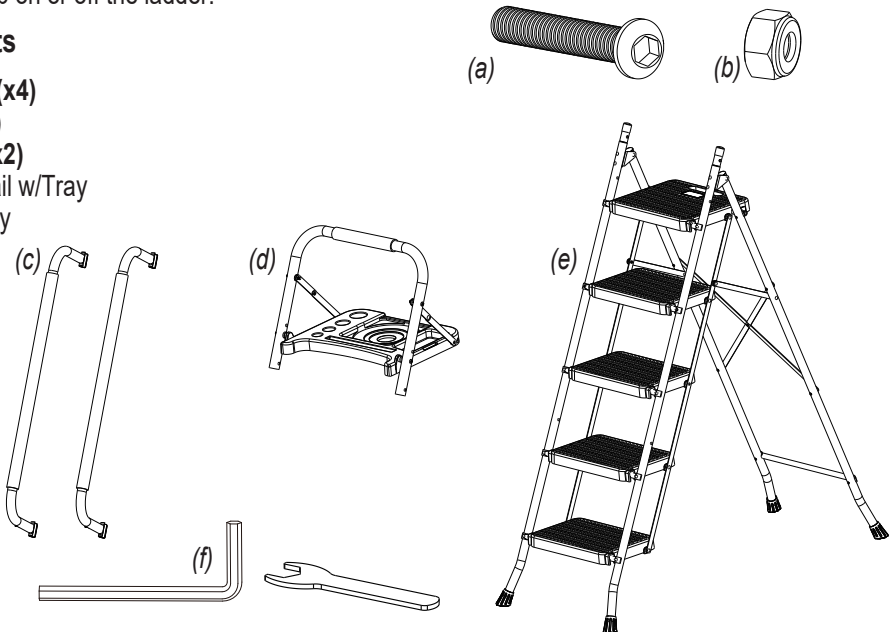
- Ensure the ladder is fully collapsed before moving and the ladder is free from contaminants before moving
- Only position and use the ladder on an even, level, and unmovable base.
- When positioning the ladder, consider risks such as pedestrians, vehicles, or doors. Secure doors (not fire exits) and windows where possible.
- The ladder must be positioned flat on its feet.
- Ensure the step ladder is fully extended, with the top shelf securely locked into position before use.
- Never attempt to move or reposition the ladder from above.

## Using

- **Weight Limit:** Do not exceed the maximum weight capacity of **150kg**.
- **Stable Surface:** Always place the step ladder on a flat, even stable surface that is not slippery before use.
- **One Person Use:** Only one person should use the step ladder at a time.
- **Use Safety Rail:** Hold onto the safety rail when stepping on or off the ladder.
- **Avoid Leaning:** Do not overreach or lean excessively while standing on the ladder.
- Ladders should only be used for light work of short duration.
- Use non-conductive ladders for unavoidable live electrical work. This ladder is not suitable for live electrical work as it is conductive and offers no protection from electrical hazards.
- Never erect or use the ladder upside down. The base should always sit firmly on the ground.
- **DO NOT** use the ladder outside in adverse weather conditions, such as strong wind or rain.
- Equipment carried while using a ladder should be light and easy to handle.
- Face the ladder and keep a secure grip when ascending and descending.
- Always maintain 3 points of contact with the ladder at all times e.g. two feet on the same rung and a hand on the stiles. Use additional safety equipment if this is not possible.
- Maintain a handhold whilst working from a ladder or take additional safety precautions if you cannot.
- **DO NOT** overreach; always keep your belt buckle (navel) inside the stiles and both feet on the same step/rung through out the task.
- Avoid work that imposes a sideways load on standing ladders, such as side-on drilling through solid materials (e.g. brick or concrete).
- **DO NOT** step off a leaning ladder at a higher level.
- **DO NOT** step off the side of the ladder.
- **DO NOT** spend long periods on a ladder without regular breaks (**tiredness is a risk**).
- **DO NOT** use near hot surfaces, cookers or hot water in case of fall.
- **DO NOT** jump on or off the ladder.

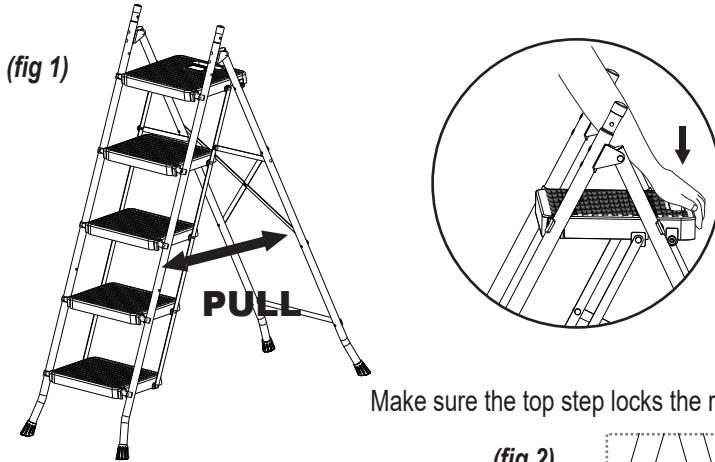
## Supplied Parts

- (a) M6x35 Bolt (x4)
- (b) M6 Nut (x4)
- (c) Handrails (x2)
- (d) Top Handrail w/Tray
- (e) Ladder Body
- (f) Tool Kit

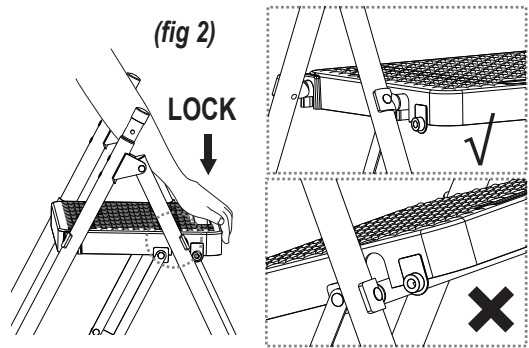


## Assembly

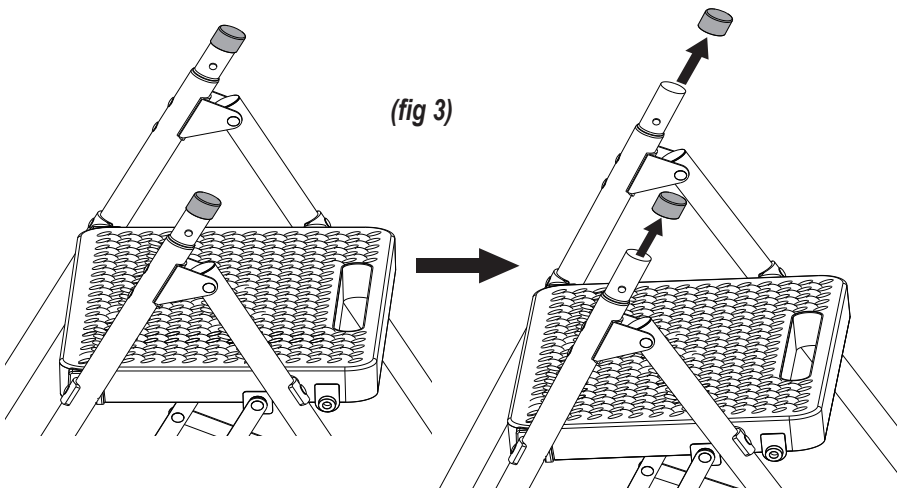
Open the ladder by pulling the ladder body apart and pushing the top step down. **(fig 1)**



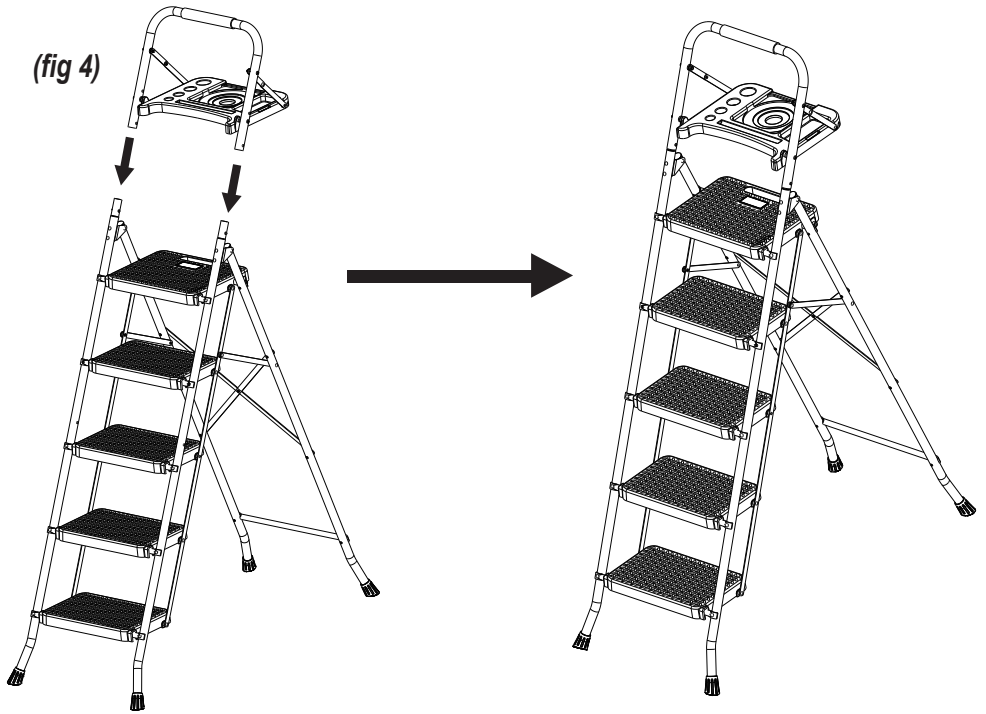
Make sure the top step locks the rod firmly. **(fig 2)**



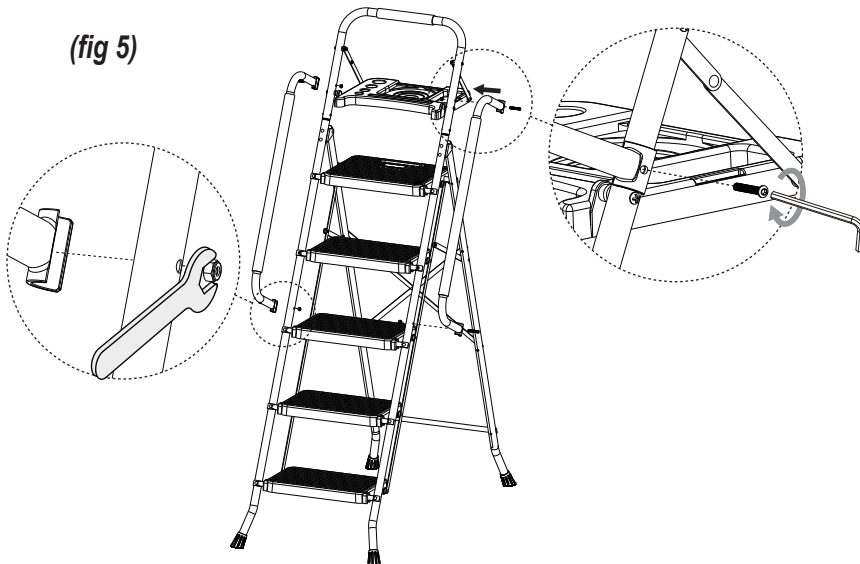
Remove plastic covers from the top of the ladder body. **(fig 3)**



Install the top handrail to the top of the ladder body. **(fig 4)**

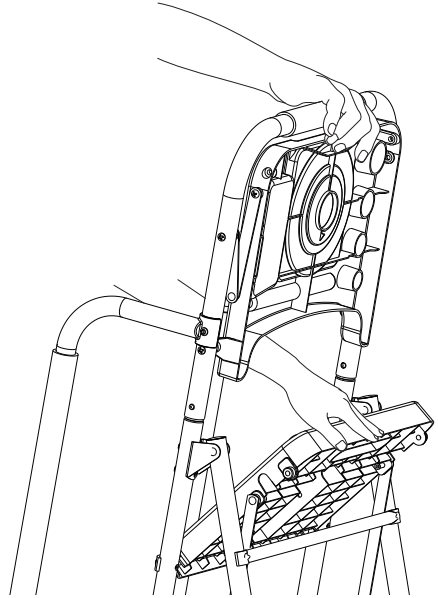


Install the handrails to either side of the ladder **(fig 5)**



## How to Unfold

Hold the handrail and the other hand lifts the back of the top step.



## Inspection Checklist

Before using the ladder, conduct the following safety inspection: If you answer yes to any of these questions do not use the product and consult your supplier. It is dangerous to use a ladder that might be damaged.

	Yes	No
Rungs: Are any rungs loose, cracked, bent, worn, or missing?		
Rung Locks: Are any rung locks loose, stuck, missing, or broken?		
Labels: Are any labels missing or unreadable?		
Rails: Are any rails loose, cracked, bent, split, frayed, or worn?		
Hardware: Are any screws, bolts, or fixings missing, loose, or broken?		
Shoes: Are any shoes worn, broken, unstable, loose, or missing?		
Stability Bar: If applicable, is the stability bar loose, cracked, bent, worn, or missing?		
Cleanliness: Is the ladder free from dirt, water, oil, or other contaminants?		
Secure Area: Have all necessary safety precautions been taken?		
Fit for Purpose: Is the ladder and any tools being used fit for the task at hand?		
Additional Measures: Have all necessary safety measures been implemented?		

## Cleaning

- The step ladder should be cleaned using a non-abrasive cleaner or mild detergent with a soft cloth only.
- Do not use abrasive cleaners or abrasive cleaning pads.
- Always ensure that you wipe dry the equipment after cleaning.
- Periodically check the step ladder for any signs of damage,if in doubt,contact your supplier.

## Maintenance

Please check the Step ladder including the bolts and screws periodically for any signs of damage, loosening or wear.If any is detected do not use and contact your supplier.

## Technical Information

	<b>4Step</b>	<b>5Step</b>
Extended Dimensions	1440x505x925mm	1680x515x1060mm
Folded Dimensions	1570x505x80mm	1850x515x90mm
Net Weight	9.0kg	10.5kg
Gross Weight	10.8kg	12.4kg
Max Weight	150kg	150kg