

ASSEMBLY INSTRUCTION

A Handle



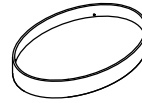
2pcs

B Post



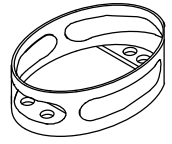
4pcs

C Upper Tray



2pcs

D Bottom Tray



1pc

E Wheel With Lock



2pcs

F Wheel



2pcs

G Bolt
Ø5/32"x20mm



16pcs

H Screw
Ø8x15mm



4pcs

I Spanner
M14

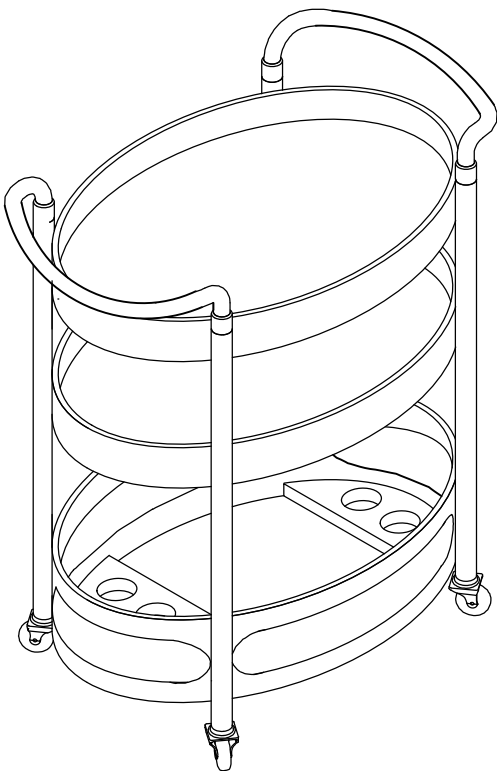


1pc

J Allen Key
M4

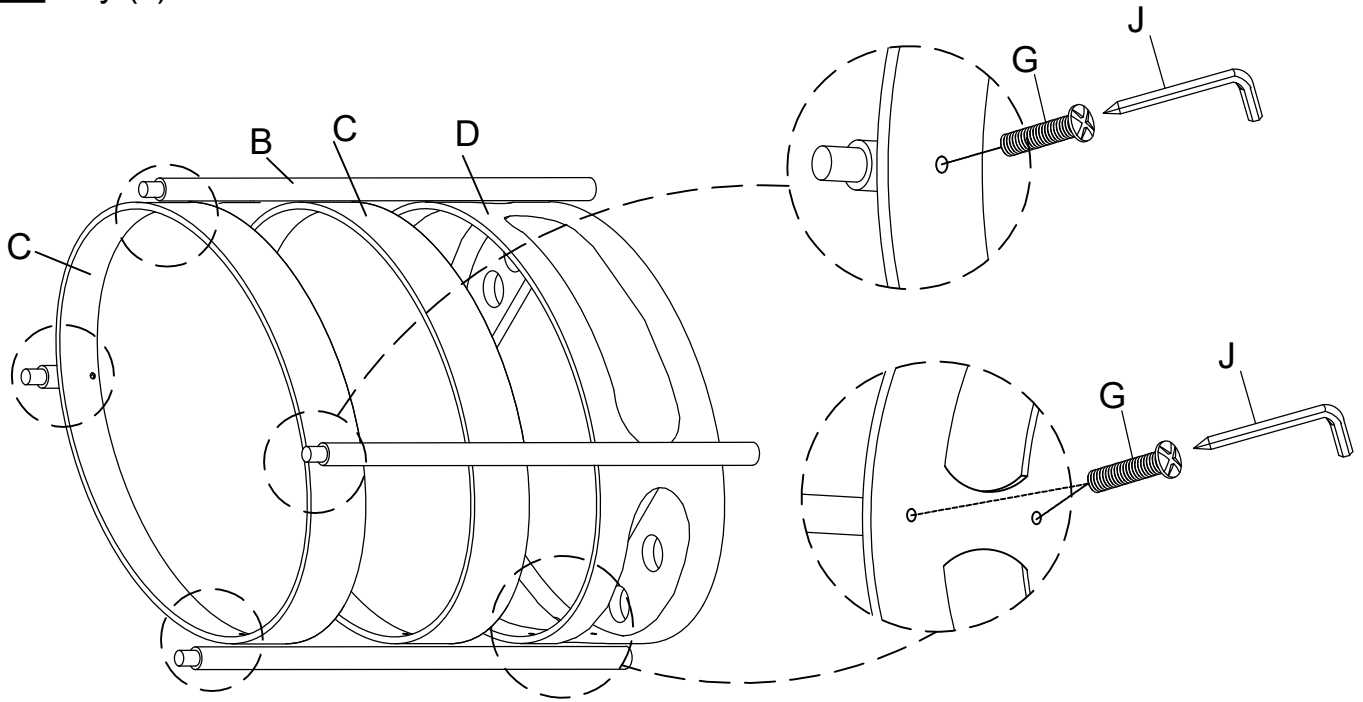


1pc

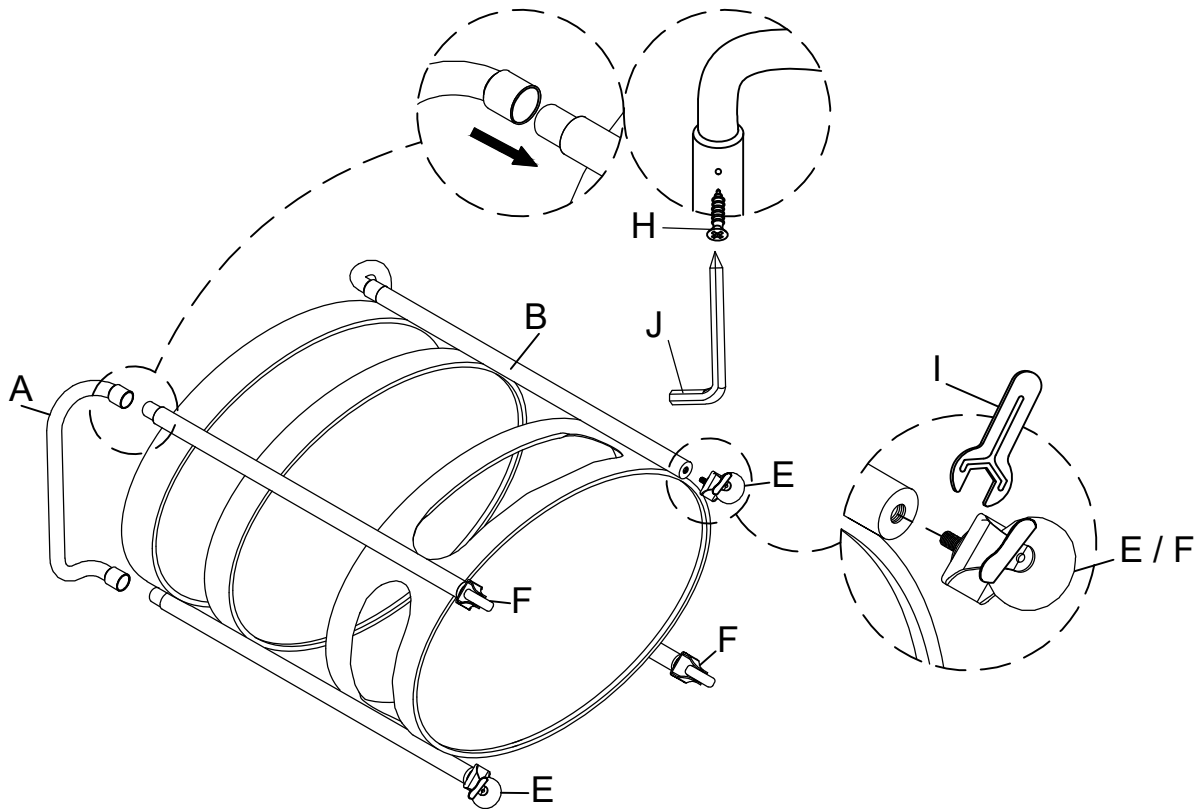


This page lists all the contents included in the box. Please take the time to identify the hardware as well as the individual components to this product. As you unpack and prepare for assembly, place the contents on a carpeted or padded area to protect them from damage.

1 Attach the Post (B) to Upper Tray (C) & Bottom Tray (D) using Bolt (G) by Allen Key (J).



2 Attach to Handle (A) to the top of Post (B) using Screw (H) by Allen Key (J), attach Wheel With Lock (E) & Wheel (F) to the bottom of with Spanner (I).



Cleaning & Care

Treat surface with care. Surface is resistant to scratches but is not scratch resistant. Clean surfaces with a dry or damp soft cloth. Do not use abrasive cleaners. Hardware may loosen over time. Periodically check that all connections are tight.