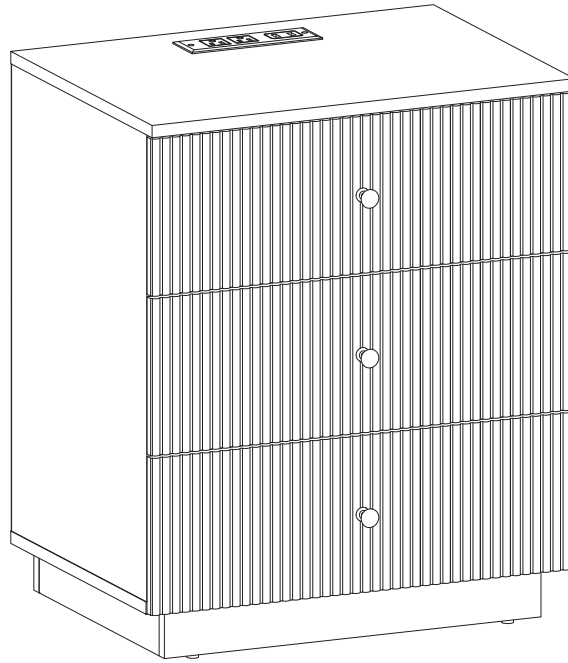
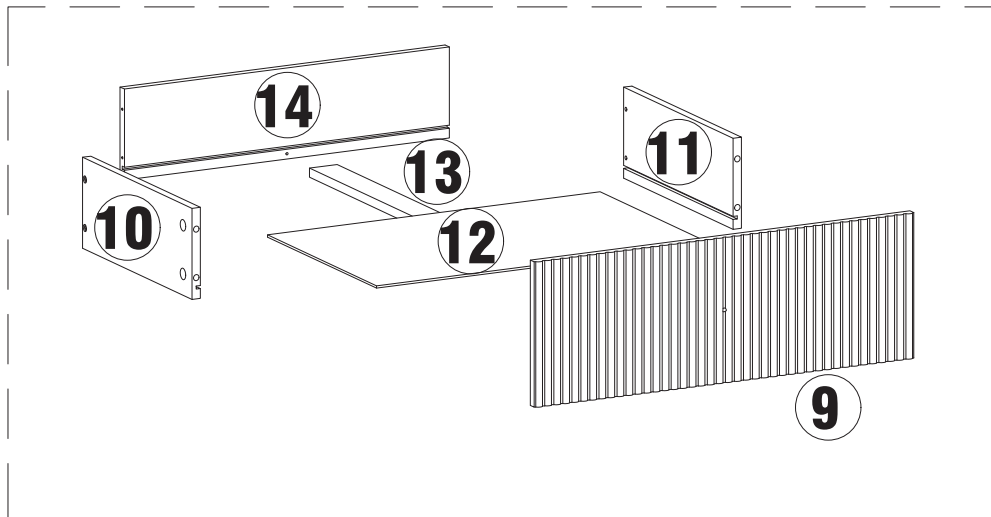
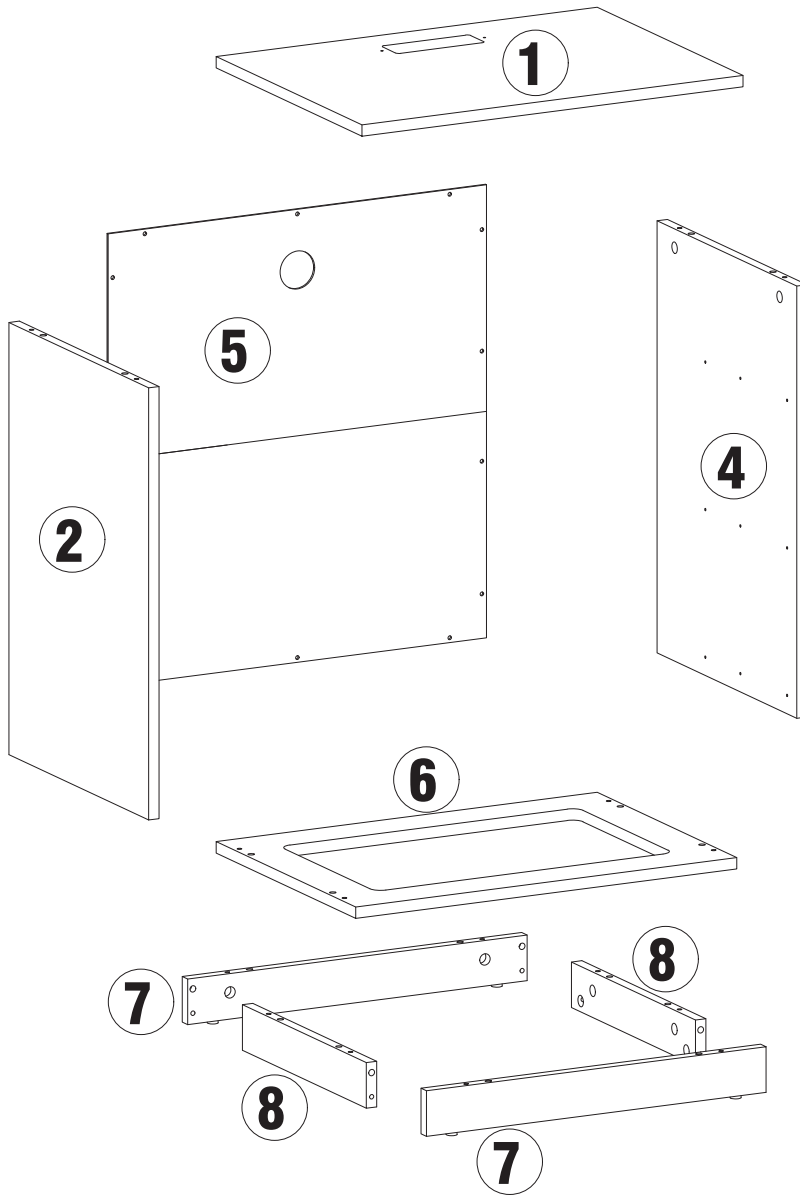


ASSEMBLY INSTRUCTIONS



PACKAGE INCLUDE



x3

PACKAGE CONTENT

Ø6x33.5MM



A

31X+2

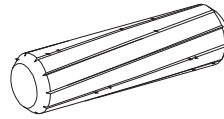
Ø15x9.5MM



B

31X+2

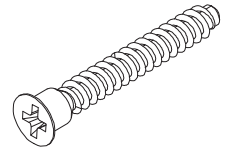
Ø6x30MM



C

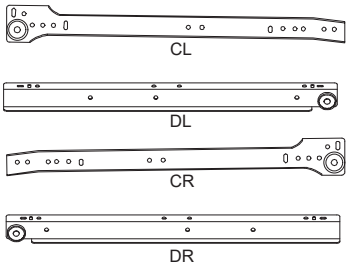
20X+2

Ø5x48MM



D

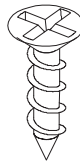
4X+1



E

3X

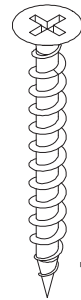
Ø3.5x12MM



F

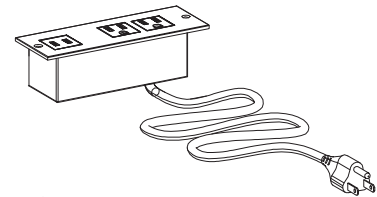
44X+2

Ø4x30MM



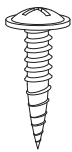
G

15X+1



H

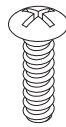
1X



I

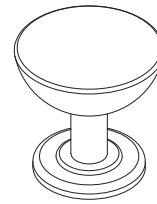
14X+2

M4x20MM



J

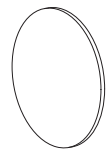
3X



K

3X

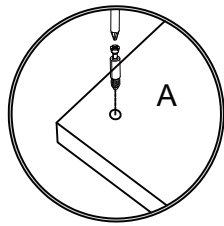
Ø30MM



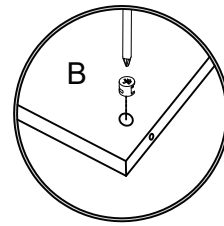
L

12X+1

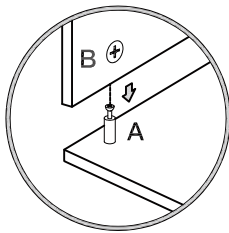
How to use the cam lock system



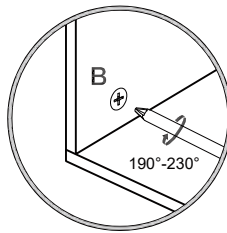
1. Screw cam bolt into panel



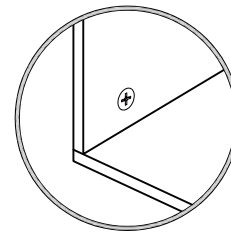
2. Push cam into panel - arrow feature on cam top points to panel edge



3. Align cam bolt(s) with cam(s) and insert all the way into cross-bored hole(s)

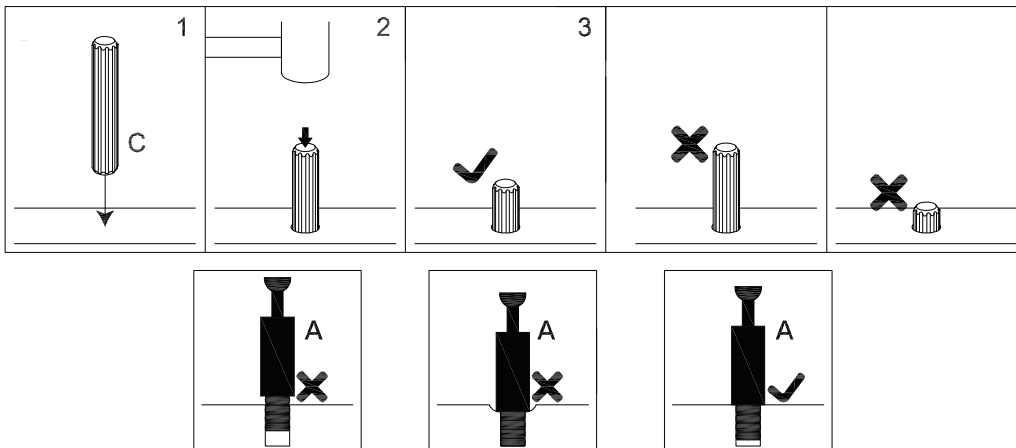


4. Rotate cam(s) clockwise 190°-230° to lock panels together



5. Panels should be tight against each other and connection should be rigid

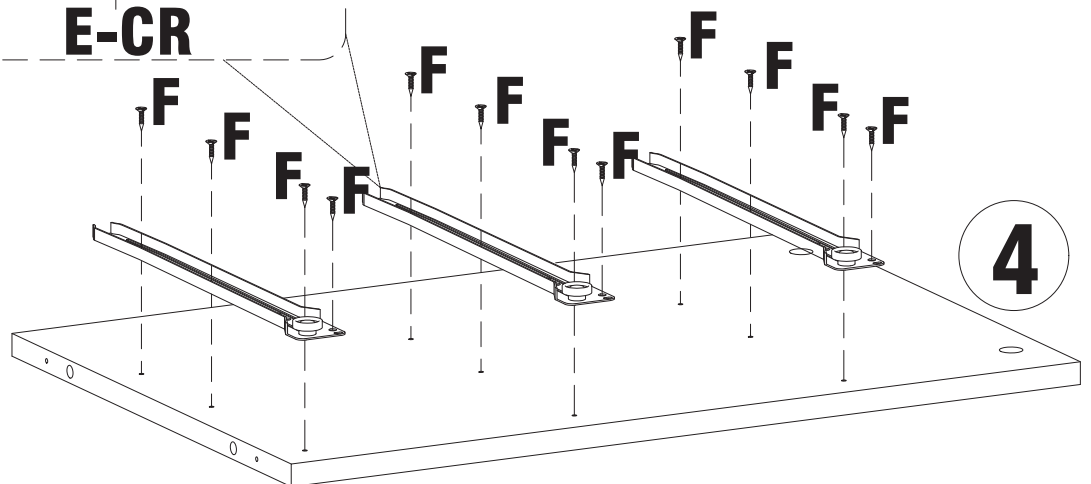
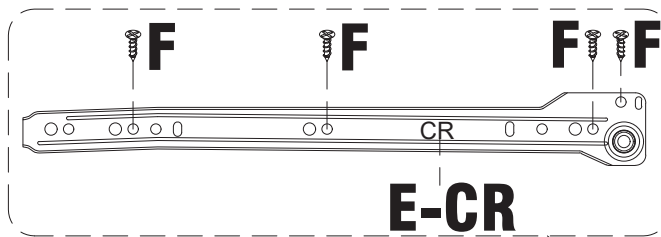
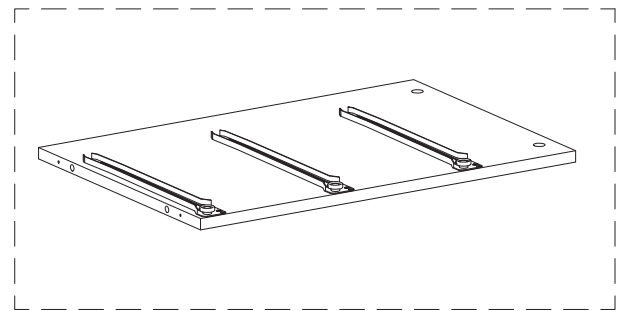
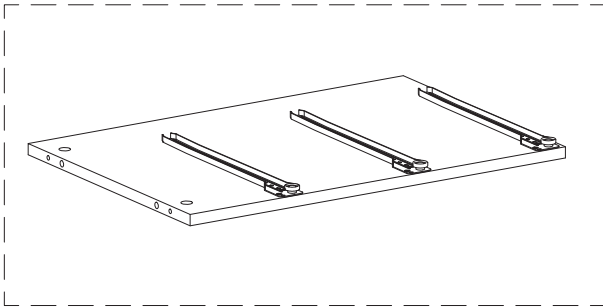
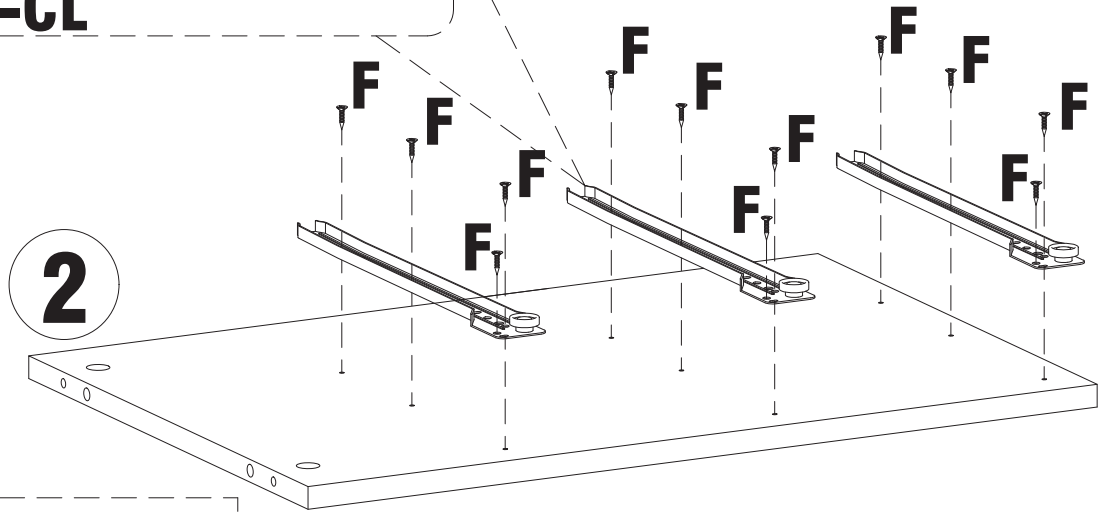
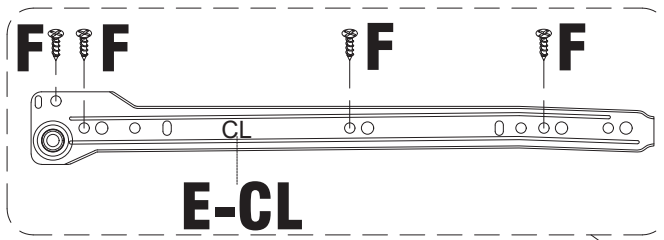
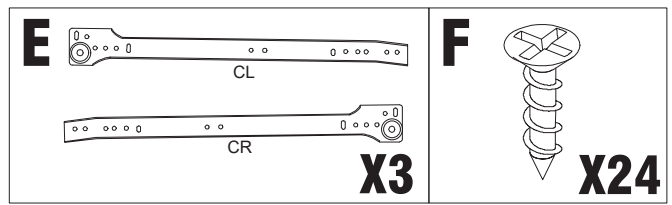
Insert the wood dowel [C] at least half way by tapping lightly with a rubber mallet, IF NECESSARY.



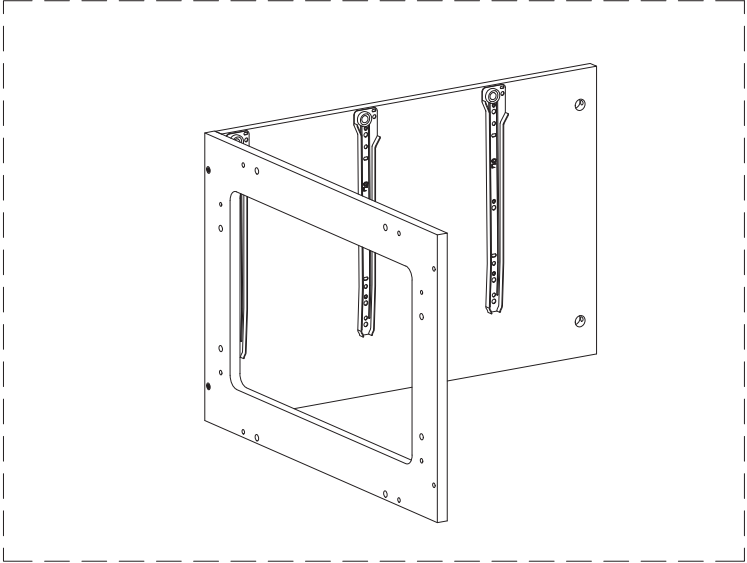
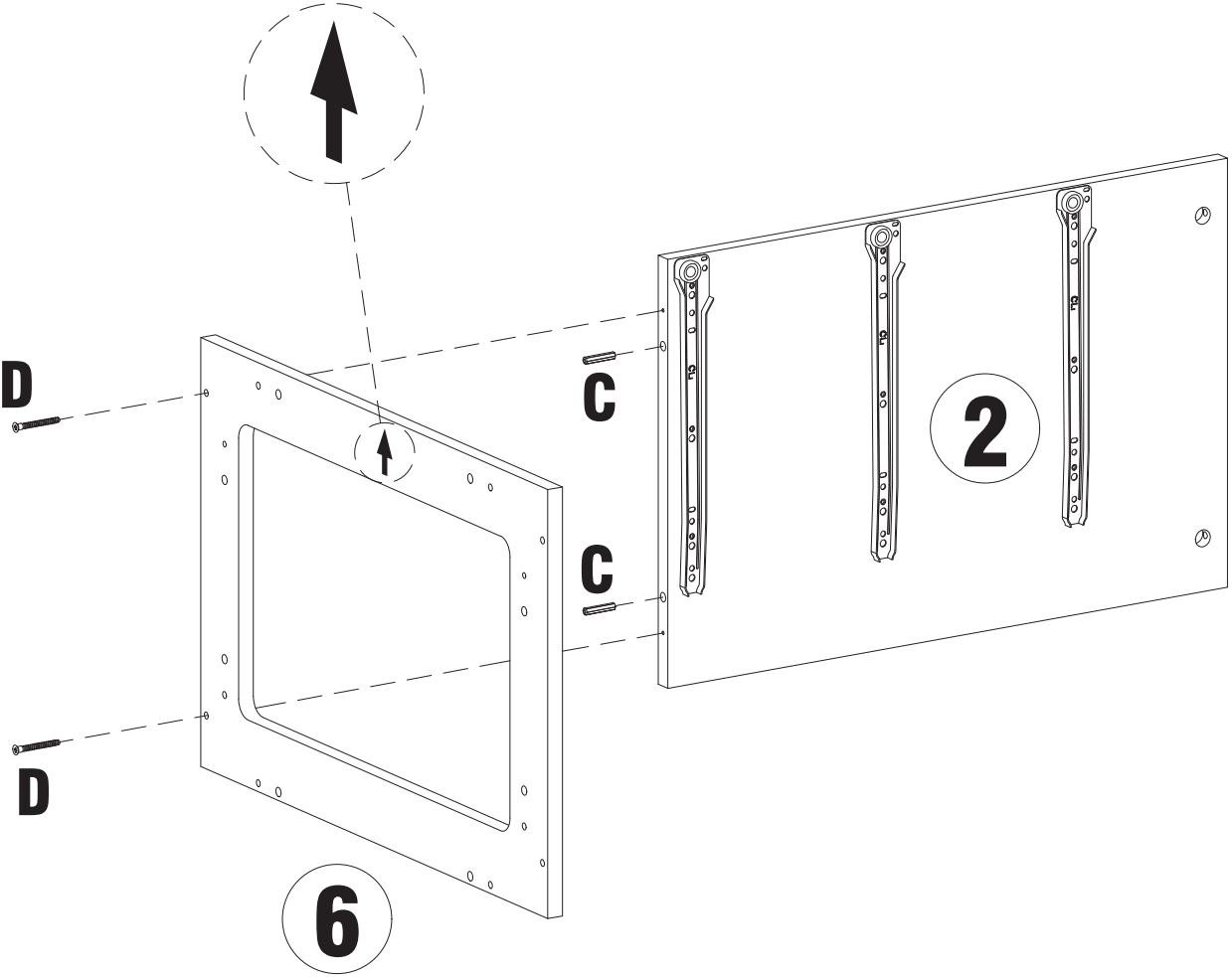
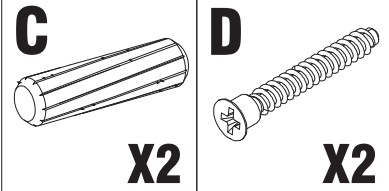
⚠ WARNING

- Unit must be placed on a level surface or leveled with included hardware (when applicable).
- Do not sit or stand on or allow children to climb, sit or stand on the assembled product.
- For safety reasons, it is imperative that this unit be mounted to the wall.
- Do not use without installing the tip restraint.
- Unit can tip over causing severe injury or death.
- Do not exceed the recommended weight limits.
- Evenly distribute the weight on each level and always keep the heavier loads on the bottom.
- Before cutting, drilling or hammering into any wall or floor surface, verify the location of electrical, plumbing and gas lines. Cutting may cause serious injury.

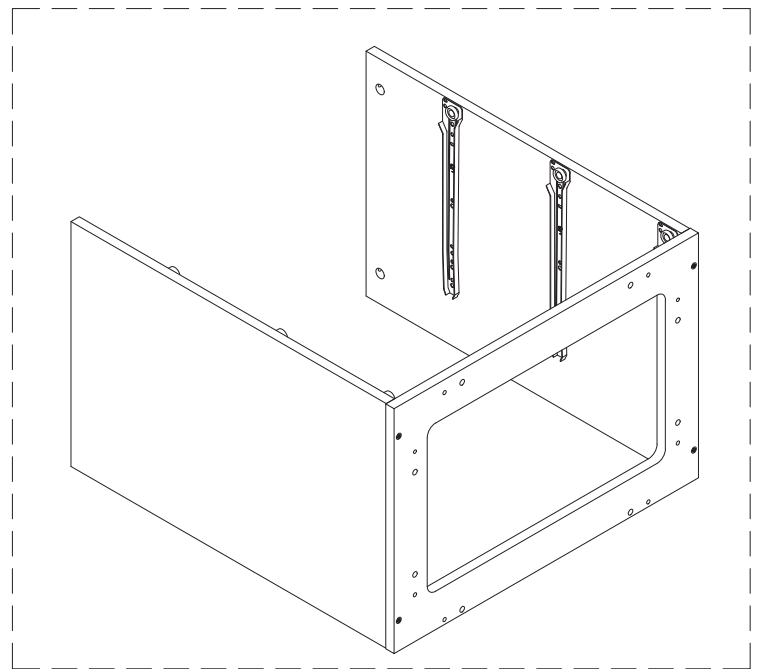
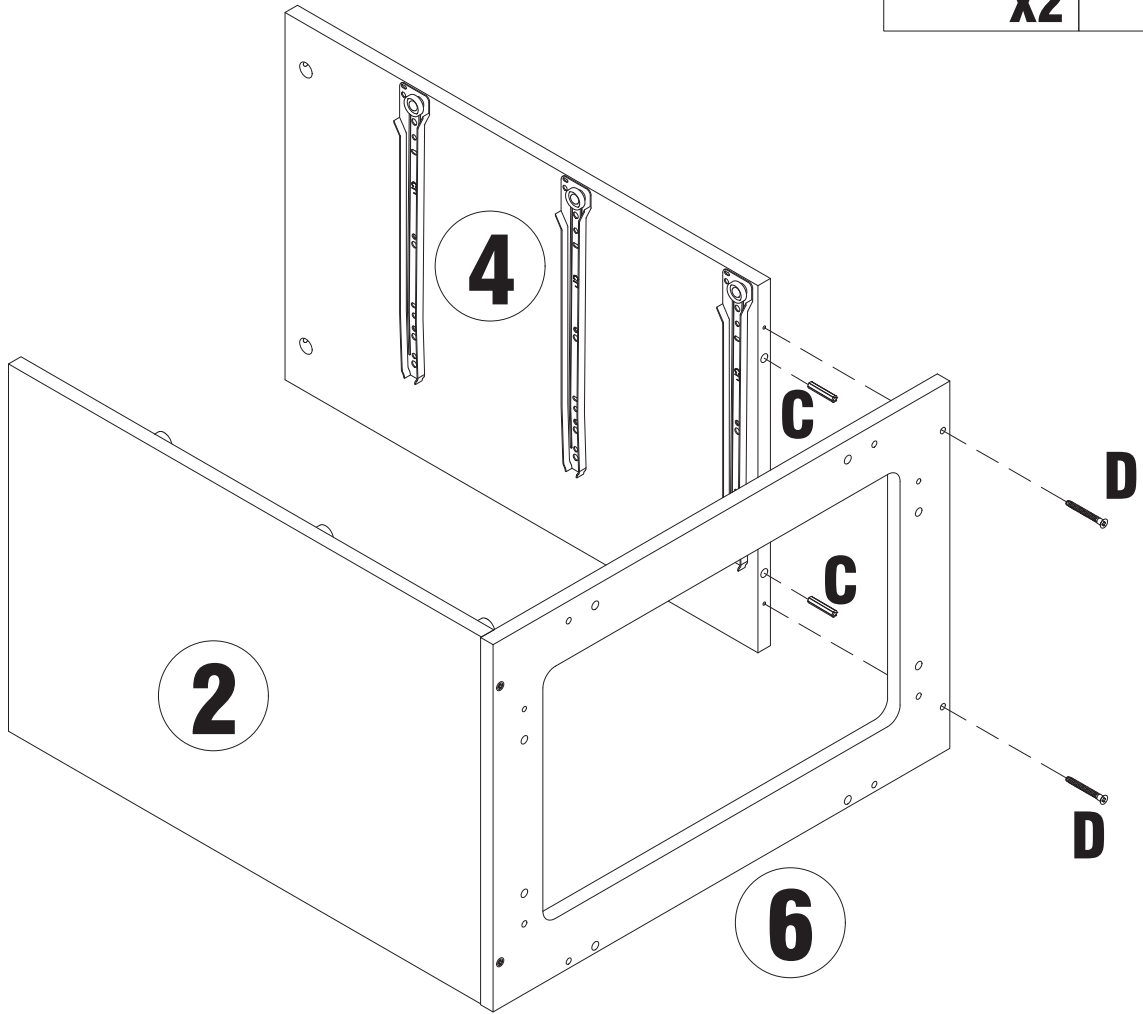
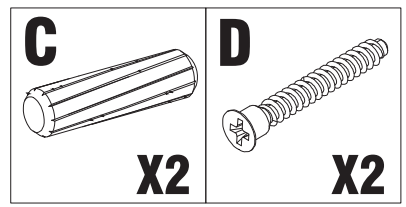
STEP 1



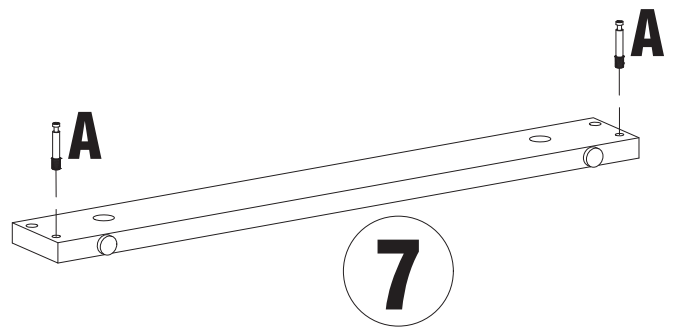
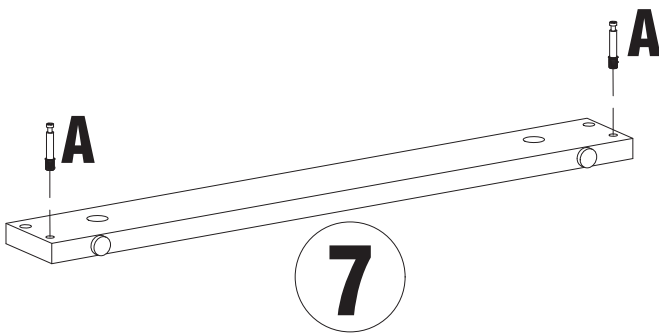
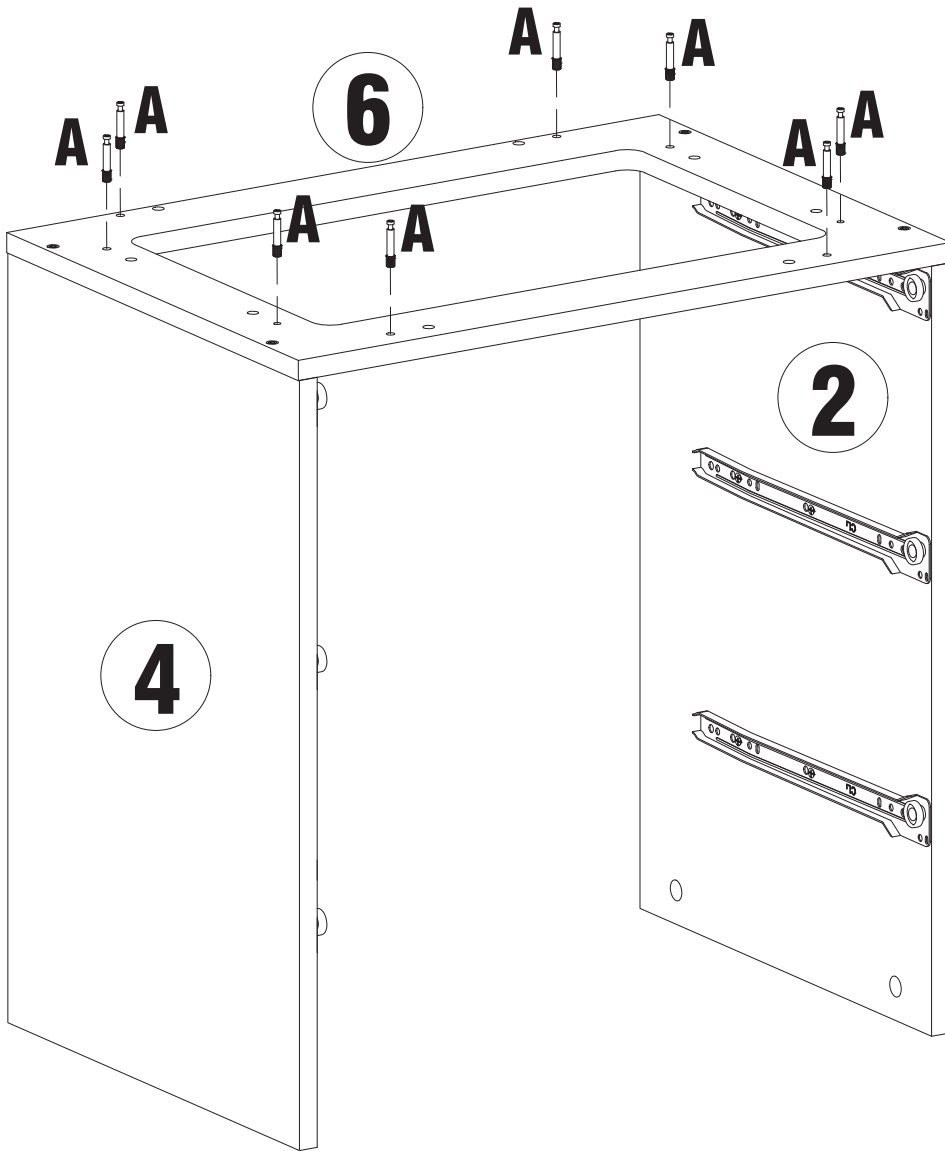
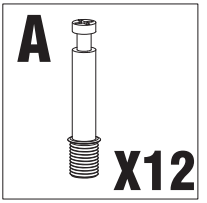
STEP 2





STEP 3

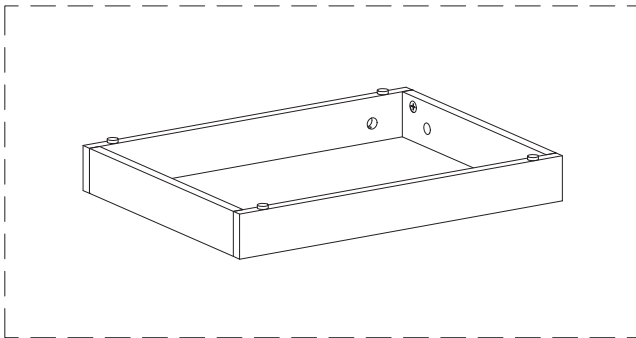
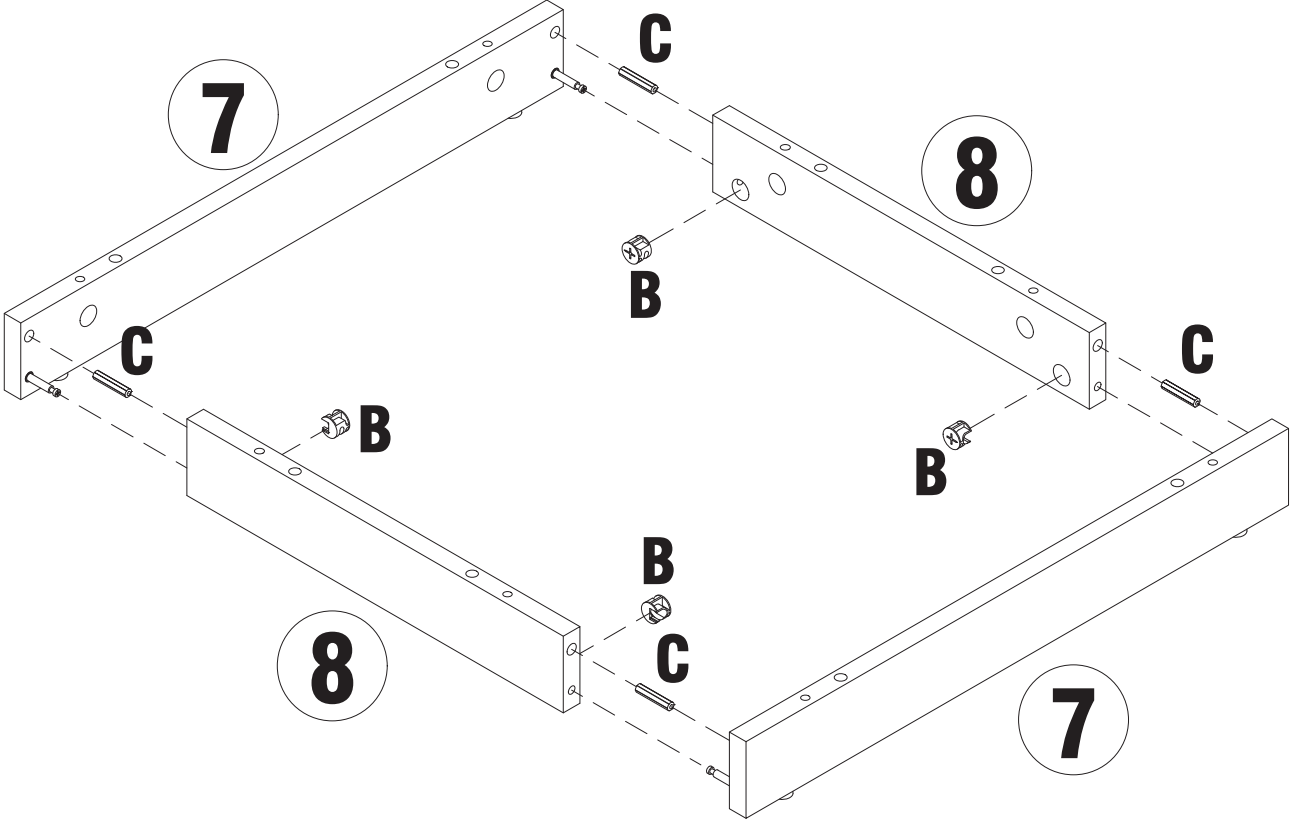


STEP 4

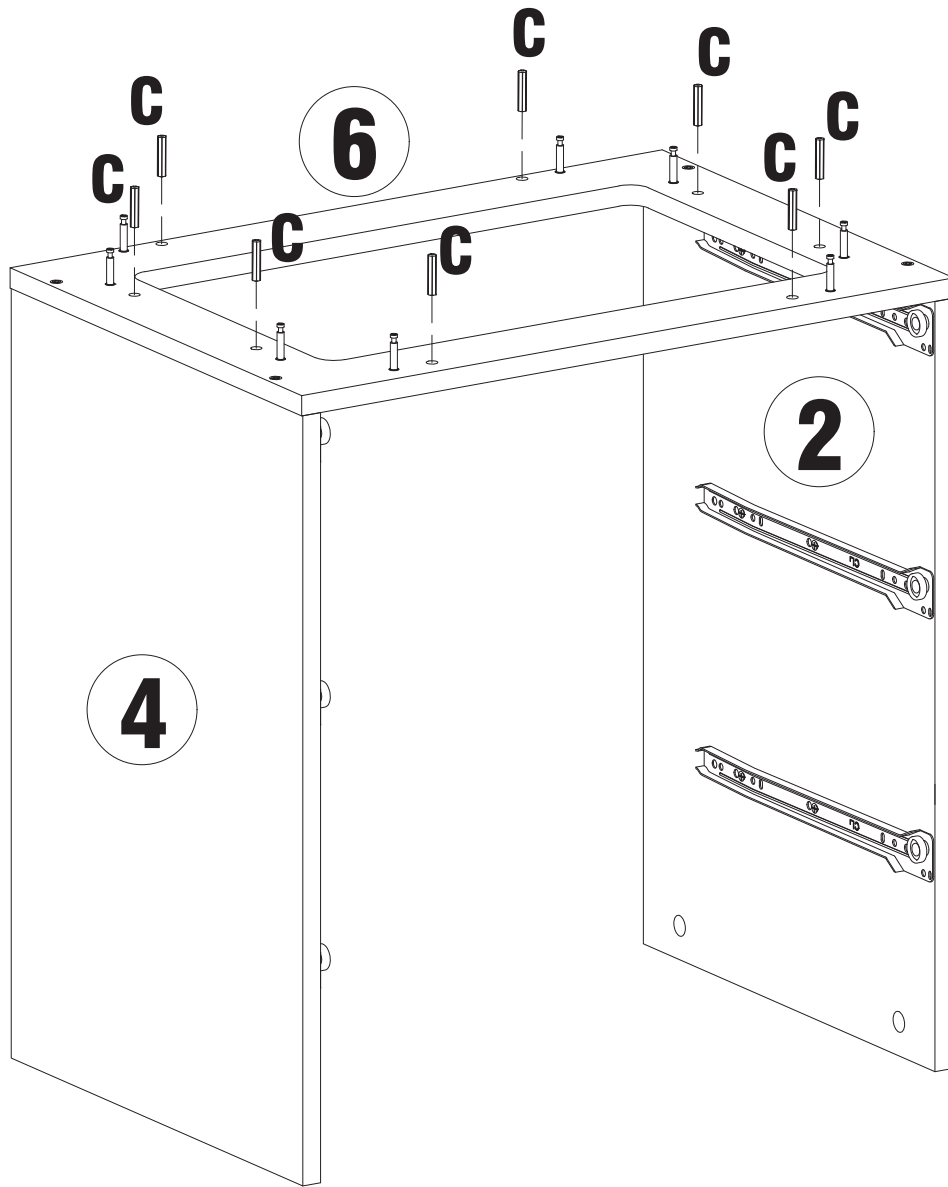
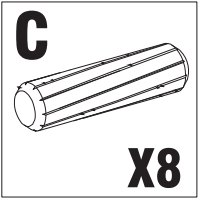


STEP 5

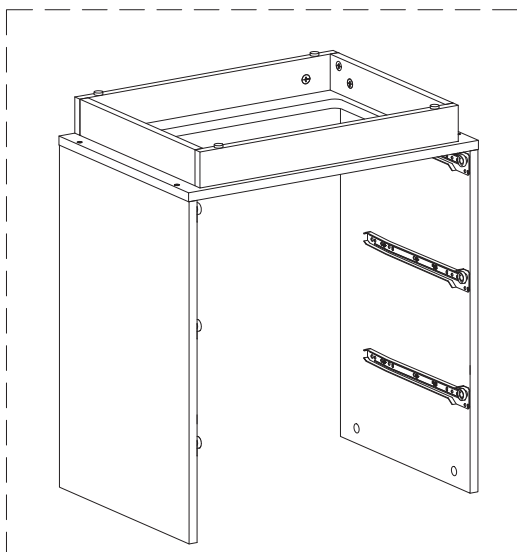
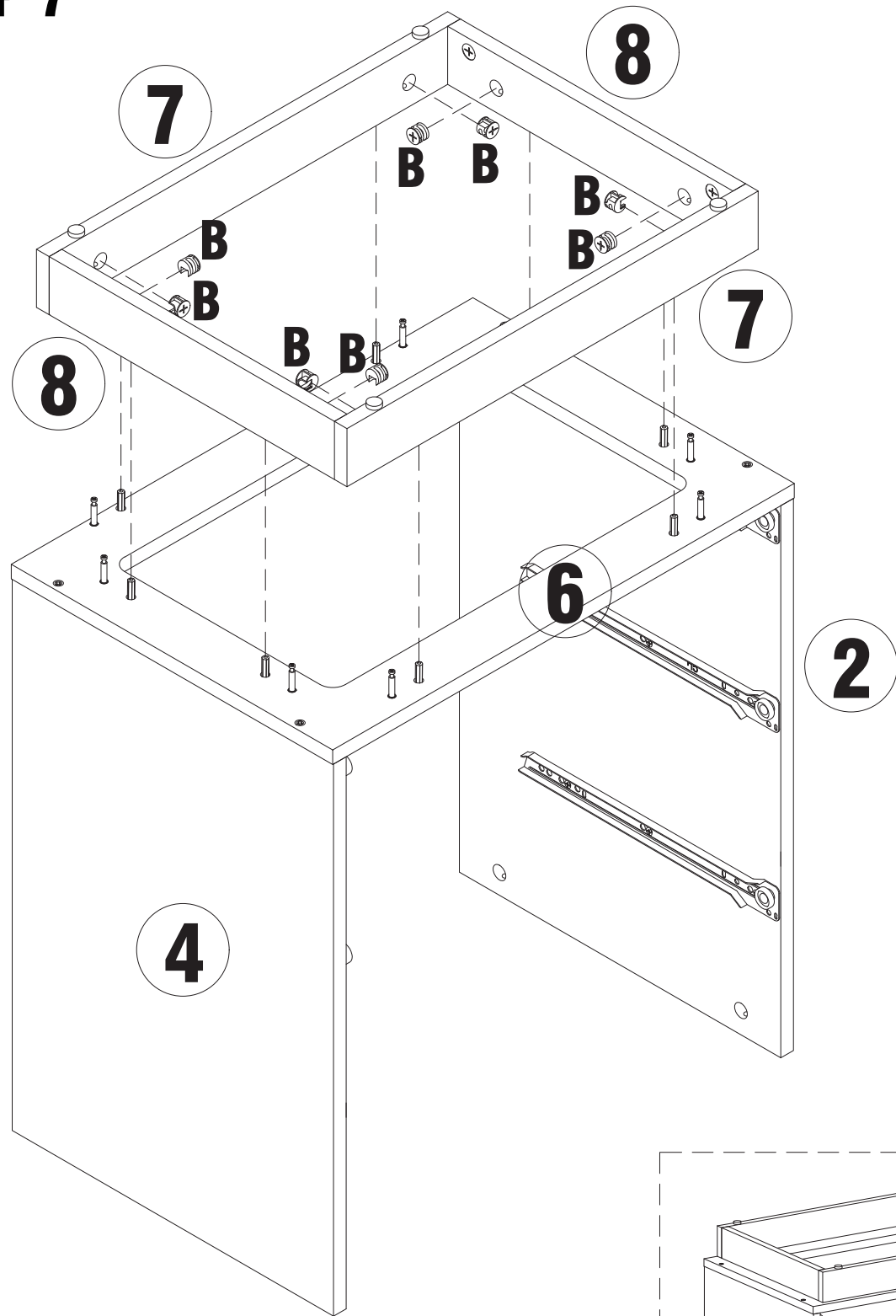
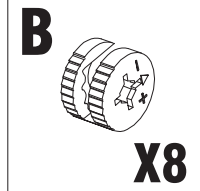
B  X4	C  X4
---	---



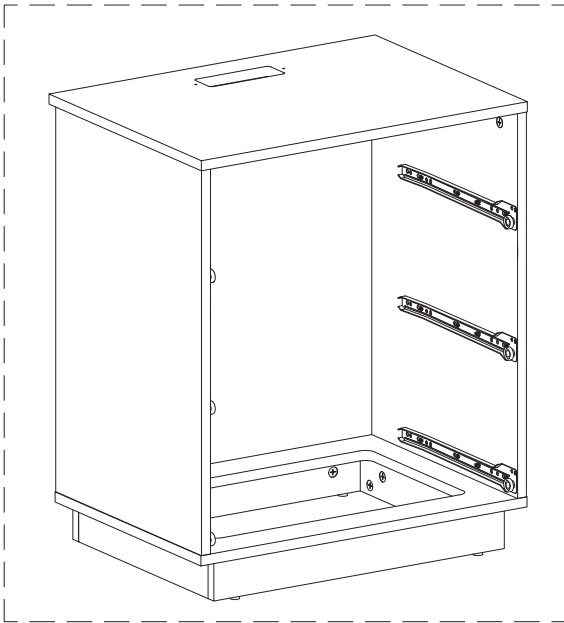
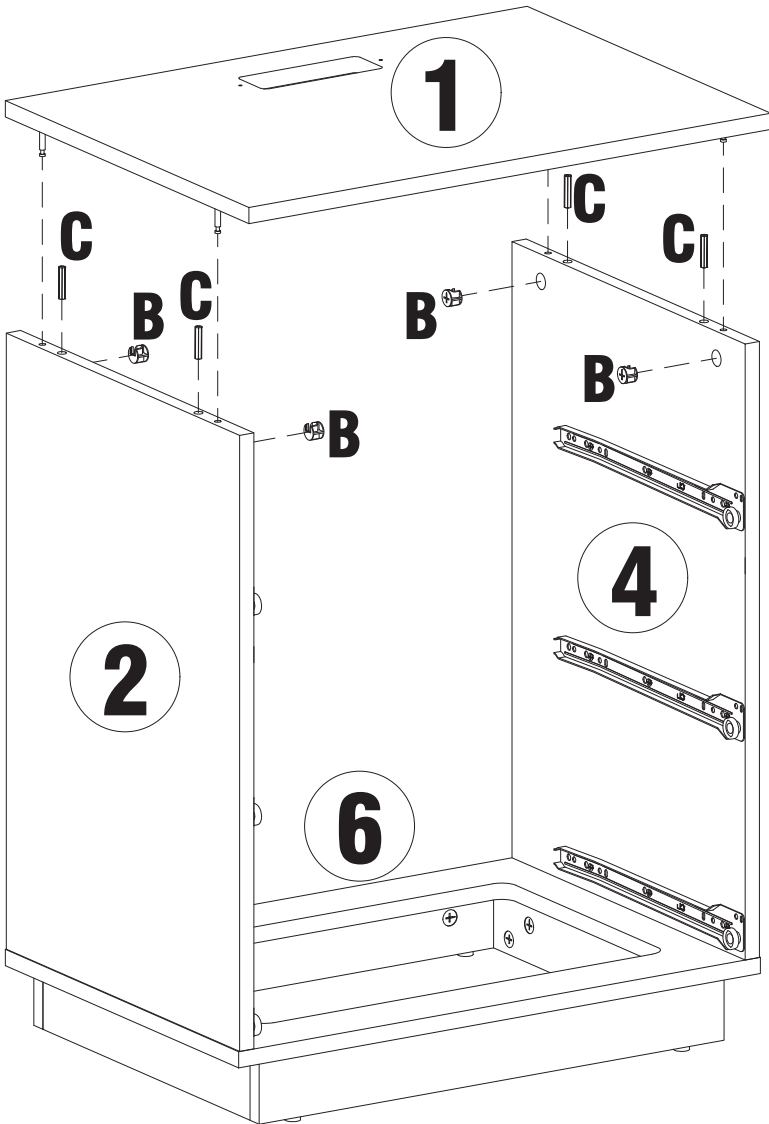
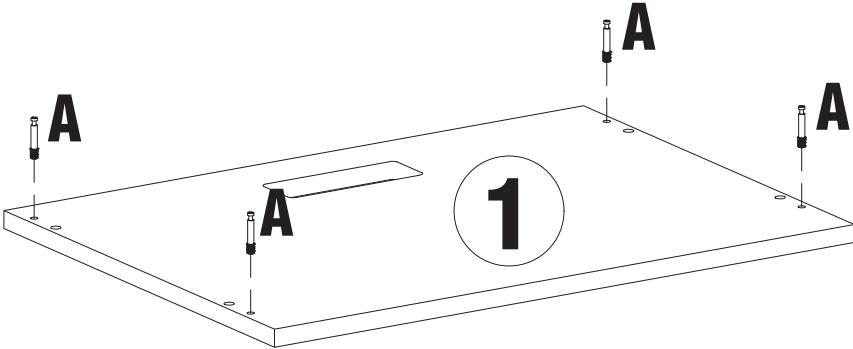
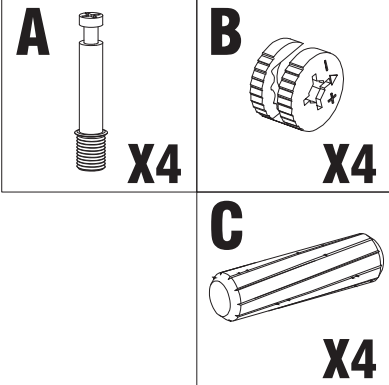
STEP 6



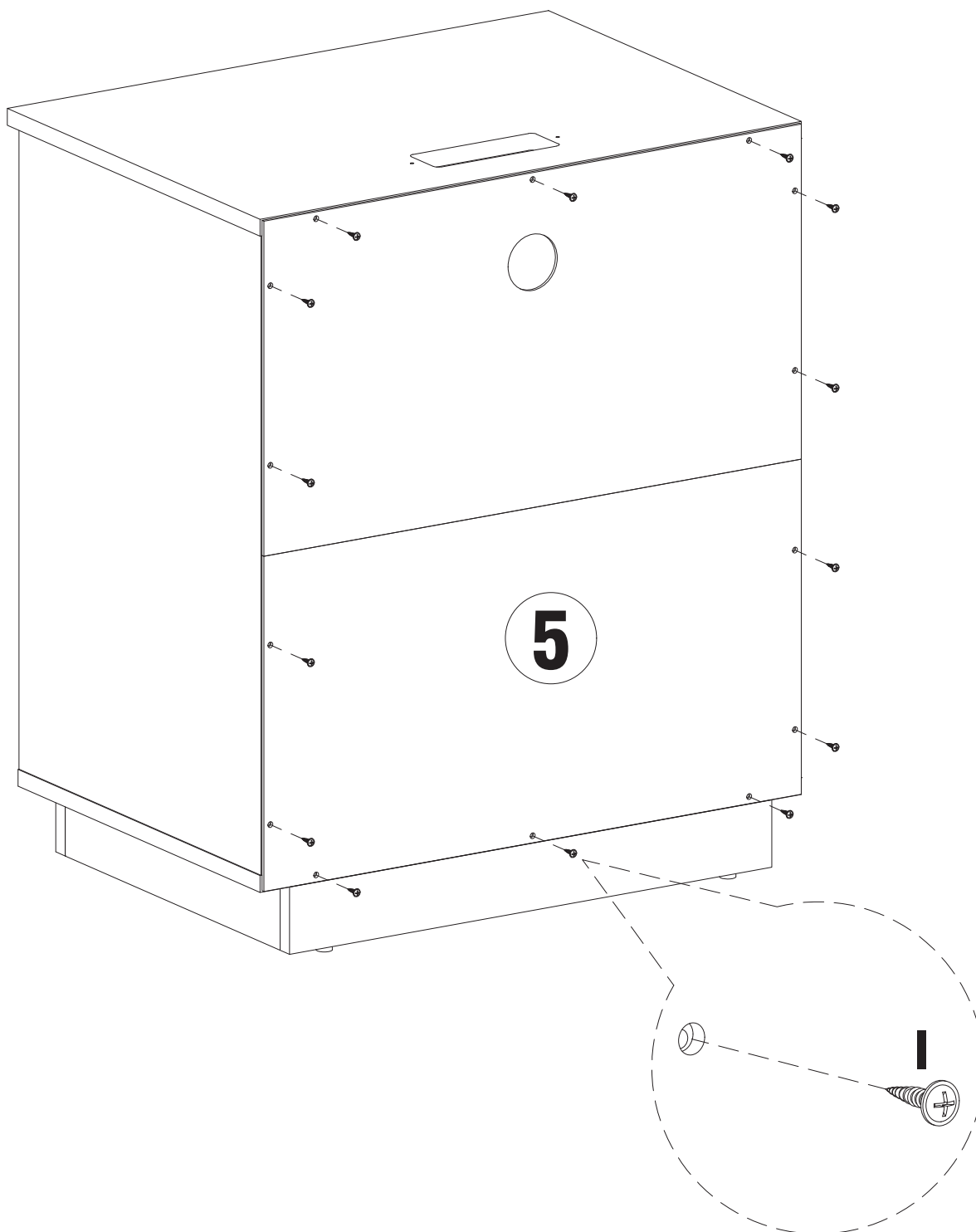
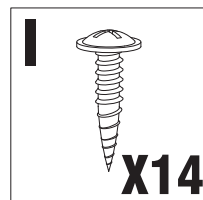
STEP 7



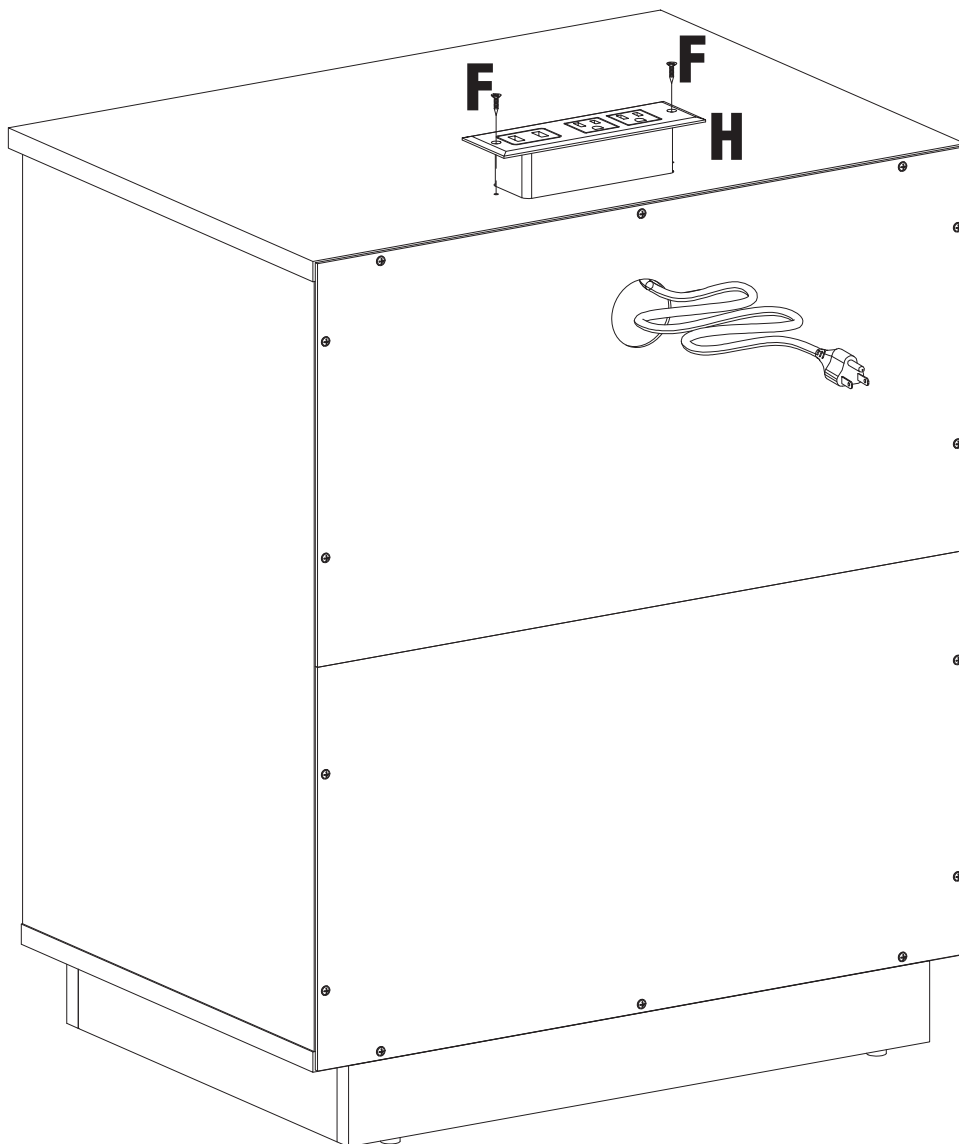
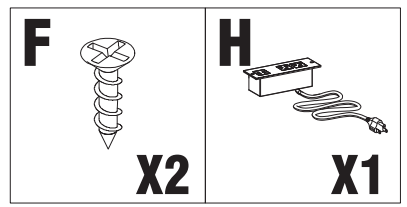
STEP 8



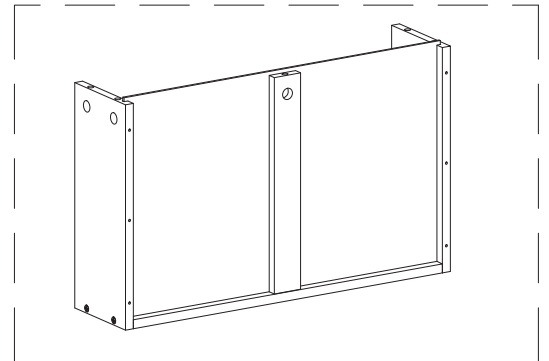
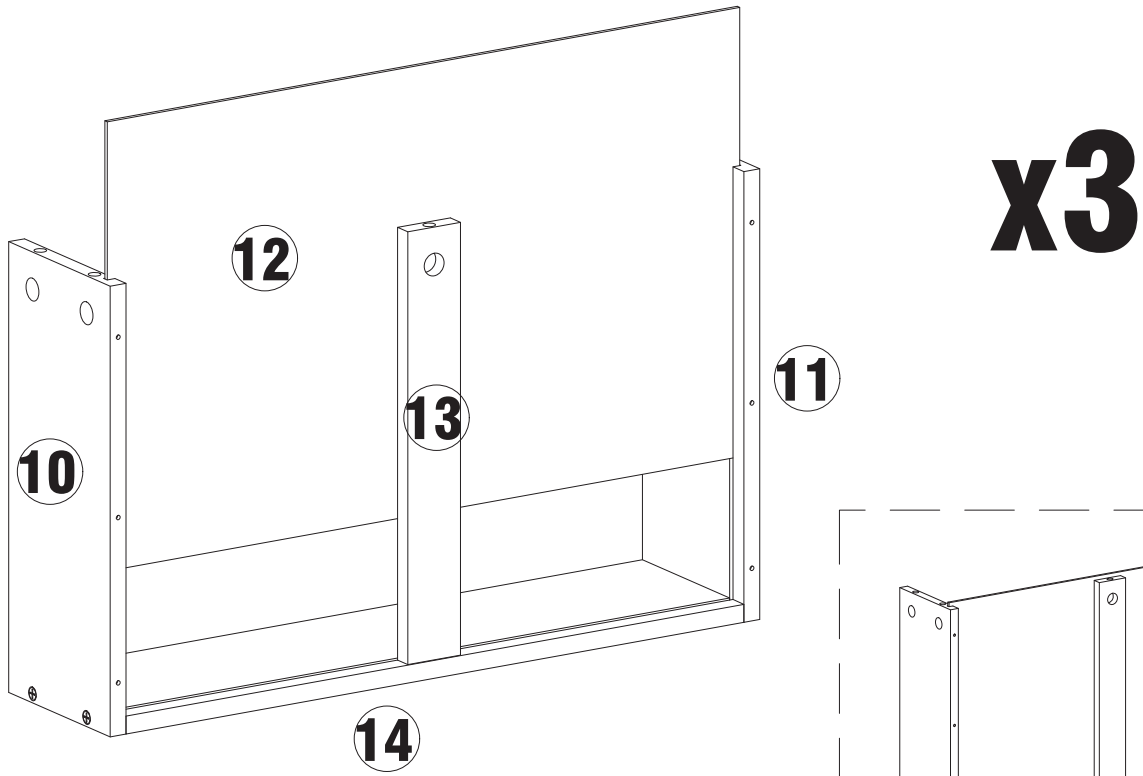
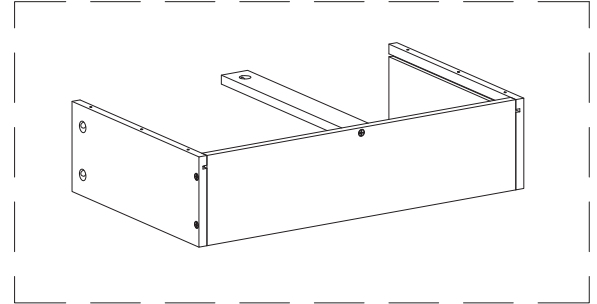
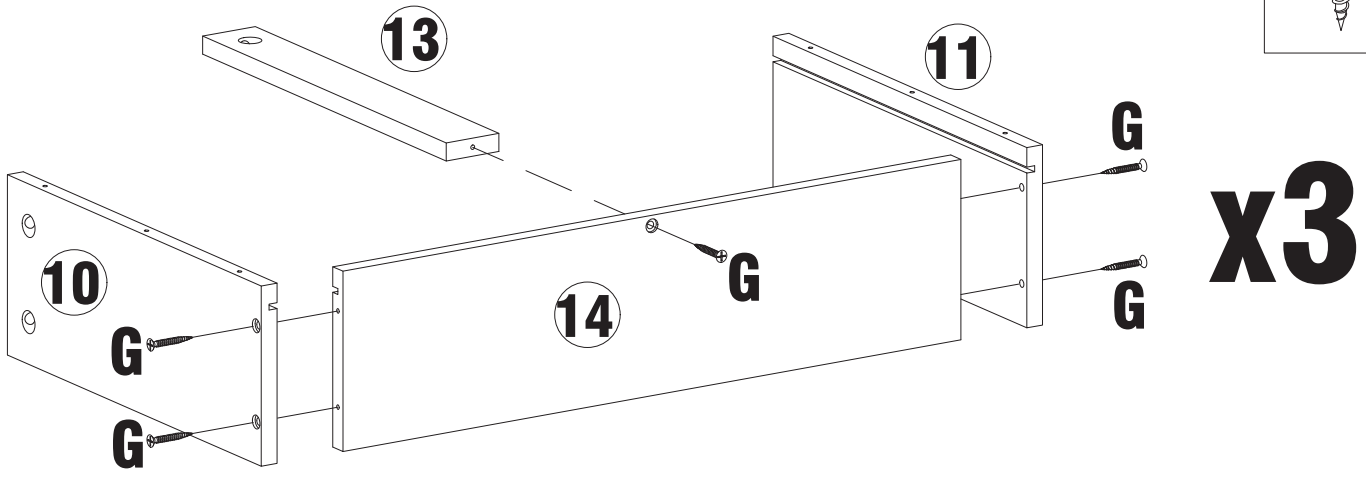
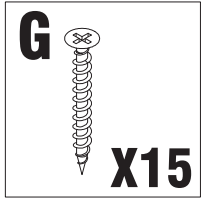
STEP 9



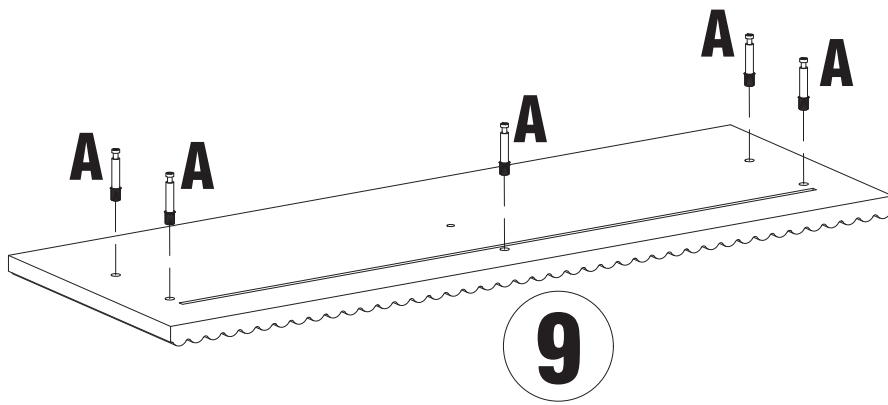
STEP 10



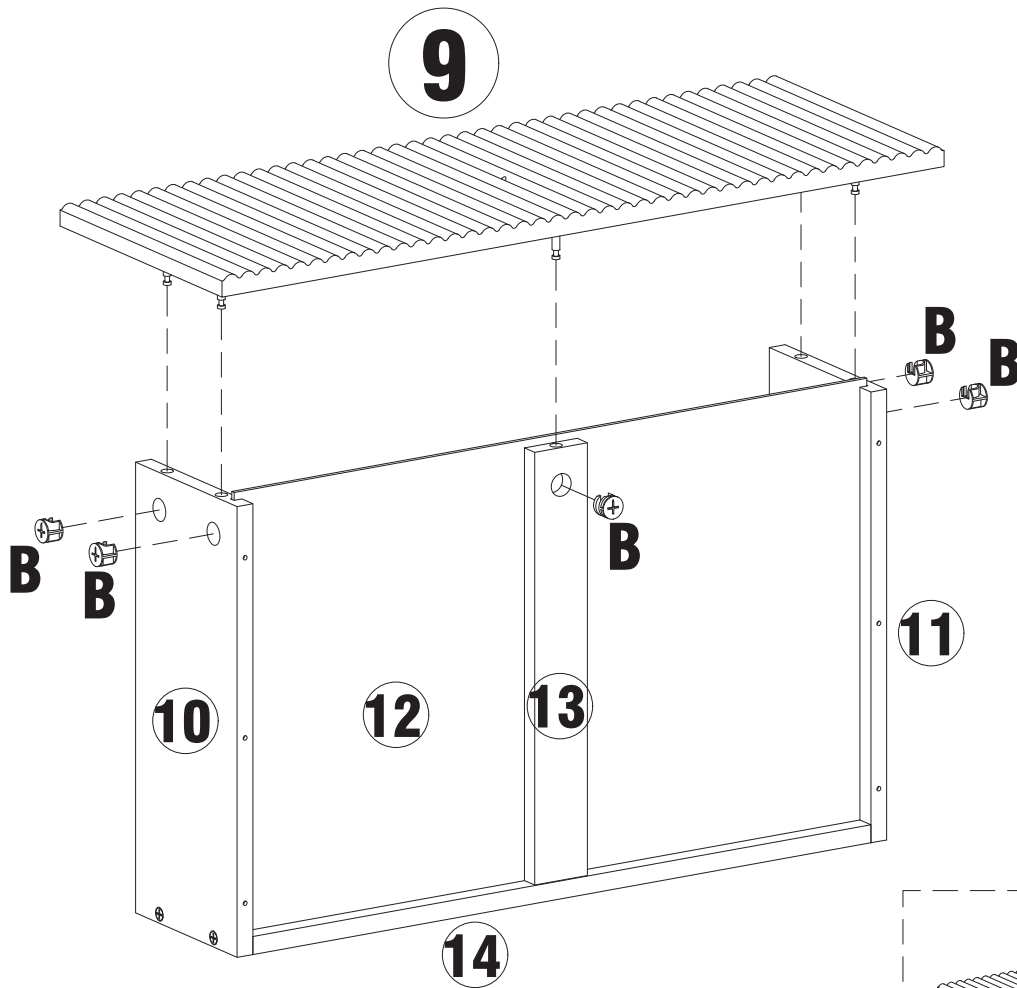
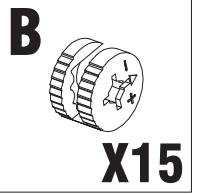
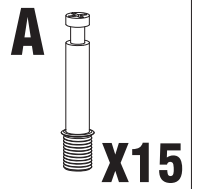
STEP 11



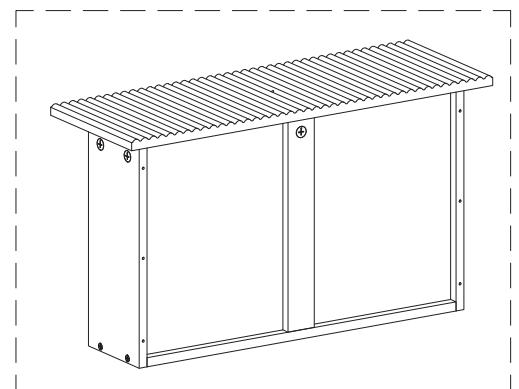
STEP 12



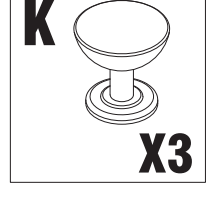
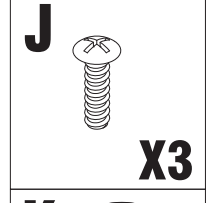
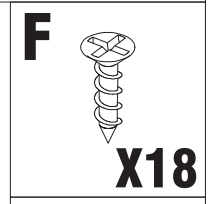
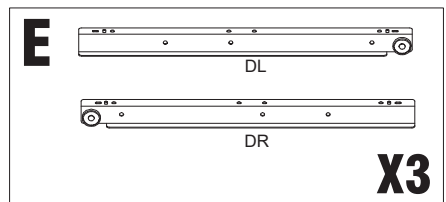
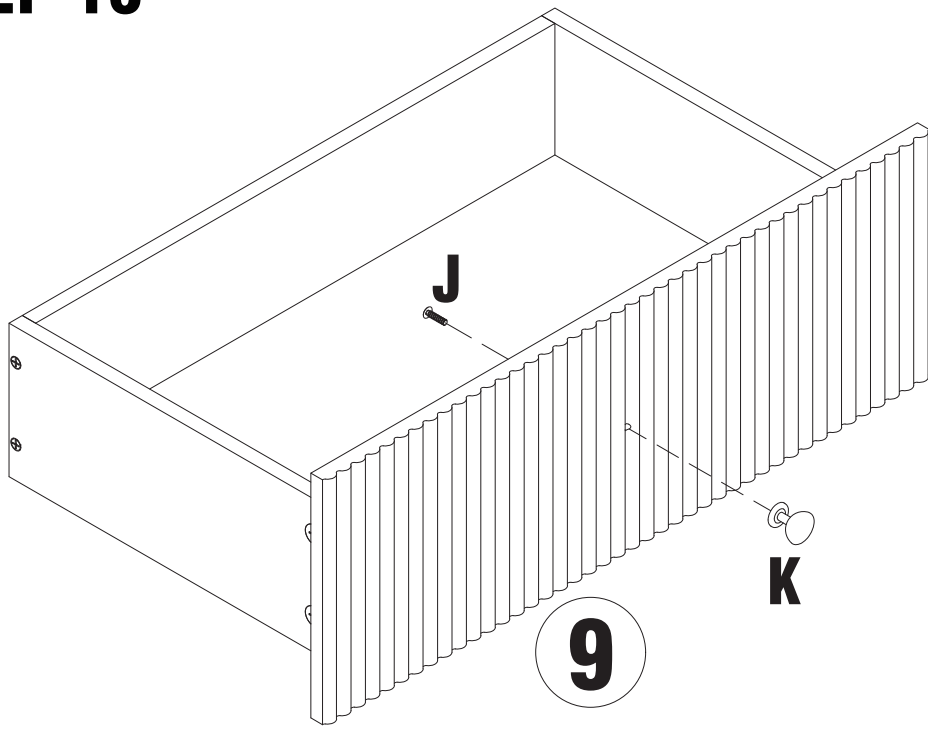
x3



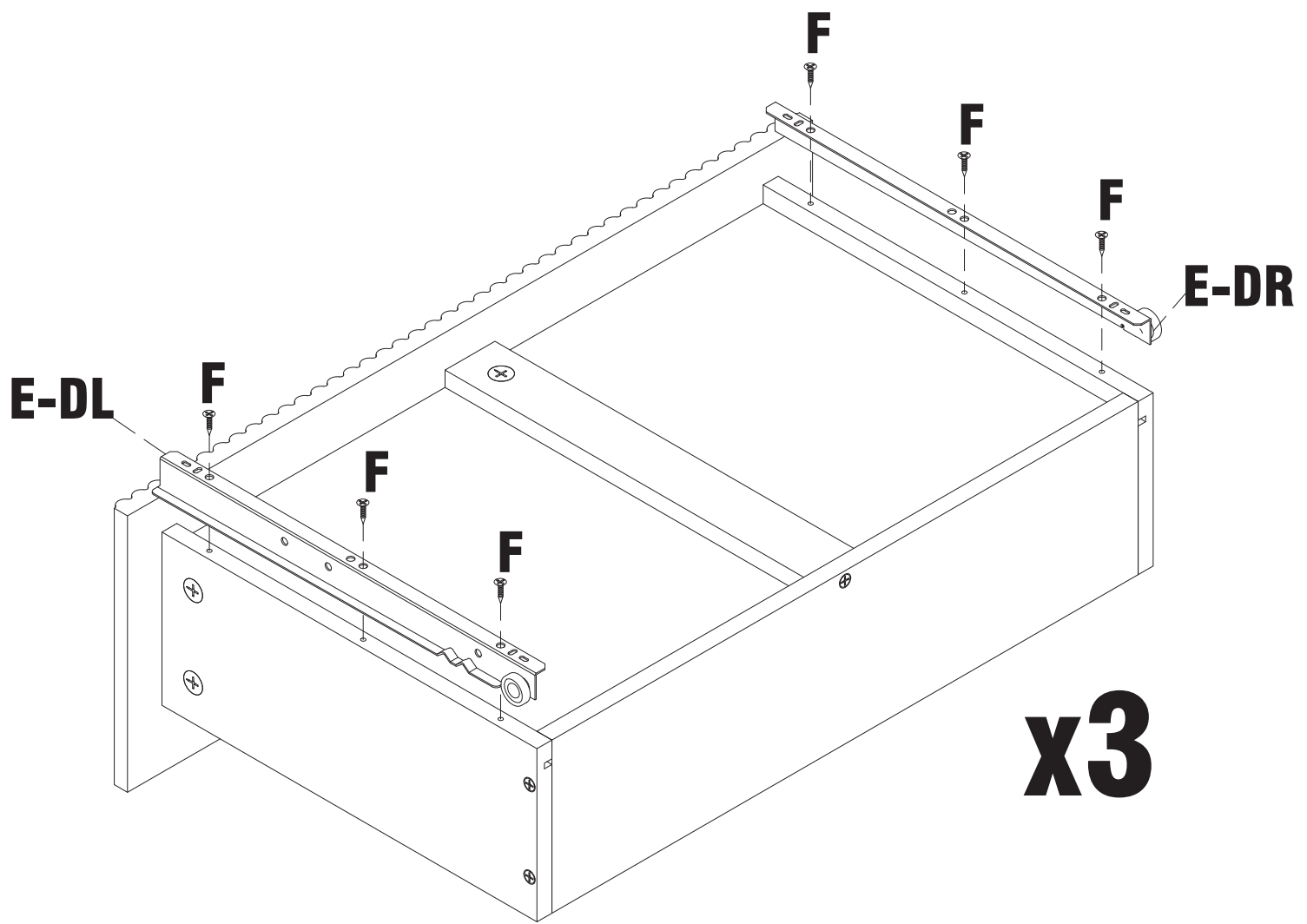
x3



STEP 13



x3



STEP 14

