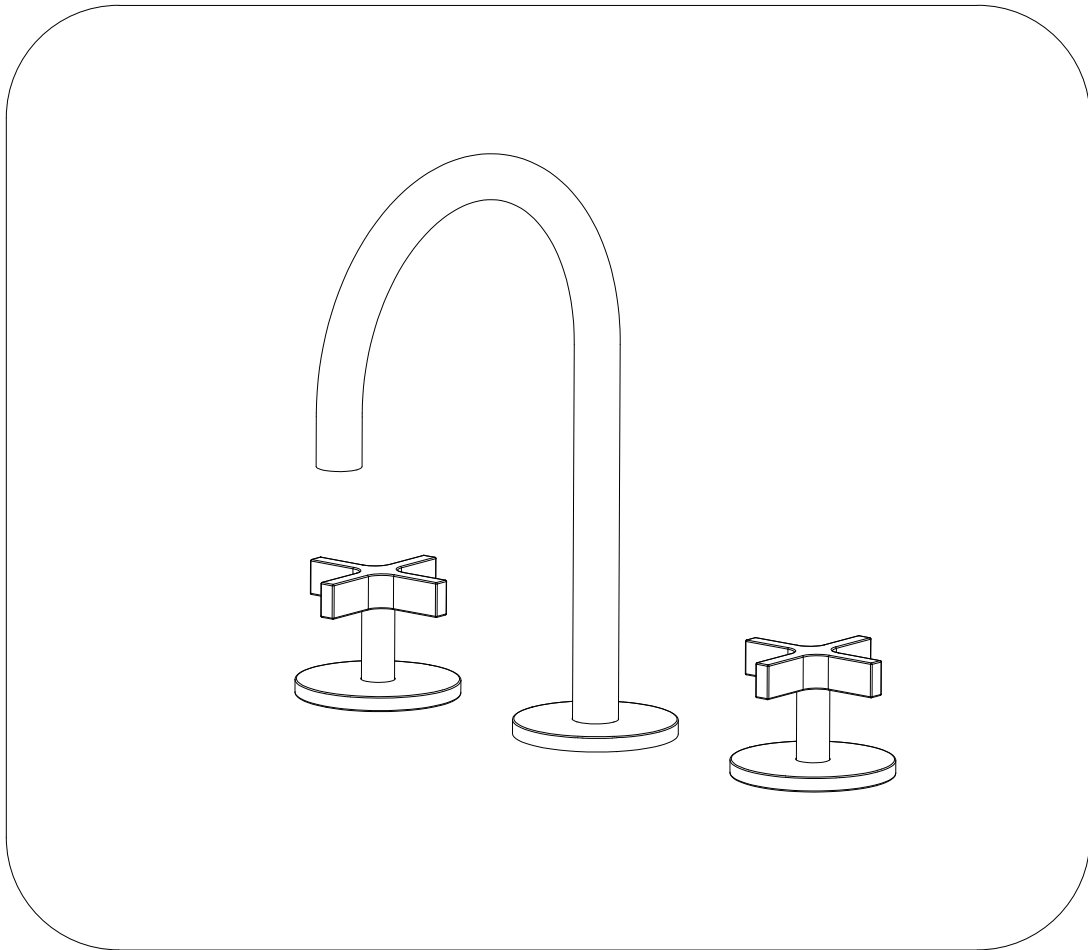


indare

110101

Bathroom Faucet Installation Manual



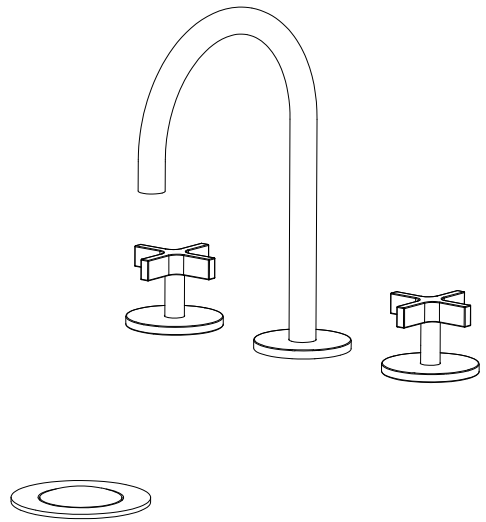
Contents

Caution-----	1
Valve & Handle Installation-----	2
Pop-up Installation-----	3
Pop-up Cleaning-----	3
Testing-----	4
How to Remove the Valve Core-----	4
Component Description-----	5
Cleaning and Care-----	5
Maintenance-----	5

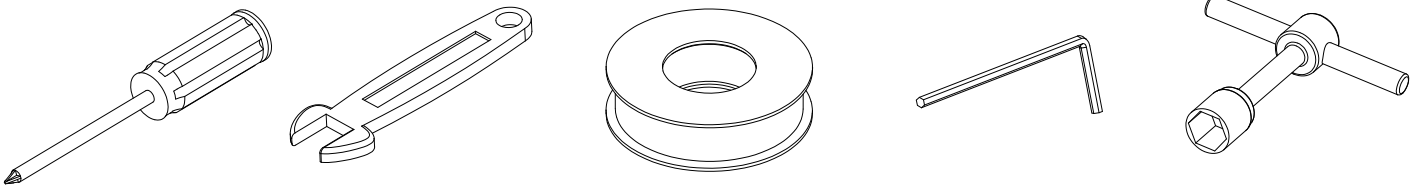
TWO HANDLE BATHROOM SINK FAUCETS

Caution

Failure to read these instructions prior to installation may result in personal injury or property damage. Manufacturer assumes no responsibility for product failure due to improper installation.

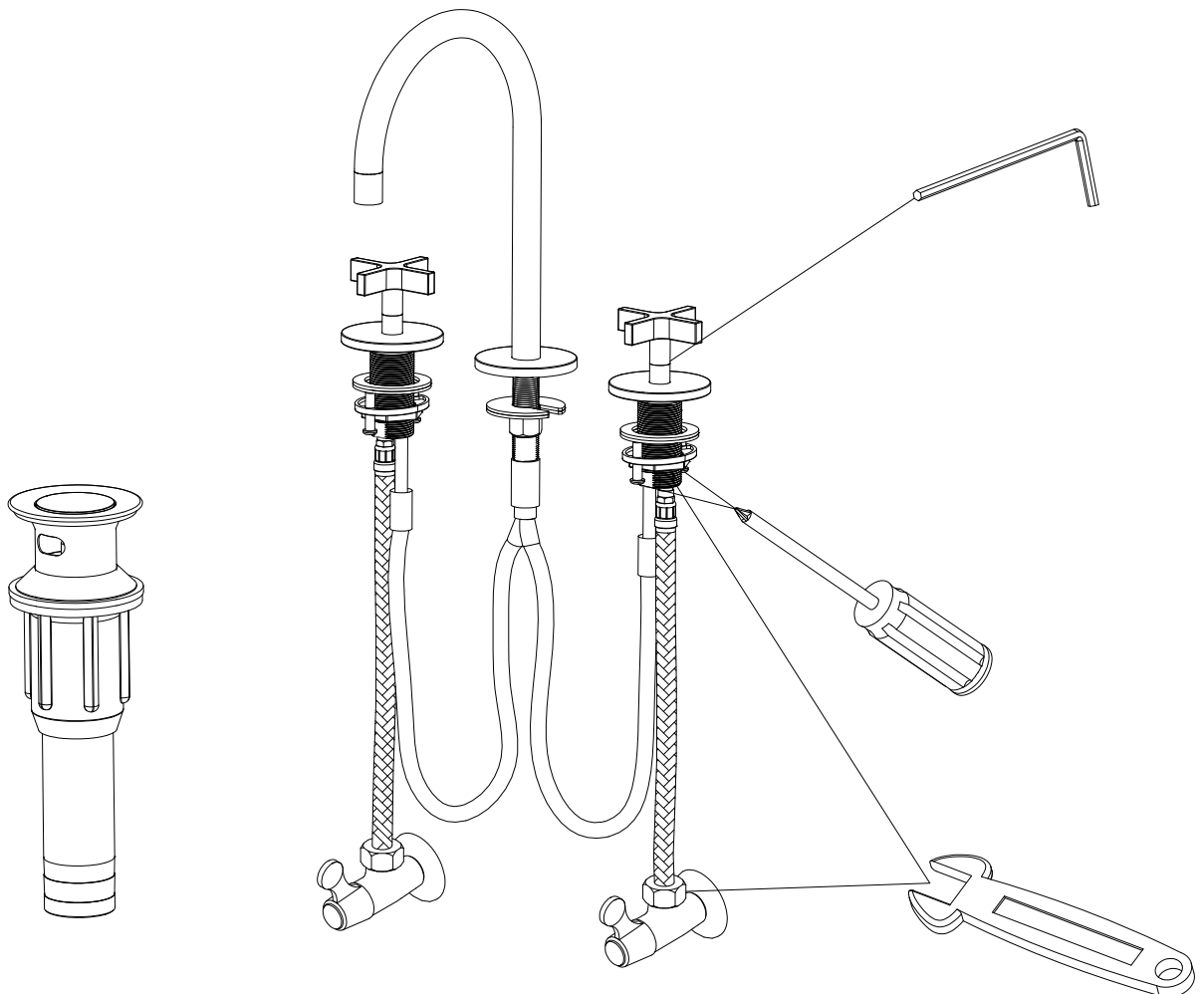


You may need

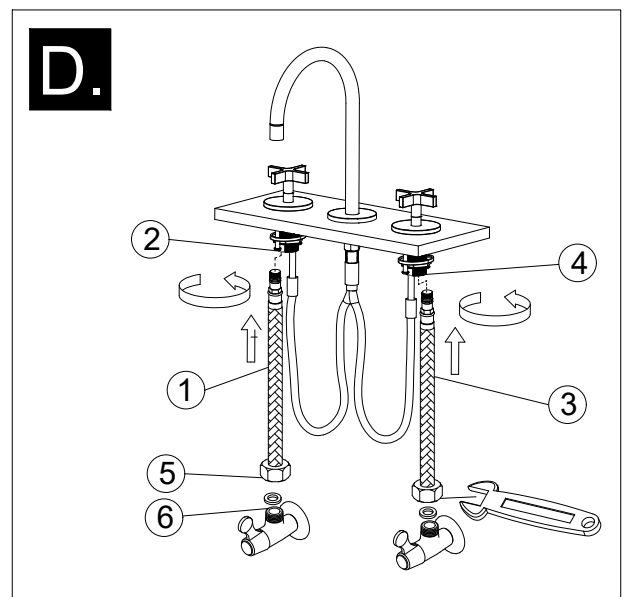
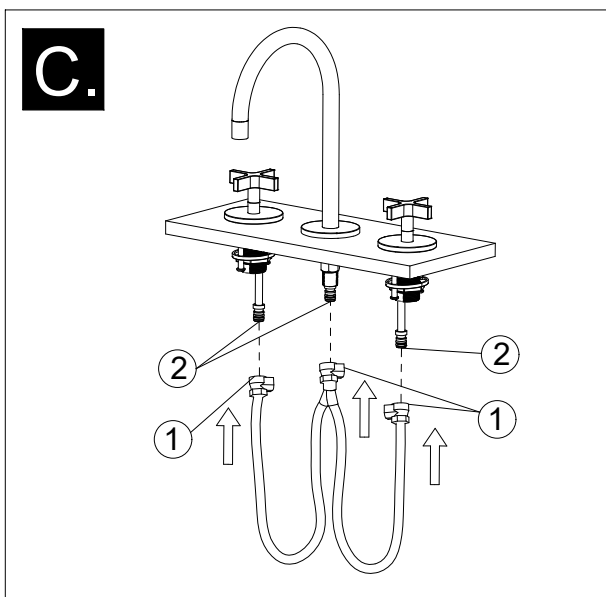
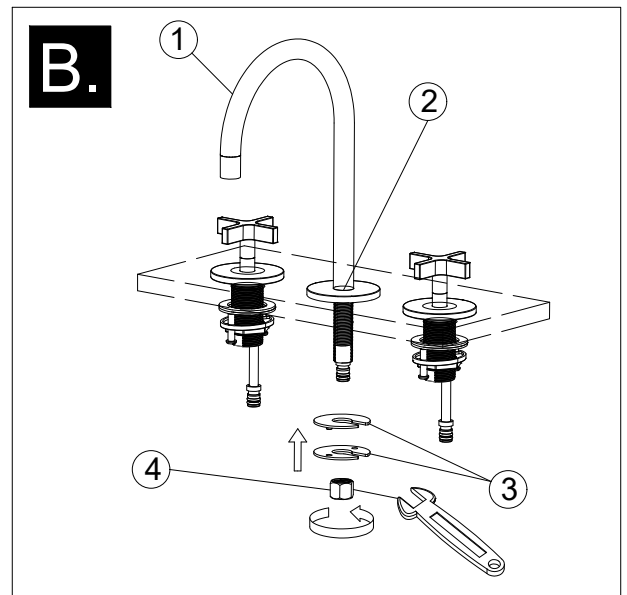
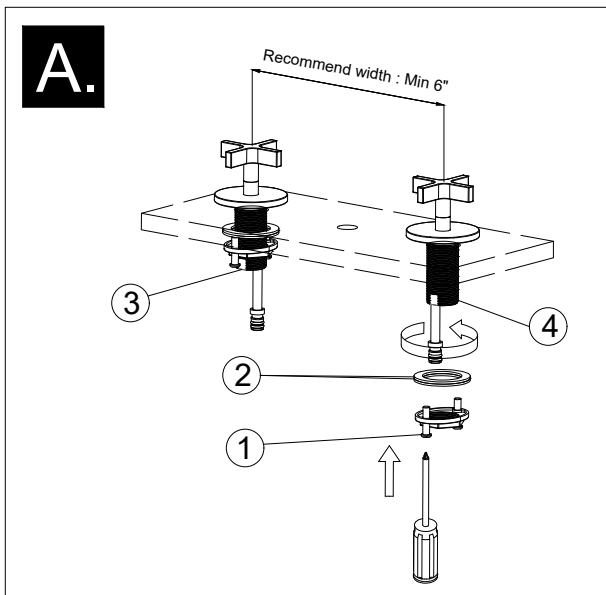


For easy installation of your Indare faucet you will need:

- .To READ ALL the instructions completely before beginning.
- .To READ ALL warnings, care, and maintenance information.
- .To purchase the correct water supply hook-up

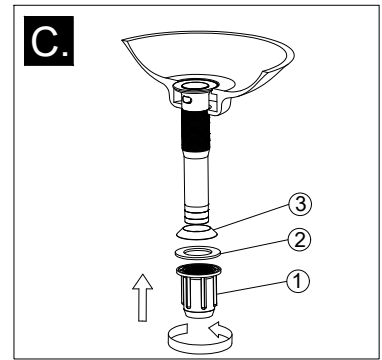
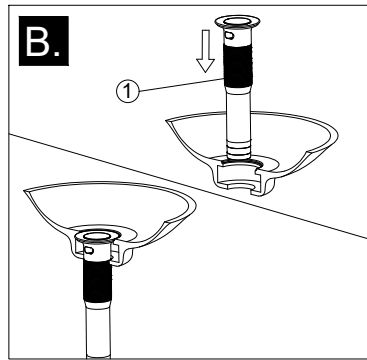
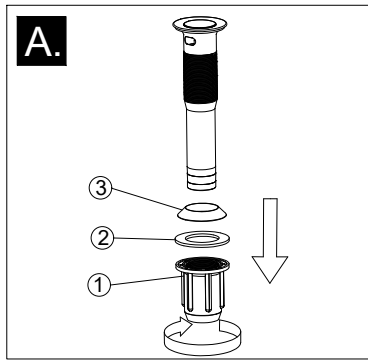


1



- A.** Shut off water supplies. Remove old faucet. Remove set screw(1)and gaskets(2)on the hot(3)and cold(4)end valves. Place spout through mounting hole in sink. Reinstall and tighten screw and gaskets on the hot and cold end valves. Tighten the screws at both ends upward. Note that the installation distance between the hot and cold valve bodies is at least 6 inches.
- B.** Align the outlet water body(1)with the mounting hole in the middle of the panel(2)and sink into it. Place the gasket(3)and nut(4)close to the outlet nozzle screw and tighten the nut.
- C.** Connect three joints(1)of the quick connect tube to faucet(2)in turn, and push up until they are fastened. Pull down moderately to ensure each connection has been made.
- D.** Place hot water inlet tube (red)(1) into left valve body(2), and put cold water inlet tube (blue)(3) into right valve body(4). Fix screw(5) on the other end of hot and cold water inlet tube to the angle valve(6), but do not over-tighten. Note: please distinguish between cold and hot directions.

2



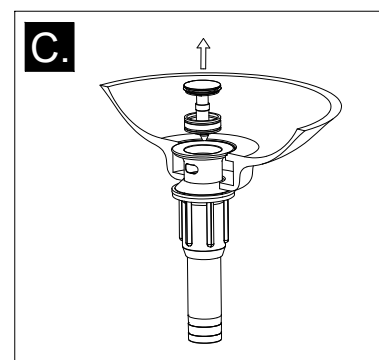
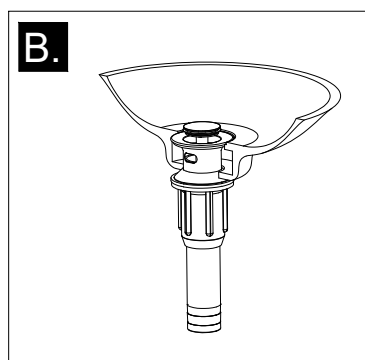
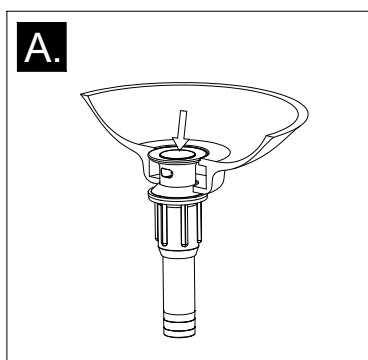
Pop-Up Installation:

A. Remove screw(1) and push the washers(2) and gaskets(3).

B. Insert valve(1) into the drain hole in sink.

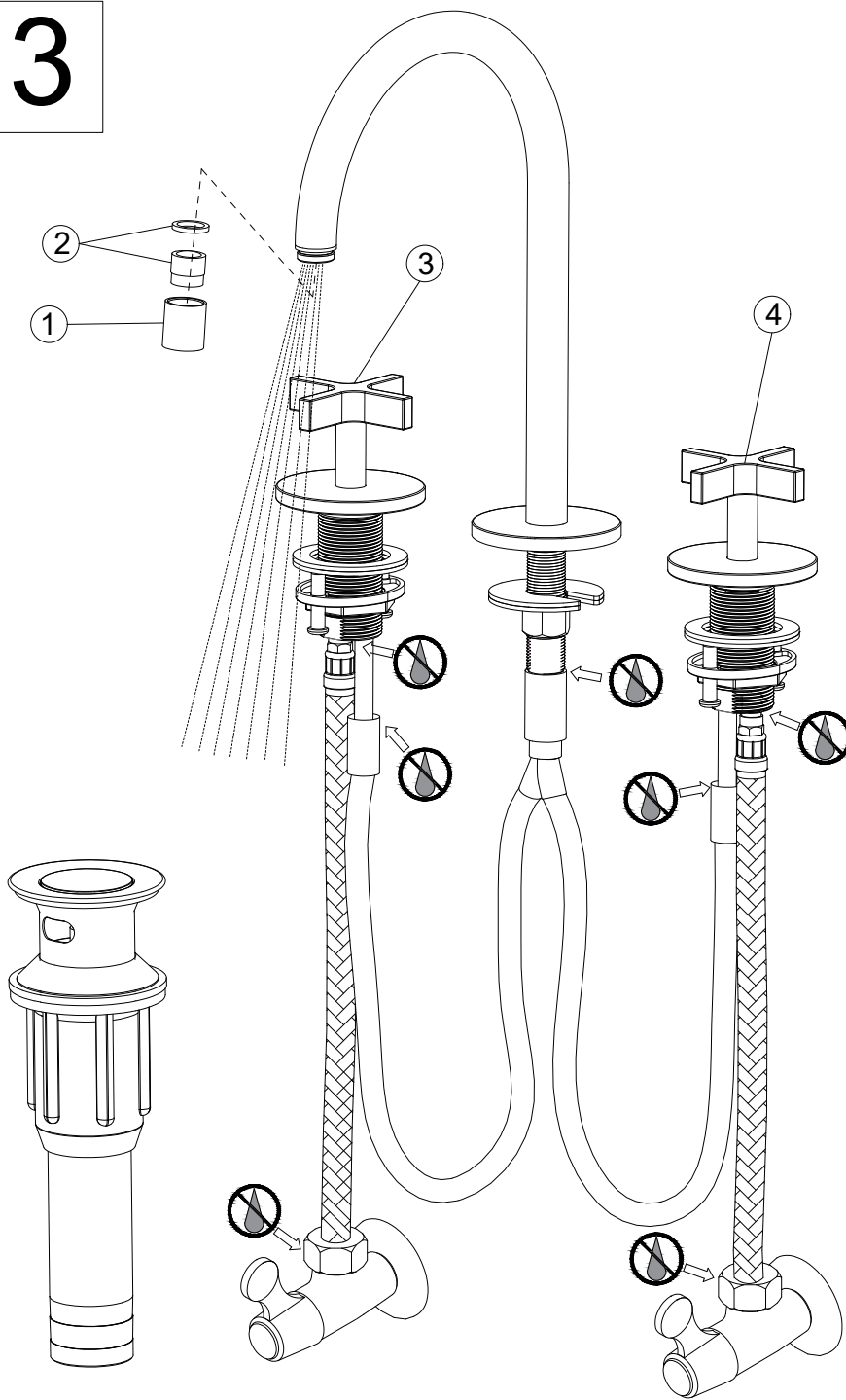
C. Tighten screws(1), washers(2) and gaskets(3).

Pop-Up Cleaning:

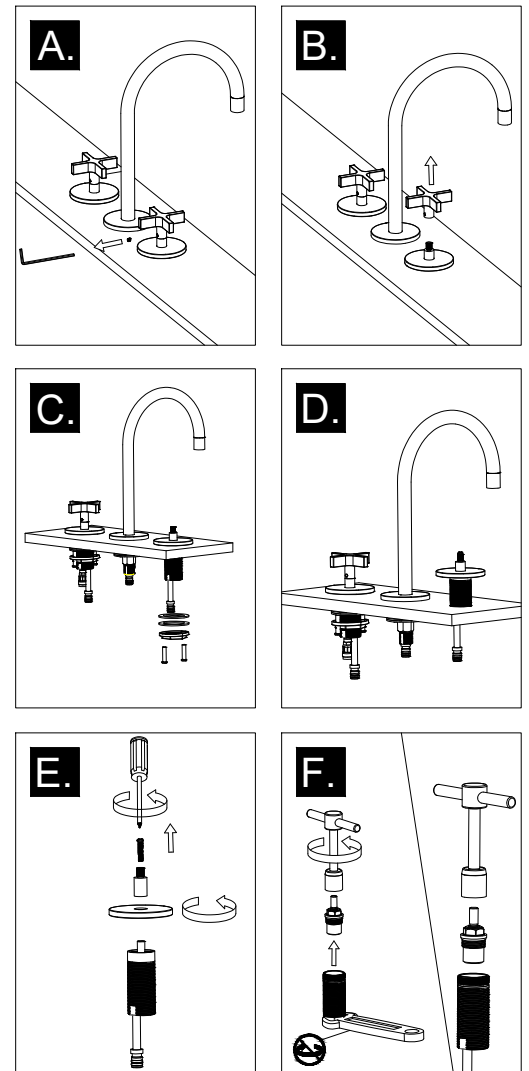


Press down on the core of the drain, pull the core out firmly, clean the core and press it back into the drain.

3



After the installation is complete, Remove the bubbler shell (1) of the water nozzle and take out the bubbler (2). Turn on hot (3) and cold (4) water supplies and flush water lines into a container for one minute. Important: This flushes away any debris that could cause damage to internal parts. If there is any water leakage, please re-tighten it, but do not over-tighten.



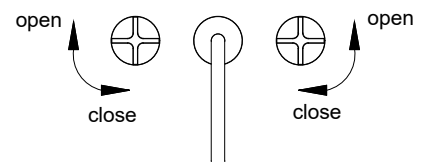
If you need to remove the valve core, please follow the steps below:

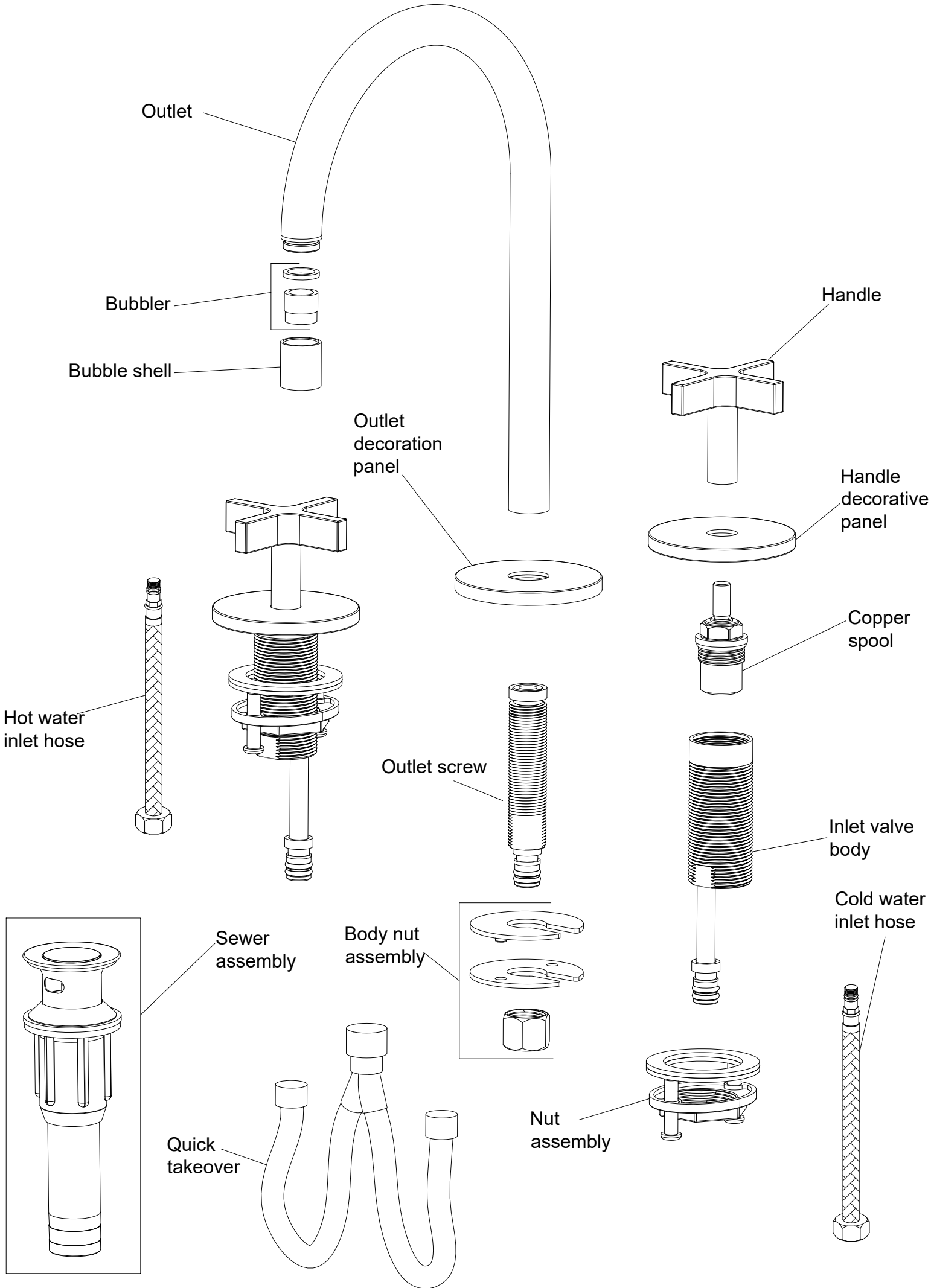
- A.** Remove screws from the handle of the faucet.
- B.** Remove the handle.
- C.** Remove screws, nuts and washers downward.
- D.** Remove the valve body upward.
- E.** Remove other parts from the valve body.
- F.** Remove internal valve by turning counterclockwise.

TIPS: Reinstall valve and handle in reverse steps.

Note: The hot water handle is turned off at 9 o'clock and open at 6 o'clock.

The cold water handle is turned off at 3 o'clock and open at 6 o'clock.





Cleaning And Care

Care should be given to the cleaning of this product. Although its finish is extremely durable, it can be damaged by harsh abrasives or polish. To clean, simply wipe gently with a damp cloth and blot dry with a soft towel.

Maintenance

If the faucet flow is low under normal water pressure, you can:

1. Use the included bubbler key to remove the bubbler and clean the bubbler.
2. Disassemble the inlet pipes and clean the pipes.

Manufacturer ' s Information [REDACTED]

indare

Origin : China

Email : indare_service@outlook.com



@Inadre