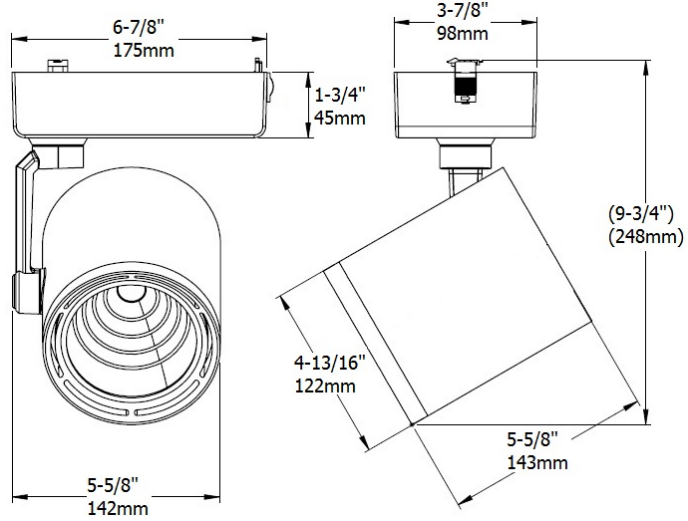
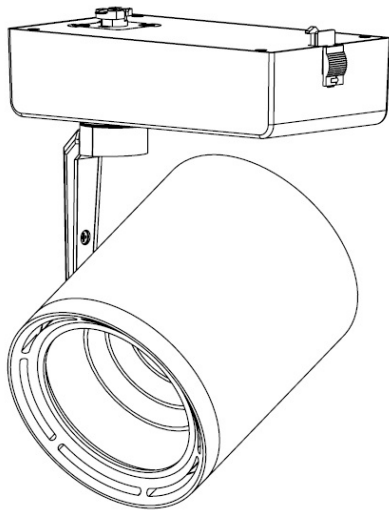




L516L

120V LED TRACK LUMINAIRE

| | |
|-------------|--|
| Type | |
| Project | |
| Catalog No. | |



DESCRIPTION

Line voltage LED track fixture suitable for retail, commercial and hospitality general lighting, accent and display applications.

CONSTRUCTION

Complete die-cast construction.
No exposed wiring.
Powder coat paint.
330° horizontal, 90° vertical aim adjustment.

MOUNTING

Provides electrical and mechanical connection to track.

ELECTRICAL

Input 120VAC 50/60Hz
Input Power 49W
Efficacy 77 lm/W
Power Factor >0.9
Dimming 5%, refer to recommended dimmers list
TRIAC (forward-phase or leading edge)
ELV (reverse-phase or trailing-edge)

LED

CCT 2700K, 3000K, 3500K, 4000K
CRI 80 (2700K, 3000K, 3500K, 4000K)
90 (2700K, 3000K, 4000K)
97 (2700K, 3000K)

Color Control 3-step MacAdam ellipse
Refer to *Color Code Selection Guide* for available selections.
Luminous Flux 3773 lm @ 3000K, 80CRI

Optics

Ordered Separately. Field Changeable.
RFL516L-SP Narrow (18°)
RFL516L-FL Medium (42°)
RFL516L-WF Wide (60°)
L516LSNT Snoot
BD125 Barn Door

Passive thermal management provides silent operation to yield over 70% lumen maintenance for a minimum of 50,000 operation hours in 25°C (77°F) ambient.

LABELS

cETLus Listed

WARRANTY

5 Years

ORDERING INFORMATION

| SYSTEM | SERIES | Color Code | | FINISH |
|---------------------|--------|------------|---------|------------------------|
| | | CCT | CRI | |
| H2 = H1 or H2 Track | L516L | 27 – 2700K | 80 – 80 | B – Black W – White |
| L2 = L1 or L2 Track | | 30 – 3000K | 90 – 90 | |
| J2 = J1 or J2 Track | | 35 – 3500K | 97 – 97 | |
| | | 40 – 4000K | | |
| | L516L | | | |



www.jescolighting.com
support@jescolighting.com
Tech Support: 855.592.0029

15 Harbor Park Drive
Port Washington, NY 11050
Main Line: 800.527.7796
Fax Line: 855.265.5768

219 South 6th Ave
City of Industry, CA 91746
Main Line: 855.654.0110
Fax Line: 626.333.2955

Specifications subject to change without notice.

8/10/2017

Page 1



L516L

120V LED TRACK LUMINAIRE

| | |
|-------------|--|
| Type | |
| Project | |
| Catalog No. | |

COLOR CODE SELECTION GUIDE

| CCT | CRI | Color Code |
|-------|-----|------------|
| 2700K | 80 | 2780 |
| | 90 | 2790 |
| | 97 | 2797 |

| CCT | CRI | Color Code |
|-------|-----|-------------------|
| 3000K | 80 | 3080 [§] |
| | 90 | 3090 |
| | 97 | 3097 |

| CCT | CRI | Color Code |
|-------|-----|------------|
| 3500K | 80 | 3580 |

| CCT | CRI | Color Code |
|-------|-----|-------------------|
| 4000K | 80 | 4080 [§] |
| | 90 | 4090 |

§QuickShip

RECOMMENDED DIMMERS

| Manufacturer | Model | Manufacturer | Model | Manufacturer | Model |
|---------------------|-----------|--------------|-------------------------|----------------------|-----------|
| Cooper ¹ | DLC03P | Lutron | SELV-300P | Leviton ³ | IPI06-1LZ |
| | DAL06P | | TG-600P | | IPE04 |
| | SLC03P | | LG-600P | | VPE06 |
| Lutron ² | S-603PG | | S-600P | | 6683-IW |
| | DVCL-153P | | MAELV-600 | | 6161 |
| | DV-600P | | FAELV-500 | | 6633-P |
| | TGCL-153P | DVELV-303P | Lightolier ⁴ | ZPE260QEW | |

JESCO recommends testing your unique dimming configuration as the exact application may affect dimming performance.

APPLICATION DATA

CCT Correction Factor

| CCT | CRI | Factor |
|-------|-----|--------|
| 2700K | 80 | 0.95 |
| | 90 | 0.74 |
| | 97 | 0.52 |

| CCT | CRI | Factor |
|-------|-----|--------|
| 3000K | 80 | 1.00 |
| | 90 | 0.78 |
| | 97 | 0.58 |

| CCT | CRI | Factor |
|-------|-----|--------|
| 3500K | 80 | 1.03 |

| CCT | CRI | Factor |
|-------|-----|--------|
| 4000K | 80 | 1.04 |
| | 90 | 0.88 |

Notes and Definitions:

Beam spread is to 50% center beam candlepower (CBCP).

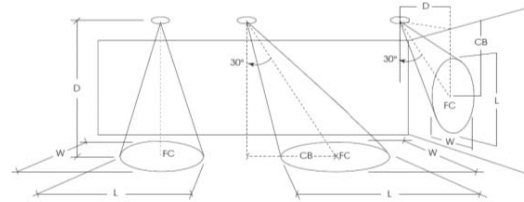
D = Distance to floor or wall.

FC = Footcandles on floor or wall at center beam aiming location.

L = Effective Visual Beam length in feet (50% of maximum footcandle level).

W = Effective Visual Beam width in feet (50% of maximum footcandle level).

CB = Distance across or down to center beam location.



| | 0° Aiming Angle Horizontal Footcandles | | | | 30° Aiming Angle Horizontal Footcandles | | | | | 30° Aiming Angle Vertical Footcandles | | | | | 60° Aiming Angle Vertical Footcandles | | | | |
|-----------------------------|--|-----|------|------|---|-----|------|------|-----|---------------------------------------|-----|------|------|------|---------------------------------------|------|------|-----|-----|
| | D | FC | L | W | D | FC | L | W | CB | D | FC | L | W | CB | D | FC | L | W | CB |
| NARROW 18° CBCP = 18,888 | 5.0' | 752 | 1.6 | 1.6 | 5.0' | 491 | 2.1 | 1.8 | 2.9 | 3.0' | 262 | 4.1 | 1.9 | 5.2 | 3.0' | 1363 | 1.3 | 1.1 | 1.7 |
| | 7.5' | 334 | 2.3 | 2.3 | 7.5' | 218 | 3.2 | 2.7 | 4.3 | 4.0' | 148 | 5.5 | 2.5 | 6.9 | 4.0' | 767 | 1.7 | 1.5 | 2.3 |
| | 10.0' | 188 | 3.1 | 3.1 | 10.0' | 123 | 4.3 | 3.7 | 5.8 | 5.0' | 94 | 6.9 | 3.2 | 8.7 | 5.0' | 491 | 2.1 | 1.8 | 2.9 |
| | 12.5' | 120 | 3.9 | 3.9 | 12.5' | 79 | 5.3 | 4.6 | 7.2 | 6.0' | 66 | 8.2 | 3.8 | 10.4 | 6.0' | 341 | 2.6 | 2.2 | 3.5 |
| | | | | | | | | | | | | | | | | | | | |
| MEDIUM 42° CBCP = 6,754 | 5.0' | 270 | 3.8 | 3.8 | 5.0' | 175 | 5.4 | 4.4 | 2.9 | 3.0' | 94 | 16.5 | 4.6 | 5.2 | 3.0' | 487 | 3.2 | 2.7 | 1.7 |
| | 7.5' | 120 | 5.7 | 5.7 | 7.5' | 78 | 8.1 | 6.6 | 4.3 | 4.0' | 53 | 22.0 | 6.1 | 6.9 | 4.0' | 274 | 4.3 | 3.5 | 2.3 |
| | 10.0' | 68 | 7.6 | 7.6 | 10.0' | 44 | 10.8 | 8.9 | 5.8 | 5.0' | 34 | 27.5 | 7.7 | 8.7 | 5.0' | 175 | 5.4 | 4.4 | 2.9 |
| | 12.5' | 43 | 9.6 | 9.6 | 12.5' | 28 | 13.5 | 11.1 | 7.2 | 6.0' | 23 | 33.0 | 9.2 | 10.4 | 6.0' | 122 | 6.5 | 5.3 | 3.5 |
| | | | | | | | | | | | | | | | | | | | |
| WIDE 60° CBCP = 4,372 | 5.0' | 174 | 5.7 | 5.7 | 5.0' | 114 | 8.7 | 6.7 | 2.9 | 3.0' | 61 | n/a | 6.9 | 5.2 | 3.0' | 316 | 5.2 | 4.0 | 1.7 |
| | 7.5' | 77 | 8.6 | 8.6 | 7.5' | 50 | 13.0 | 10.0 | 4.3 | 4.0' | 34 | n/a | 9.2 | 6.9 | 4.0' | 177 | 6.9 | 5.3 | 2.3 |
| | 10.0' | 44 | 11.4 | 11.4 | 10.0' | 28 | 17.3 | 13.3 | 5.8 | 5.0' | 22 | n/a | 11.5 | 8.7 | 5.0' | 114 | 8.7 | 6.7 | 2.9 |
| | 12.5' | 28 | 14.3 | 14.3 | 12.5' | 18 | 21.7 | 16.7 | 7.2 | 6.0' | 15 | n/a | 13.9 | 10.4 | 6.0' | 79 | 10.4 | 8.0 | 3.5 |
| | | | | | | | | | | | | | | | | | | | |

Notes:

¹Cooper is a registered trademark of Eaton

²Lutron is a registered trademark of Lutron Electronics, Inc.

³Leviton is a registered trademark of Leviton Mfg. Co., Inc.

⁴Lightolier is a registered trademark of Philips Lighting.



www.jescolighting.com
support@jescolighting.com
Tech Support: 855.592.0029

15 Harbor Park Drive
Port Washington, NY 11050
Main Line: 800.527.7796
Fax Line: 855.265.5768

219 South 6th Ave
City of Industry, CA 91746
Main Line: 855.654.0110
Fax Line: 626.333.2955

Specifications subject to change without notice.

8/10/2017

Page 2



L516L

120V LED TRACK LUMINAIRE

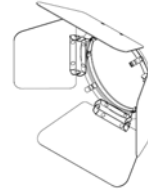
| | |
|-------------|--|
| Type | |
| Project | |
| Catalog No. | |

ACCESSORIES



L516LSNTB Black
L516LSNTW White

Snout provides a full cut-off, reducing glare while achieving a more directional source of light. 3-1/2"Ø x 2-1/2"H



BD125 Black

Barn door creates a theatrical look and control spill light. Fits 125mm max opening. Accepts 120mm filters and/or louver.