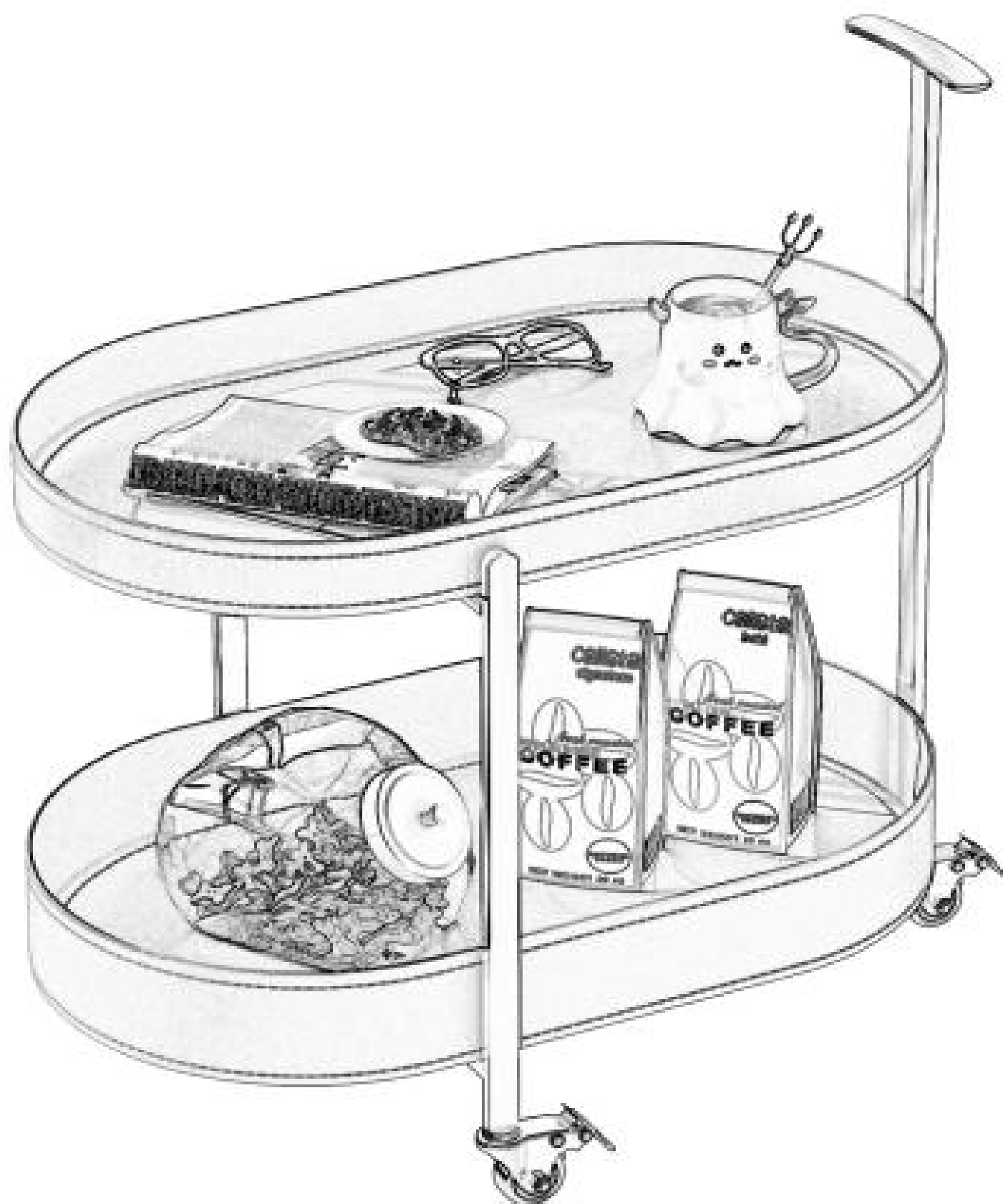


PRODUCT CARE HANDBOOK

a guide to protect your product



866-504-7728



support@guyii.com

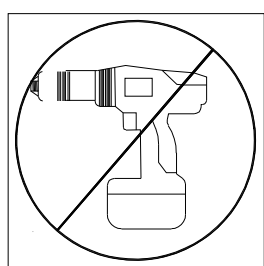
www.guyii.com

Thank you for purchasing this product. Please read these instructions fully before starting assembly, then follow the simple step by step guide.

TOP TIPS BEFORE YOU START!

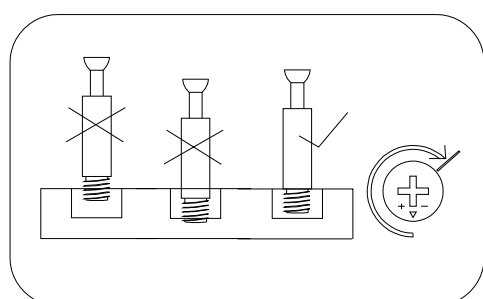
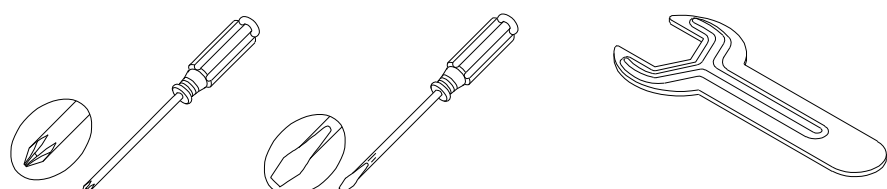
1. Please check that all parts & hardware are present before you start the assembly of your furniture. Do not destroy any of the packaging until you are certain that you have all the necessary parts for assembly.
2. To ensure a smooth installation, we recommend that before you commence each step of the assembly, please identify all the parts required for that step.
3. We recommend that where possible, all items are assembled near to the area in which they will be placed in use, to avoid moving the product unnecessarily once assembled.
4. For the protection of your furniture, particularly items of high gloss finish, we recommend that the product is placed on a protected surface during assembly to prevent any damage.
5. During assembly, please take care not to over-tighten any fittings, as this may damage the product.
6. Keep children and animals away from the work area. Small parts could cause choking if swallowed.

Tools Required For Assembly

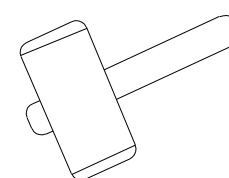


DO NOT USE POWER TOOLS TO ASSEMBLE THIS PRODUCT. USE OF POWER TOOLS WILL INVALIDATE ANY CLAIM AND MAY DAMAGE THIS PRODUCT .

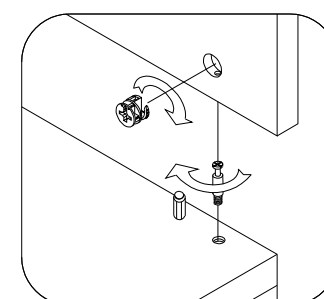
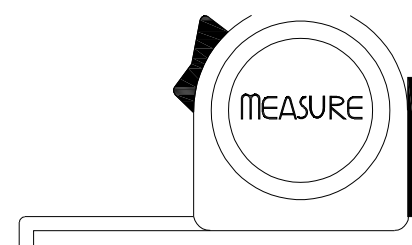
Self-provided universal tool diagram:

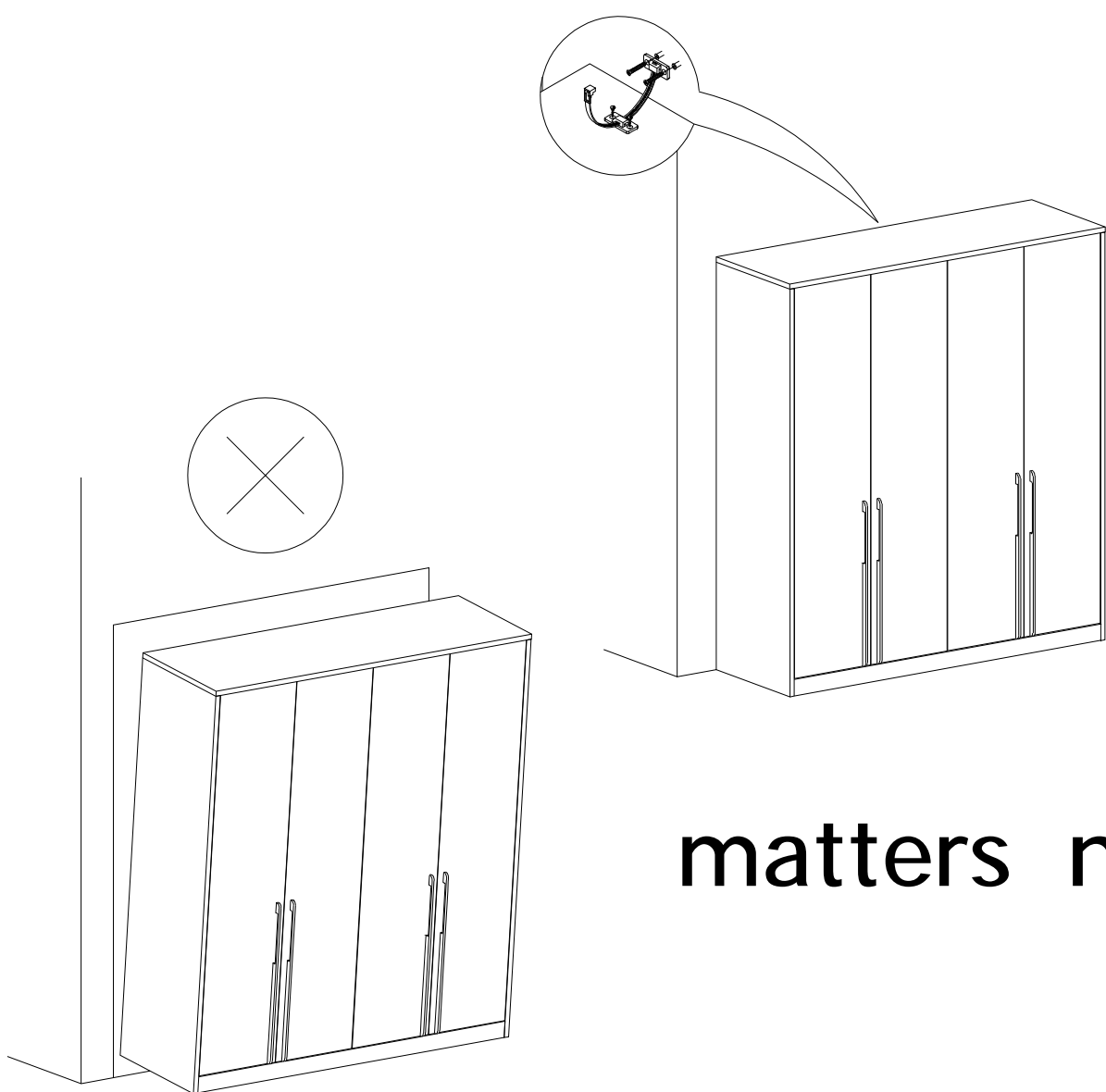


Rubber Hammer

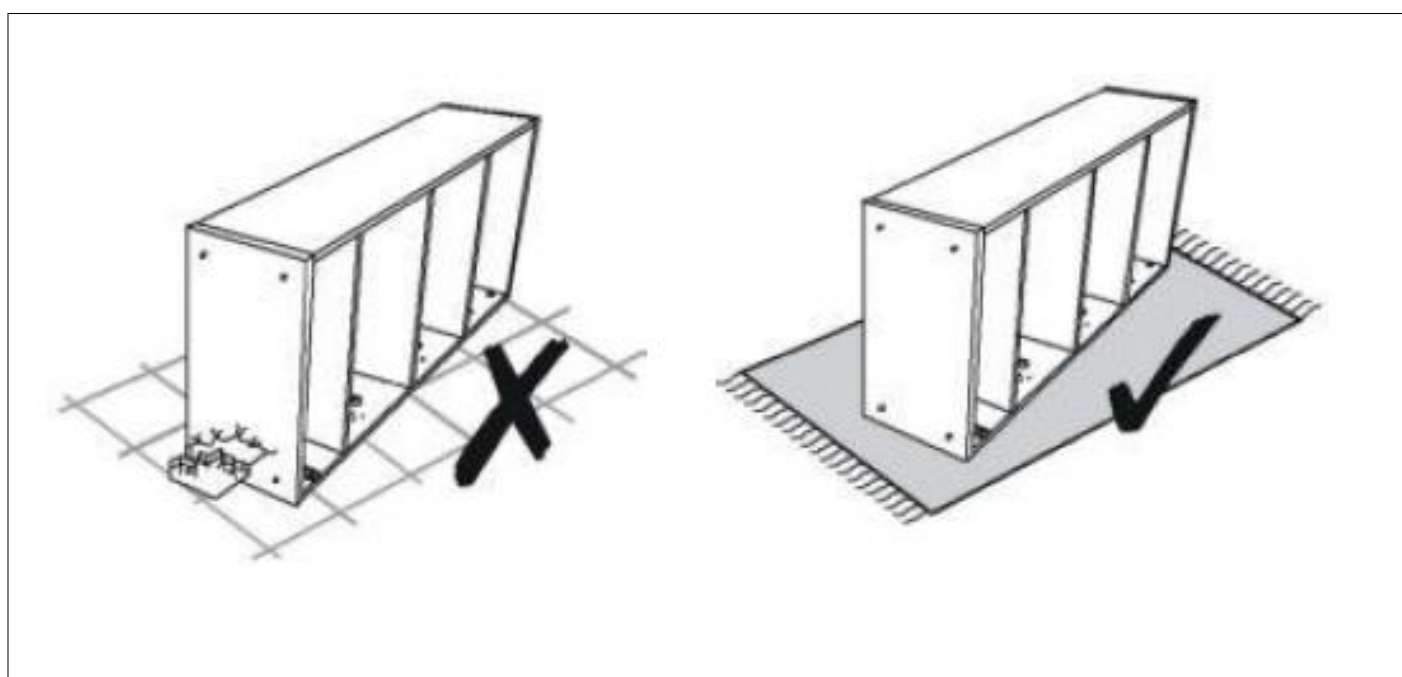
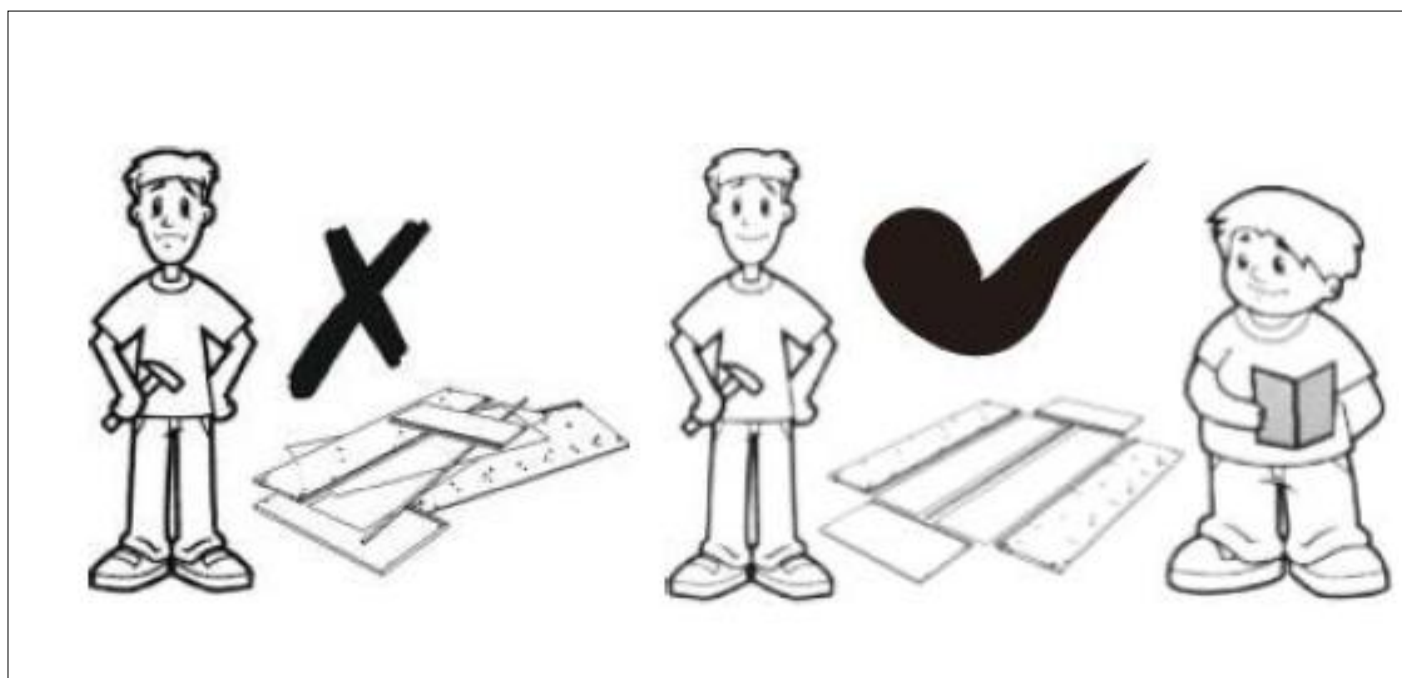


Tape Measure

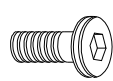
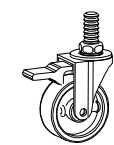

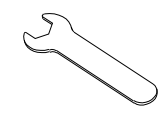




matters needing attention

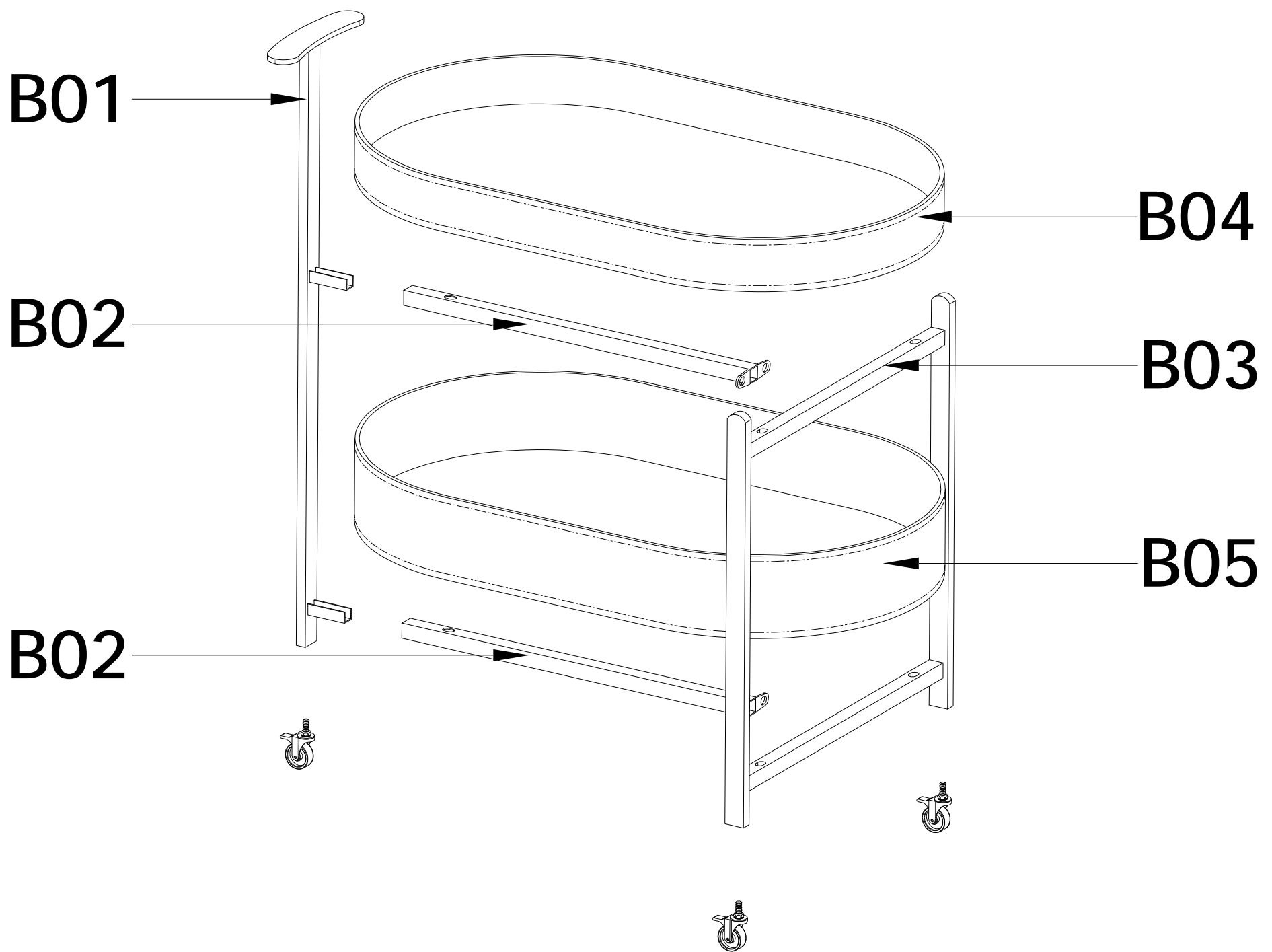


GY1963HW - Side Table Assembly Hardware

<p>H1216(A)</p>  <p>Flat Head Hex Screw M6*13</p> <p>14PCS</p>	<p>H2619(B)</p>  <p>Swivel Casters 1-inch</p> <p>3PCS</p>	<p>H5105(C)</p>  <p>L-shaped Hex Wrench 4#</p> <p>1PC</p>	<p>H5125(D)</p>  <p>Open-end Wrench</p> <p>1PC</p>	
---	--	---	---	--

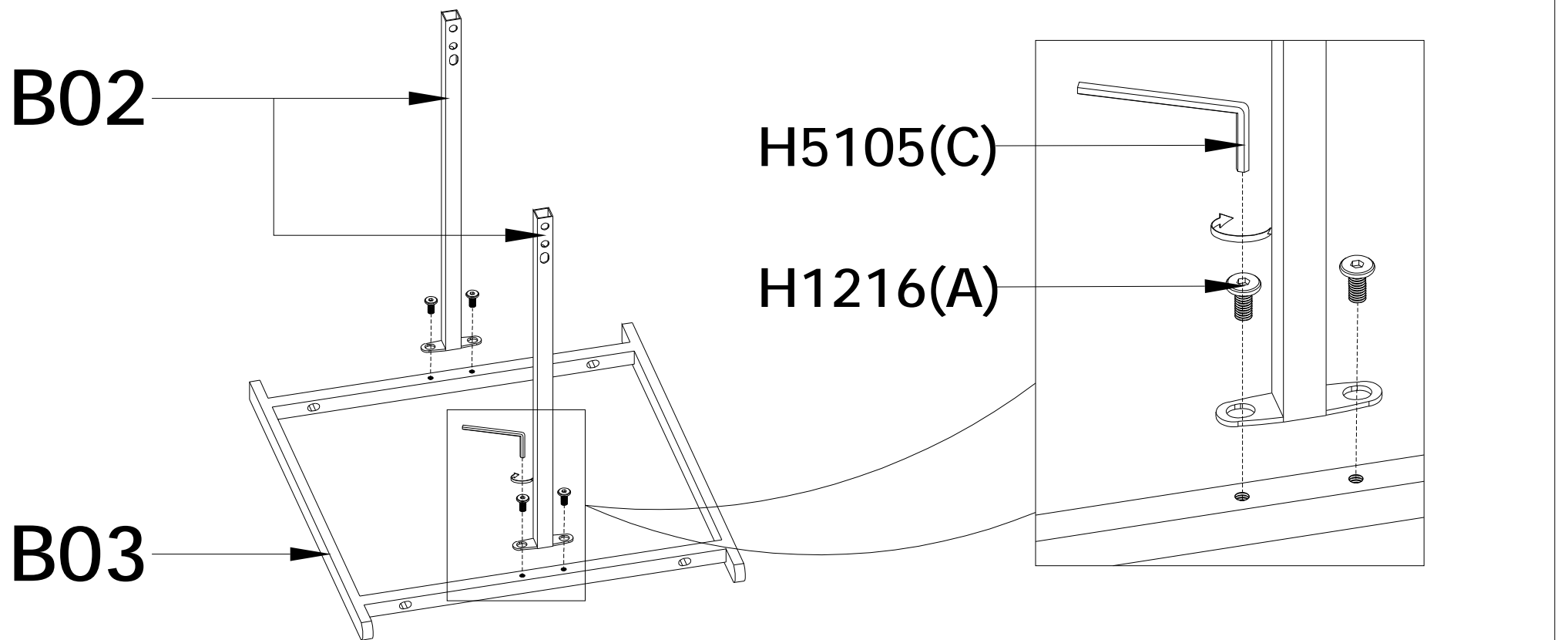
GY1963HW - Side Table Assembly Parts

B01*1 Handle	B03*1 Vertical Frame	B05*1 Lower Storage Box
B02*2 Horizontal Connector Rod	B04*1 Upper Storage Box	

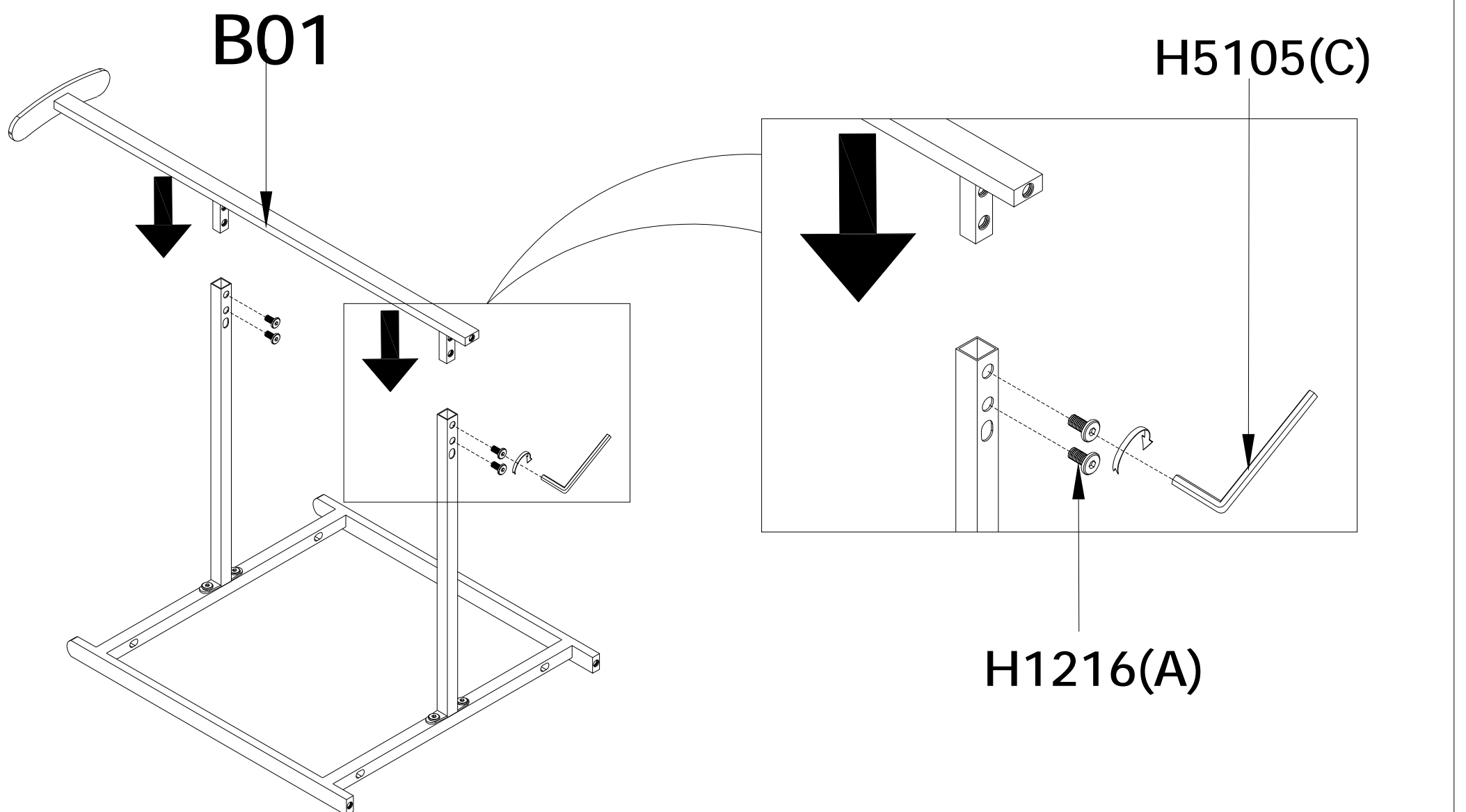


GY1963HW - Side Table Assembly Steps

Step 1

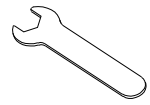


Step 2



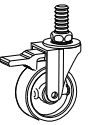
Step 3

H5125(D)

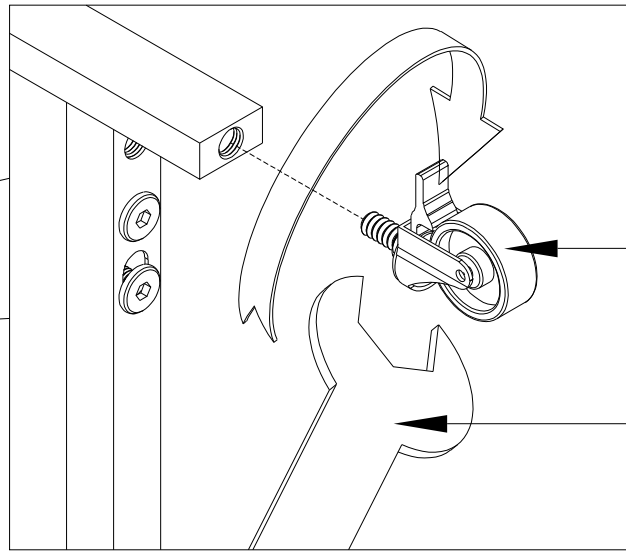
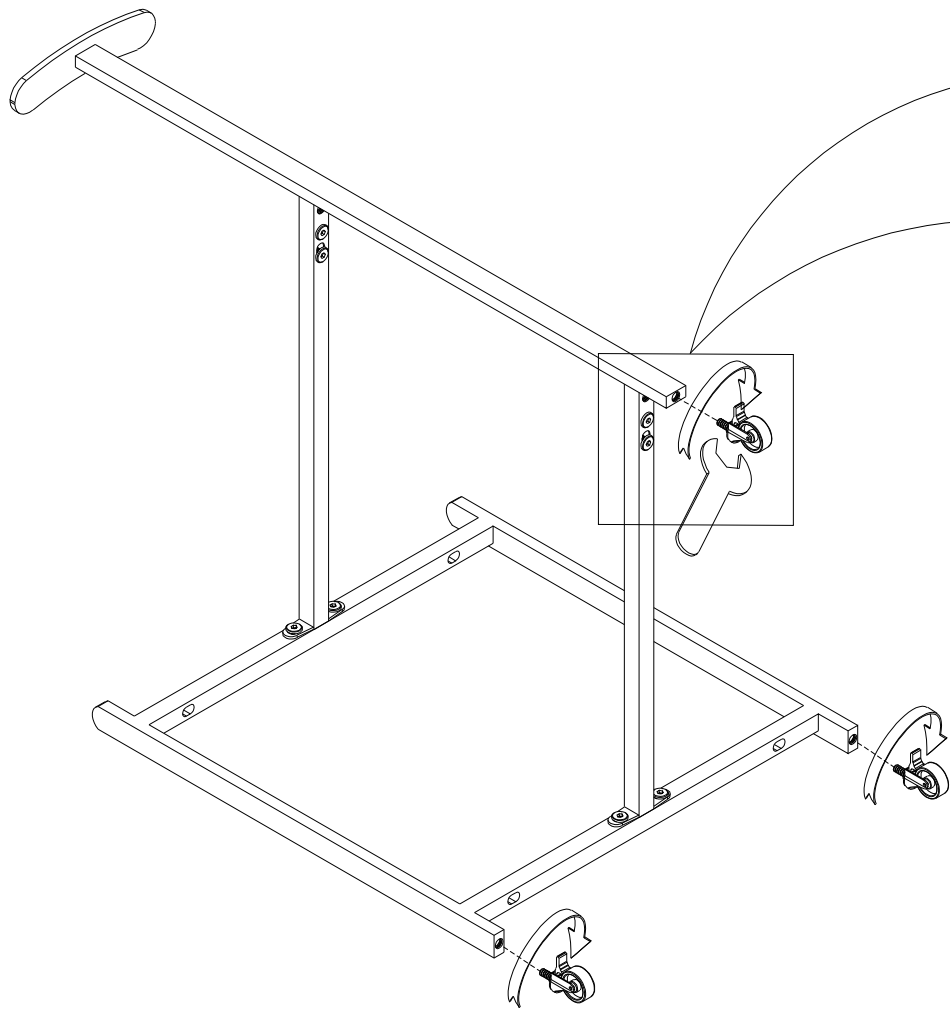


1PC

H2619(B)



3PCS

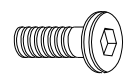


H2619(B)

H5125(D)

Step 4

H1216(A)

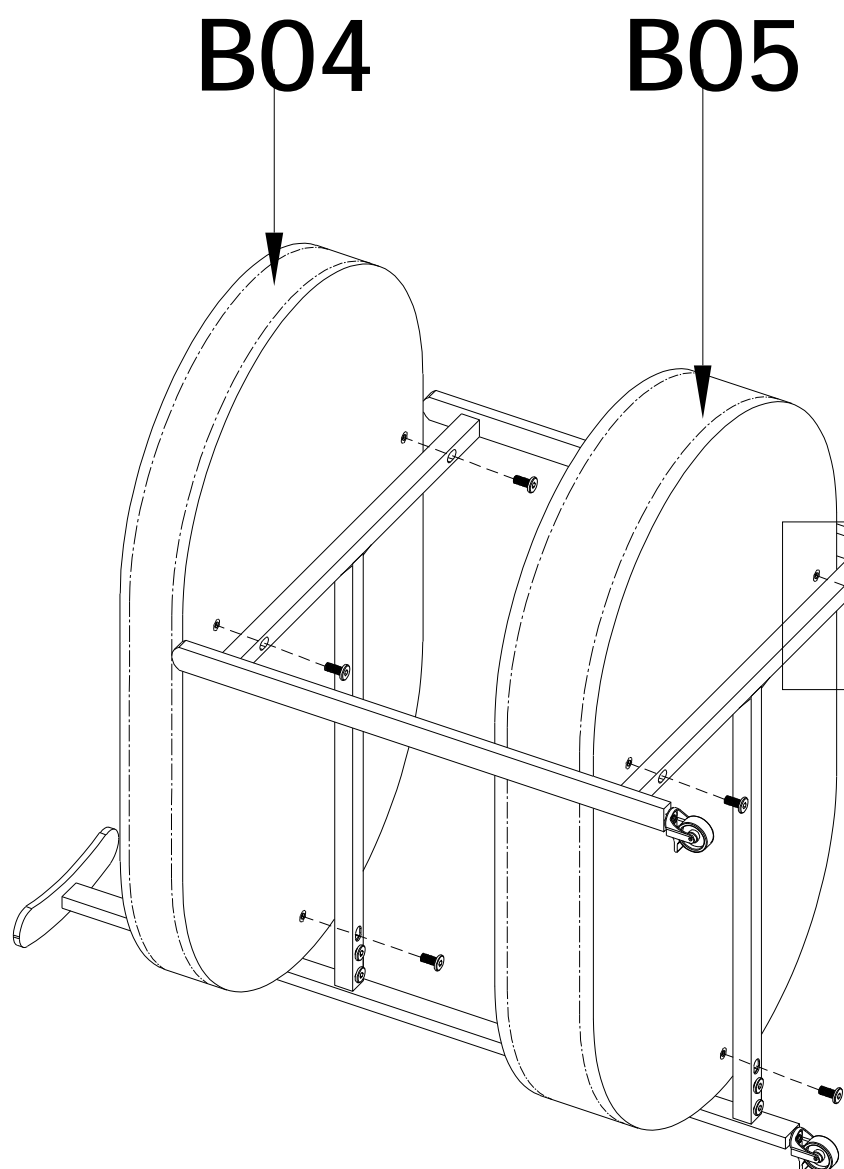


6PCS

H5105(C)

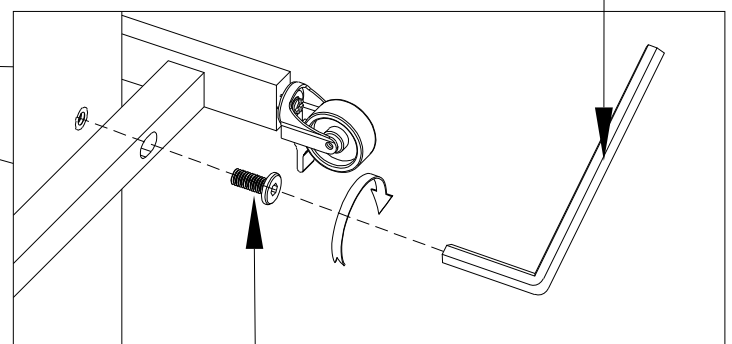


1PC



B04

B05



H1216(A)

H5105(C)

WE'RE HERE TO HELP

how to get in touch with us



866-504-7728



support@guyii.com