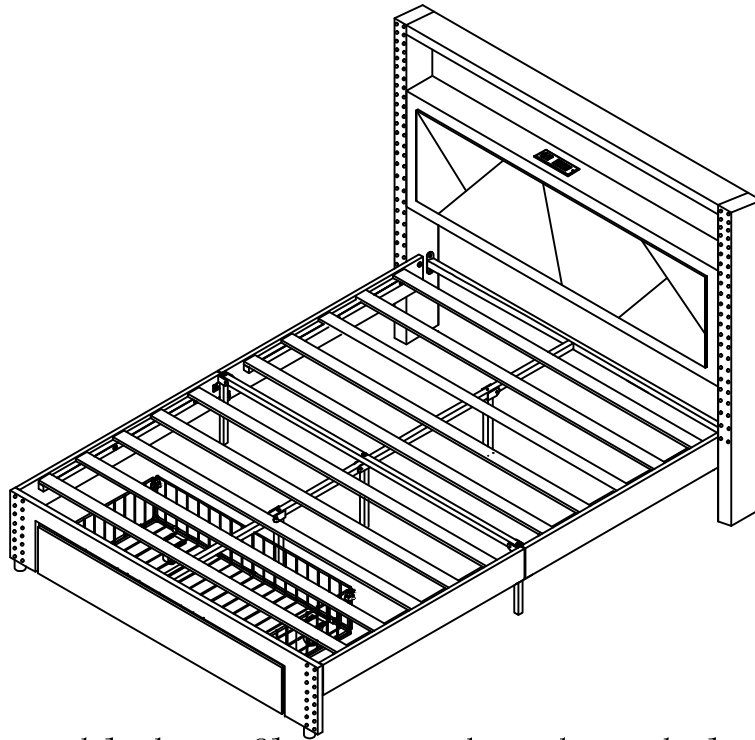
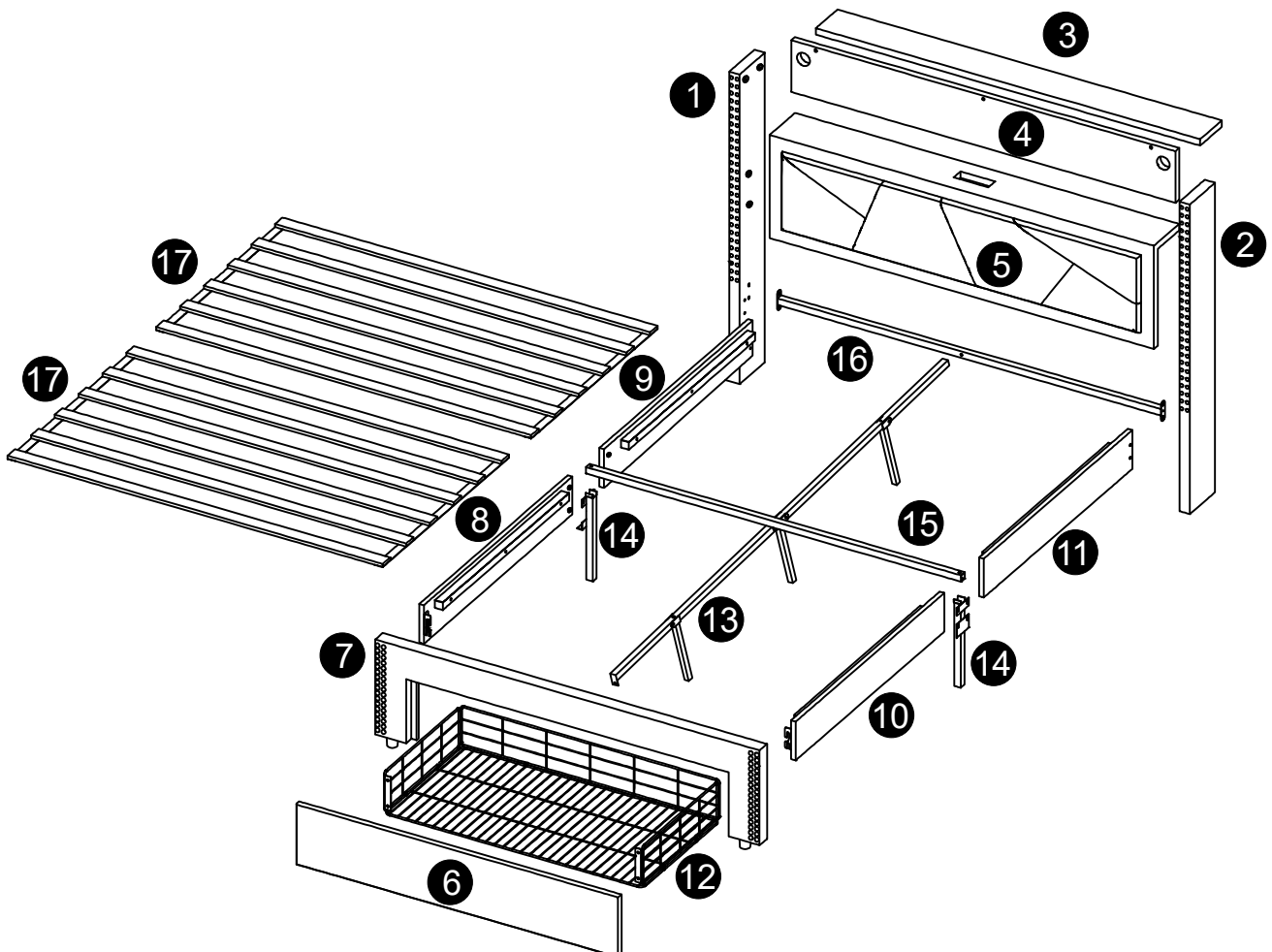


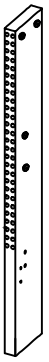
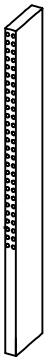
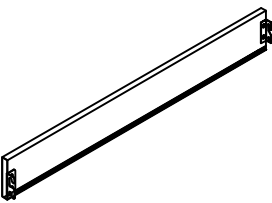
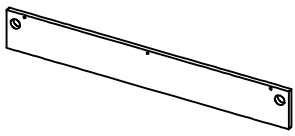
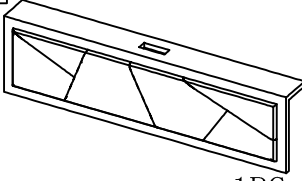
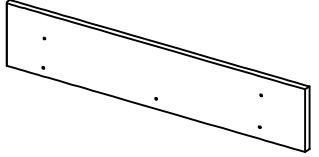
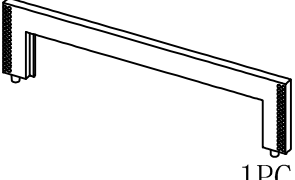
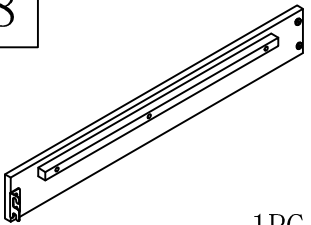
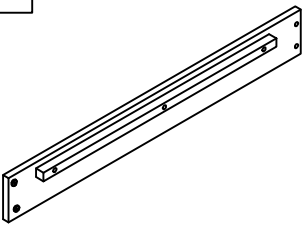
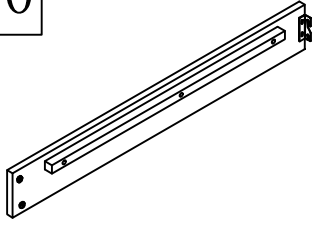
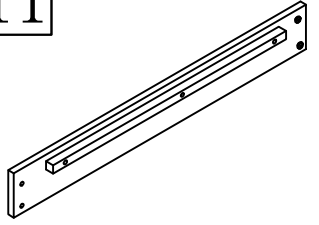
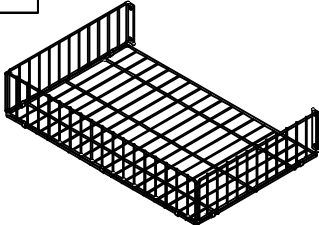
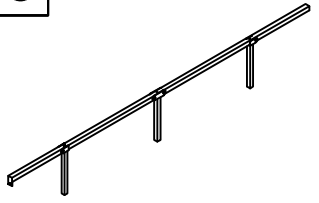

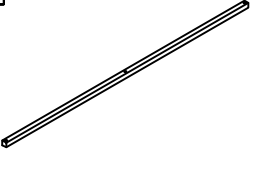
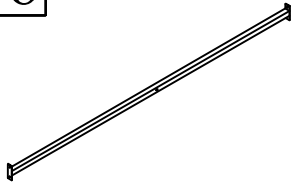
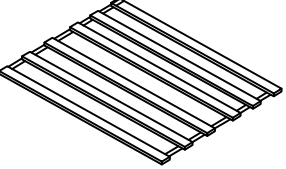
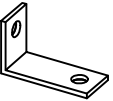

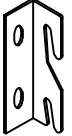
Version:1.0



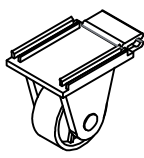
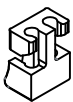
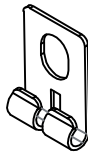
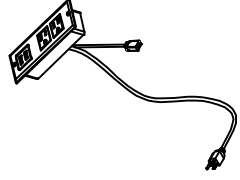


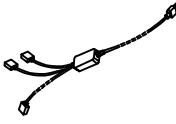

Note:
Should be assembled on flat ground to keep balance.
It needs at least two people to install.
Before starting the assembly, you must read the whole manual and follow the instructions.









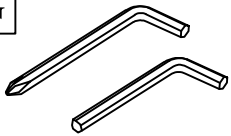
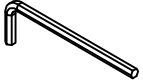
Part list

<p>1</p>  <p>1PC</p>	<p>2</p>  <p>1PC</p>	<p>3</p>  <p>1PC</p>	<p>4</p>  <p>1PC</p>
<p>5</p>  <p>1PC</p>	<p>6</p>  <p>1PC</p>	<p>7</p>  <p>1PC</p>	<p>8</p>  <p>1PC</p>
<p>9</p>  <p>1PC</p>	<p>10</p>  <p>1PC</p>	<p>11</p>  <p>1PC</p>	<p>12</p>  <p>1PC</p>
<p>13</p>  <p>1PC</p>	<p>14</p>  <p>2PCS</p>	<p>15</p>  <p>1PC</p>	<p>16</p>  <p>1PC</p>
<p>17</p>  <p>2PCS</p>	<p>18</p>  <p>3PCS</p>	<p>19</p>  <p>L 1PC</p>	<p>20</p>  <p>R 1PC</p>

Part list


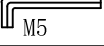
<p>21</p>  <p>4PCS</p>	<p>22</p>  <p>2PC</p>	<p>23</p>  <p>1PC</p>	<p>24</p>  <p>1PC</p>
<p>25</p>  <p>1PC</p>	<p>26</p>  <p>1PC</p>	<p>27</p>  <p>1PC</p>	<p>28</p>  <p>1PC</p>

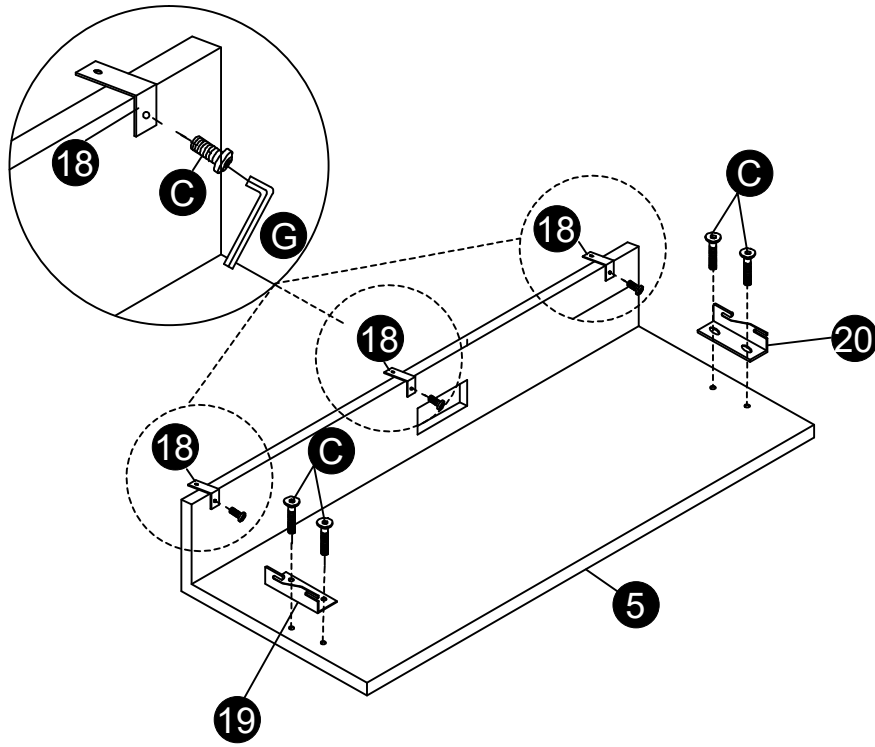
Hardware list

<p>A</p>  <p>M8*50mm</p> <p>2PCS</p>	<p>B</p>  <p>M8*35mm</p> <p>13PCS</p>	<p>C</p>  <p>M8*15mm</p> <p>12PCS</p>	<p>D</p>  <p>M8*10mm</p> <p>4PC</p>	<p>E</p>  <p>M6*12mm</p> <p>5PC</p>
<p>F</p>  <p>M4*12mm</p> <p>3PCS</p>	<p>G</p>  <p>M5*65MM</p> <p>2PCS</p>	<p>H</p>  <p>M4*65MM</p> <p>1PC</p>		



step 1

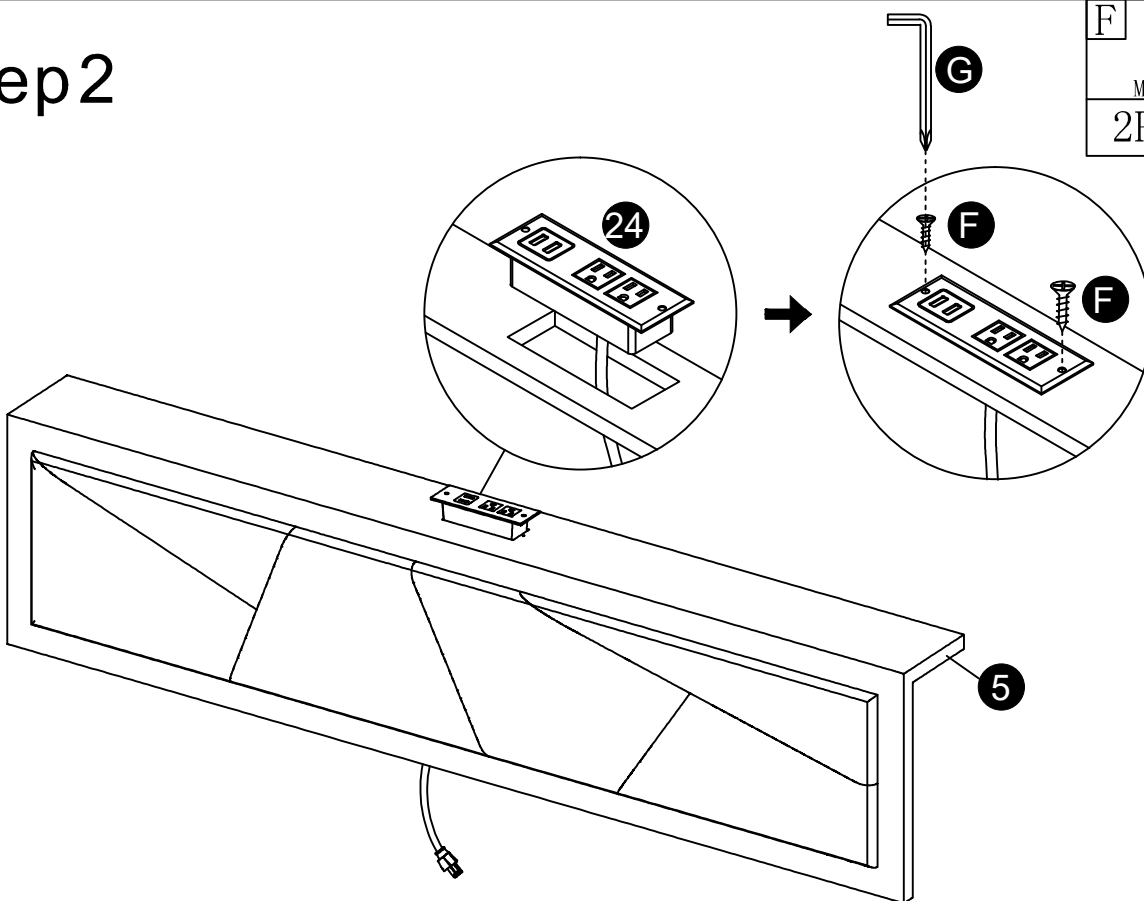
Pay attention to the installation direction of part 18

C	 M8*15mm	G	 M5
7PCS		1PC	



step 2

F	 M4*12mm	G	
2PCS		1PC	

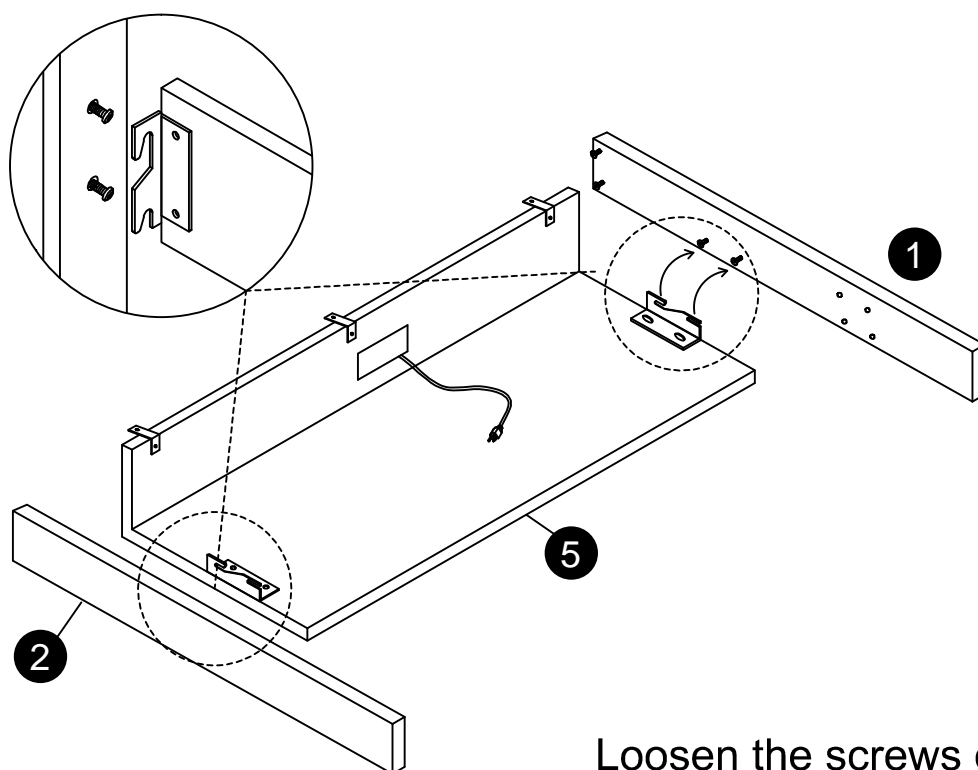


step3

G

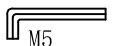
M5

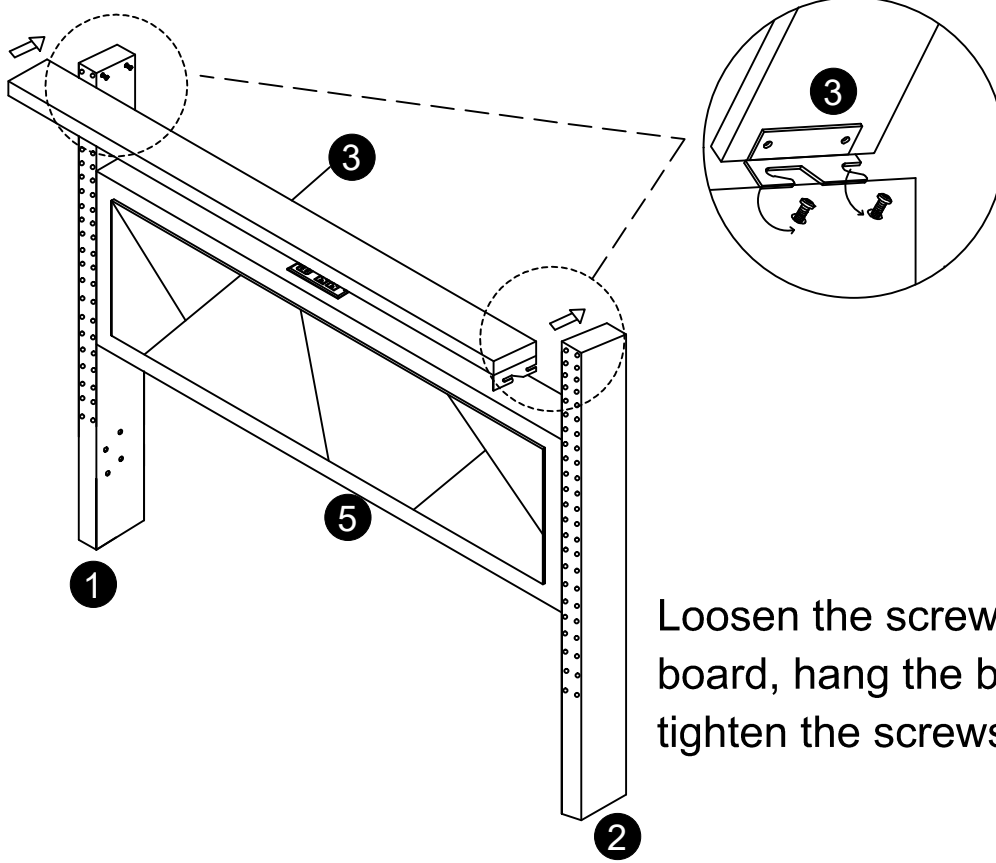
1PC



Loosen the screws on the side board, hang the brackets and tighten the screws.



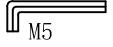
step 4

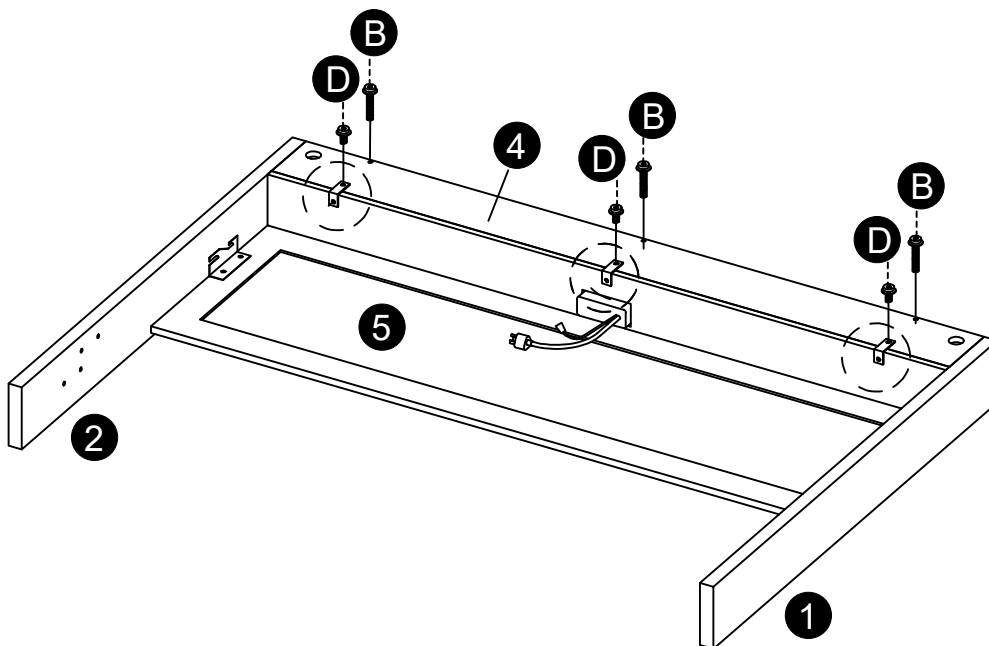
G	
	M5
1PC	




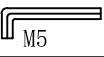
Loosen the screws on the side board, hang the brackets and tighten the screws.

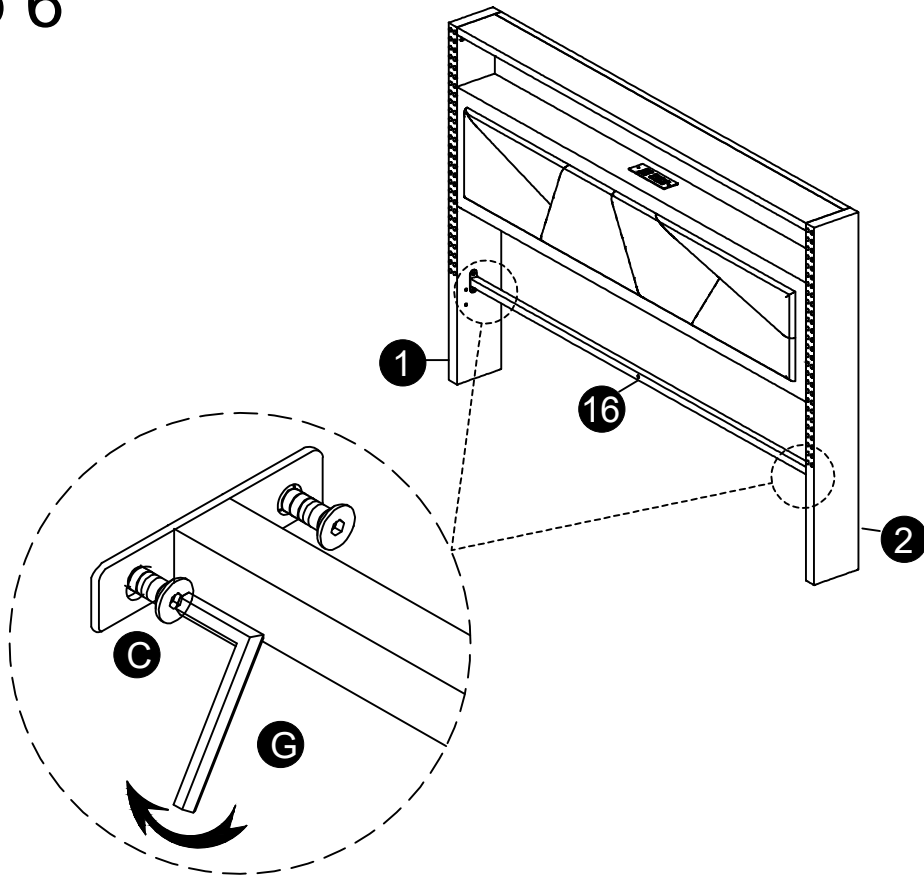
step 5

B		D		G	
	M8*35mm		M8*10mm		M5
3PCS		3PCS		1PC	



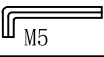


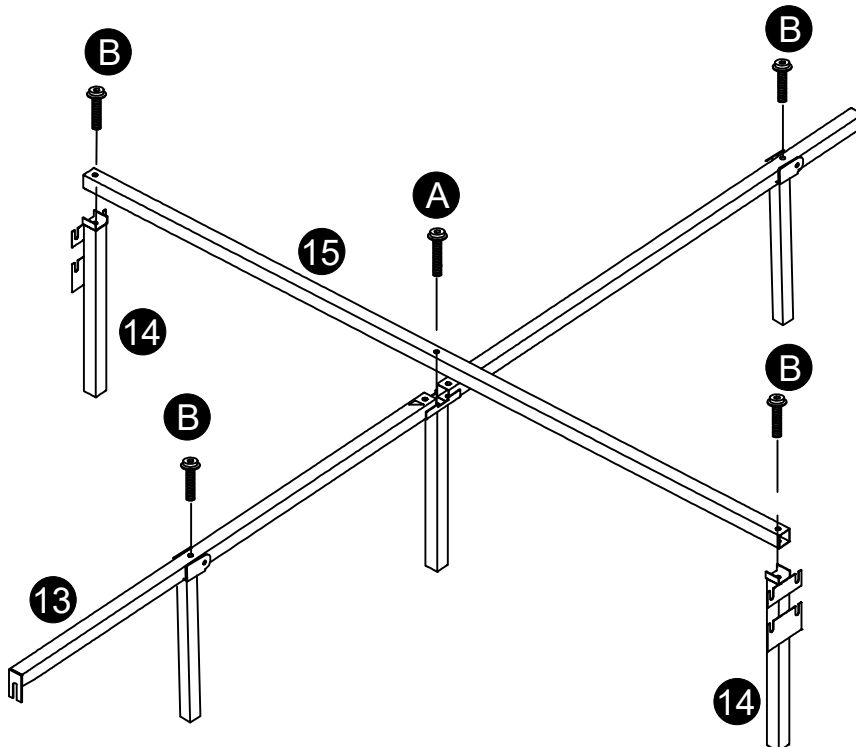
step 6

C	 M8*15mm	G	 M5
	4PCS		1PC



step 7

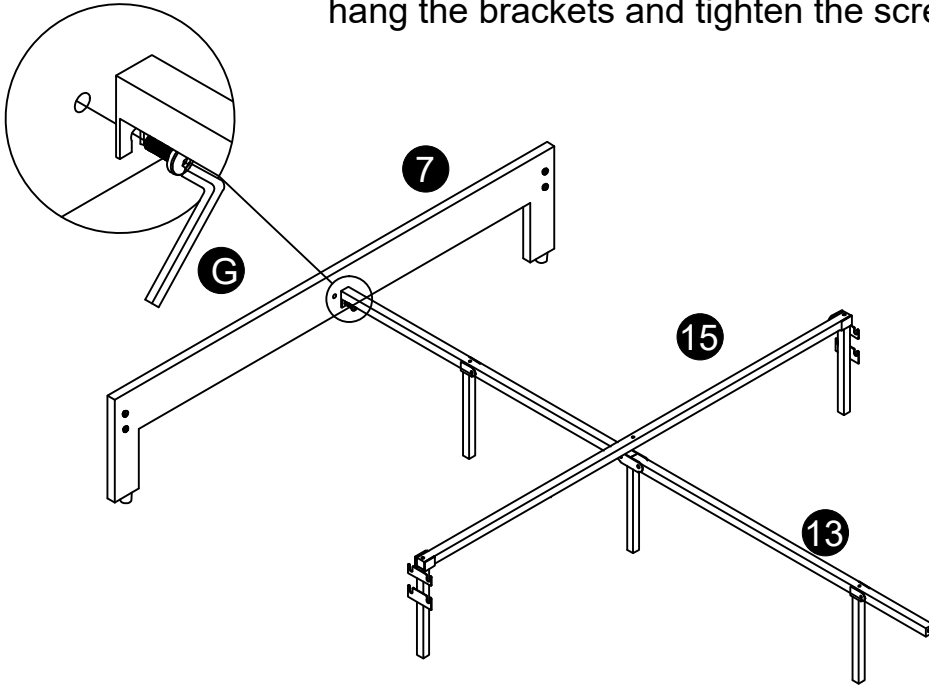
A	 M8*50mm	B	 M8*35mm	G	 M5
	1PC		4PCS		1PC



step 8

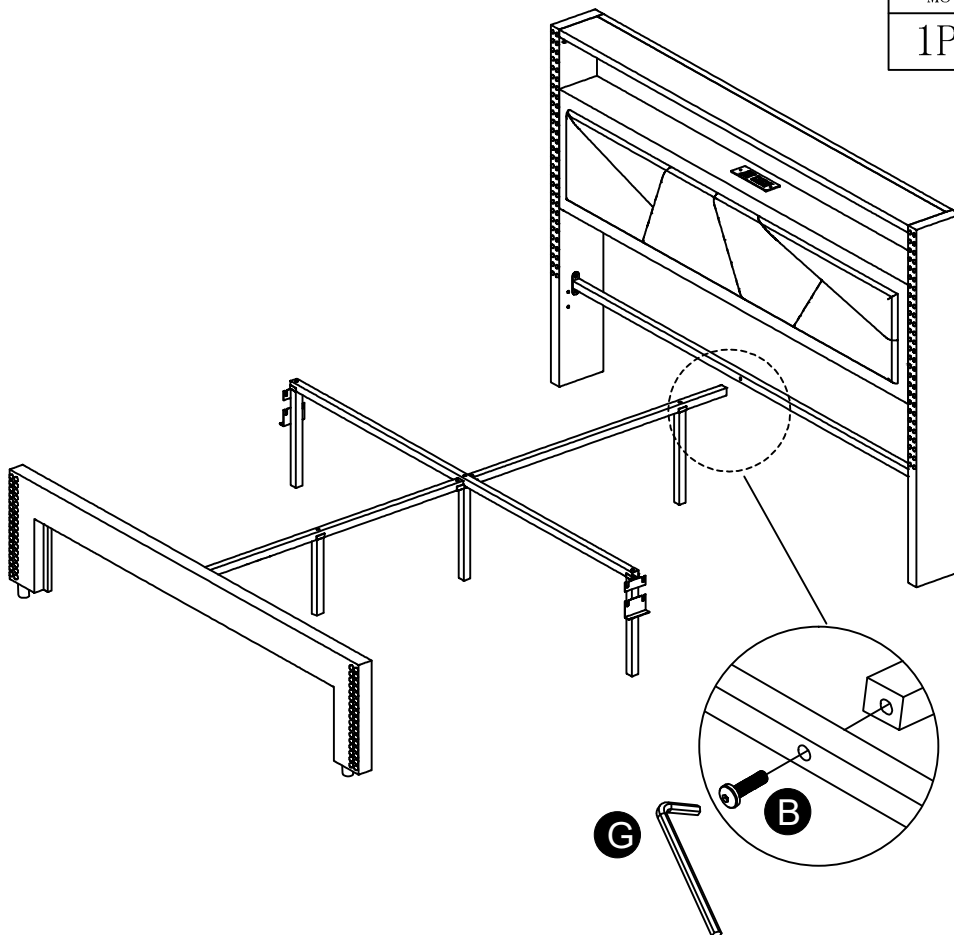
G
M5
1PC

Loosen the screws on the Footboard, hang the brackets and tighten the screws.


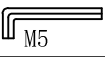


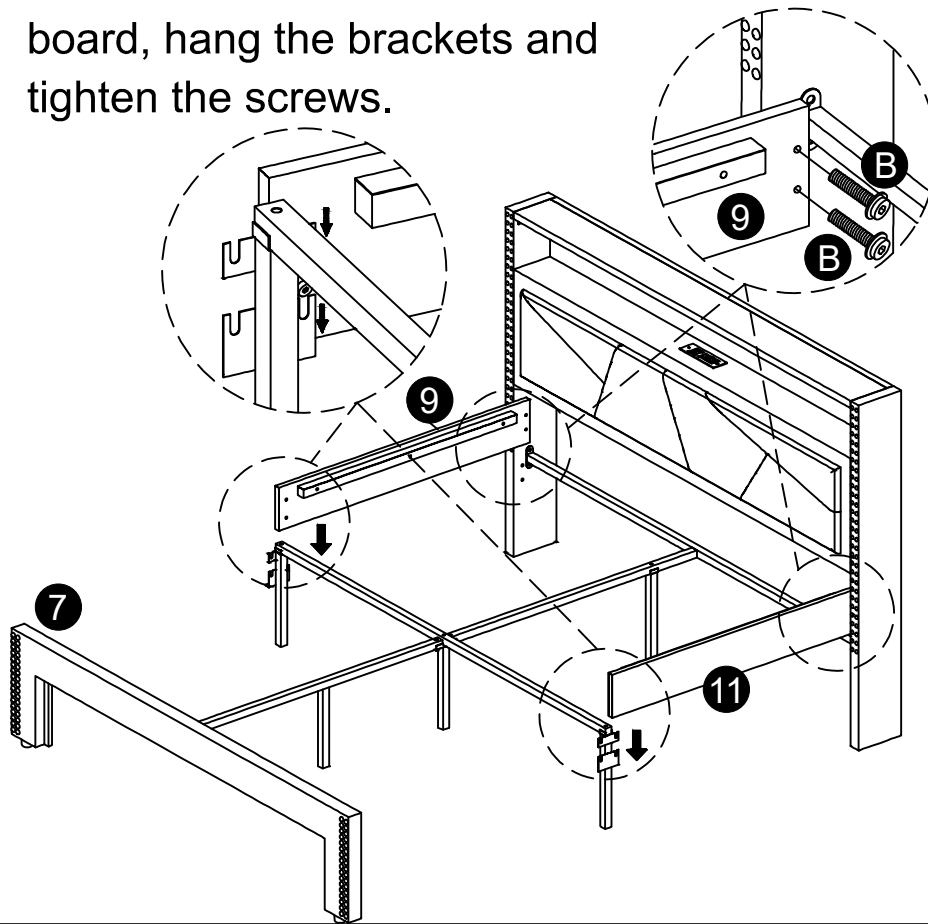
step 9

B	G
M8*35mm	M5
1PC	1PC

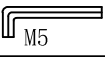


step 10 Loosen the screws on the side board, hang the brackets and tighten the screws.

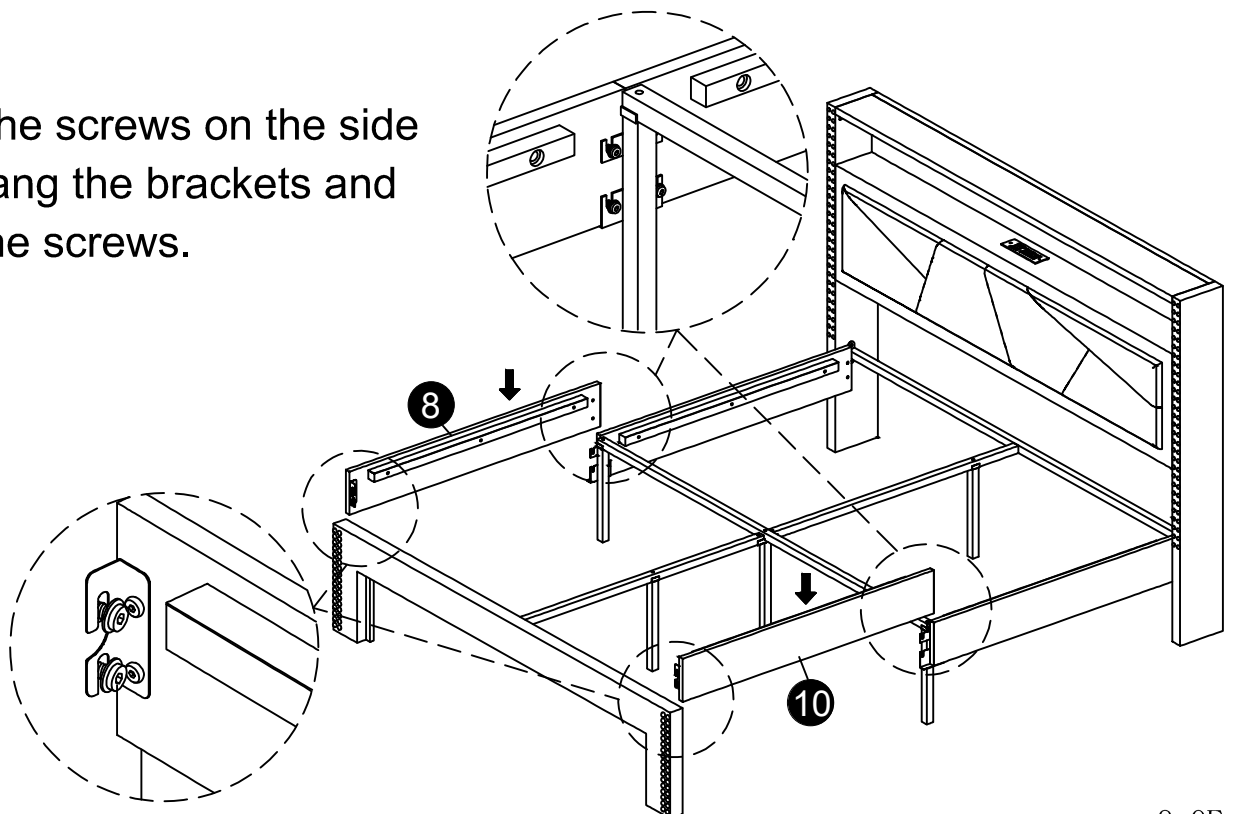
B	 M8*35mm	G	 M5
	4PCS		1PC



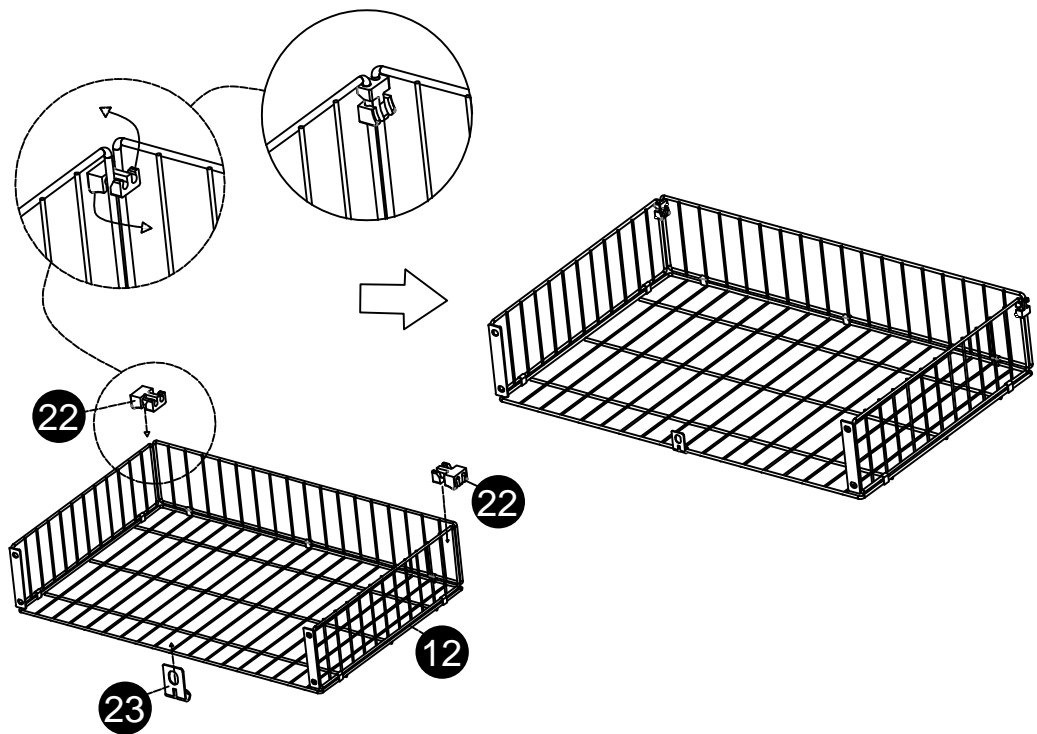
step 11

G	 M5
	1PC

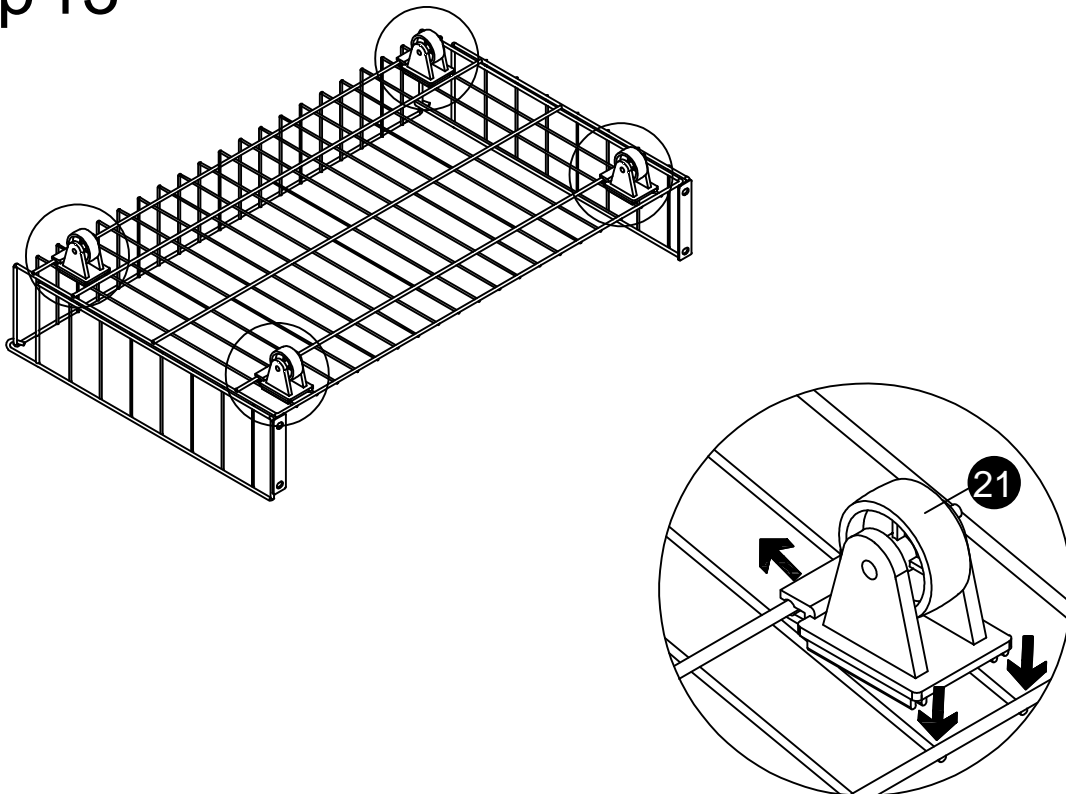
Loosen the screws on the side board, hang the brackets and tighten the screws.




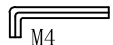
step 12

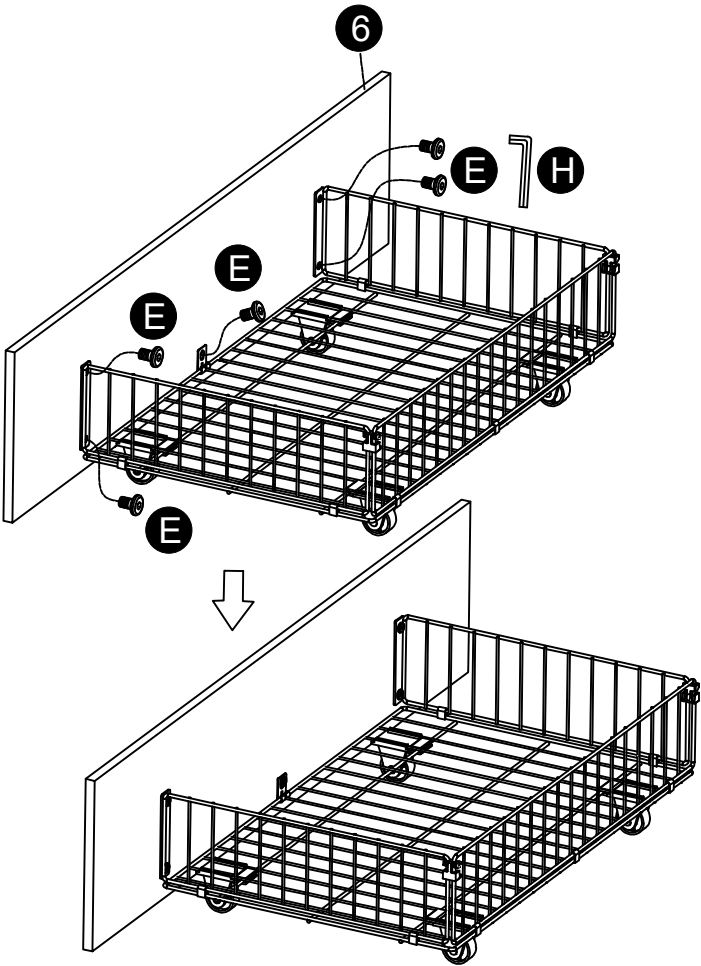


step 13

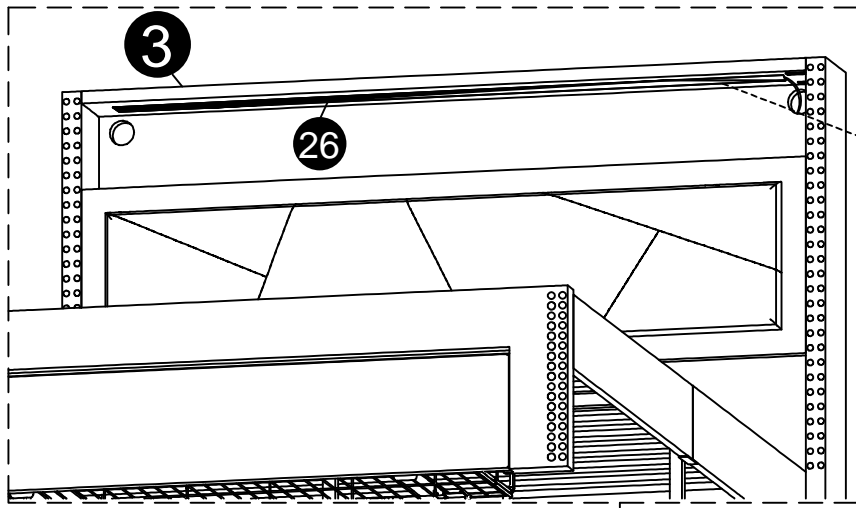


step 14

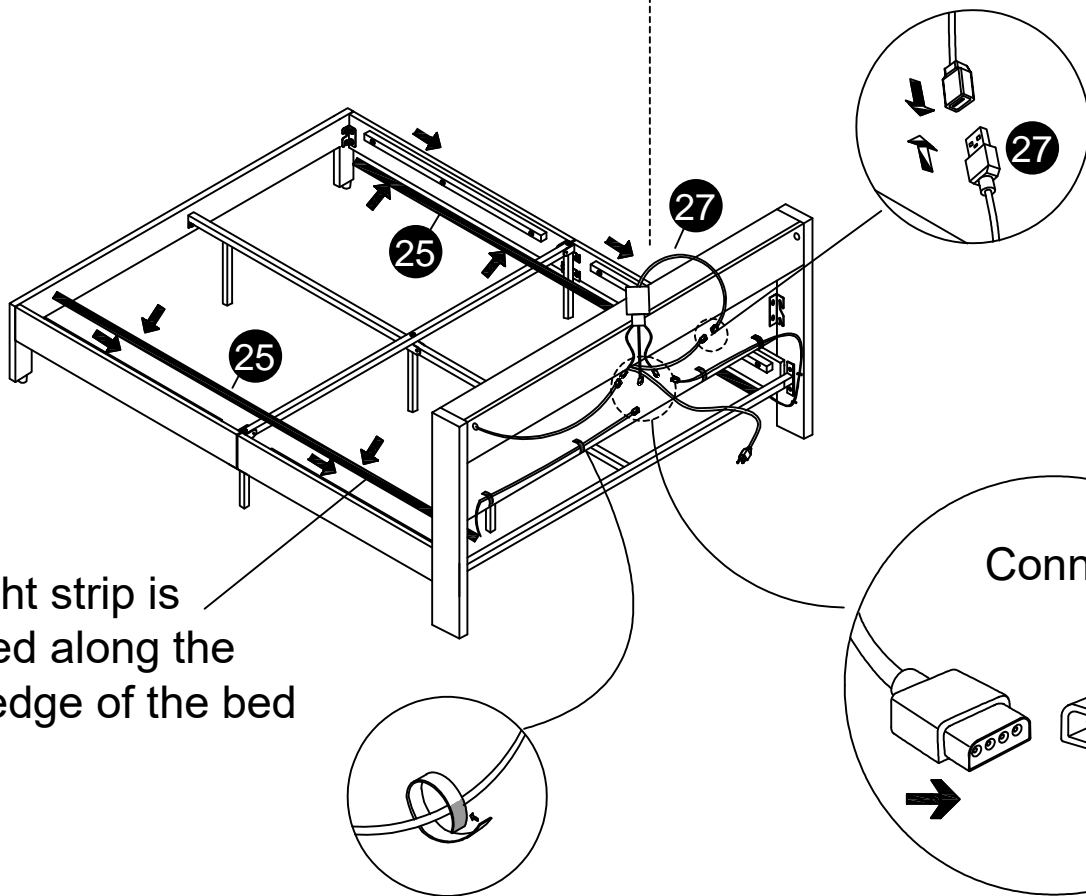
E	 M6*12mm	H	 M4
5PCS		1PC	



step 15



Light strip 26 stuck on the inner side of 3



The light strip is attached along the lower edge of the bed side

1. From the inside of the foot to the back, the magicband is tied all the way. Please tie the wires with magic tape

2. After all wires are reconnected, except for the large power plug that must be connected to the power supply, other wires can be folded and tied into the large magic tape on the back.

step 16

