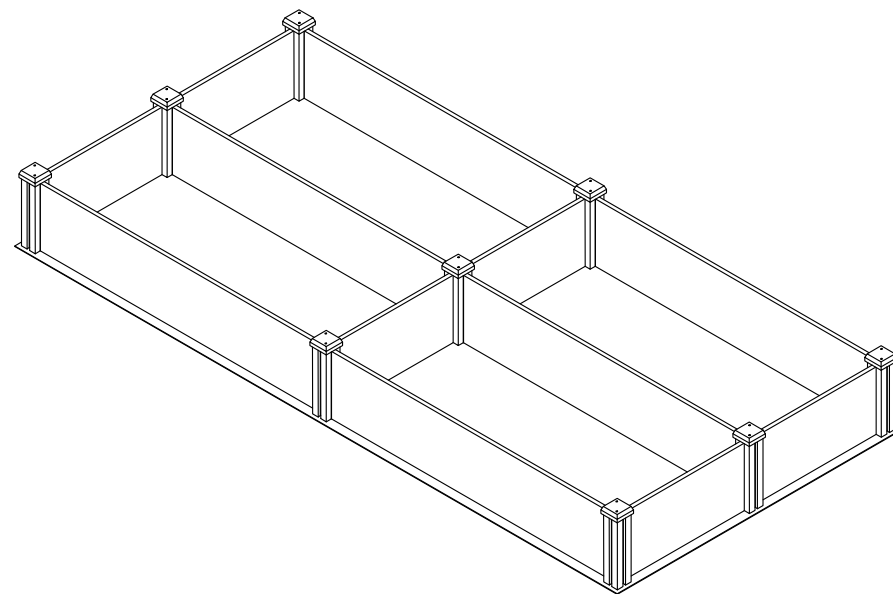


ASSEMBLY INSTRUCTIONS
PLEASE RETAIN THESE INSTRUCTIONS FOR FUTURE USE



TIME ASSEMBLE : 20-40 minutes



NUMBER OF PERSON: 2

Greeting!
So here I am

your new friend

- ▶ Thanks for letting me be a home for your planter/flowers.
- ▶ Just remember to take care of me, so I can last a long time.
- ▶ When you first get me, you might smell a funny smell. Don't worry, it's not dangerous.
- ▶ Just let me air out for a few days and the smell will go away.
- ▶ Be careful when you're putting me together because some of my parts can be sharp or heavy.
- ▶ Make sure to start by loosely putting in screws, and then tighten them all before using me.
- ▶ If you notice anything broken or missing, stop using me until it's fixed. and please follow the instructions from the maker so your warranty stays good.
- ▶ You can use me both inside and outside, but if you put me outside, make sure to give me an extra cover to keep me from getting moldy.
- ▶ I like to be on a level surface so my doors work smoothly.
- ▶ Keep me away from fire and dangerous chemicals.
- ▶ Clean me with a damp, soapy sponge without corrosive agents.
- ▶ Dry me with a soft, clean, dry cloth.
- ▶ Do not use a high pressure cleaner on me.
- ▶ Do not use bleach, acids, solvents, or abrasive cleaners on me.
- ▶ Check that all my bolts, screws, and knobs are tight every 90 days.



HELP CENTER

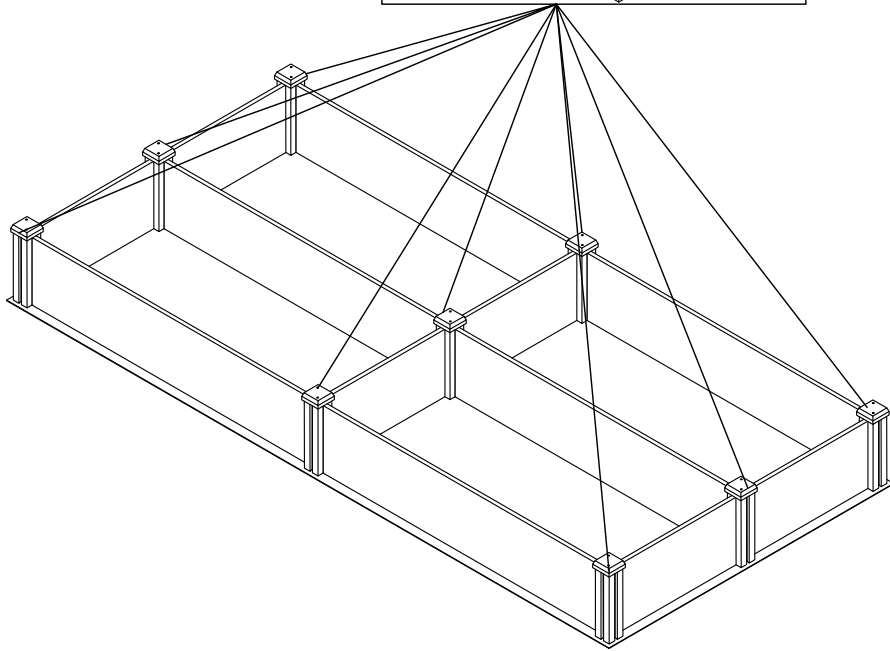
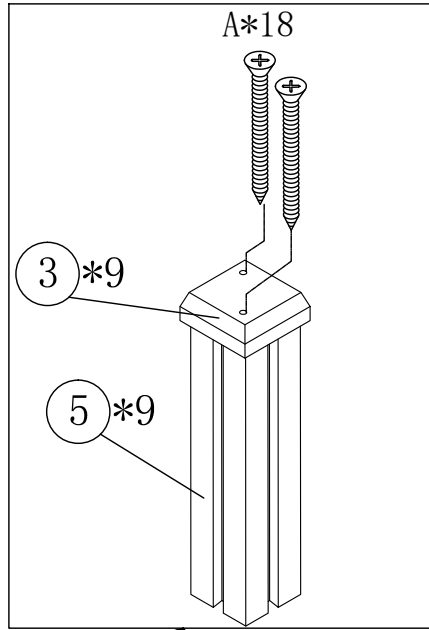
- ▶ Your full satisfaction is our **FIRST** priority
- ▶ We hope you enjoy it and have a good shopping experience.
- ▶ We are committed to resolve any situation when it does not meet your expectations.
- ▶ Please feel free to contact us through order detail page, we will get back to you and solve them within 24 hours.



WARNING:

Manufacturer and seller expressly disclaim any liability for personal injury, property damage or loss, whether direct, indirect, or incidental, resulting from incorrect attachment, improper use, inadequate maintenance or neglect of this.

A M3.5*40 18PCS

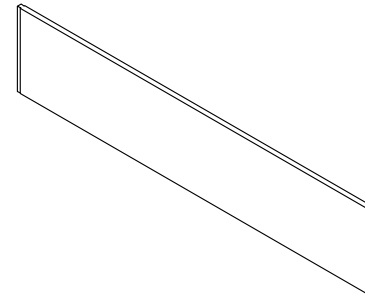


Fix ⑤ *9 Leg cap on ③ *9 Wooden leg with screws.

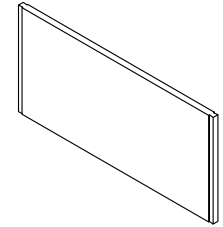
STEP 7

ASSEMBLY INSTRUCTION

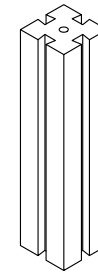
Tool Required:  Electric Drill  Phillips Screwdriver



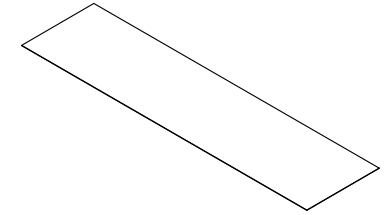
① *6 Long panel



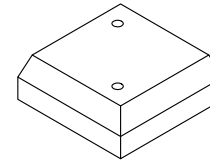
② *6 Short panel



③ *9 Wooden leg





④ *2 Lining

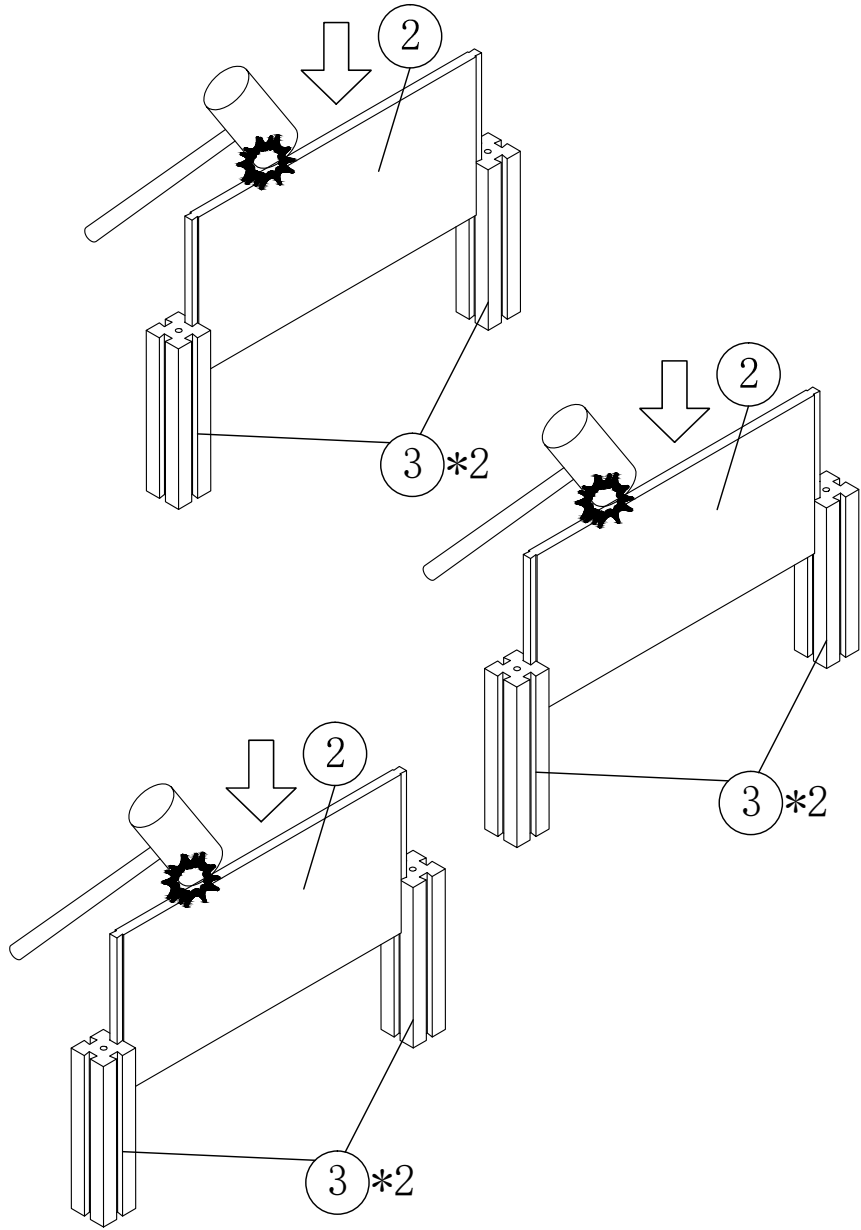


⑤ *9 Leg cap

Parts Description

	A M3.5*40	18PCS+1
	B	9PCS

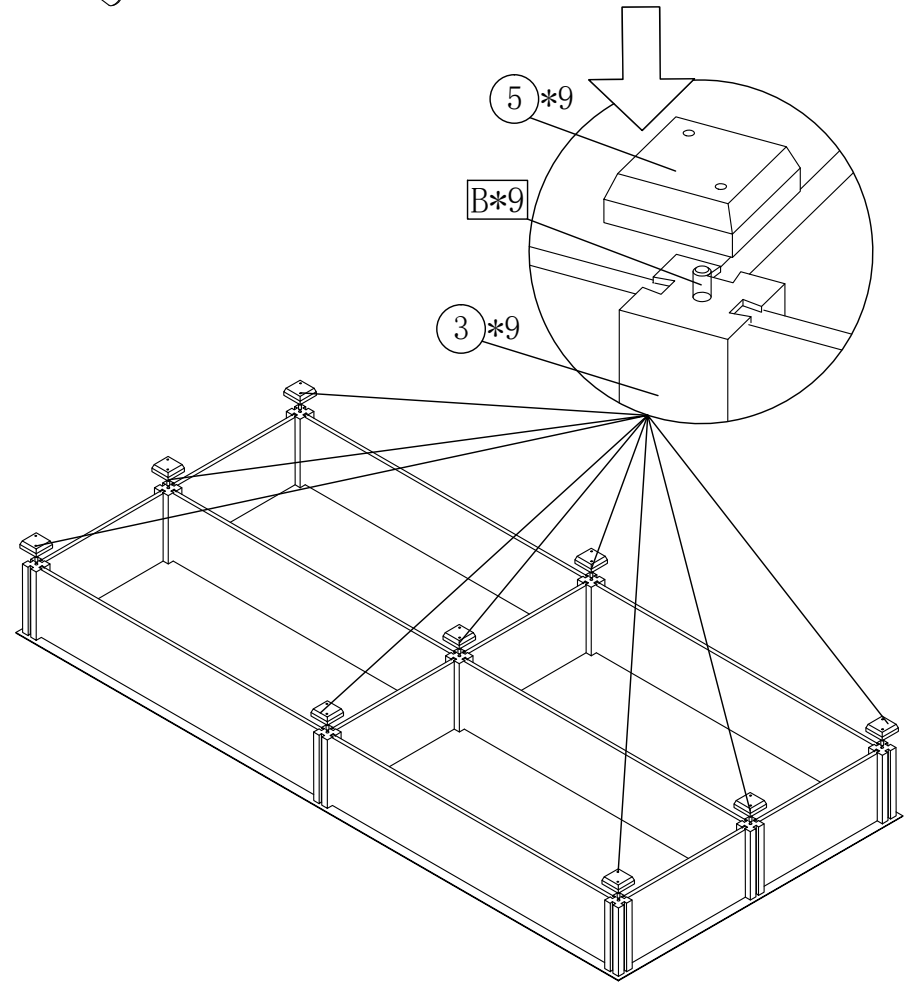
NOTE: Please use a rubber mallet to carefully hammer panels to make sure they are in the same level.



Fix (2)*3 Short panel, (3)*6 Wooden leg together.

STEP 1

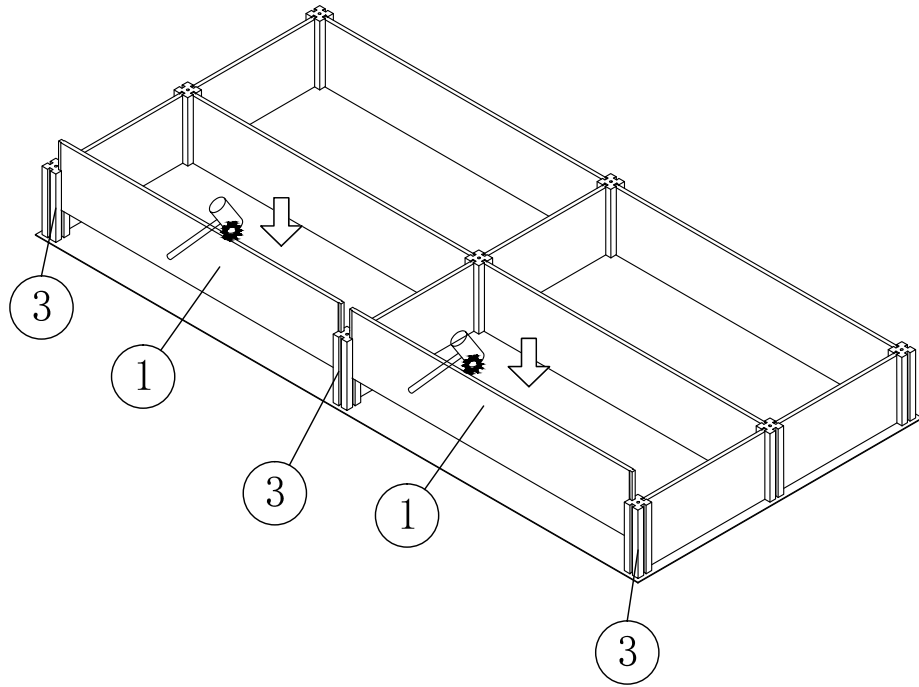
B  6PCS



Fix (5)*9 Leg caps on (3)*9 Wooden leg With (B)*9 Dowel.

STEP 6

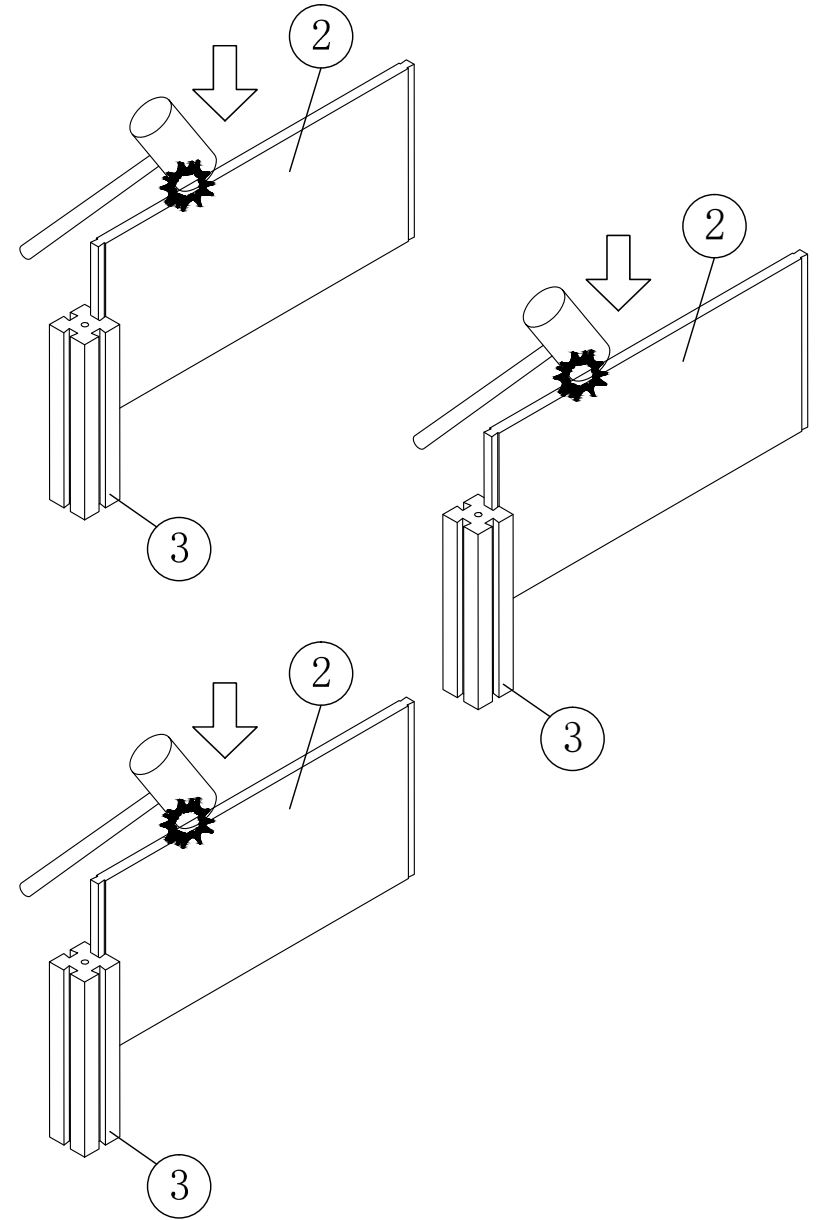
NOTE: Please use a rubber mallet to carefully hammer panels to make sure they are in the same level.



Insert ①*2 Long panel into ③*3 Wooden leg.

STEP 5

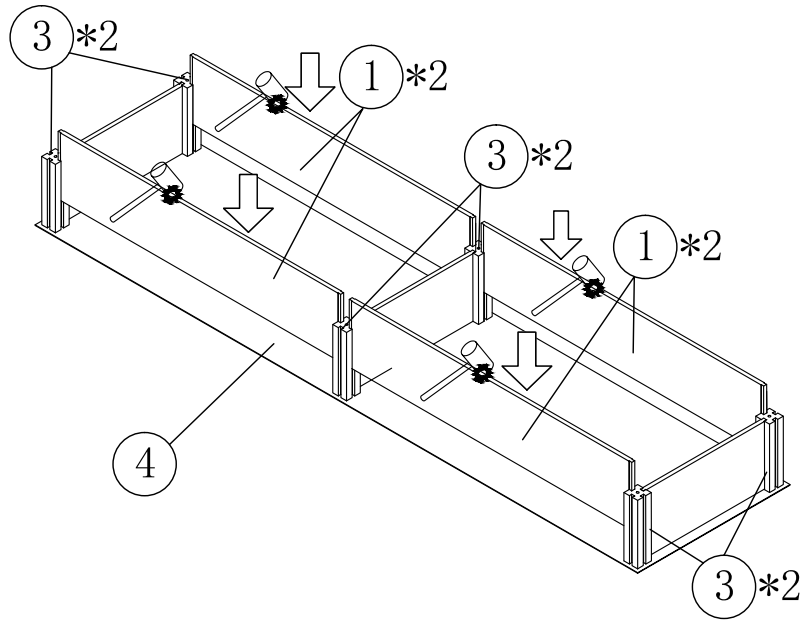
NOTE: Please use a rubber mallet to carefully hammer panels to make sure they are in the same level.



Fix ②*3 Short panel, ③*3 Wooden leg together.

STEP 2

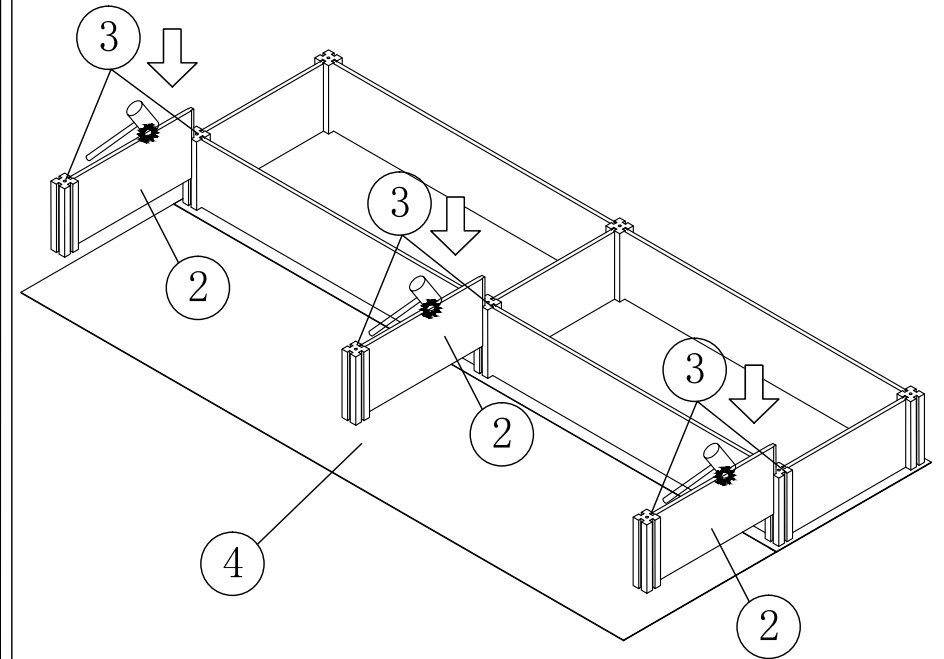
NOTE: Please use a rubber mallet to carefully hammer panels to make sure they are in the same level.



Put in (4) Lining, Insert (1)*4 Long panel into (3)*6 Wooden leg.

STEP 3

NOTE: Please use a rubber mallet to carefully hammer panels to make sure they are in the same level.



Put in (4) Lining.

Put (2)*3 Short panel and (3)*3 Wooden leg into (3)*3 Wooden leg.

STEP 4