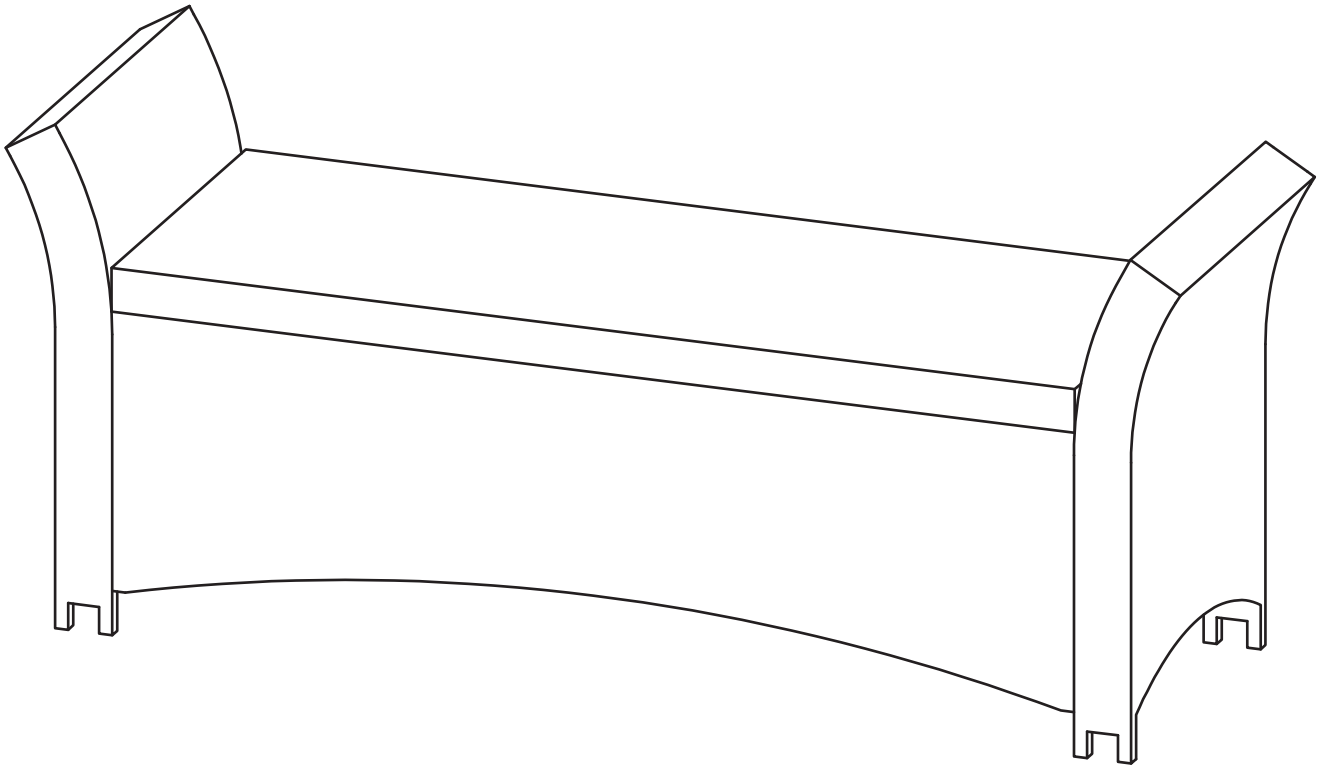


ASSEMBLY INSTRUCTION

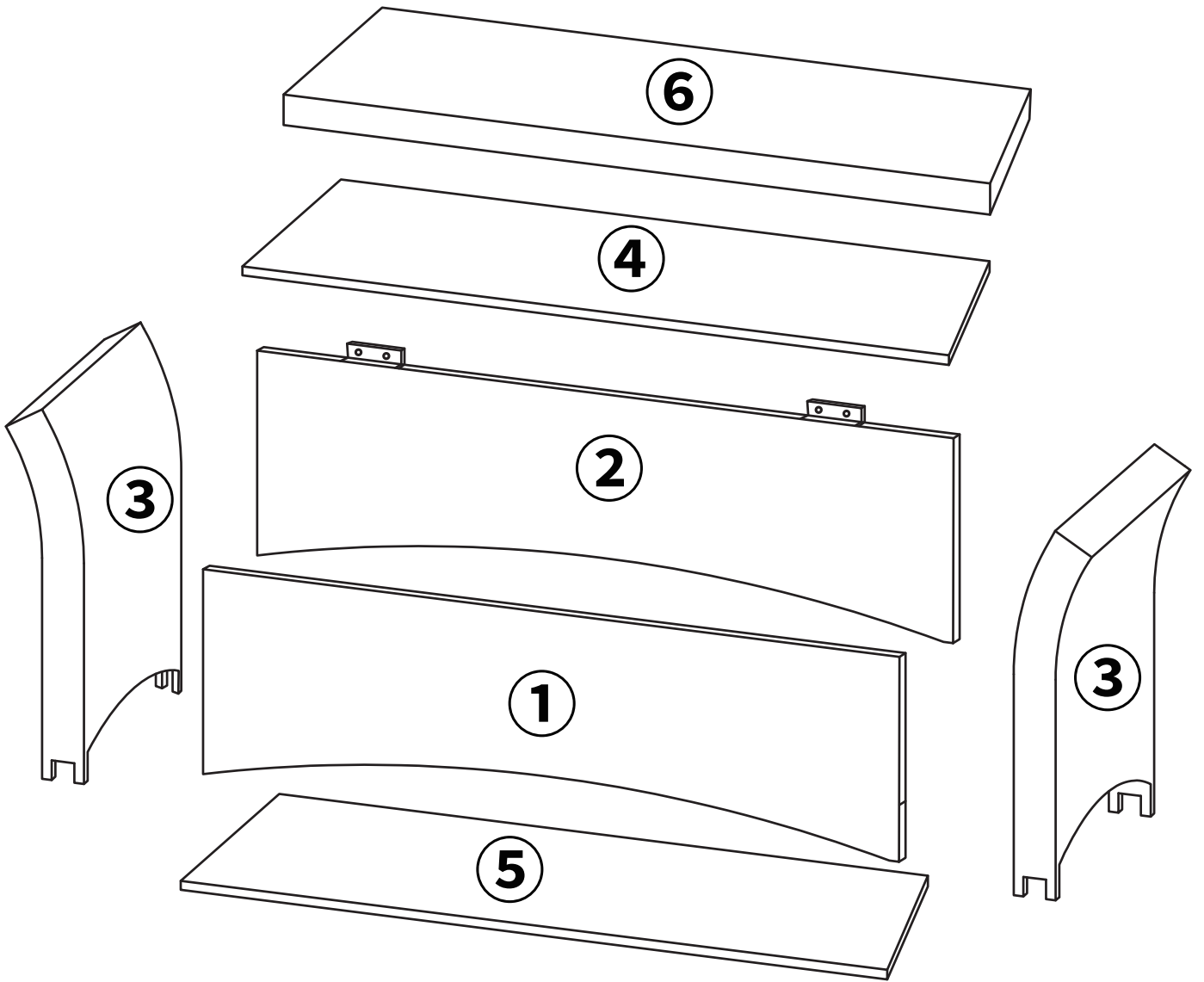


WARNING

Do not tighten bolts until product is completely assembled.

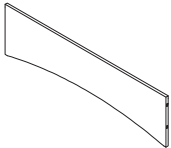
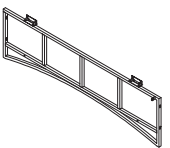
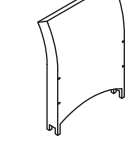
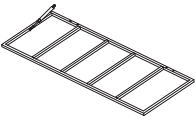
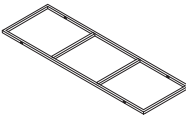
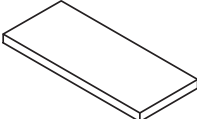
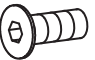
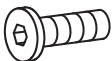






CAUTION

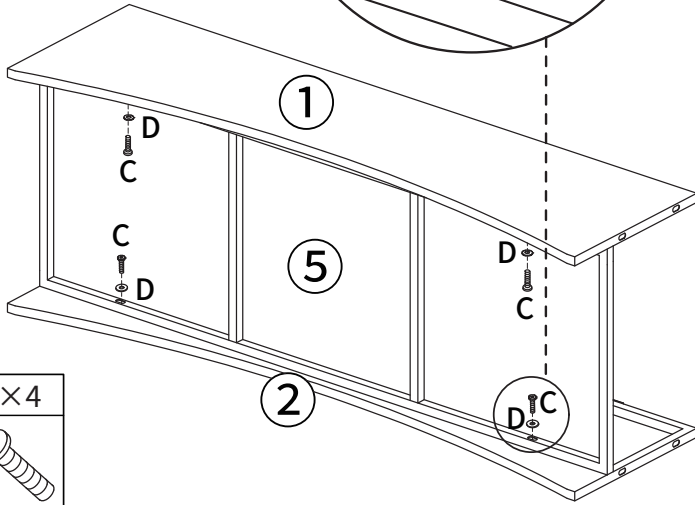
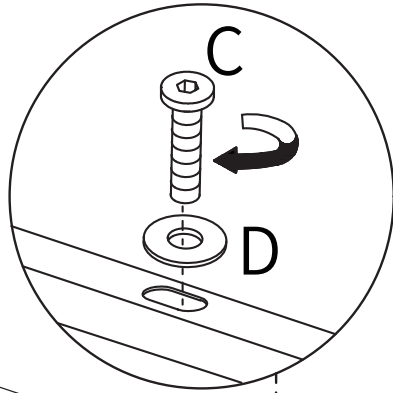
- * Read all the instructions before assembly. Failure to do so may result in faulty assembly and potential injury!
- * Assemble product on a soft, non-abrasive surface such as carpet or cardboard to avoid damaging the item.
- * Remove the parts from the carton and take off all protective material, identify all parts packed in the carton against the parts list.





Package Contents: Hardware

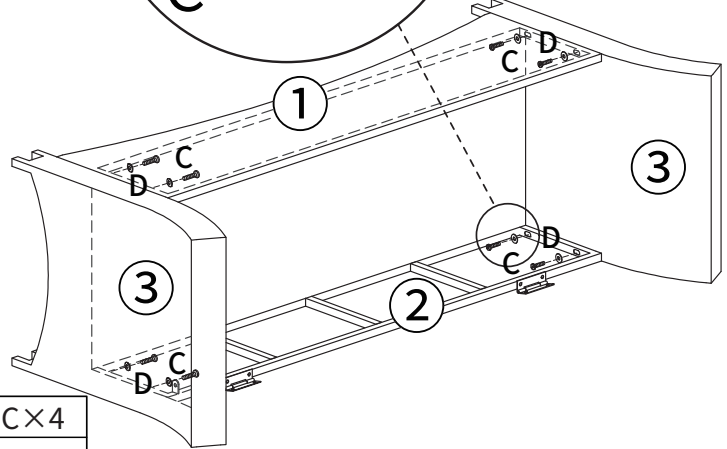
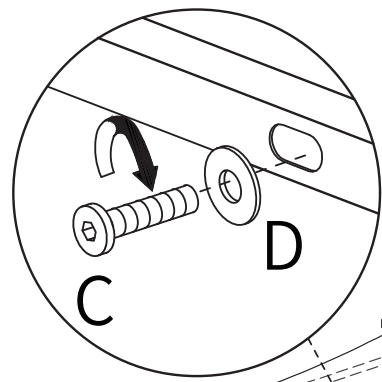
Please count and verify all parts before assembly.

①×1	②×1	③×2	④×1	⑤×1	⑥×1	A×6
 Front rack	 Back rack	 Stool leg	 Stool top	 Stool bottom	 Stool cushion	 M6*15 mm
B×2	C×10	D×11	E×2	F×2		
 M6*20 mm	 M6*40 mm	 Washer M6*1mm	 Washer M6*3mm	 Nut	 Wrench 1PC	 Allen wrench 1PC

1

- C×4

- D×4


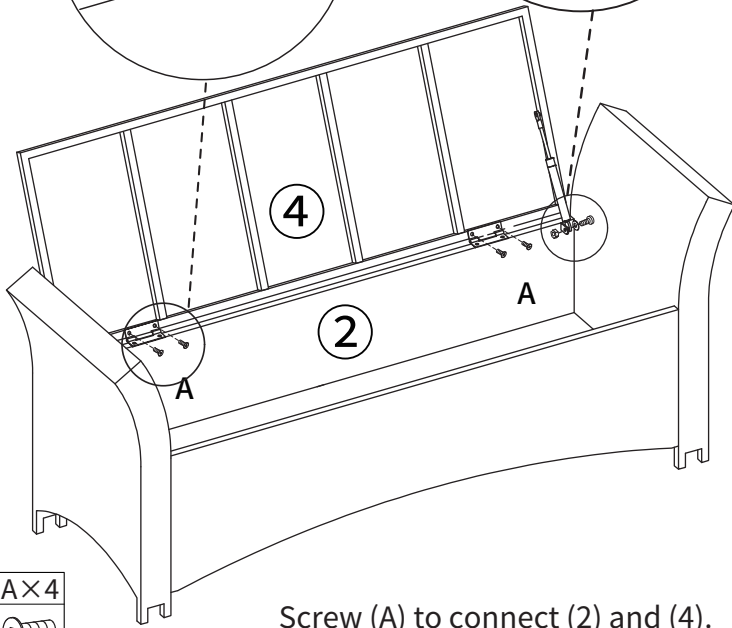
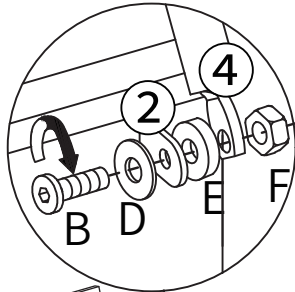
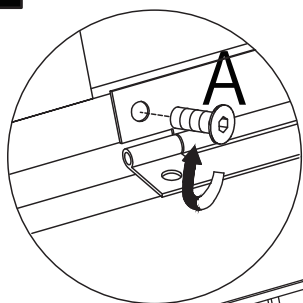
As shown, connect (1), (2), and (5).
Insert (C) through (D) and the holes on (5),
then fasten it into (1) and (2).
Note: Do not fully tighten screw (C) yet.

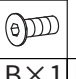
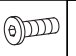



2

- C×4

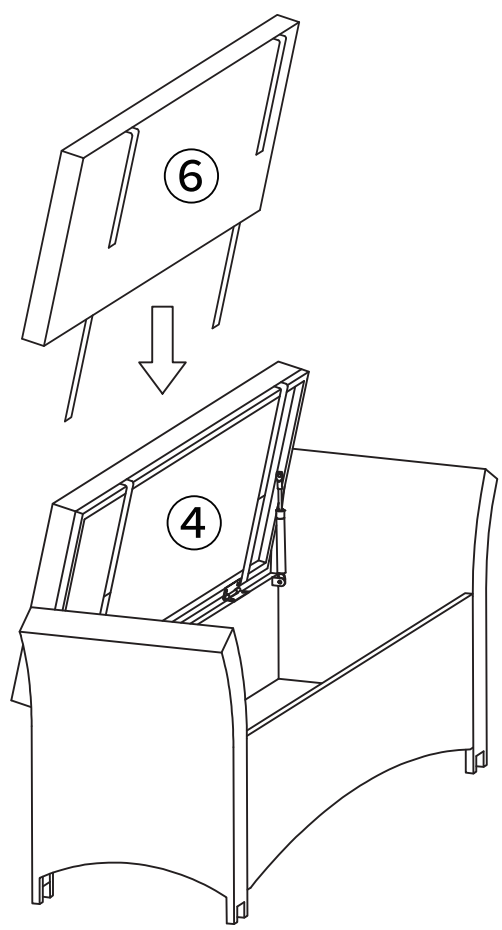
- D×4


Insert (C) through (D) and the holes on (5),
then fasten into both (3).
Note: Do not fully tighten screw (C) yet.

3

- A×4

- B×1 D×1 E×1 F×1
   

Screw (A) to connect (2) and (4).
Insert (B) through (D)(E) (4),
then fasten it into (F).
Now tighten all screws securely.

4

Hang (6) onto (4).
Assembly is complete.