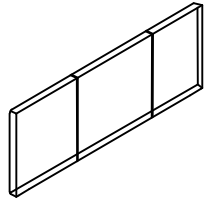
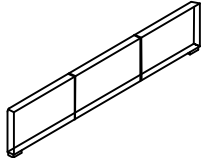
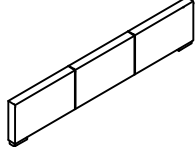
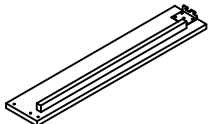
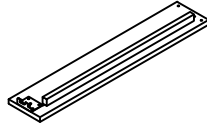
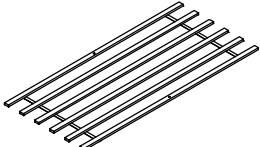
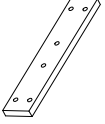
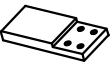
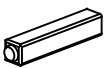
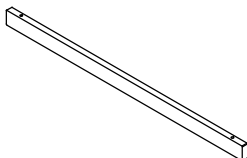
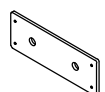








-TWIN-FULL-QUEEN-KING

**PART LIST:**

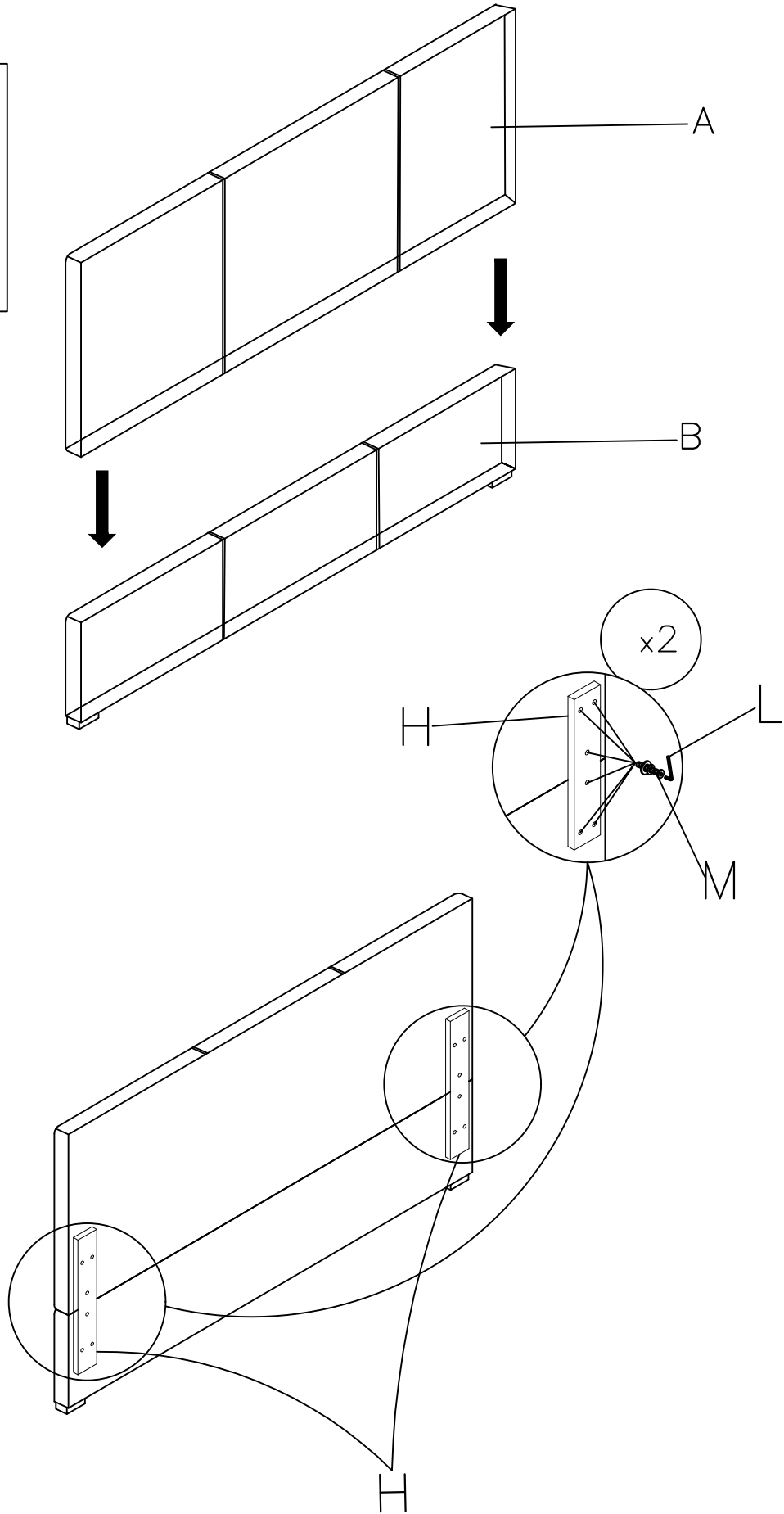
<p>A x 1</p> 	<p>B x 1</p> 	<p>C x 1</p> 	<p>D x 2</p> 
<p>E x 2</p> 	<p>F x 2</p> 	<p>H x 2</p> 	<p>G x 2</p> 
<p>I x 4</p> 	<p>J x 2</p> 		

**HARDWARE LIST:**

<p>K x 2</p> 	<p>L x 1</p>  <p>(M4)</p>	<p>M x 12</p>  <p>ø5/16"x40mm</p>	<p>N x 8</p>  <p>ø5/16"x25mm</p>
<p>O x 4</p>  <p>ø1/4"x80mm</p>	<p>P x 8</p>  <p>ø1/4"x35mm</p>	<p>Q x 4</p>  <p>ø1/4"x20mm</p>	

-TWIN-FULL-QUEEN-KING

**STEP 1:**



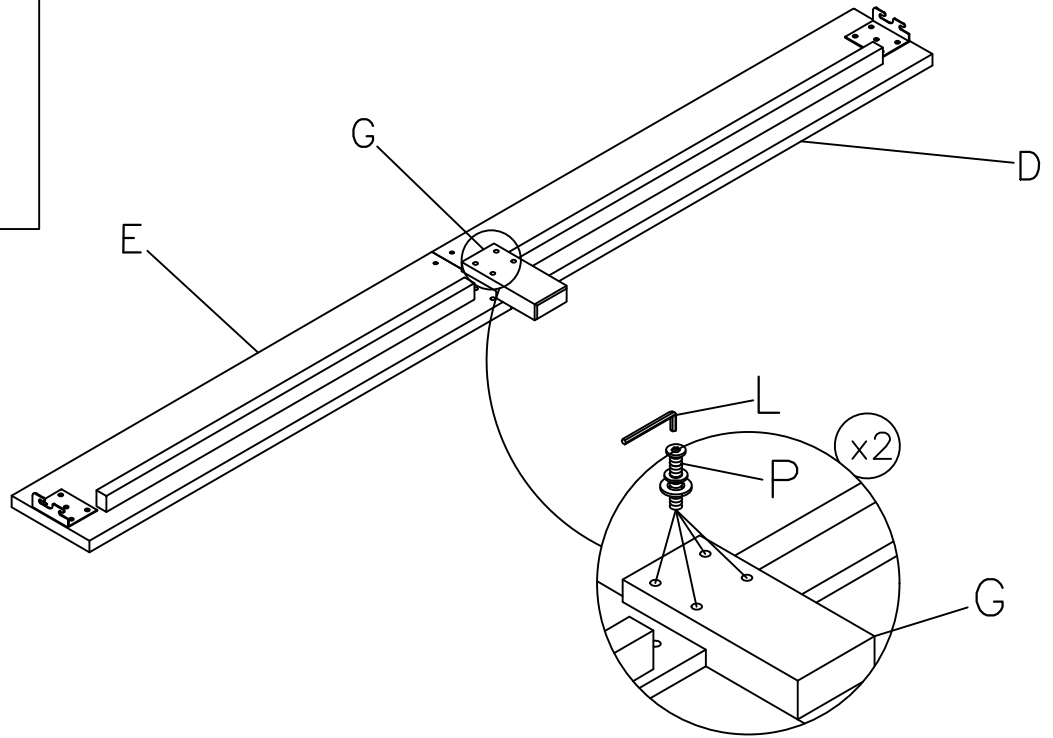
# -TWIN-FULL-QUEEN-KING

## STEP 2:

P x 8



ø1/4"x35mm

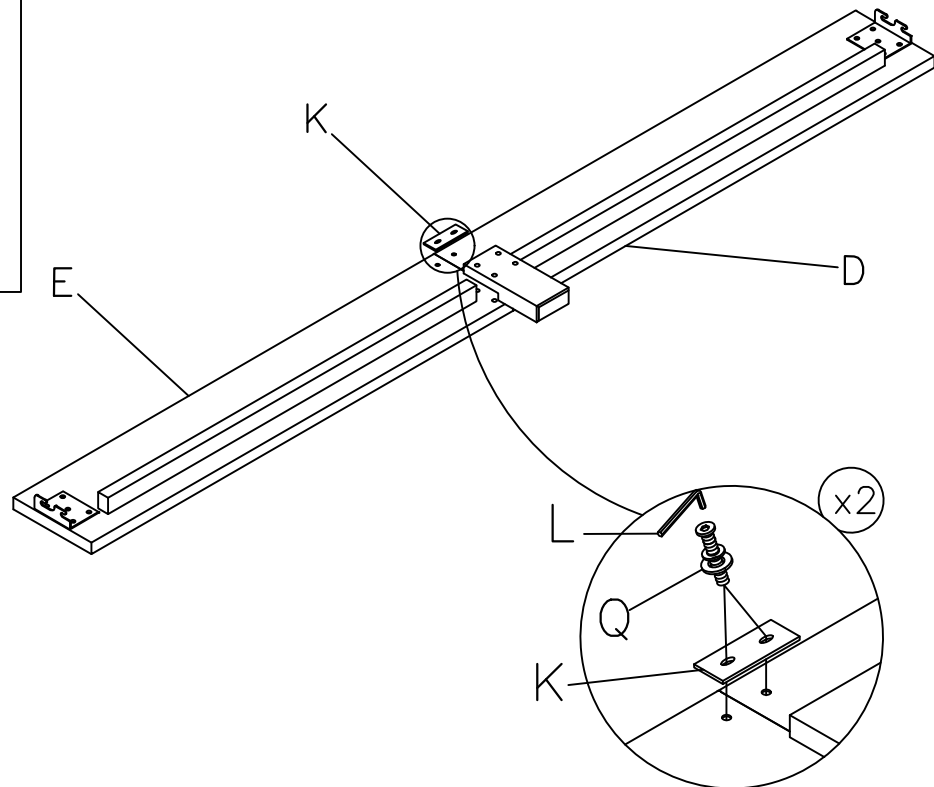


## STEP 3:

Q x 4



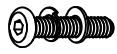
ø1/4"x20mm



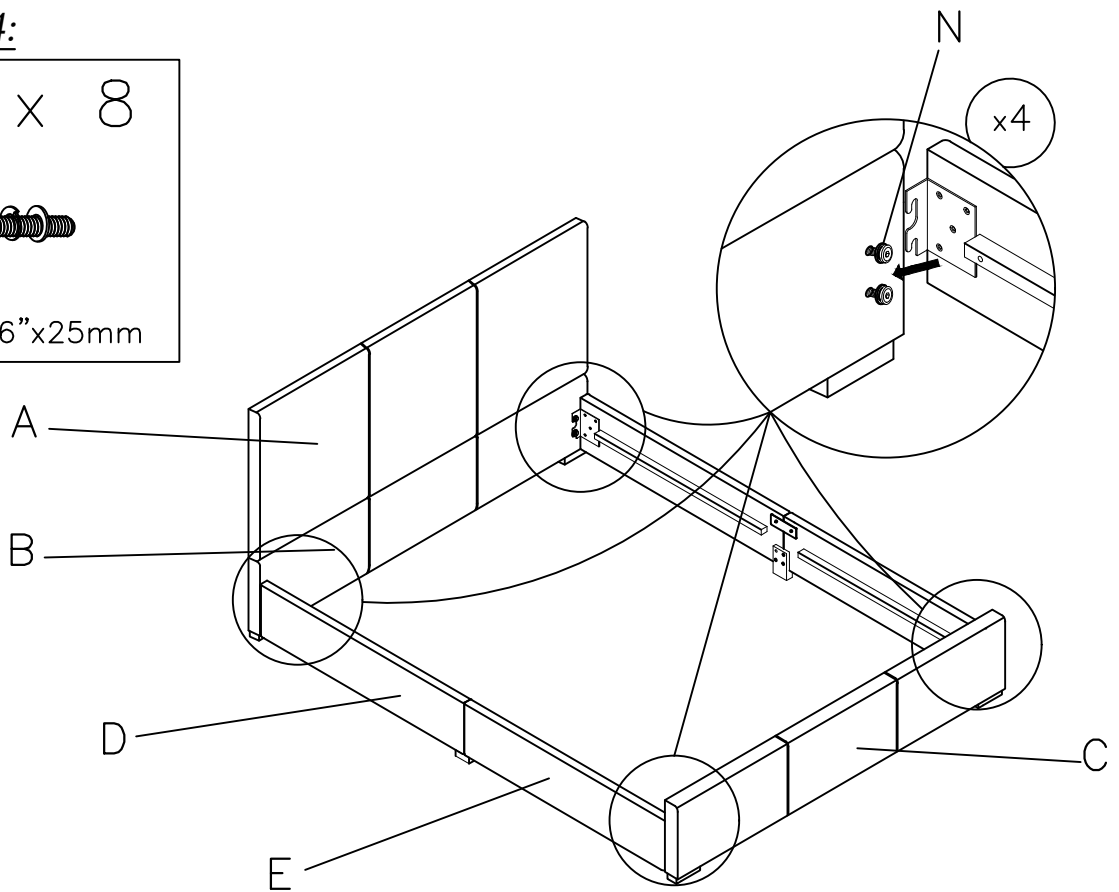
# TWIN-FULL-QUEEN-KING

## STEP 4:

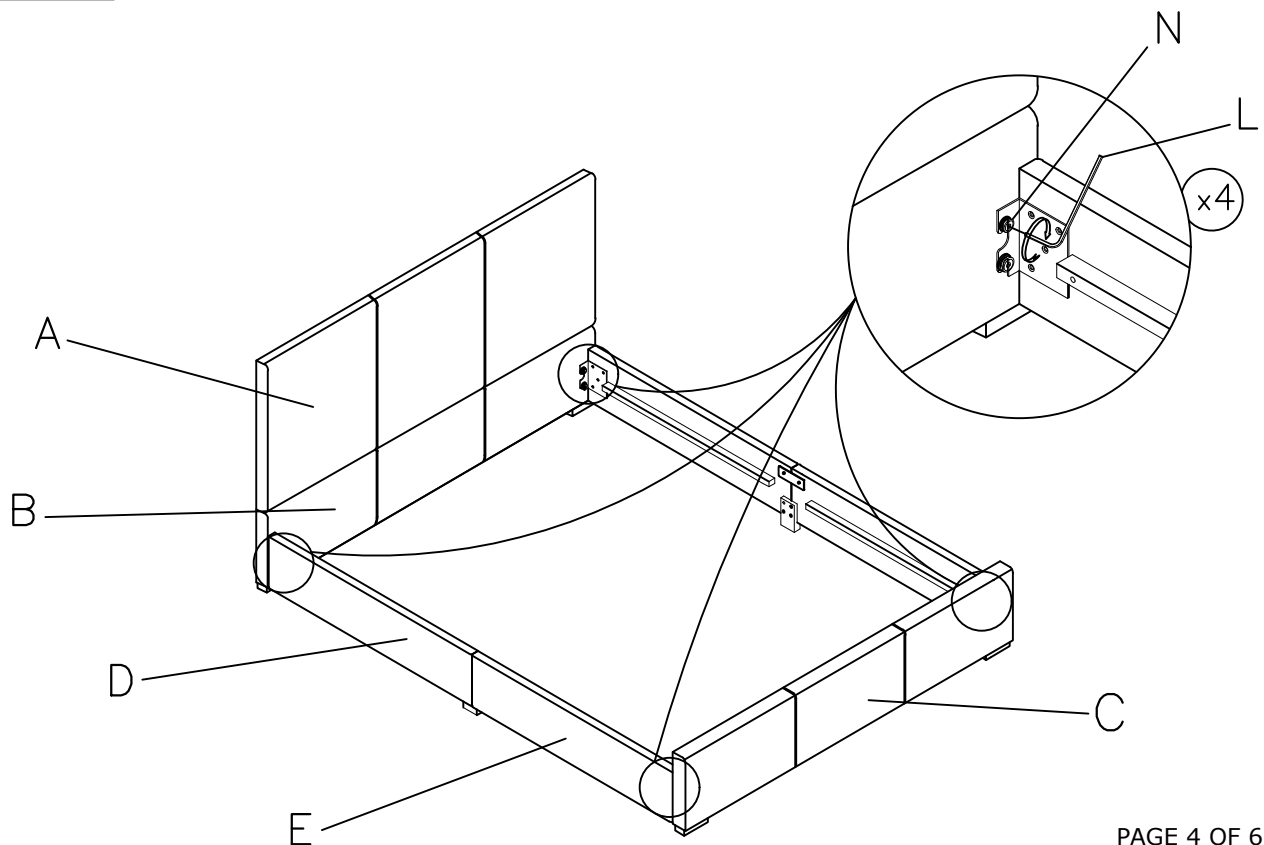
N x 8



ø5/16"x25mm

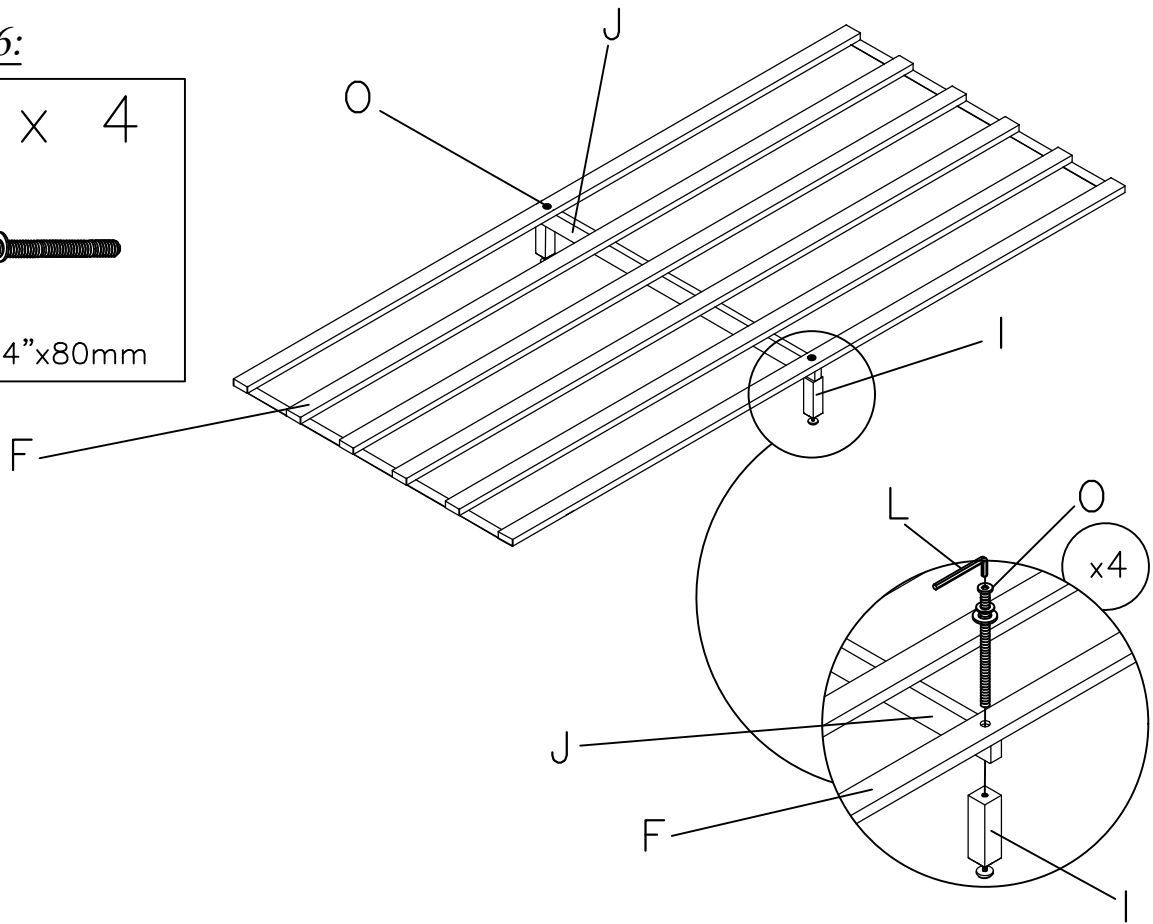
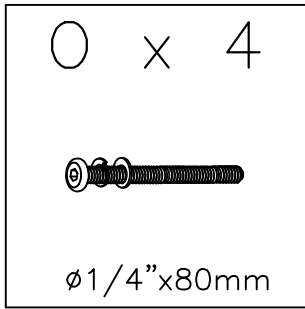


## STEP 5:

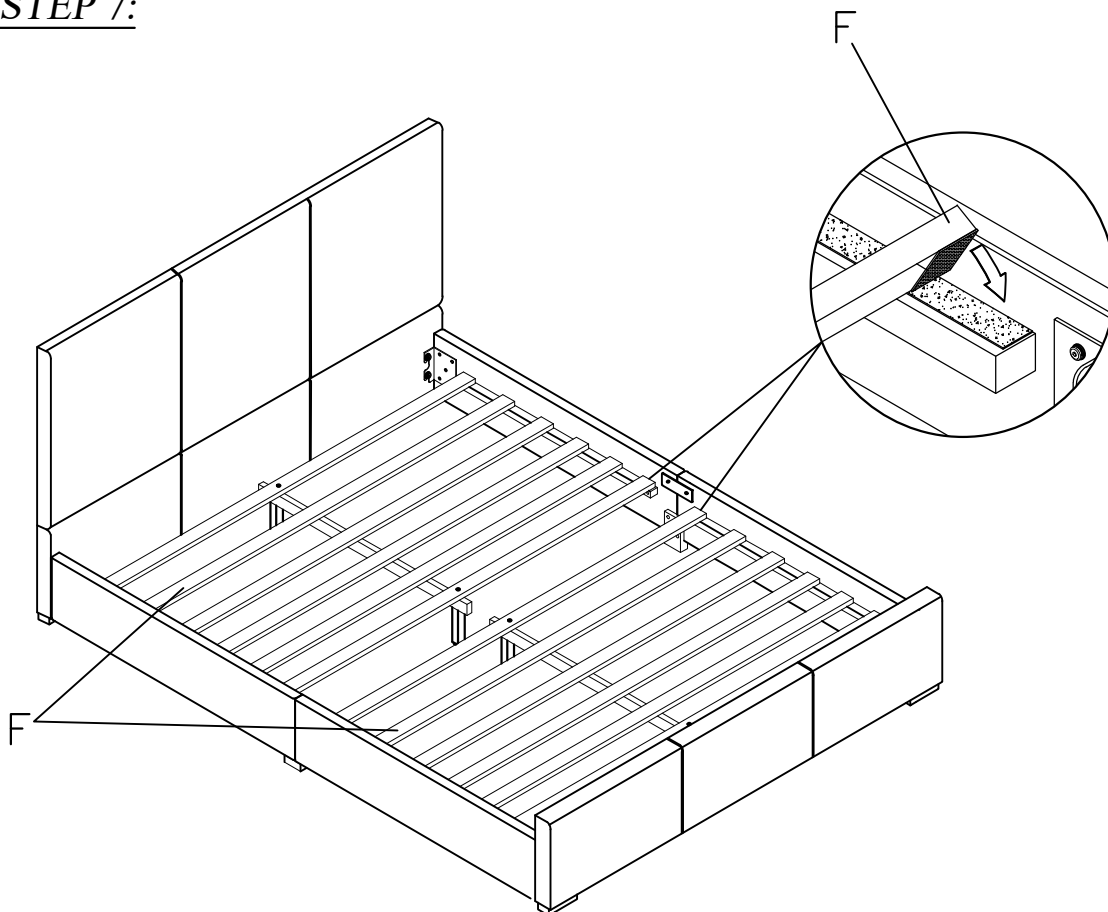


# TWIN-FULL-QUEEN-KING

## STEP 6:



## STEP 7:



TWIN—FULL—QUEEN—KING

