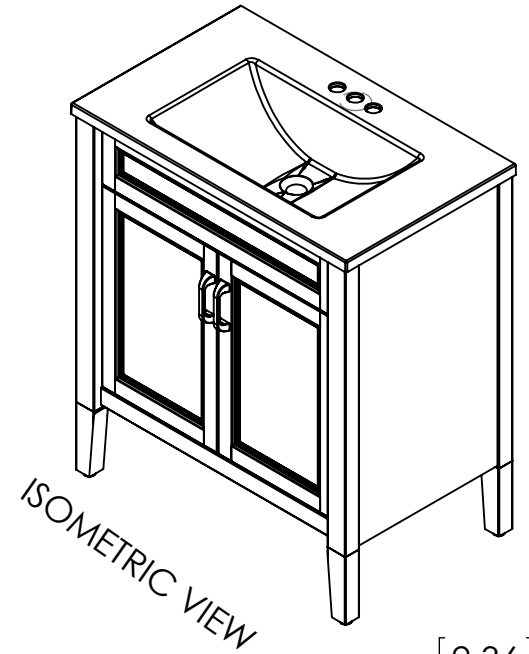
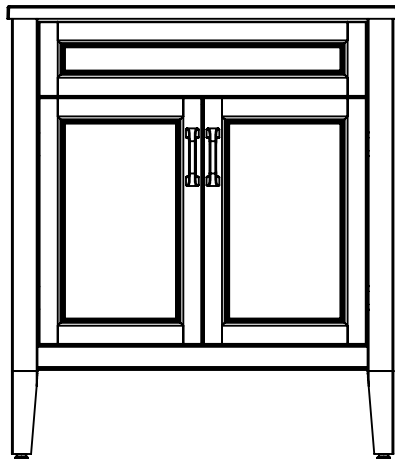


[30.50]  
774.70

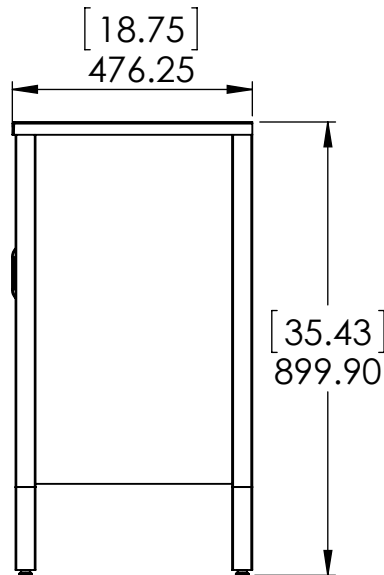
TOP VIEW



ISOMETRIC VIEW



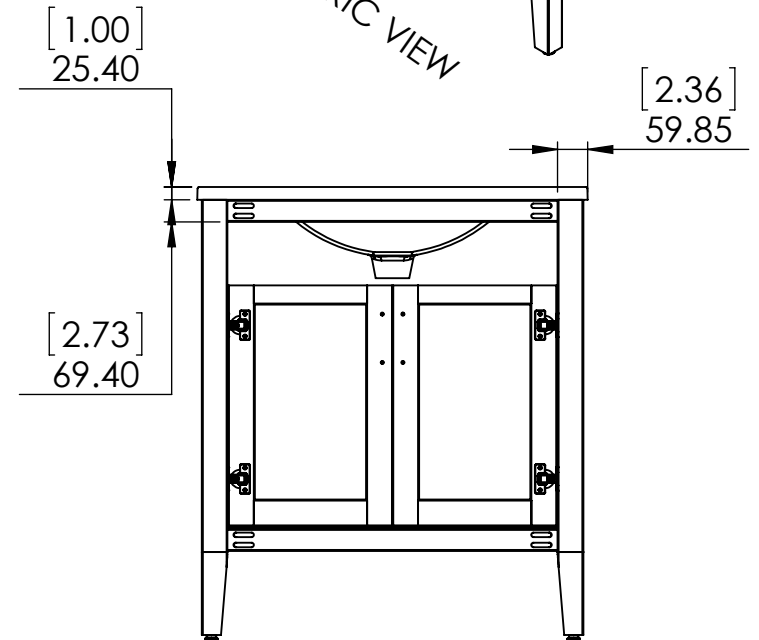
FRONT VIEW



[18.75]  
476.25

[35.43]  
899.90

SIDE VIEW



[1.00]  
25.40

[2.73]  
69.40

[2.36]  
59.85

BACK VIEW

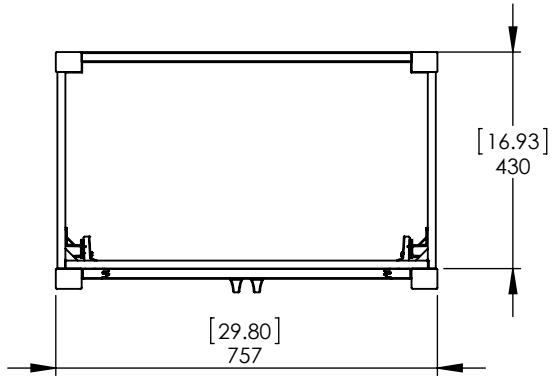
NAME:

DWR	JGR	02/21/24
REV	ING	
APR	R&D	

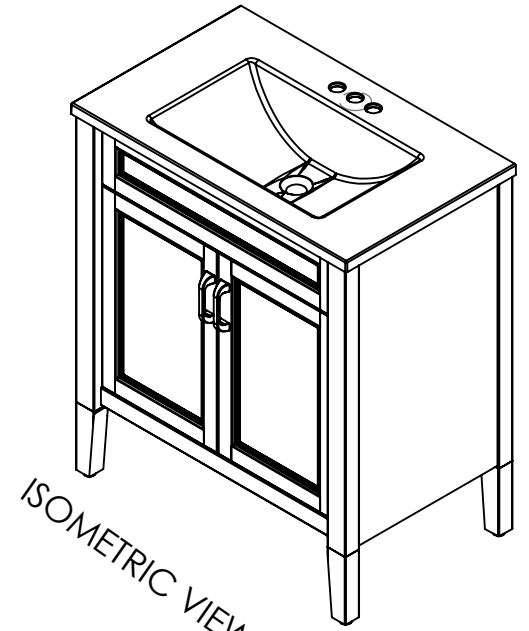
MATERIAL:

----

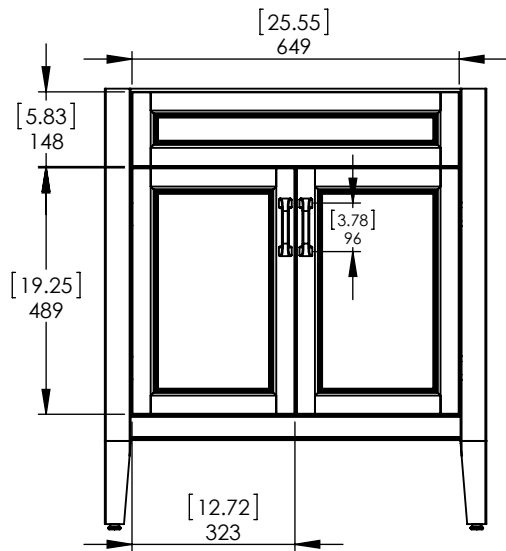
ONLY FOR REFERENCE



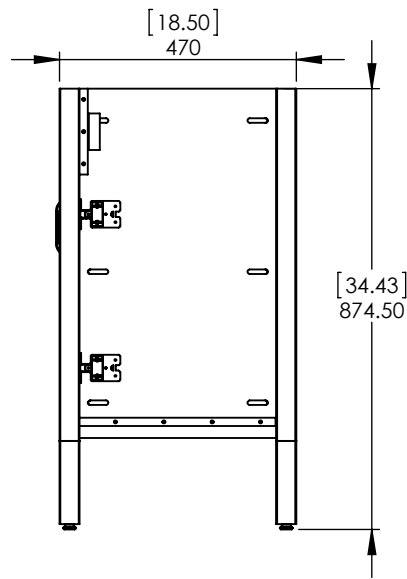
TOP VIEW



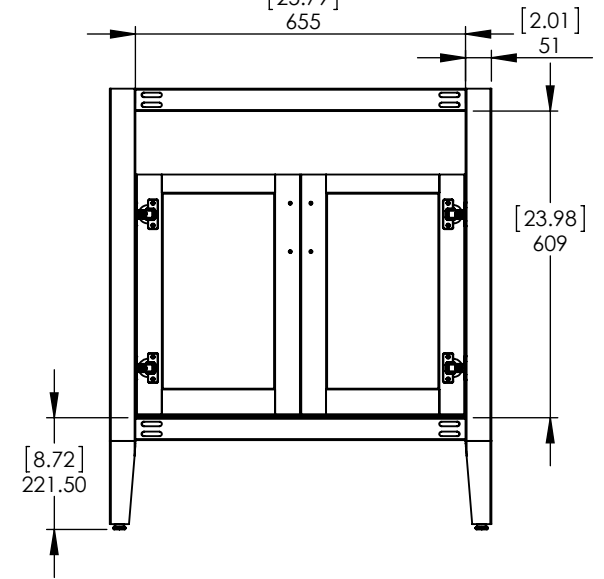
ISOMETRIC VIEW



FRONT VIEW



SIDE VIEW



BACK VIEW

DWR	JGR	02/21/24
REV	ING	
APR	R&D	

IT	
NAME:	
MATERIAL:	----

ITEM TYPE	ITEM ID	ITEM DESCRIPTION	DRAWING STATUS
		Top, Alpine 30.50x18.75 4in	R&D

REV	DESCRIPTION	DATE	APPROVAL
0	RELEASED	05/09/23	E. SANDOVAL

