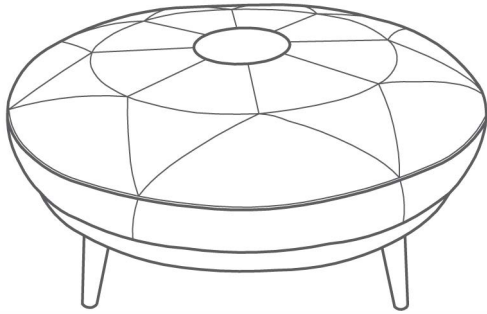


# ASSEMBLY INSTRUCTIONS

## *Thank you for purchasing our product!*

Please refer and use this assembly instruction to assemble the product. Contact our customer service department in case there are any missing or damaged parts or hardware. Replacement parts are normally shipped within 2 or 3 days.



**We appreciate your business!**

### **ASSEMBLY REQUIREMENT**

2-Person Assembly  
15 Minutes Assembly Time (Approximate)  
Tools Required: **Allen Wrench (provided)**



### **ASSEMBLY PREPARATION**

1. Remove all packaging materials, staples and packing straps from the carton.
2. Refer to Parts List and Hardware List and ensure they are complete before you start assembling.
3. Place all components on a clean, flat and soft surface (e.g. carpet or rug) to prevent parts from getting scratched.

### **SAFETY PRECAUTION**

1. **KEEP ALL HARDWARE PARTS OUT OF REACH OF CHILDREN.**
2. **DISPOSE PLASTIC PACKAGING MATERIAL IMMEDIATELY TO AVOID ANY RISK OF SUFFOCATION TO CHILDREN AND ANIMALS.**

### **TIPS FOR ASSEMBLY**

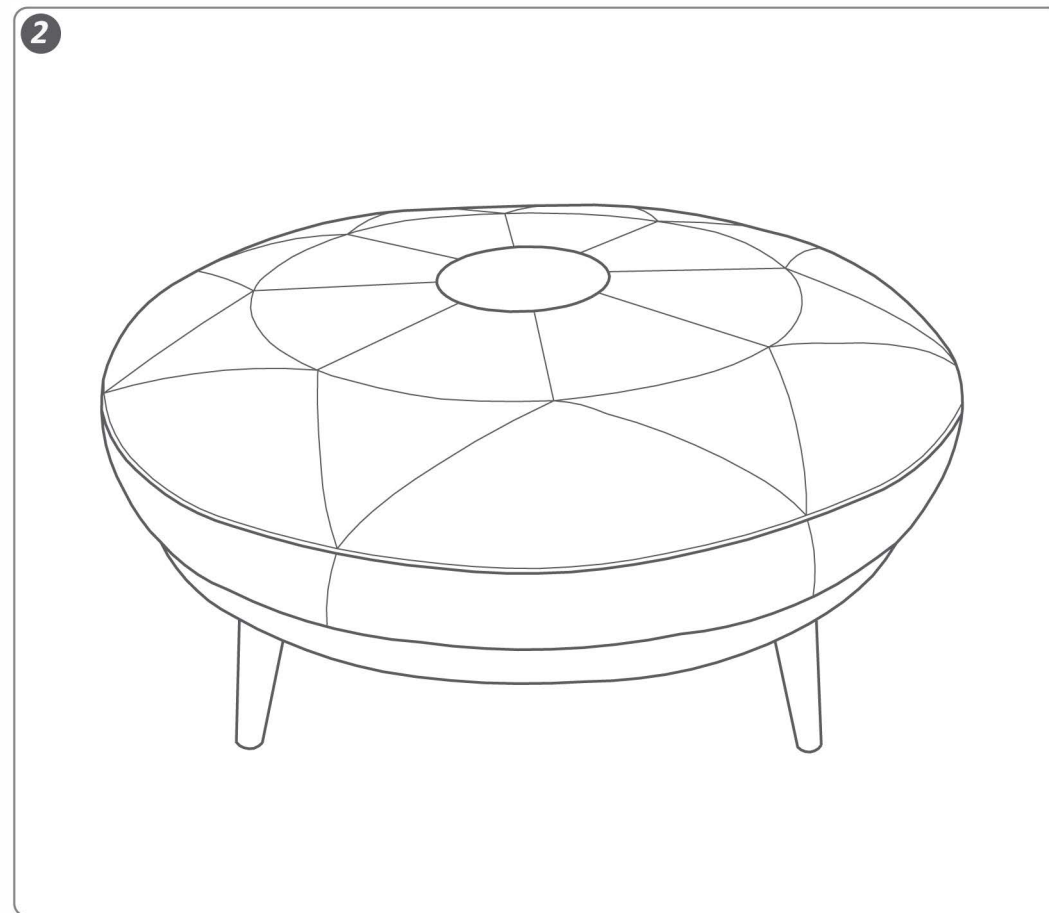
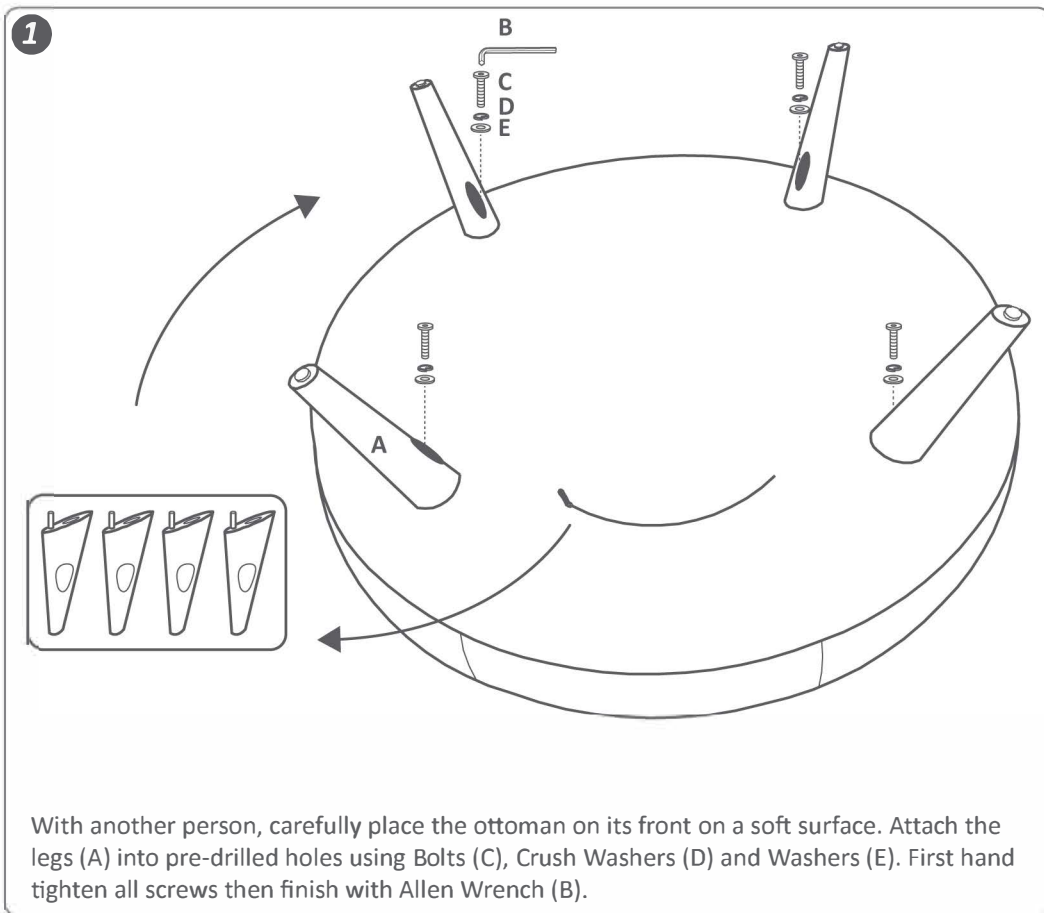
1. Allow ample room for assembly and in close proximity to where product will be placed.
2. Assemble the product on a surface that does not scratch or damage the exterior and finish of the furniture.
3. Please check all of the parts and quantities are included before assembly. Contact customer service for missing parts.
4. Identify all of the parts, hardware and quantities required for each step.
5. During assembly, do not over-tighten any fittings as this may cause damage.
6. **DO NOT USE POWER TOOLS TO ASSEMBLE THIS PRODUCT.**
7. Always place the product on a flat surface.
8. Do not sit or stand on the partially assembled product, only use the product for which it is intended.

### **CARE AND USE**

Regular Maintenance Is Important To Keep Your Leather Looking Its Best.

- Recommended for indoor use only.
- Keep product away from all heat sources and direct sunlight.
- Gently dust with a soft cloth to keep it free from dirt.
- Noticeable soiling can be wiped with a clean, wrung out cloth. Do not soak or vigorously rub the leather and always wipe excess moisture with a dry cloth.
- Do not use chemical cleaners or polishes.
- For heavy soiling, please consult a leather specialist and professional cleaner.
- New, unwashed denim jeans may transfer dye onto the leather, leaving permanent stains.
- Puff all loose cushions regularly to maintain shape.
- Ensure the feet are tightly fastened. Try not to drag them to avoid damage to the furniture or your floor.

# ASSEMBLY INSTRUCTIONS



- RECOMMENDED FOR INDOOR USE ONLY.
- DO NOT USE OTTOMAN AS STEP STOOL OR LADDER.
- DO NOT USE OTTOMAN UNLESS ALL BOLTS AND SCREWS ARE TIGHT.
- AT LEAST EVERY SIX MONTHS CHECK ALL BOLTS AND SCREWS TO BE SURE THEY ARE TIGHT.
- IF ANY PARTS ARE MISSING, BROKEN, DAMAGED OR WORN, STOP USING THE PRODUCT UNTIL REPAIRS ARE MADE WITH FACTORY AUTHORIZED PARTS.
- FAILURE TO FOLLOW THESE WARNINGS CAN RESULT IN SERIOUS INJURY.

<b>PARTS CHECKLIST</b>				
A	B	C	D	E
4 Leg	Allen Wrench	4 Bolts	4 Crush Washers	4 Washers