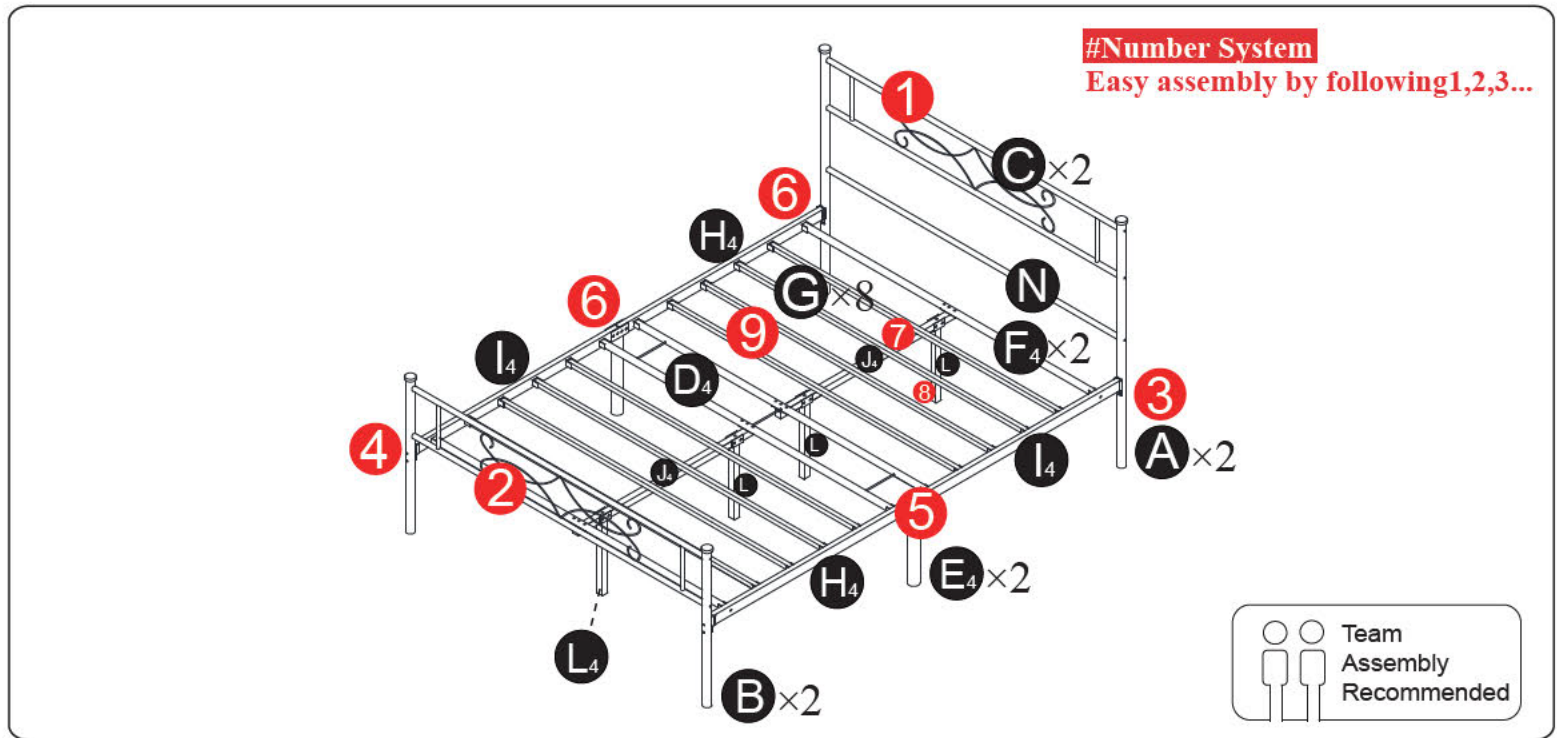
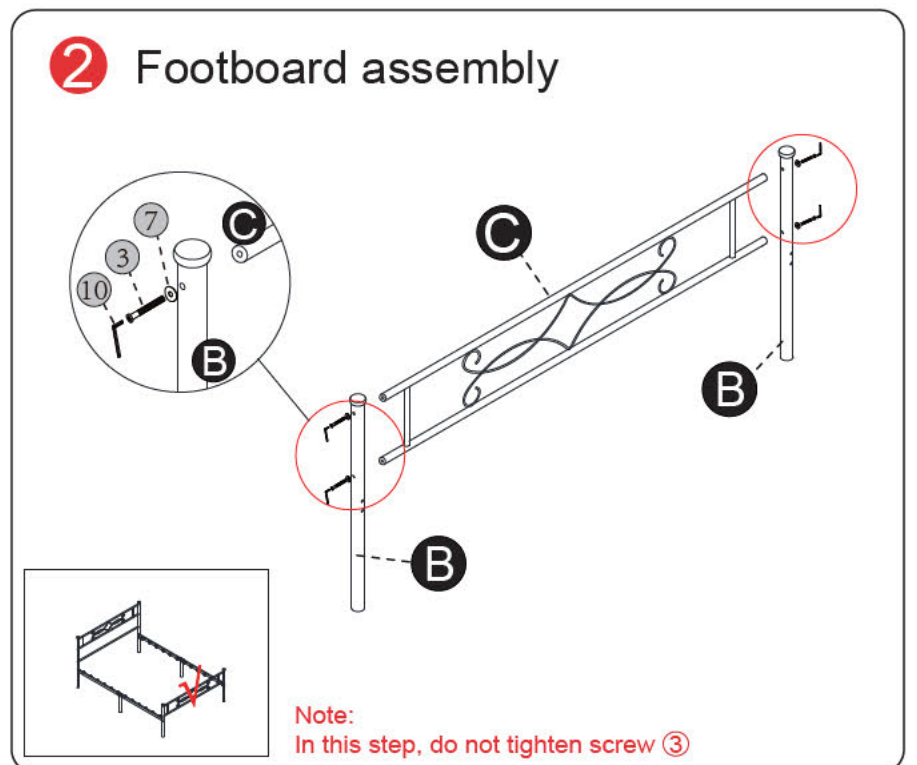
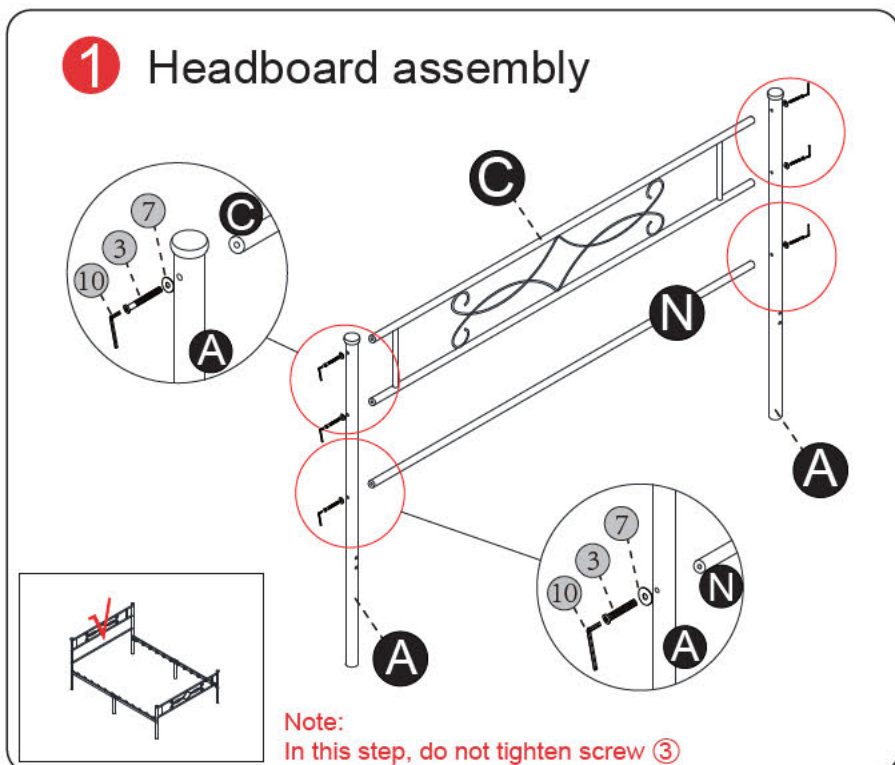


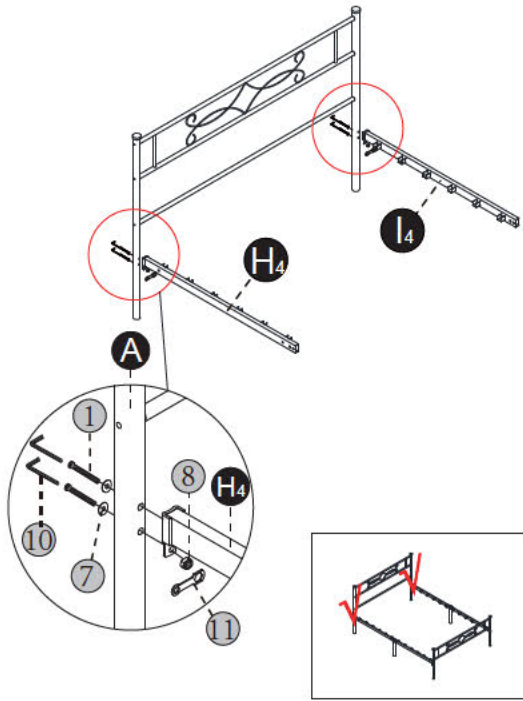
Bed Frame Installation Manual



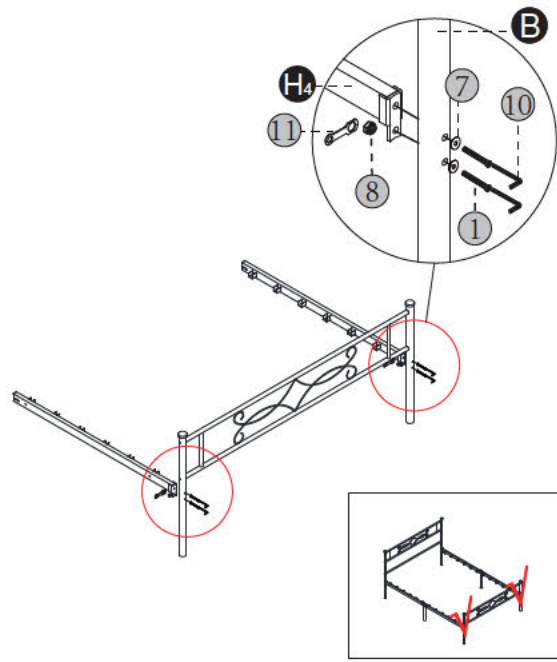
Components		Screws & Tools		
	A x2	①	M8x45mm	x8
	B x2	②	M8x35mm	x8
	C x2	③	M6x60mm	x10
	D x1	④	M6x40mm	x20
	E x2	⑤	M6x30mm	x12
	F x2	⑥	M6x15mm	x4
	G x8	⑦		x18
	H x2	⑧	M8	x12
	I x2	⑨	M6	x16
	J x2	⑩	M5	x1
	L x4	⑪	M13/M10	x1
	N x1			



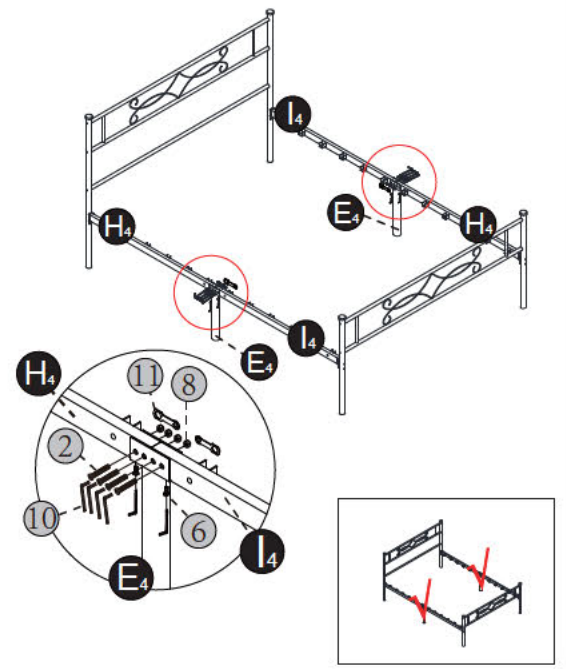
3 Connect **H₄** & **I₄** to headboard



4 Connect **H₄** & **I₄** to footboard

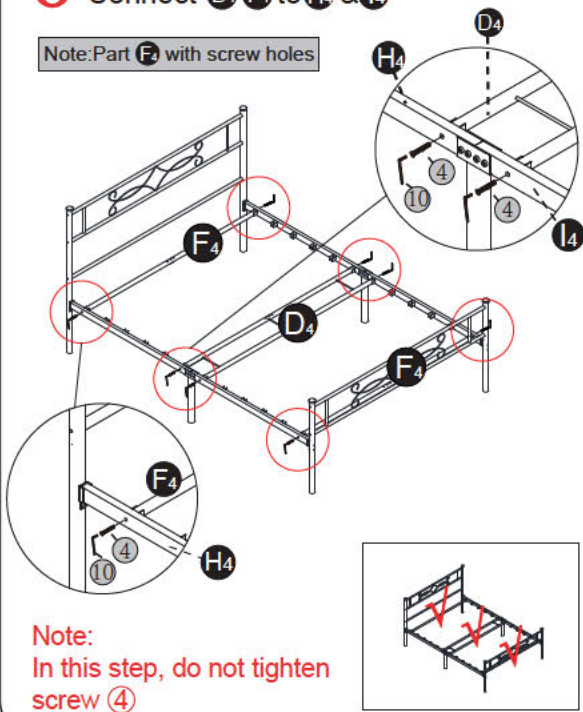


5 Connect **E₄** to **H₄** & **I₄**

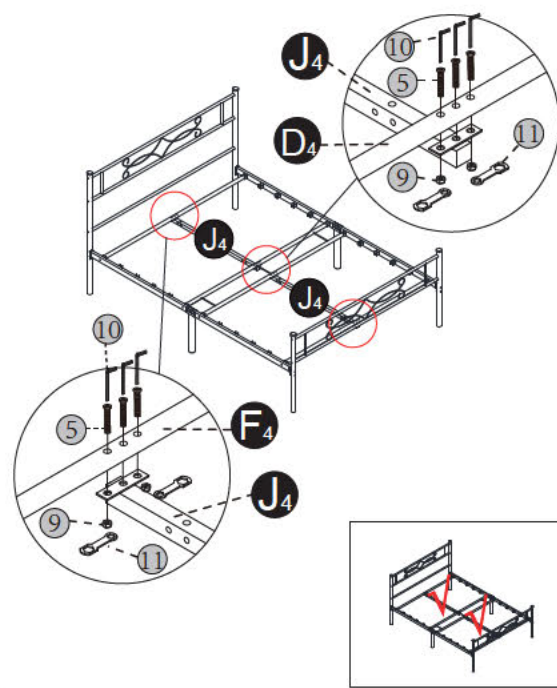


6 Connect **D₄** **F₄** to **H₄** & **I₄**

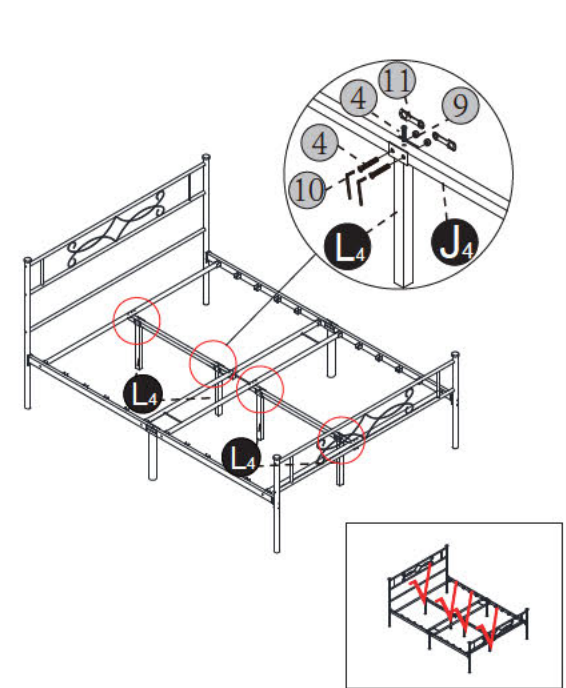
Note: Part **F₄** with screw holes



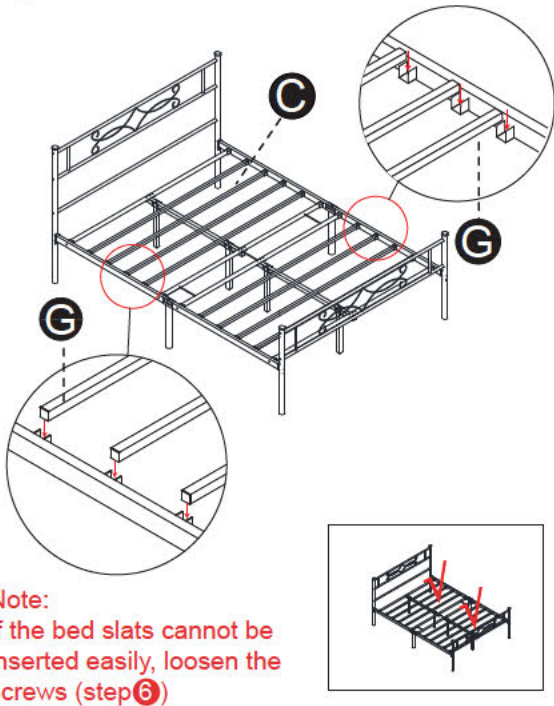
7 Connect **J₄** to **D₄** & **F₄**



8 Connect **L₄** to **J₄**



9 Assemble bed slats



10 Check and tighten all screws

