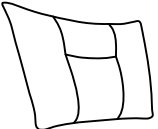
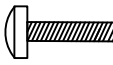
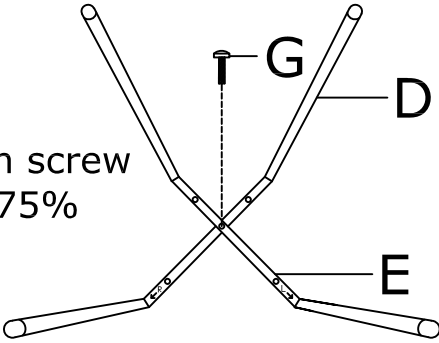
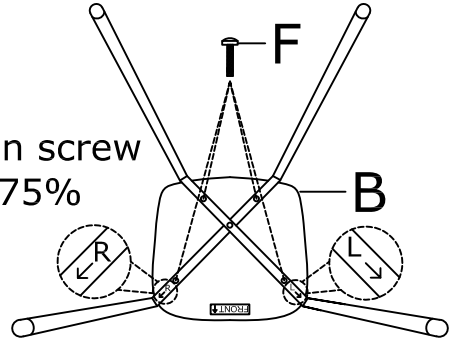


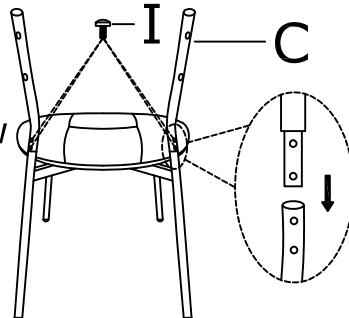
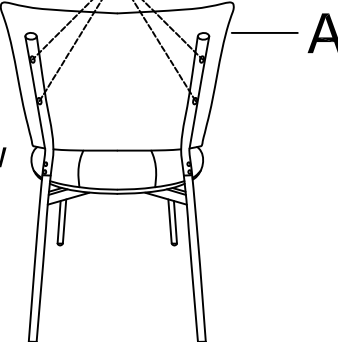
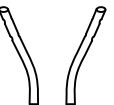
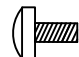
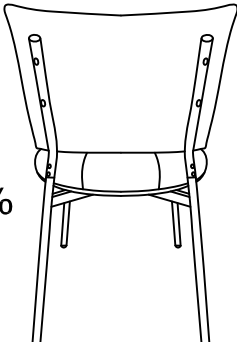
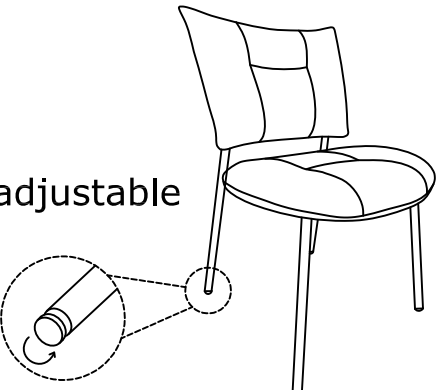
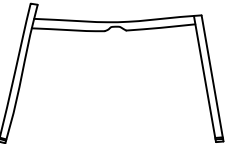

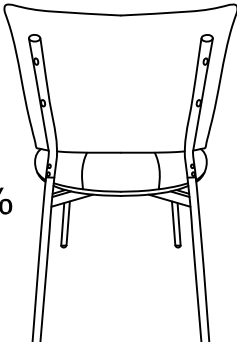
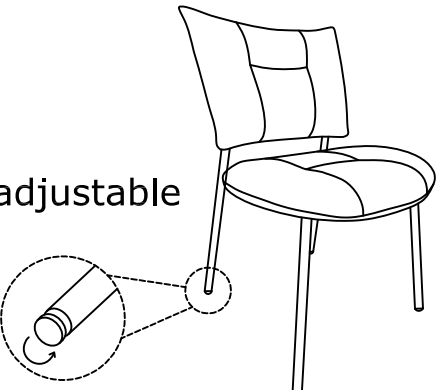
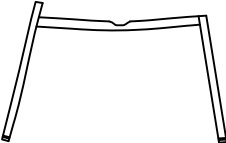
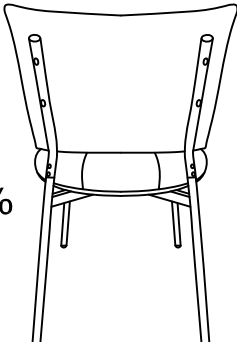
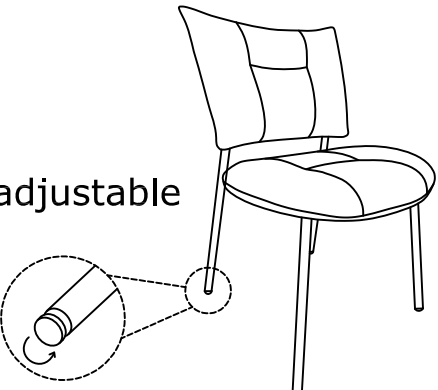

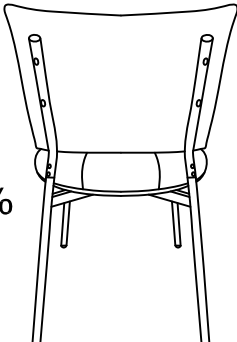
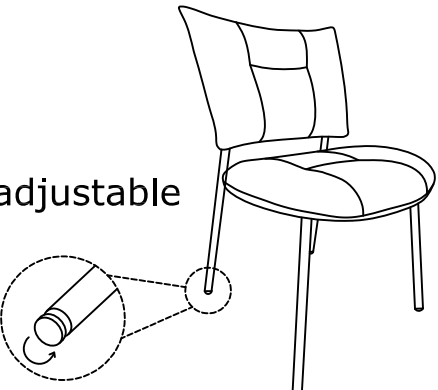


# HKKD-FY ASSEMBLY INSTRUCTION

<p><b>Ax1</b></p> 	<p><b>Gx1</b></p>  M6X25MM	<p><b>STEP ①</b></p>  <p>Tighten screw "G" in 75%</p>	<p><b>STEP ②</b></p>  <p>Tighten screw "F" in 75%</p>
<p><b>Bx1</b></p> 	<p><b>Hx4</b></p>  M6X35MM	<p><b>STEP ③</b></p>  <p>Tighten screw "I" in 75%</p>	<p><b>STEP ④</b></p>  <p>Tighten screw "H" in 75%</p>
<p><b>Cx2</b></p> 	<p><b>Ix4</b></p>  M6X14MM	<p><b>STEP ⑤</b></p>  <p>Tighten all screws in 100%</p>	<p><b>STEP ⑥</b></p>  <p>Feet adjustable</p>
<p><b>Dx1</b></p> 	<p><b>Jx1</b></p> 	<p><b>STEP ⑦</b></p>  <p>Tighten all screws in 100%</p>	<p><b>STEP ⑧</b></p>  <p>Feet adjustable</p>
<p><b>Ex1</b></p> 		<p><b>STEP ⑨</b></p>  <p>Tighten all screws in 100%</p>	<p><b>STEP ⑩</b></p>  <p>Feet adjustable</p>
<p><b>Fx4</b></p>  M6X45MM		<p><b>STEP ⑪</b></p>  <p>Tighten all screws in 100%</p>	<p><b>STEP ⑫</b></p>  <p>Feet adjustable</p>