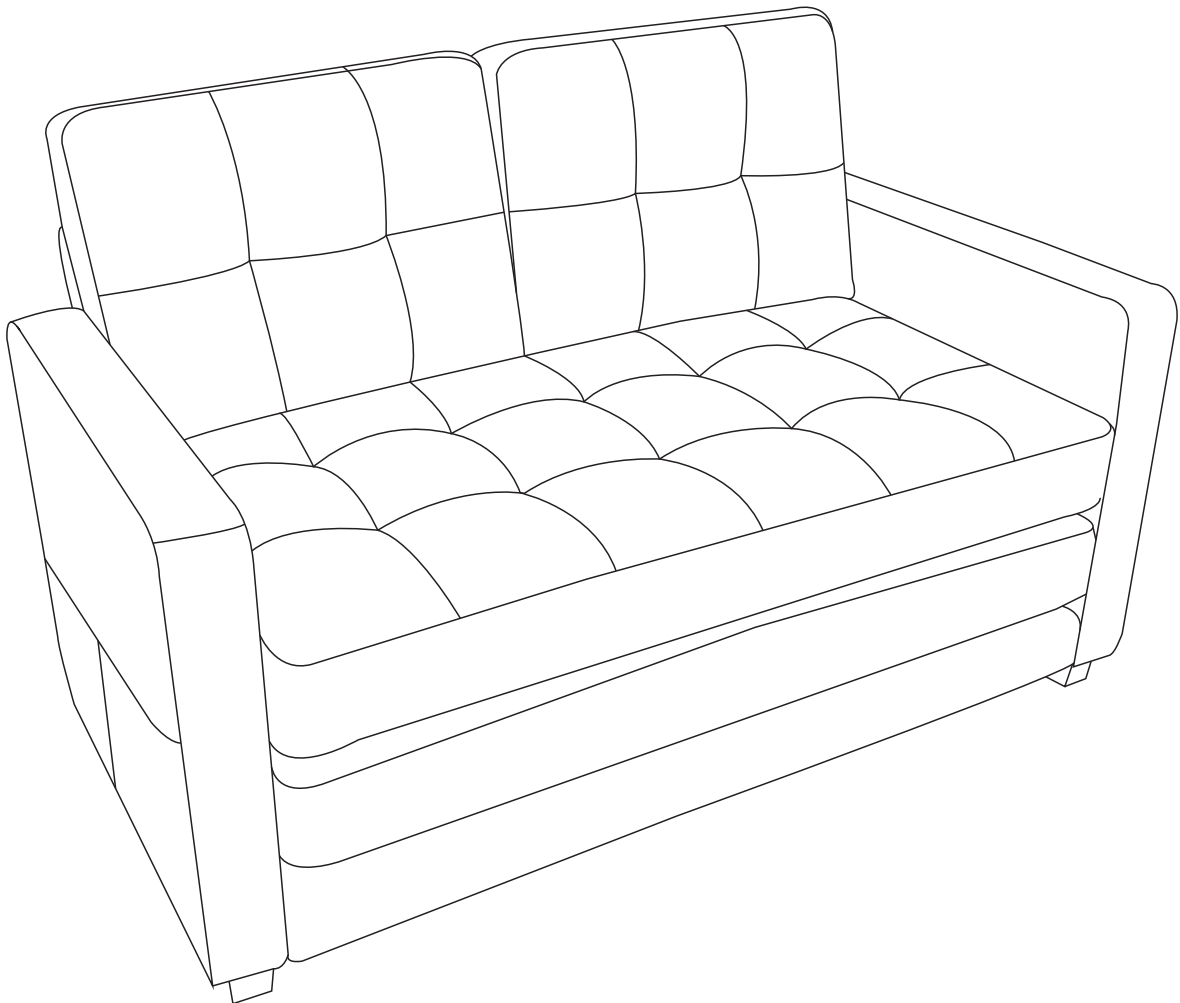


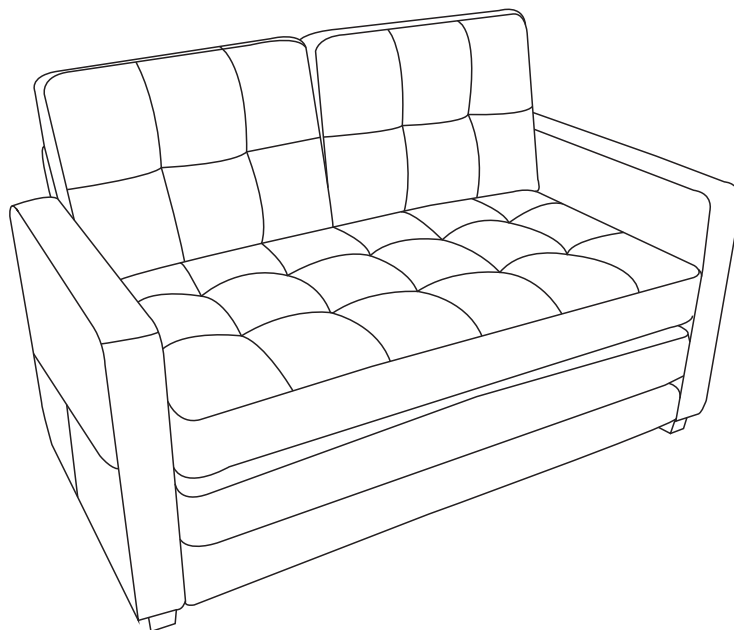
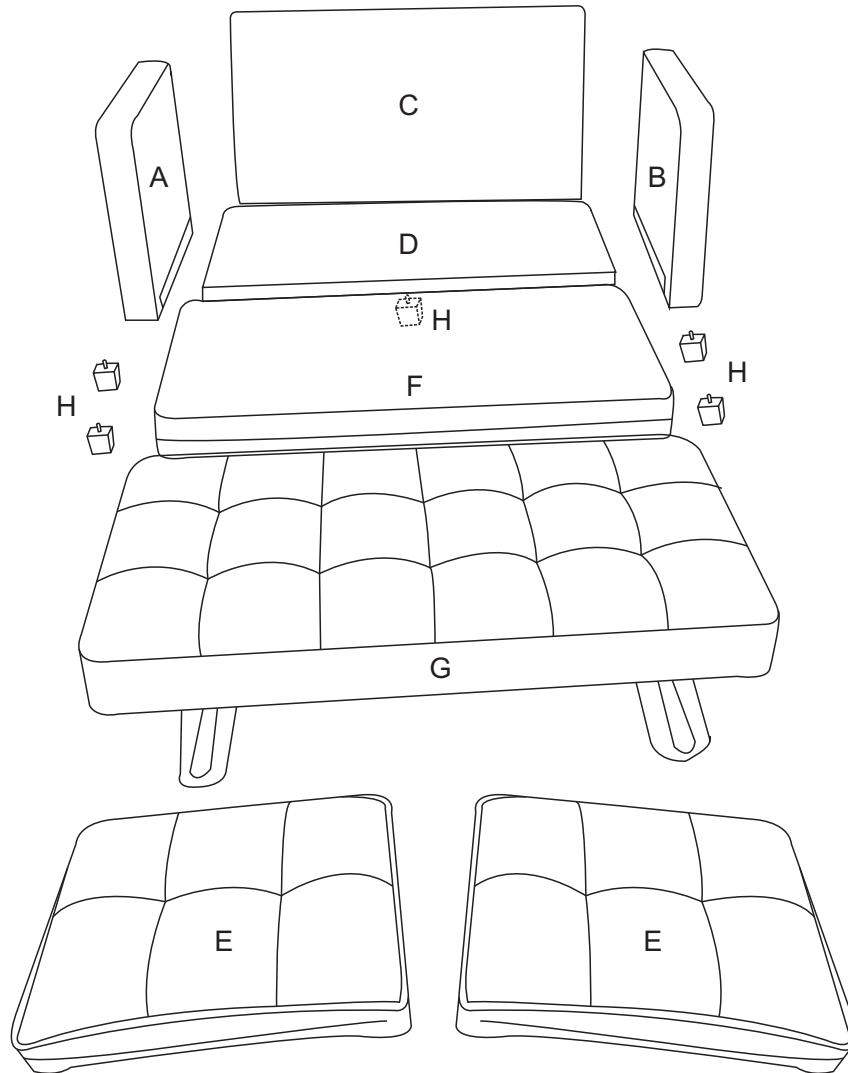
Assembly Instruction

Importance Notice:







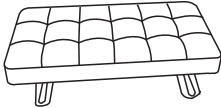

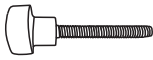





Open the vacuum packaging **last** until you confirmed the **frame suits your space**, and the bottom **seating part D suits your cushion expectation**. Otherwise, please **don't** open them which will cause the item unreturnable.



Components

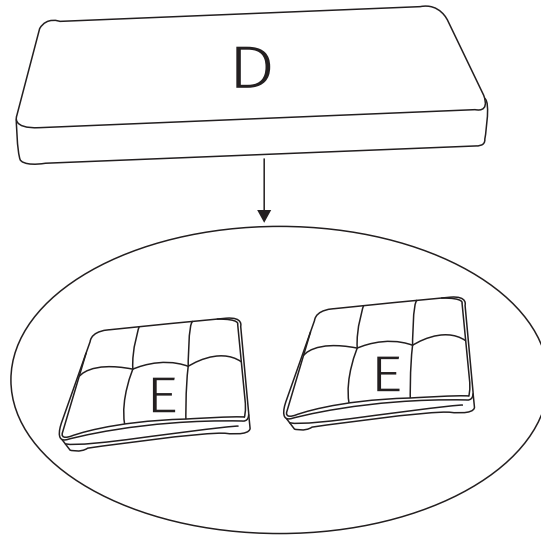


Please check the completeness of the parts in the following list,
should you find any missed parts, please reach out to us for the replacement

NO	PARTS	QTY	DESCRIPTION
A		1 PC	Left Arm-rest frame
B		1 PC	Right Arm-rest frame
C		1 PC	Back Frame
D		1 PC	Seat Base
E		2 PCS	Squeezed Backrest Cushion(open last) (Inside part D)
F		1 PC	Squeezed Second-Tier Seating Cushion (Open Last)
G		1 PC	Squeezed Top-Tier Seating Cushion (Open Last)
H		5 PCS	Legs
I		4 PCS+1	M8*50mm Plum Flower Screw
J		6 PCS+2	M8*60mm Screw
K		5 PCS+1	M8*47mm Gasket
L		6 PCS+2	M8*12 Spring Washer
M		6 PCS+2	M8*22 Flat Washer
N		1 PC	Allen Key

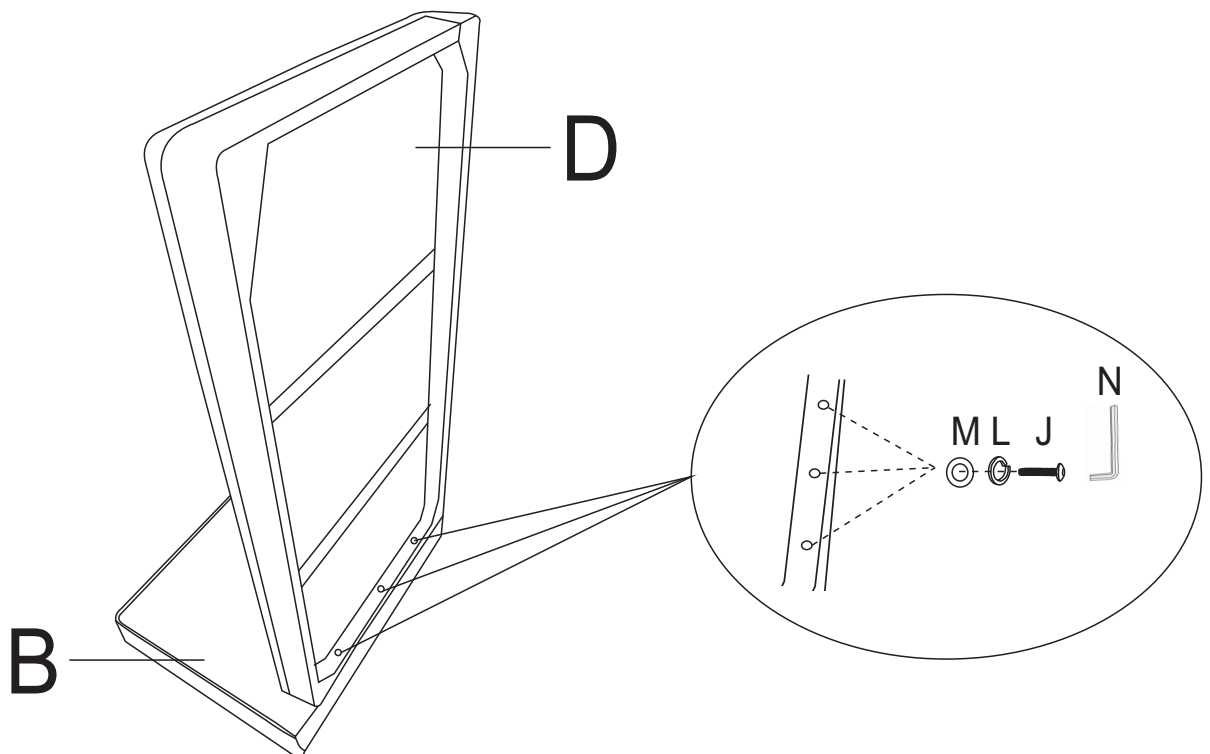
STEP 1

Open the Seat Base D and take out the Squeezed Backrest Cushion E



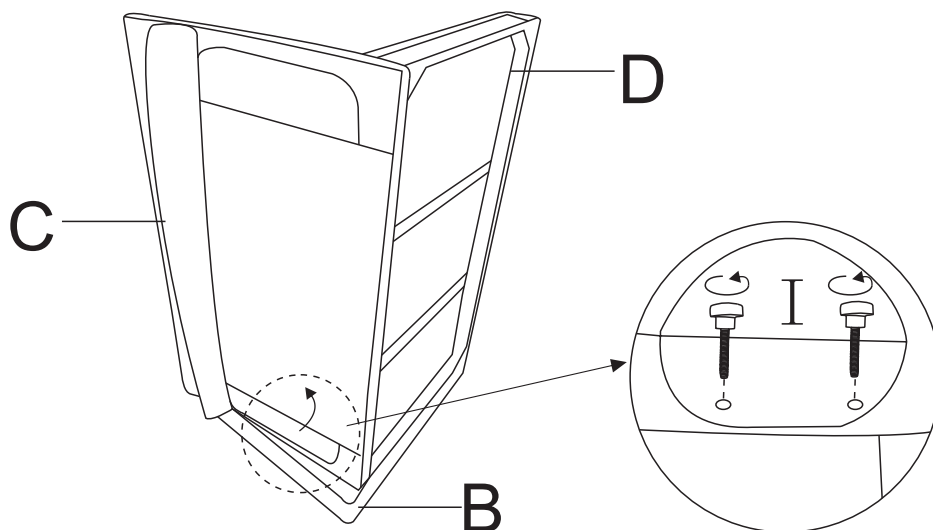
STEP 2

1. connecting seating part D with armrest B
2. cross spring washer L, then flat washer M into screw J to tighten the connection between D and B



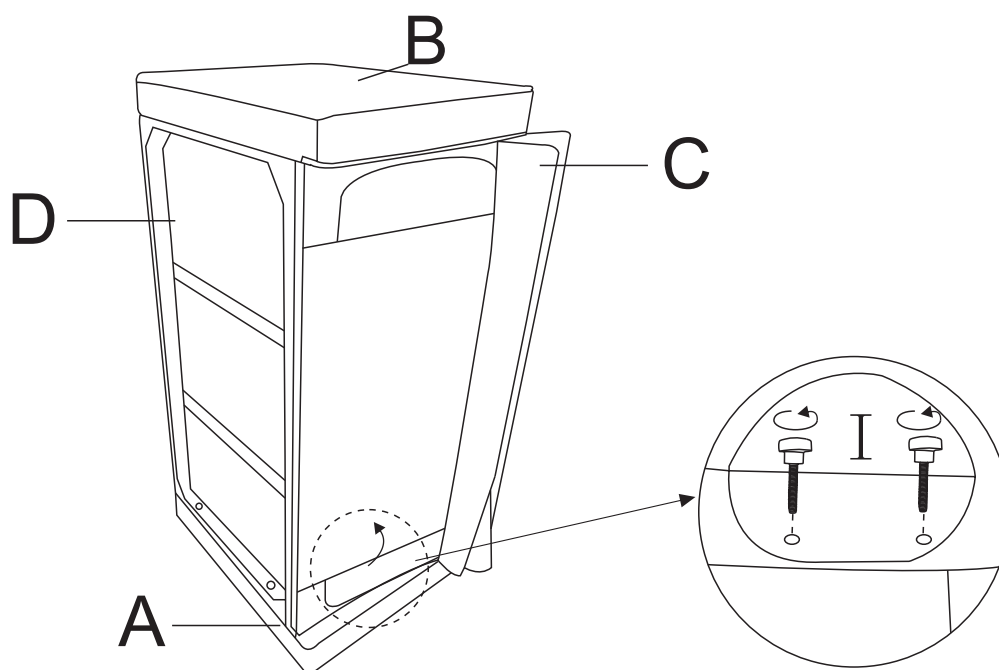
STEP 3

Open the zipper of backframe C,
Use screw I to tighten C and B



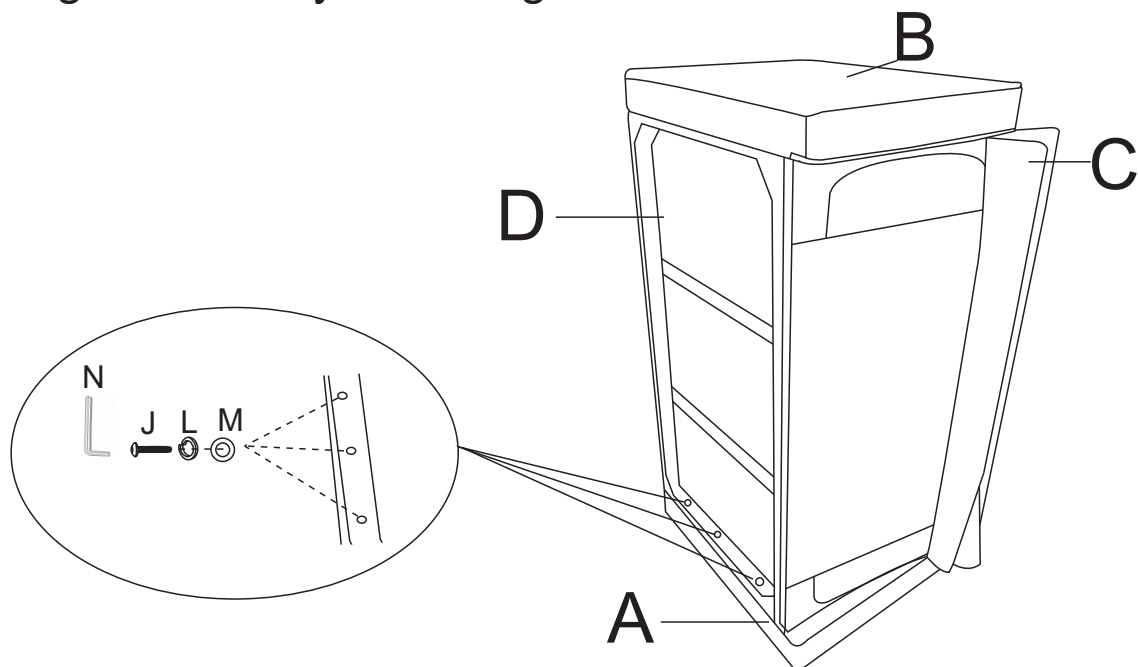
STEP 4

Open the zipper of backframe C,
Use screw I to tighten C and A



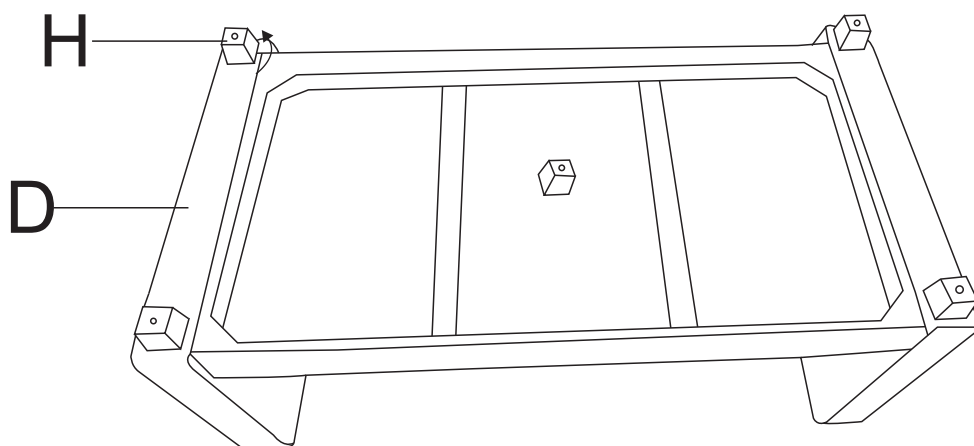
STEP 5

Connecting armrest A with seating base
Using screw J by crossing L and M



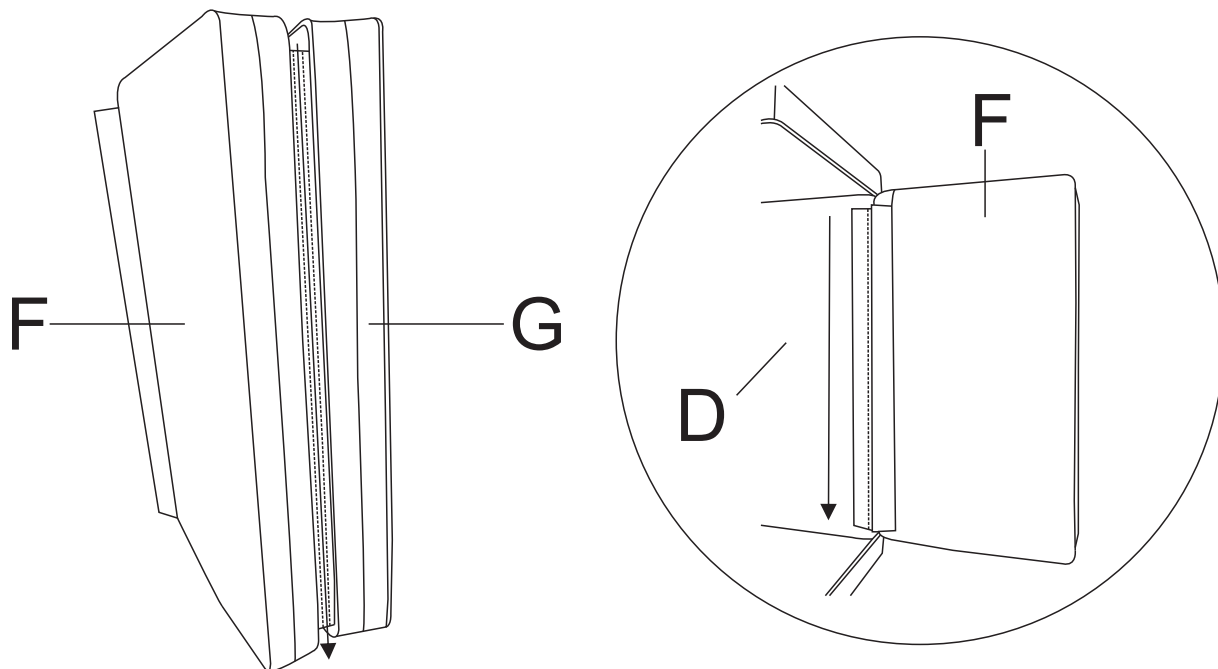
STEP 6

Having legs assembled using Gasket K

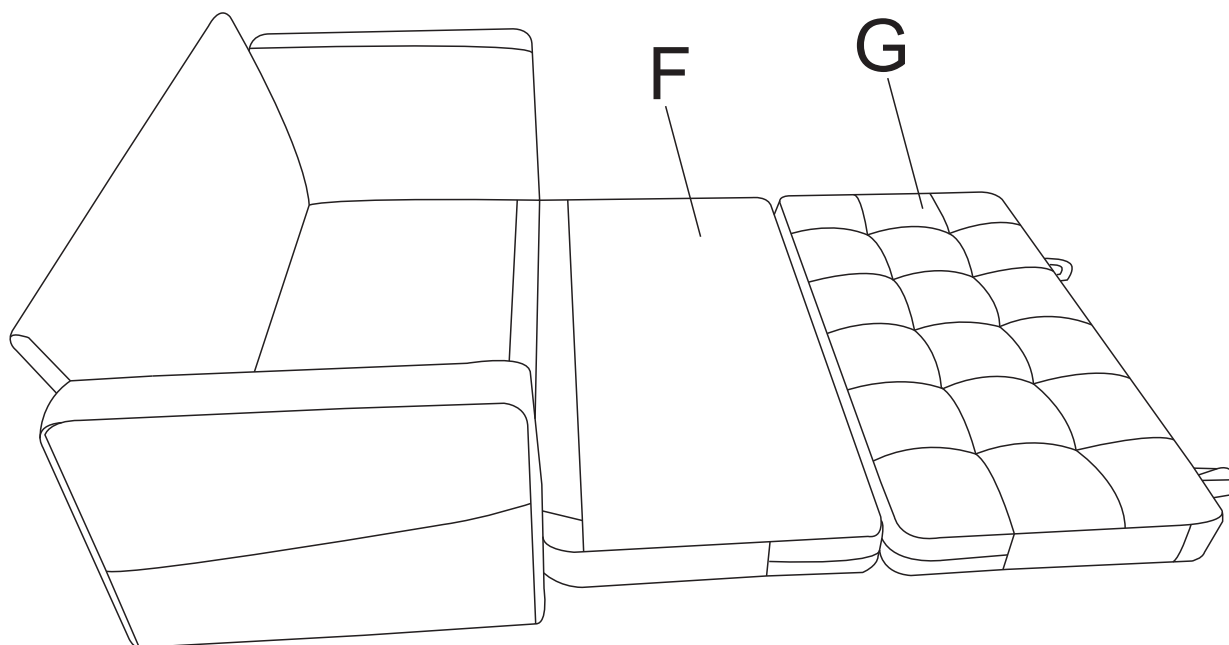


STEP 7

If you confirmed the sofa frame fits your space and have a good feeling on seating Part D, then just go ahead to open the vacuum packages for Part F and G

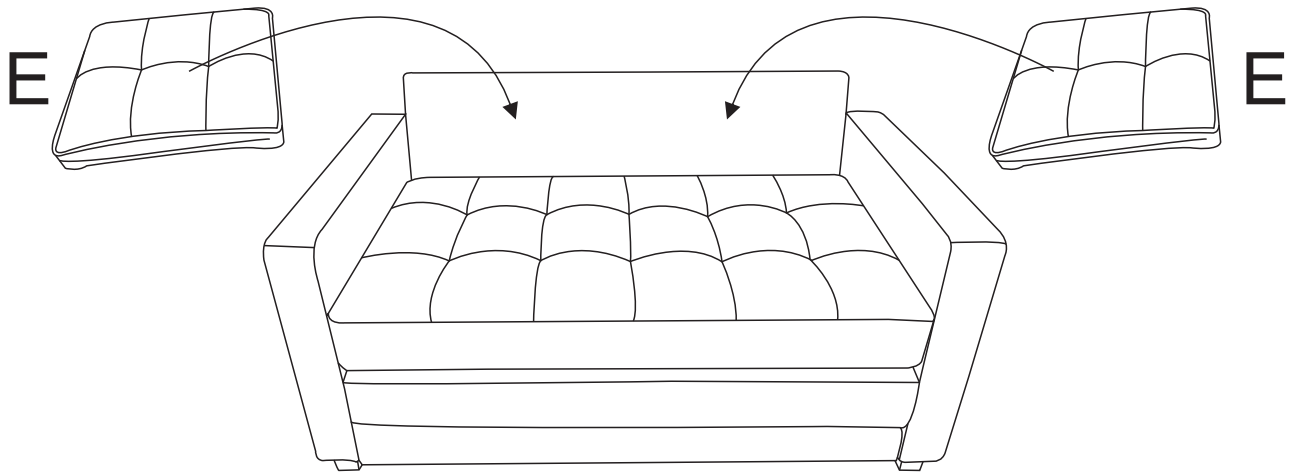


STEP 8

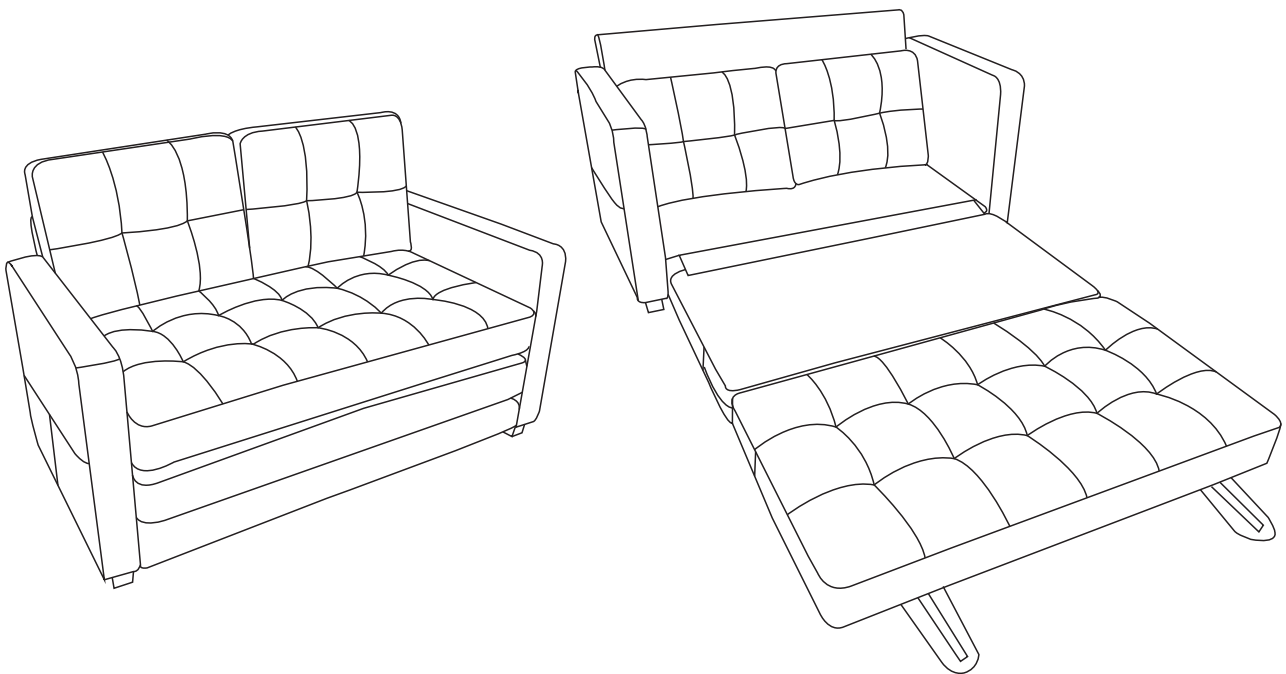


STEP 9

Having backrests part E placed

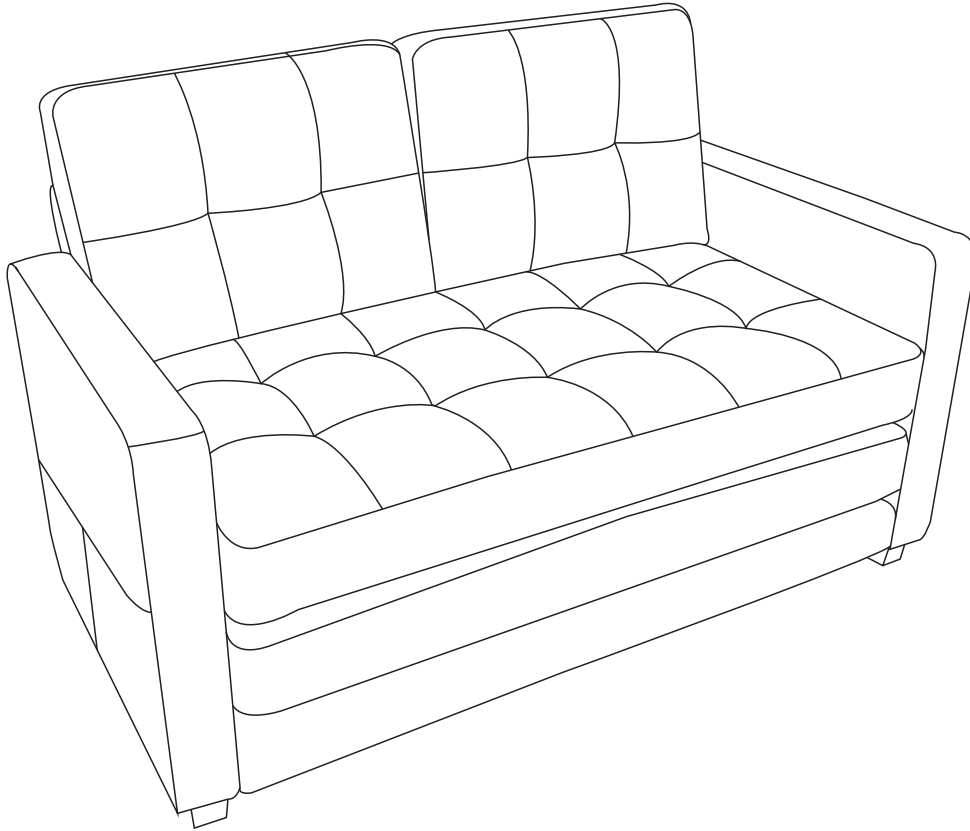


STEP 10



STEP 11

Well done!



Need Supports?

My dear customer, should you need any helps, please feel free to reach out to us anytime via Amazon or our aftersales support email. You're highly appreciated to offer us the pictures to check should you receive our chair with any damages. Thanks for your cooperation.

Take care and stay safe~