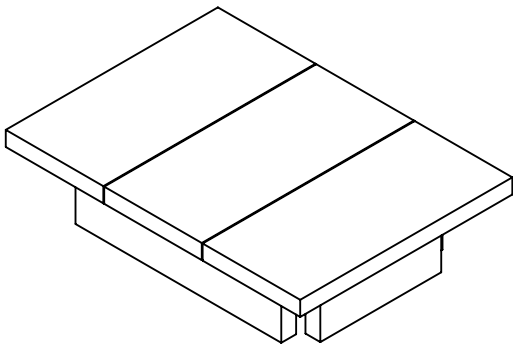


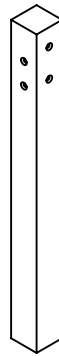
Ⓐx1



Ⓑx2



Ⓒx2



#2

PLEASE DO NOT OVER TIGHTEN SCREWS

2 1/2" /63mm



Ⓓx16

1

- Ⓐx1
- Ⓑx2
- Ⓒx2
- Ⓓx16

