

A x 2PCS



B x 4PCS



C x 2PCS



D x 4PCS



E x 4PCS



F1 x 4PCS



F2 x 4PCS



G x 4PCS



H x 1PC



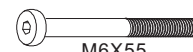
J x 4PCS



K x 32PCS



L x 20PCS



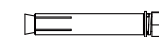
I x 4PCS



M x 24PCS



N x 28PCS



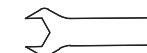
O x 8PCS



P x 8PCS

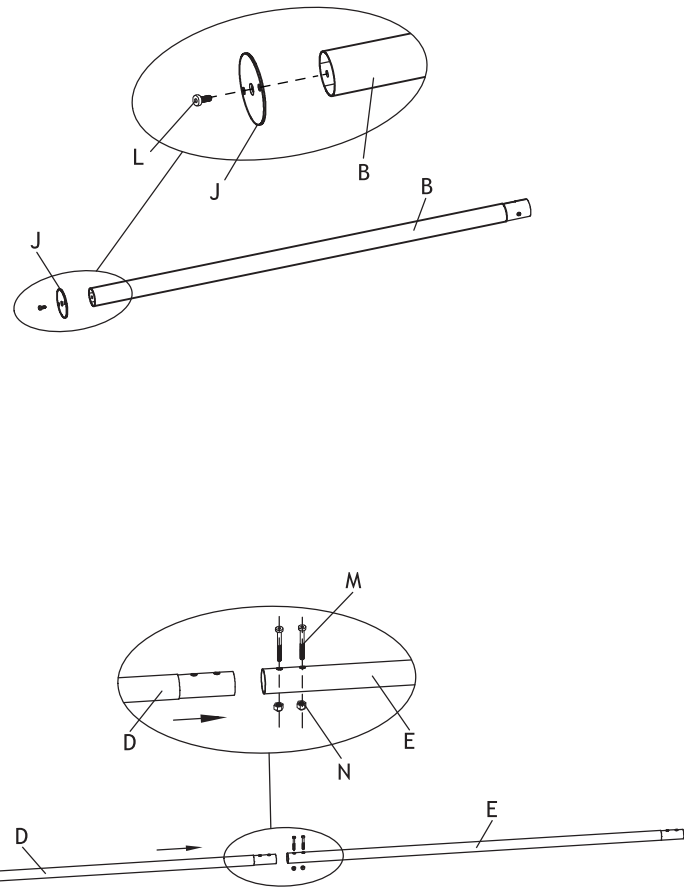


Q x 1PC

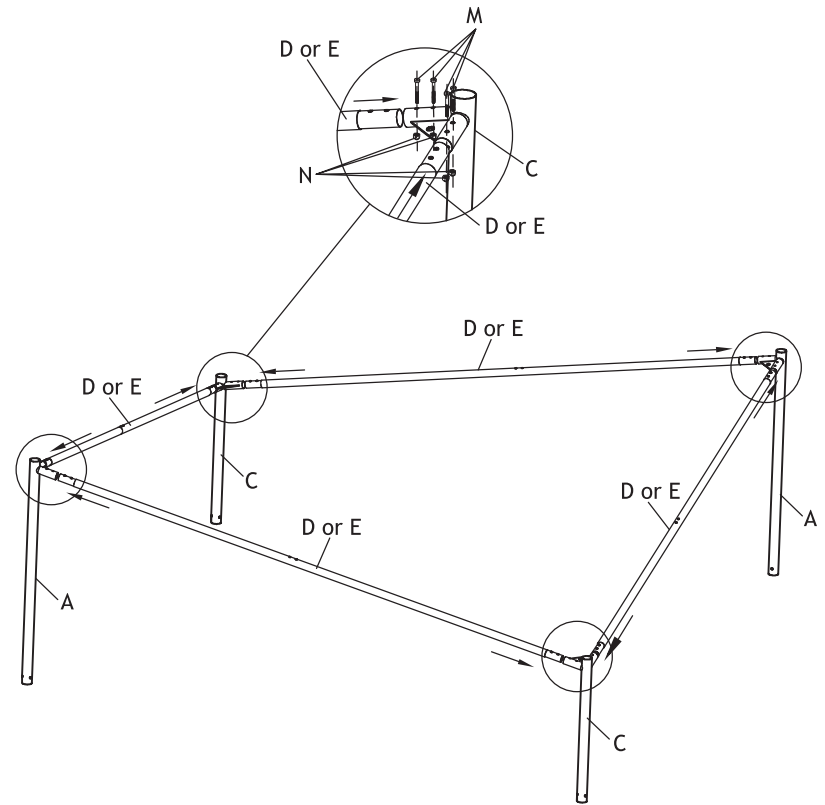


R x 1PC

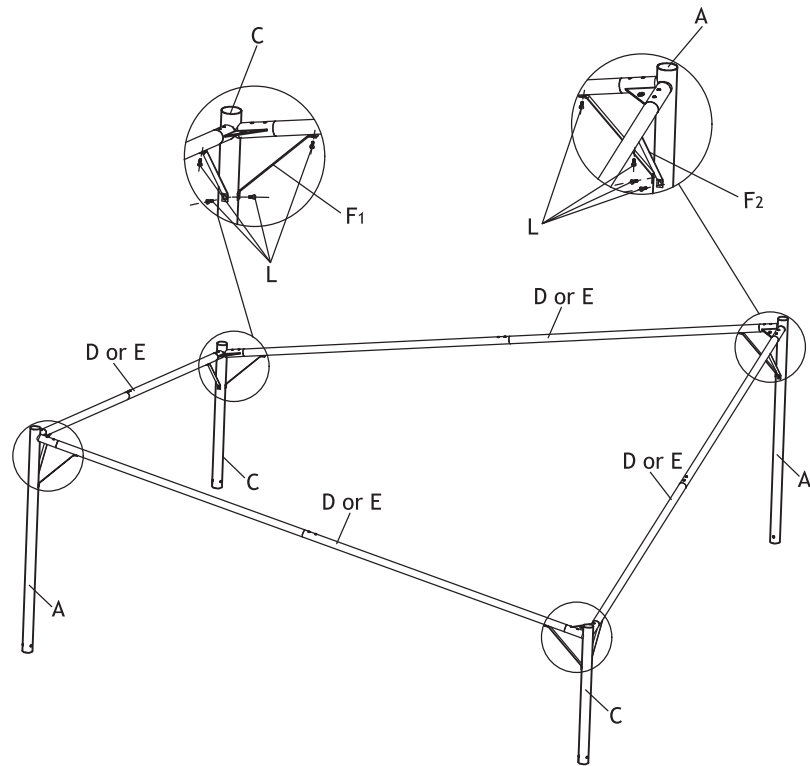
STEP 1



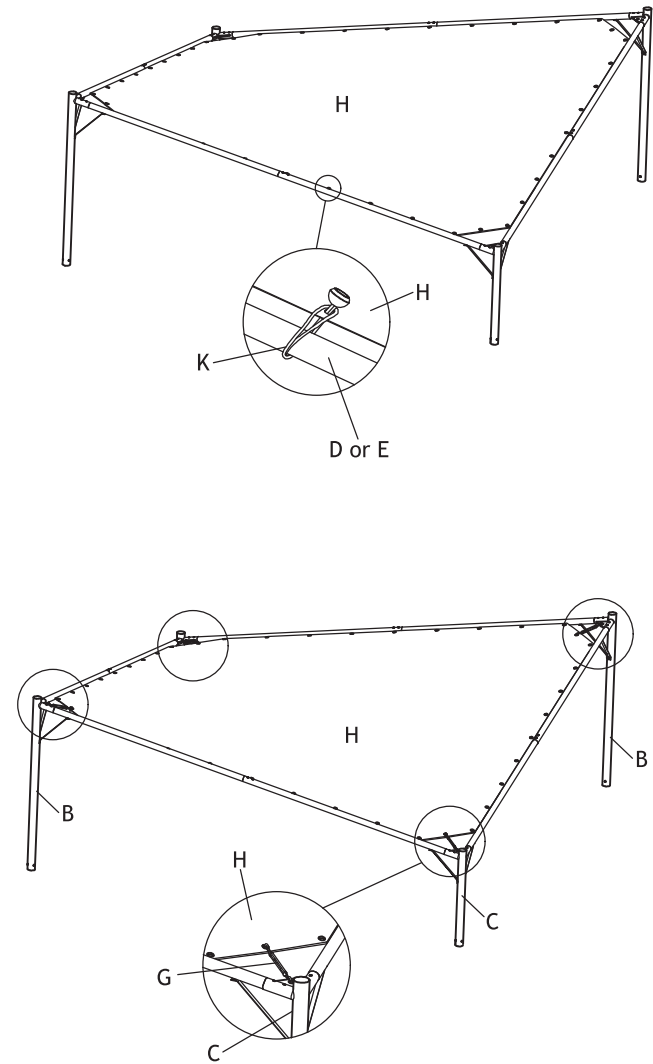
STEP 2



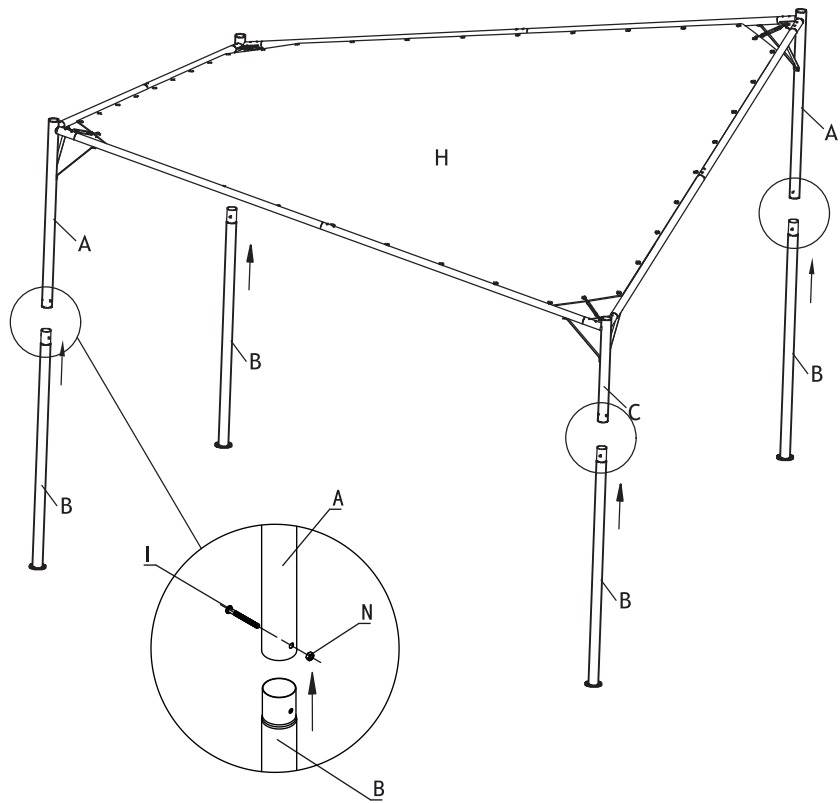
STEP 3



STEP 4



STEP 5



STEP 6

