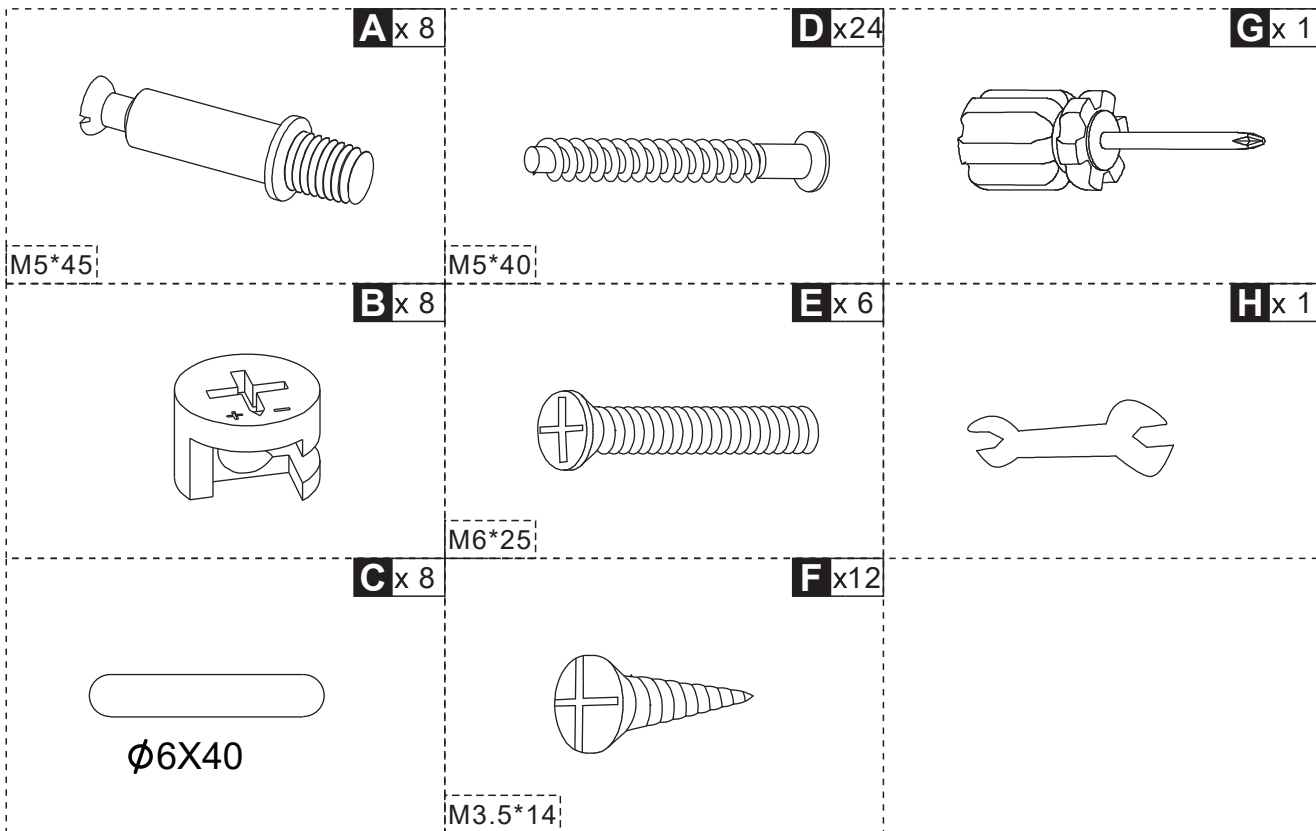
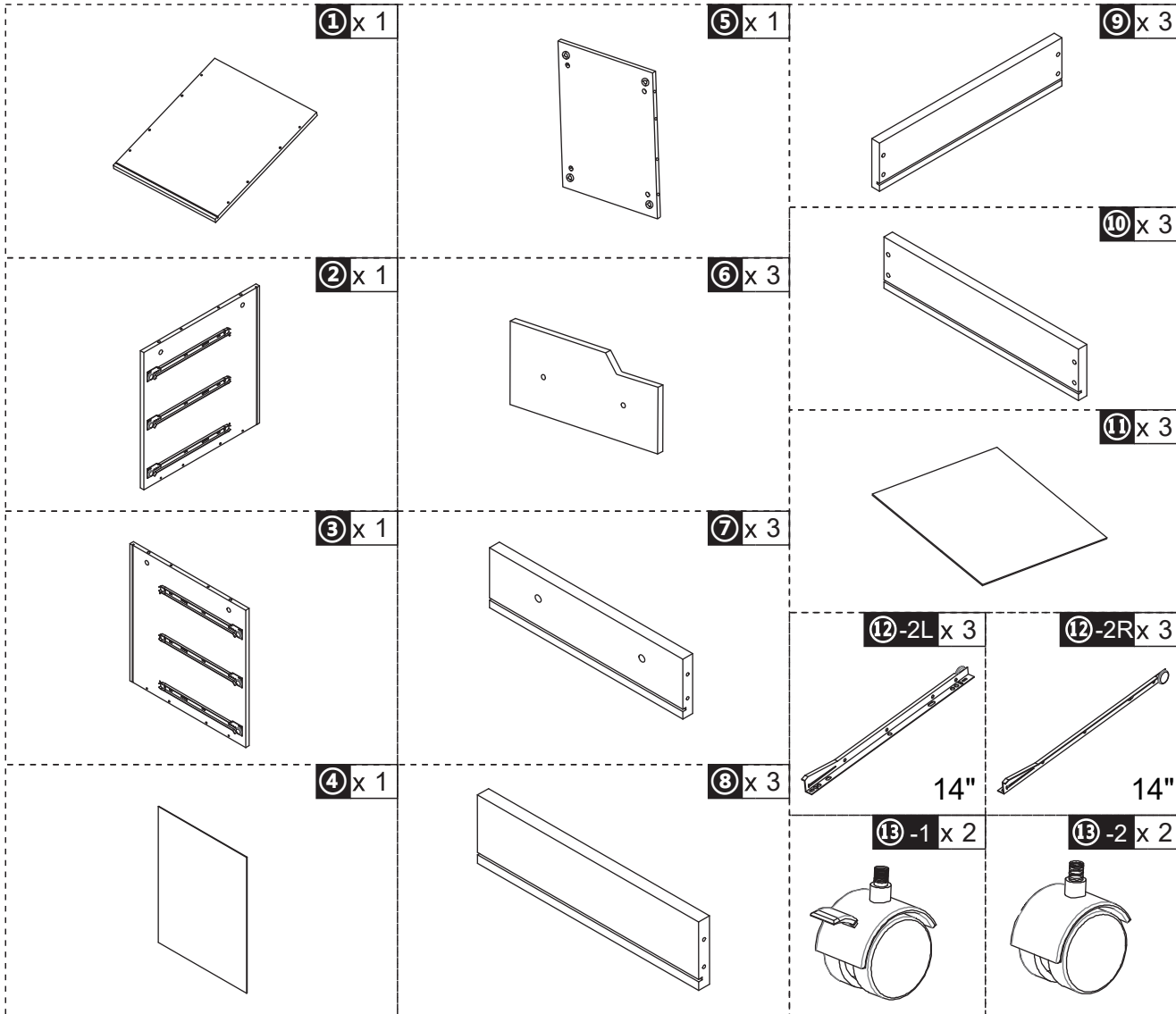
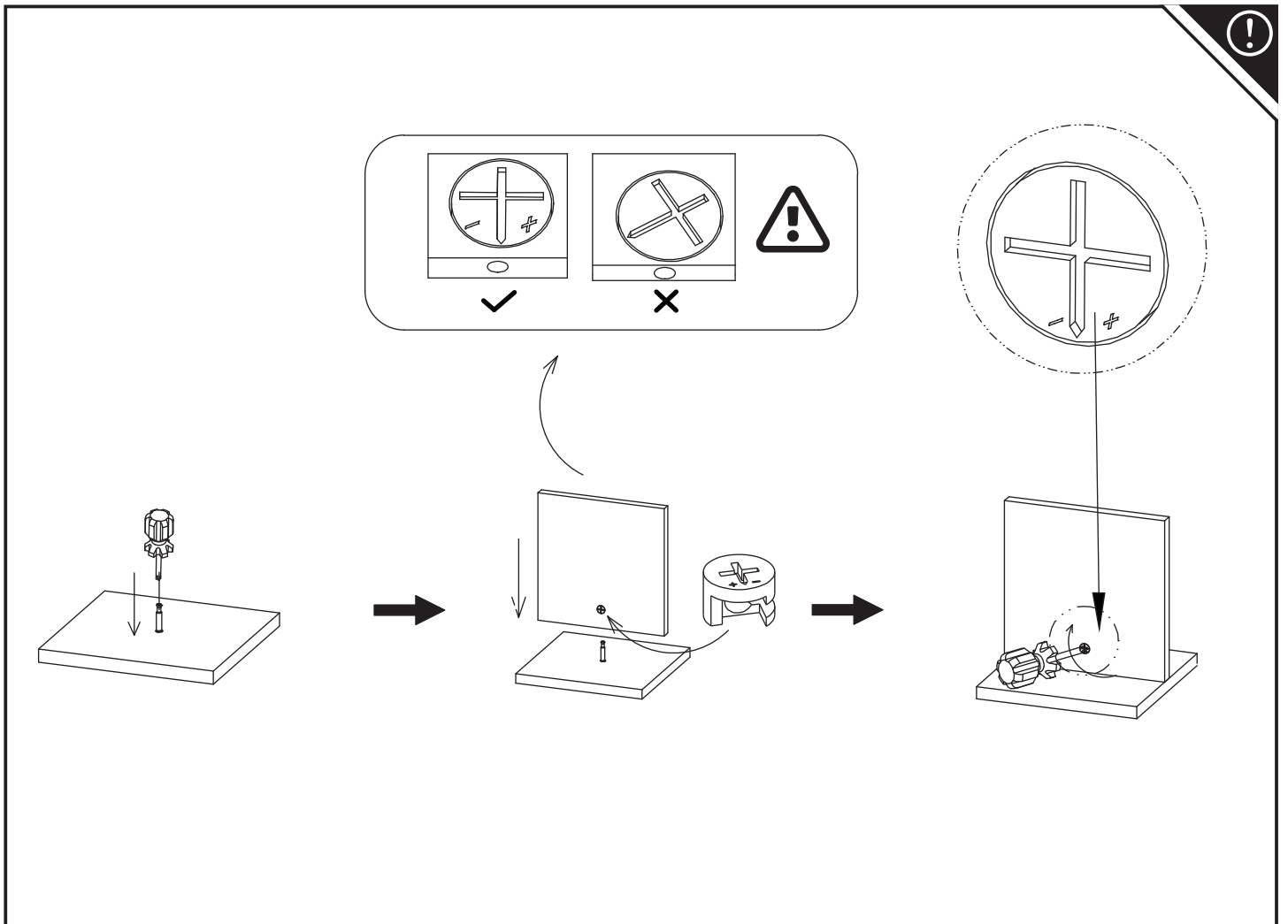
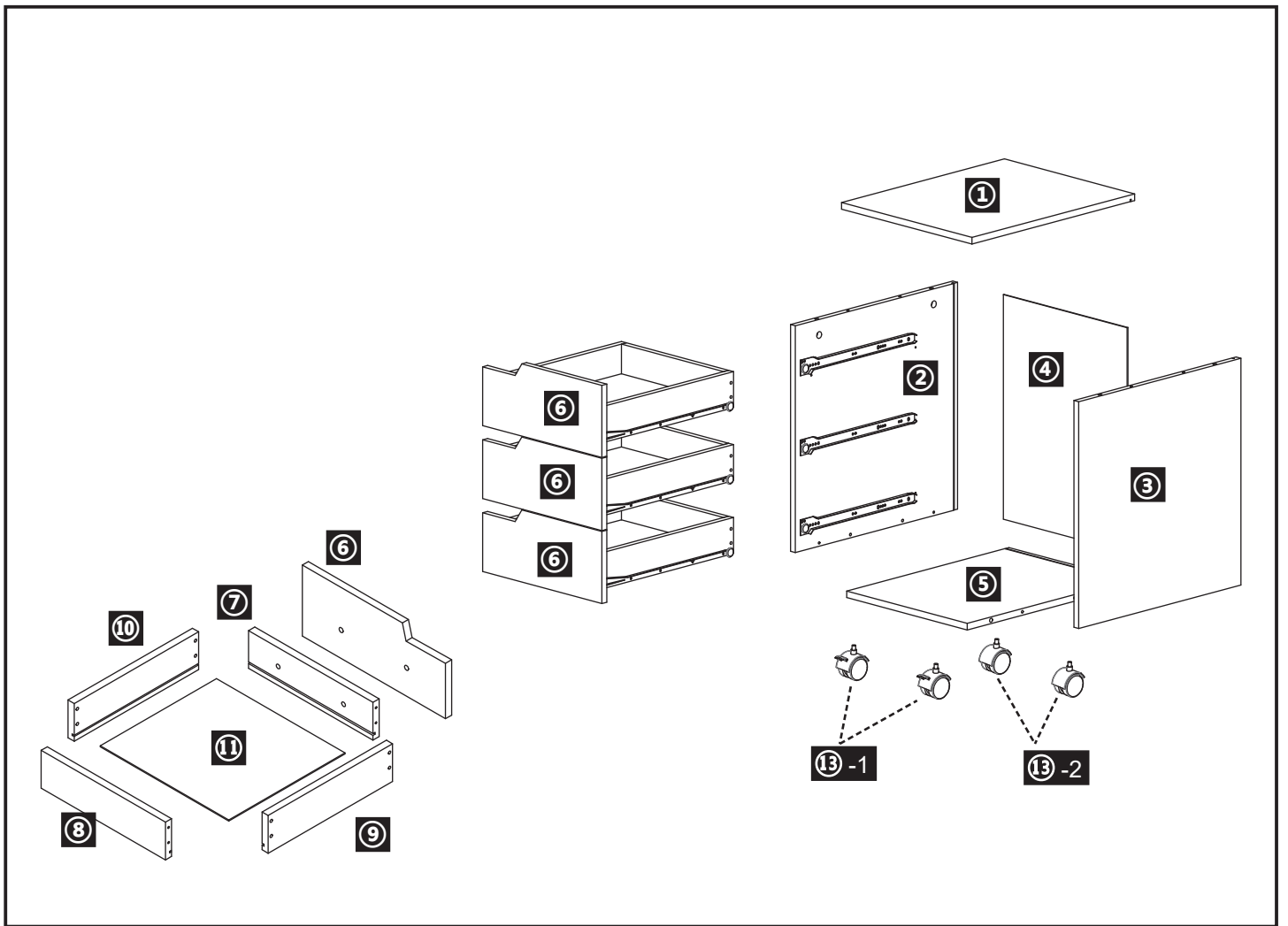


READ AND SAVE THIS INSTRUCTIONS FOR FUTURE USE

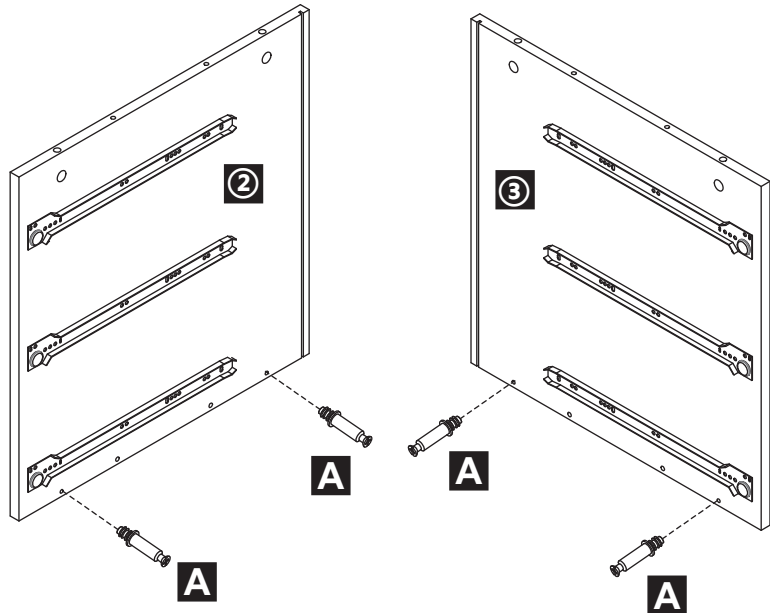
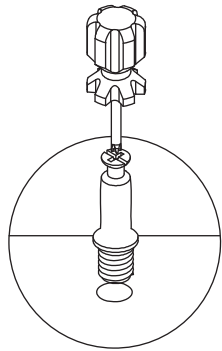
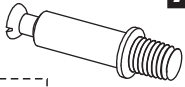
# ASSEMBLY & INSTRUCTION MANUAL





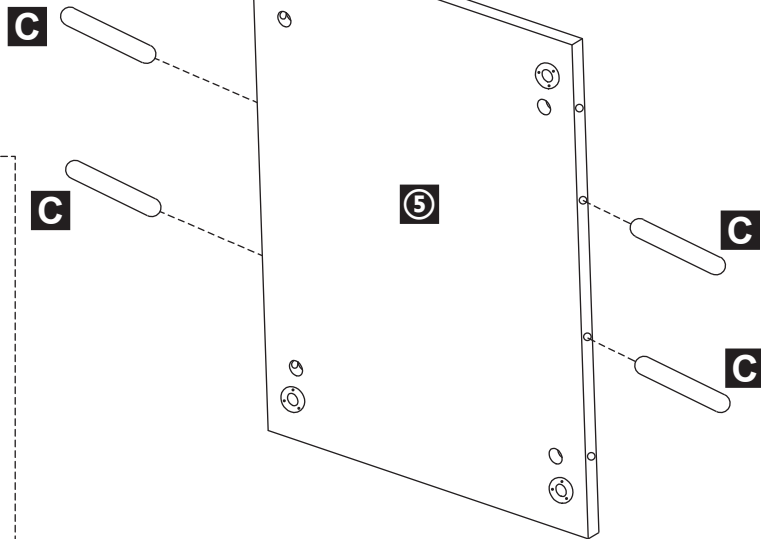
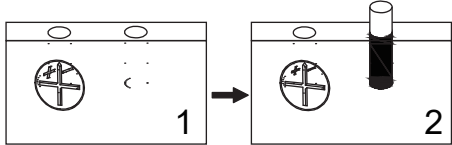
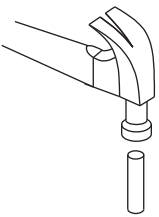
A x 4

M5\*45

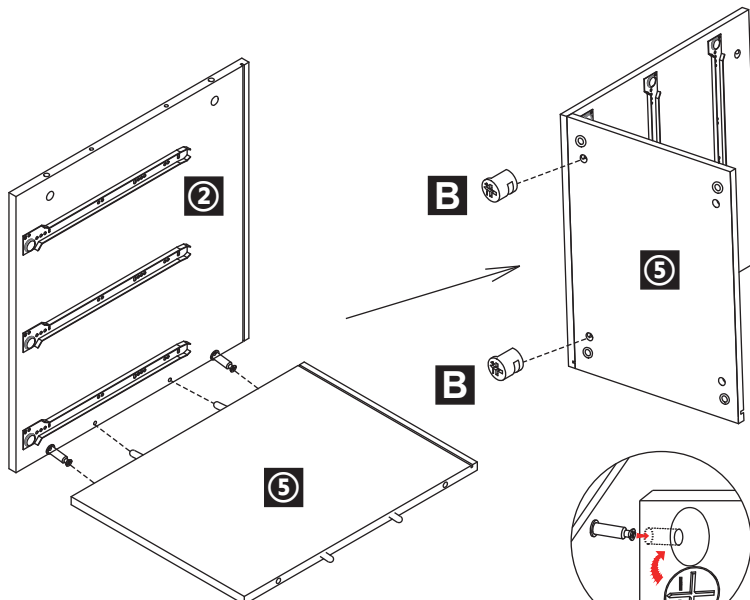


C x 4

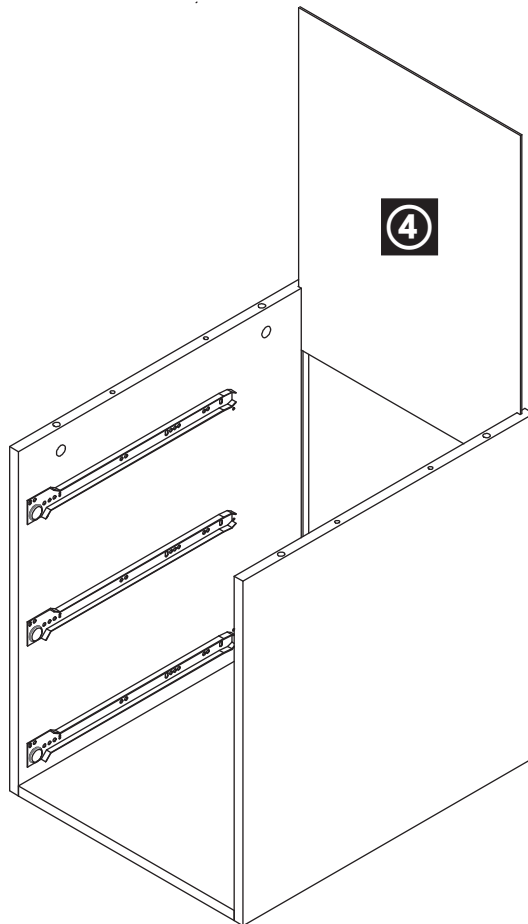
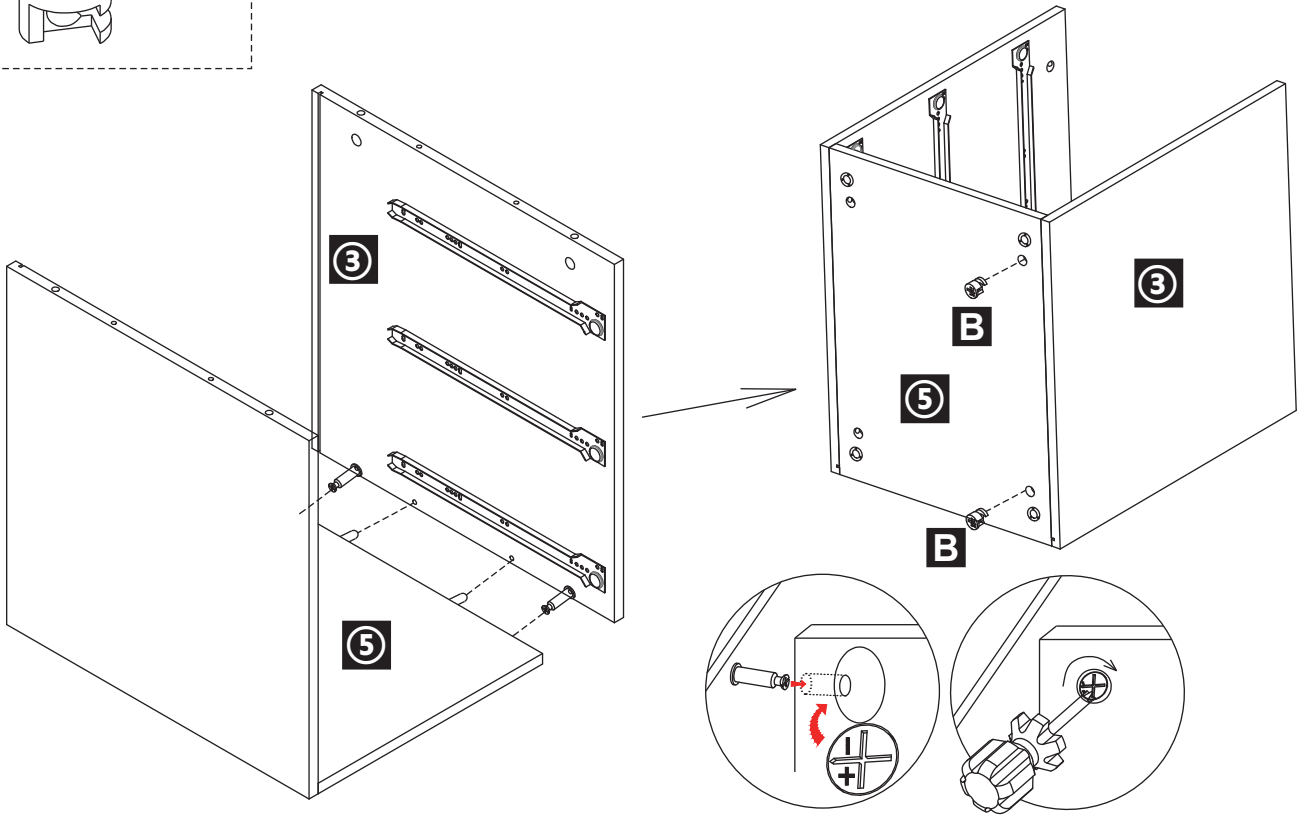
Ø6X40



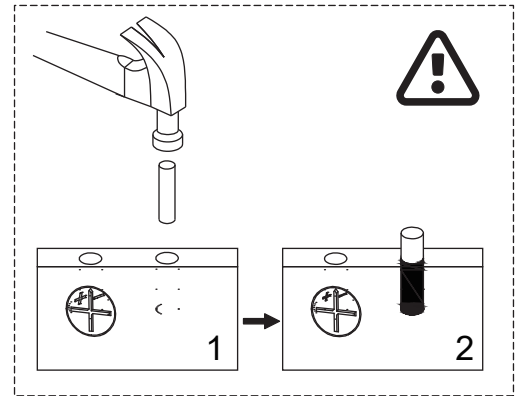
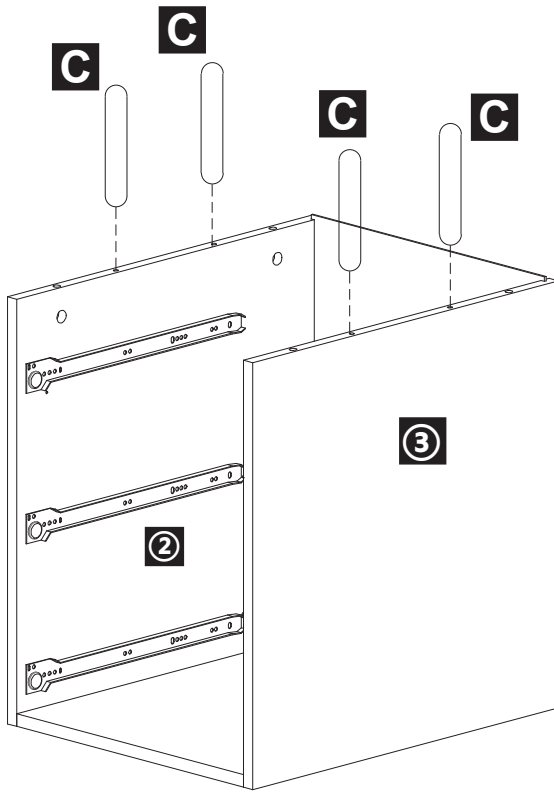
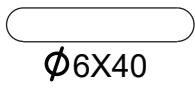
B x 2



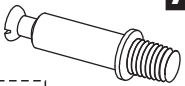
B x 2



C x 4

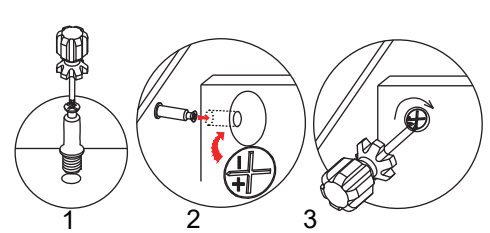
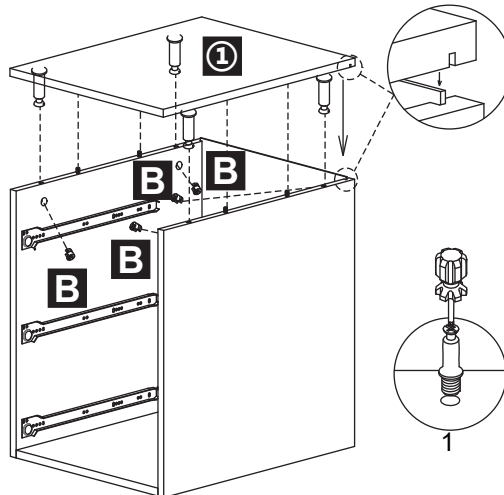
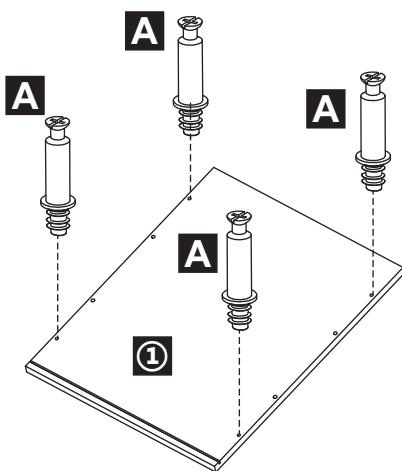


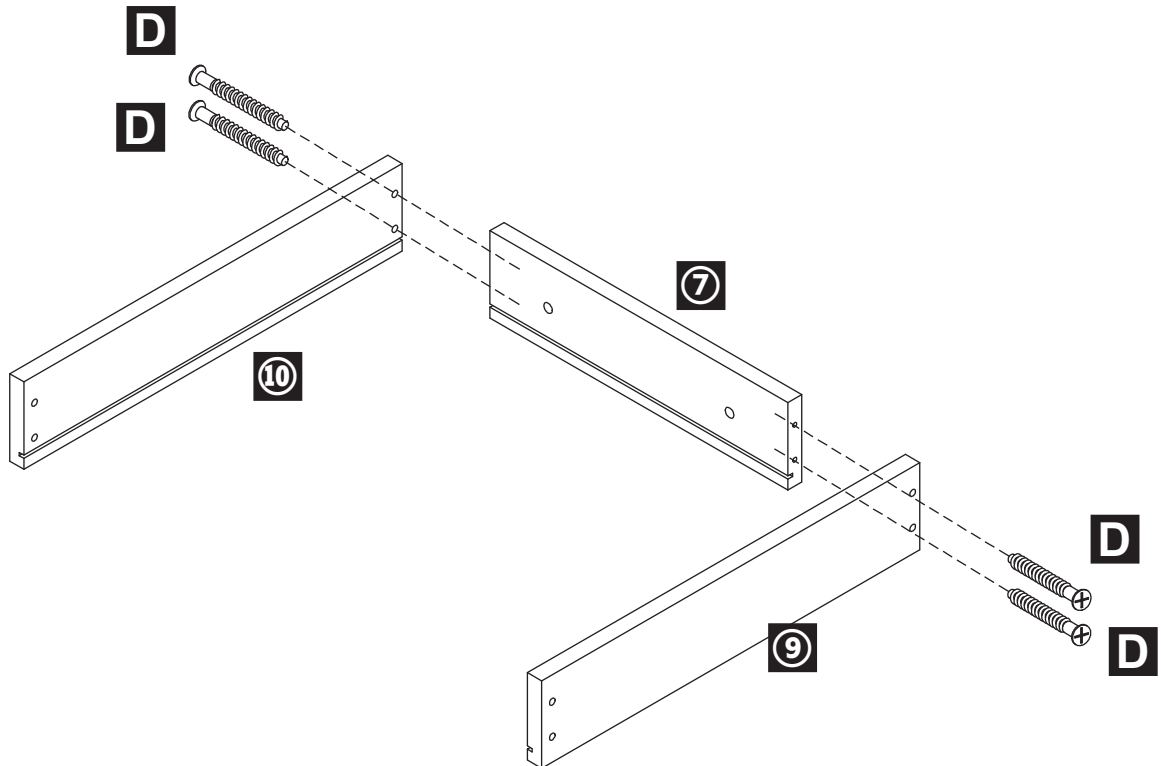
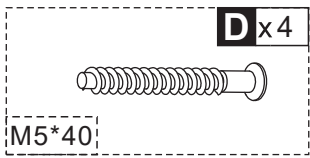
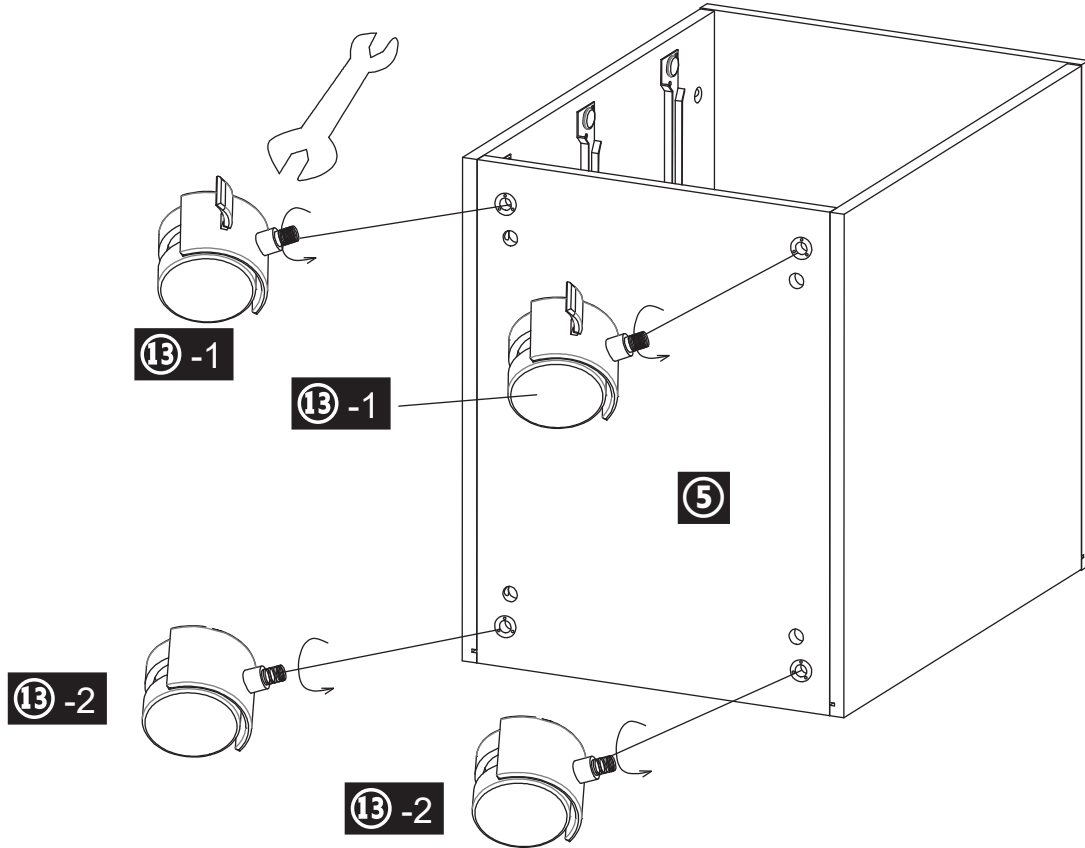
A x 4

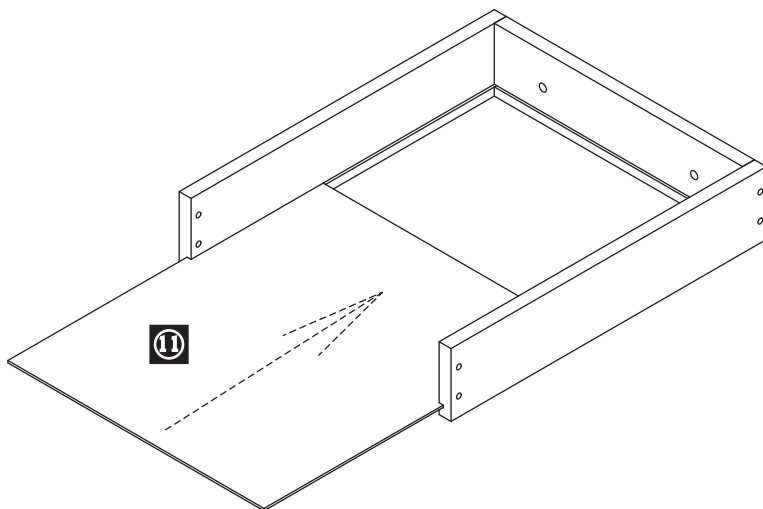


M5\*45

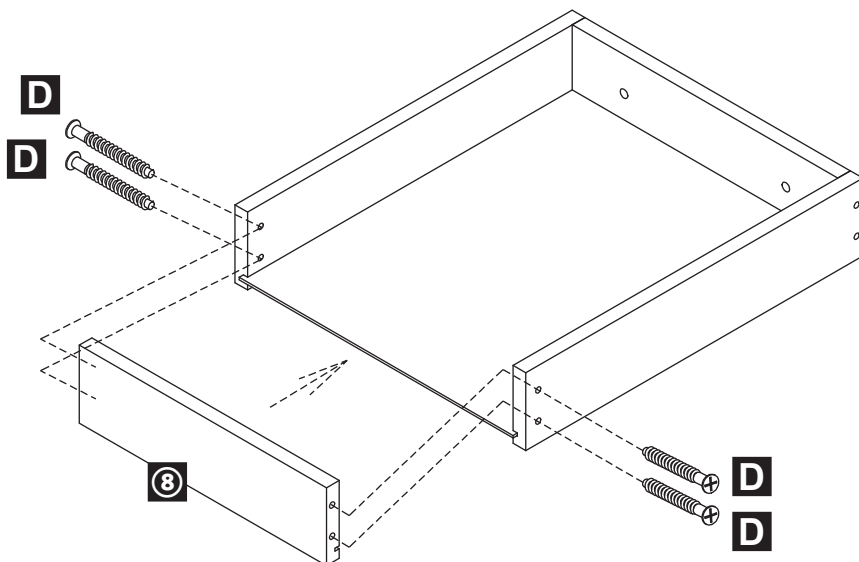
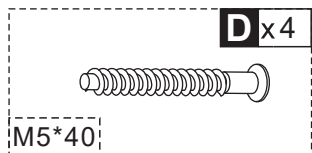
B x 4



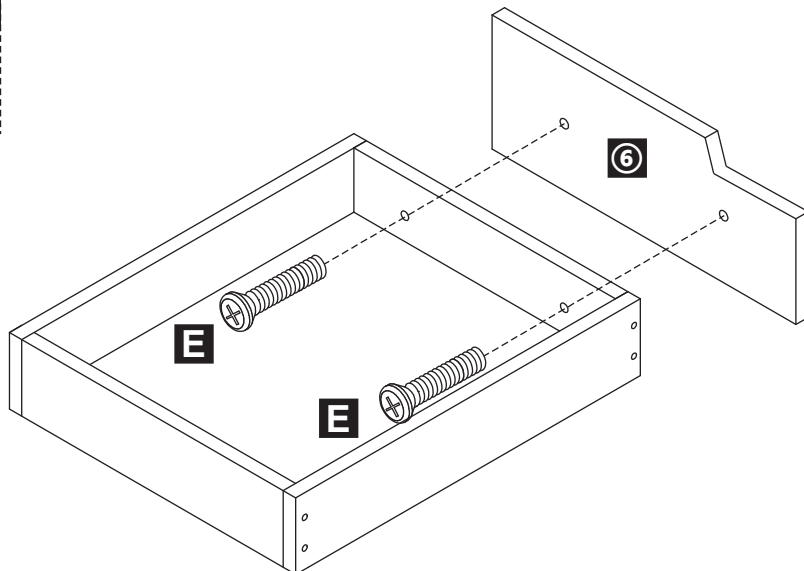
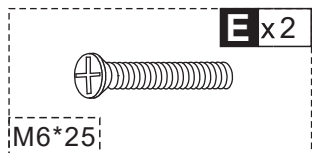




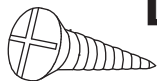
x3



x3

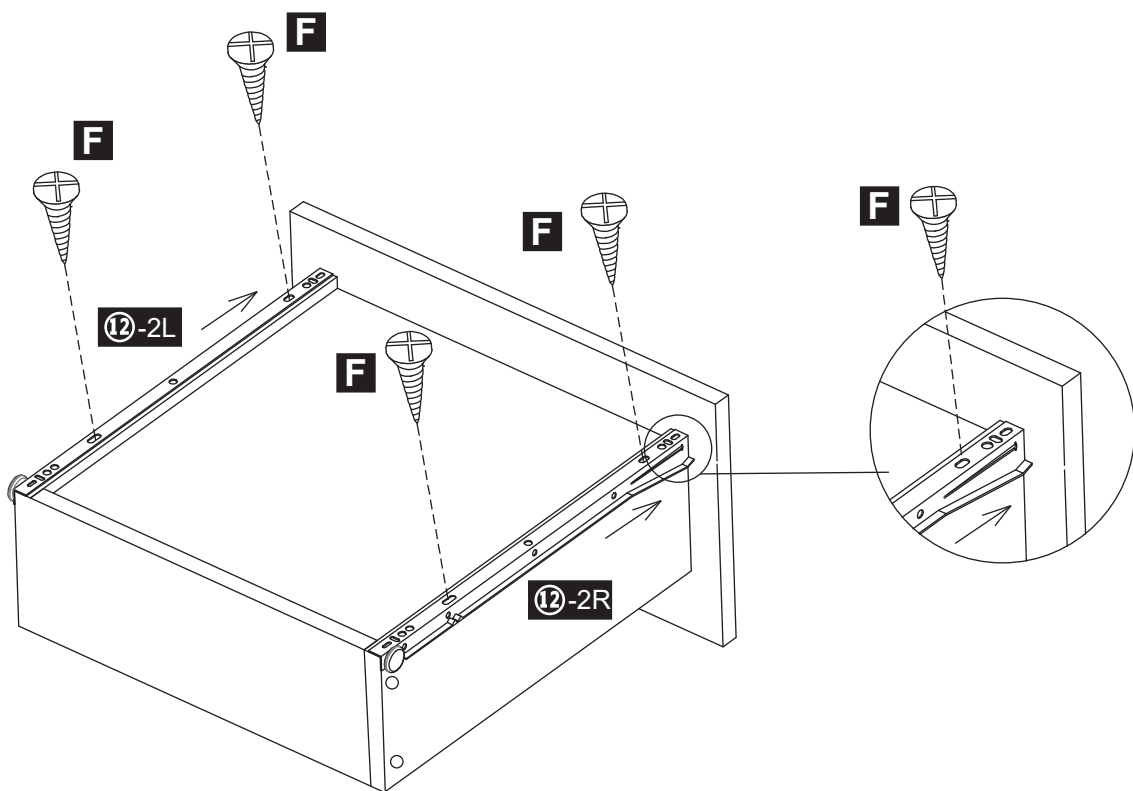


x3

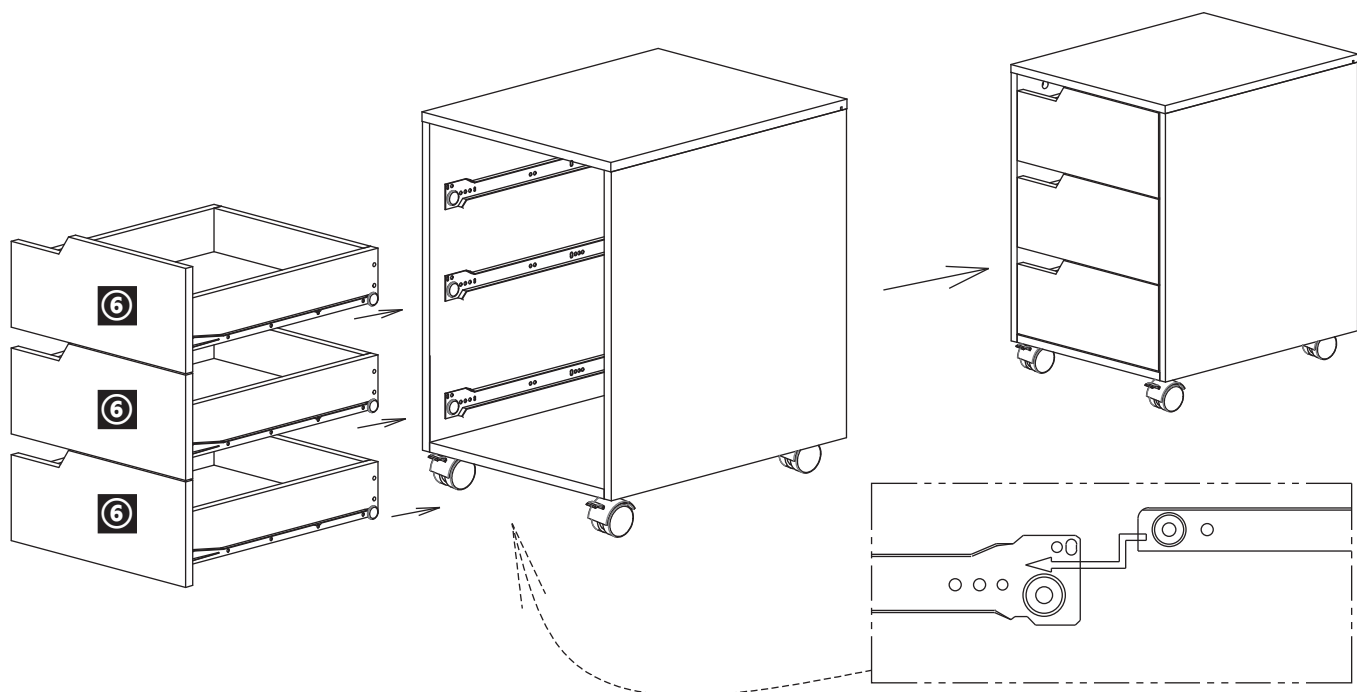


F x 4

M3.5\*14



x3



Done